

Noise Filter Unit

Part Number/Price

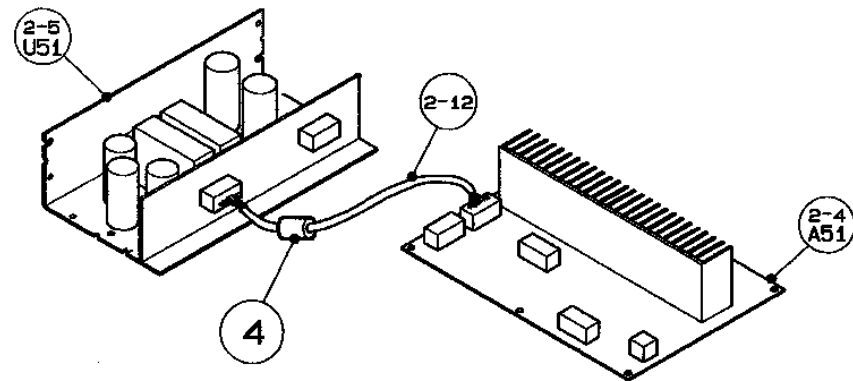
REF #	PART #	DESCRIPTION	QTY	SYNONYM	PRICE
1	Consult	Bracket, filter, noise	1	108-8165-11	\$65.00
2	Consult	Filter, noise	1	023-1640-08	\$213.00
3	Consult	PWB, P-859-1	1	075-1429-08	\$52.00
4	Consult	Filter, ferrite core	5	103-4034-07	\$5.00
5	186522	Filter, ferrite core	1	096-9524-03	\$10.00
7	Consult	Harness, C6, servo supply	1	108-8163-05	\$24.00
8	Consult	Harness, C3, servo power	1	108-8164-09	\$28.00
9	Consult	Harness, S2, ground	1	053-8930-01	\$3.00
10	Consult	Harness, S2, ground	1	052-9807-01	\$3.00

Price and availability confirmation recommended

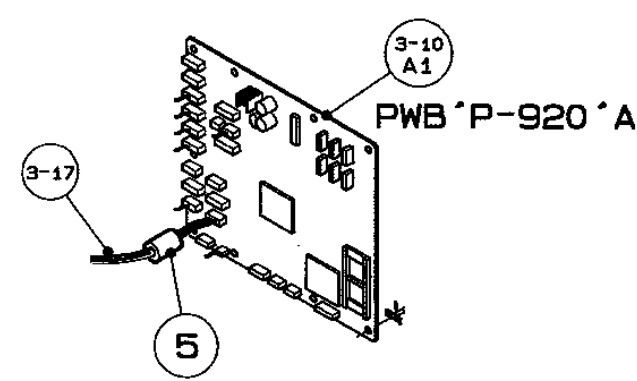
An ISO 9001 Registered Company ©2022 Rice Lake Weighing Systems 1/22 Prices and specifications subject to change without notice. Visit ricelake.com for current prices.

Ishida WM-4000

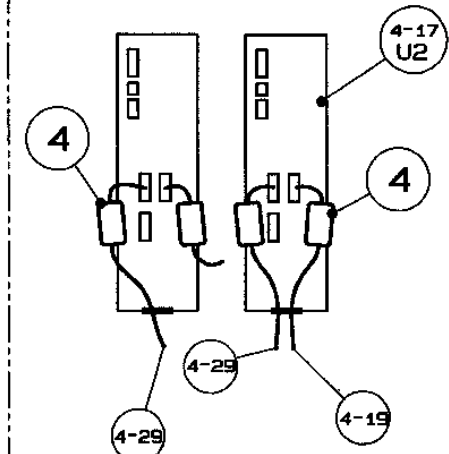
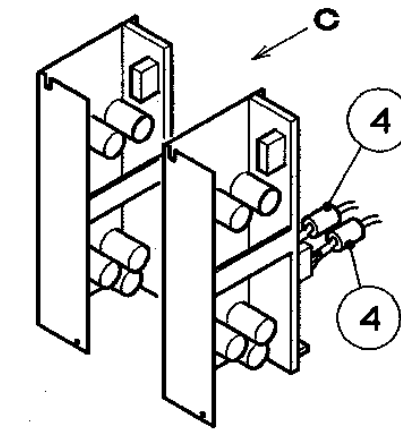
Noise Filter Unit



2 APPLICATOR UNIT::STABILITY FERRITE CORE INSTALLATION

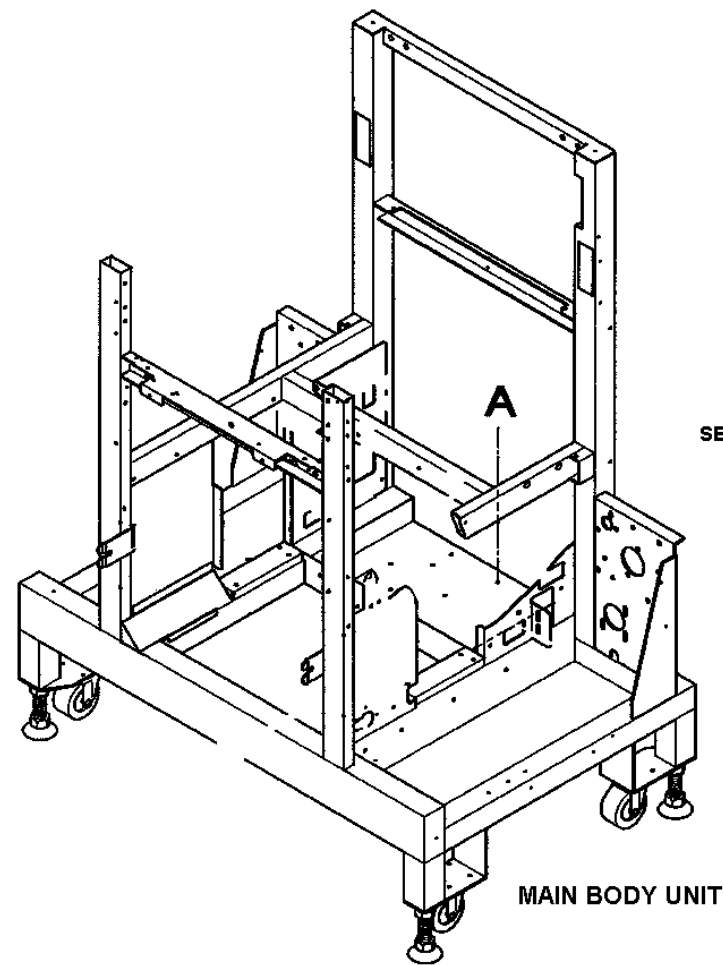


3 WRAPPING CONTROL UNIT FERRITE CORE INSTALLATION

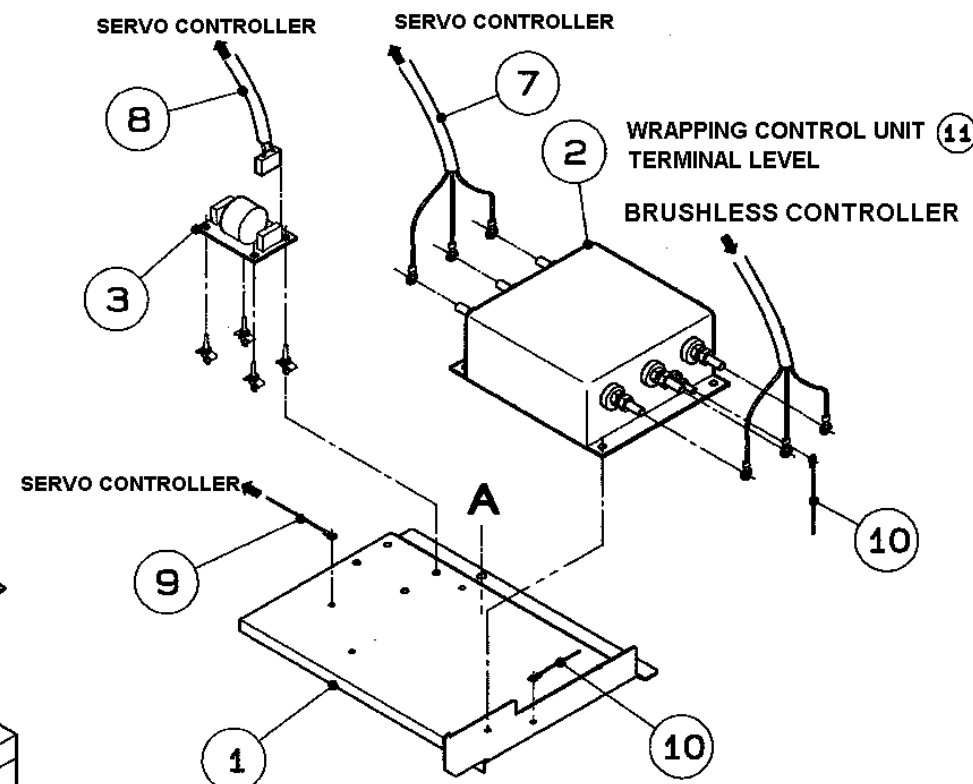


C VIEW DIAGRAM (CONNECTION DIAGRAM)

4 WRAPPING FRAME UNIT FERRITE CORE INSTALLATION



MAIN BODY UNIT



FRONT