

Printer Frame Unit

Part Number/Price

REF #	PART #	DESCRIPTION	QTY	SYNONYM	PRICE
1	Consult	Base, printer, top plate	1	077-4992-50	\$158.00
2	Consult	Frame, applicator base, right	1	078-0757-53	\$65.00
3	Consult	Frame, applicator base, left	1	078-0758-66	\$65.00
5	72899	Switch, push, emergency stop (S5)	1	064-9296-02	\$71.00
9	Consult	Accessory, clamp, LWS clam	3	073-7214-01	\$1.00
10	152168	Photo, interrupter, transmitter, safety, printer door (B62)	1	072-2099-04	\$15.50
11	152169	Photo, interrupter, receiver, safety, printer door (B63)	1	072-2100-05	\$26.50
12	Consult	Accessory, clamp, LWS clam	2	073-7212-04	\$1.00
13	Consult	L plate, cover	1	106-6655-09	\$65.00
14	Consult	Cover, printer, side	1	106-6656-02	\$183.00

Discontinued Products

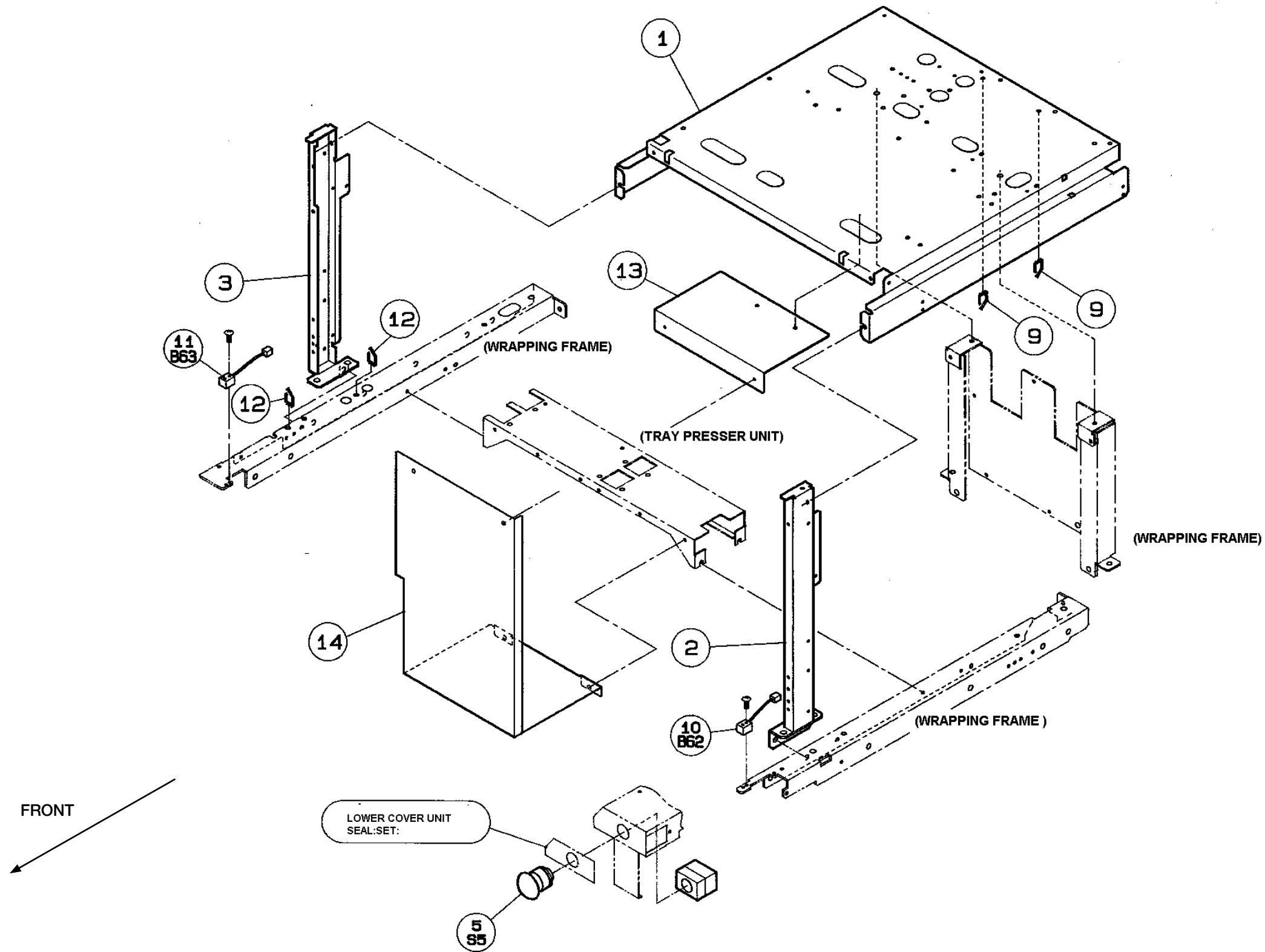
Price and availability confirmation recommended

An ISO 9001 Registered Company ©2022 Rice Lake Weighing Systems 1/22 Prices and specifications subject to change without notice. Visit ricelake.com for current prices.



Ishida WM-4000

Printer Frame Unit



B62 - Printer door safety, transmitter
 B63 - Printer door safety, receiver