

# Printer Unit

## Part Number/Price

REF #	PART #	DESCRIPTION	QTY	SYNONYM	PRICE
1	157915	Shaft, step type	3	091-8678-03	\$11.00
2	157891	Roller, label, hold assy	21	079-8591-03	\$2.50
4	Consult	Frame, hold, long	1	106-6651-13	\$85.00
5	157916	Collar	6	091-8682-18	\$4.50
6	157917	Collar	27	077-4891-20	\$4.50
7	Consult	Frame, hold	1	078-0812-19	\$8.00
8	Consult	Shaft, stock	1	070-9860-21	\$7.00
9	Consult	Bracket, sensor, R	1	078-0813-03	\$4.00
10	Consult	Bracket, sensor, L	1	078-0816-04	\$3.00
11	Consult	Shaft, roller, assist	2	044-3821-17	\$6.00
12	110525	Roller, assist	1	060-8956-04	\$35.00
13	Consult	Plate A, holder	1	072-5075-06	\$5.00
14	Consult	Bracket, assist	2	078-0818-01	\$3.00
15	Consult	Collar spacer	8	059-4384-06	\$1.00
16	Consult	Spring, coil, compressive	4	072-8615-17	\$4.00
17	Consult	Shaft, assist	1	078-0819-05	\$10.00
18	Consult	Bracket, assist, upper	1	078-0820-19	\$5.00
19	Consult	Spring, coil	1	078-0821-12	\$4.00
20	Consult	L plate A	1	078-0822-07	\$2.00
21	Consult	L plate A, press	1	078-0823-01	\$2.00
22	Consult	Collar spacer	1	027-6196-08	\$1.00
23	Consult	Spring, coil, compressive	4	072-5278-14	\$4.00
24	Consult	Roller, assist	1	069-4967-06	\$16.00
25	Consult	Spring, plate	1	075-5774-08	\$9.00
26	Consult	Guide, printer, cassette	1	075-5709-05	\$9.00
27	Consult	Roller, pole	1	011-0853-07	\$5.00
28	Consult	Collar, step	1	076-7629-05	\$12.00
29	Consult	Shaft guide, label	1	078-0824-04	\$9.00
30	Consult	Guide, label	1	078-0987-17	\$5.00
31	Consult	Guide, label	2	068-5048-46	\$7.00
32	Consult	Collar spacer	2	005-4287-03	\$1.00
33	Consult	Shaft label	2	078-0825-08	\$6.00
34	Consult	Roller guide	1	078-0991-03	\$3.00
35	Consult	Bracket, guide, label	1	078-0826-11	\$5.00
36	Consult	Gear, flat	1	076-1780-03	\$6.00
37	153085	Motor assy, stepping (M100)	1	092-8406-04	\$73.50
38	Consult	Bracket, motor	1	078-0827-23	\$18.00
39	Consult	Motor assy, take up (M101)	1	072-5467-21	\$85.00
40	153086	Gear, flat	1	047-0630-04	\$8.00
41	Consult	Plate A, motor, DC	1	078-0828-09	\$2.00
42	Consult	Rail, slide	2	076-7658-03	\$35.00
43	Consult	Catch, magnet	1	079-1224-01	\$12.00
44	Consult	Collar, label	4	079-8952-04	\$2.00
45	Consult	Bracket, plate, R	1	090-5240-26	\$24.00
46	Consult	Timing pulley, S3M, C	2	073-7220-04	\$20.00
47	125887	Timing belt, S3M, printer roller drive	1	068-5306-01	\$11.00
48	115144	Roller, print	2	075-1288-00	\$20.00
49	Consult	Cover, belt	1	078-0830-43	\$6.00
50	187458	Shaft, peel	1	090-5345-05	\$16.50
51	Consult	Shaft, idler	1	078-0831-10	\$7.00
52	Consult	Bracket, plate L, assy	1	078-0832-04	\$35.00
53	Consult	Shaft, stock	1	070-9862-38	\$7.00
54	Consult	Gear, flat	1	076-1778-05	\$18.00
55	93355	Bush	4	064-0201-24	\$4.50

Price and availability confirmation recommended

An ISO 9001 Registered Company ©2022 Rice Lake Weighing Systems 1/22 Prices and specifications subject to change without notice. Visit [ricelake.com](http://ricelake.com) for current prices.

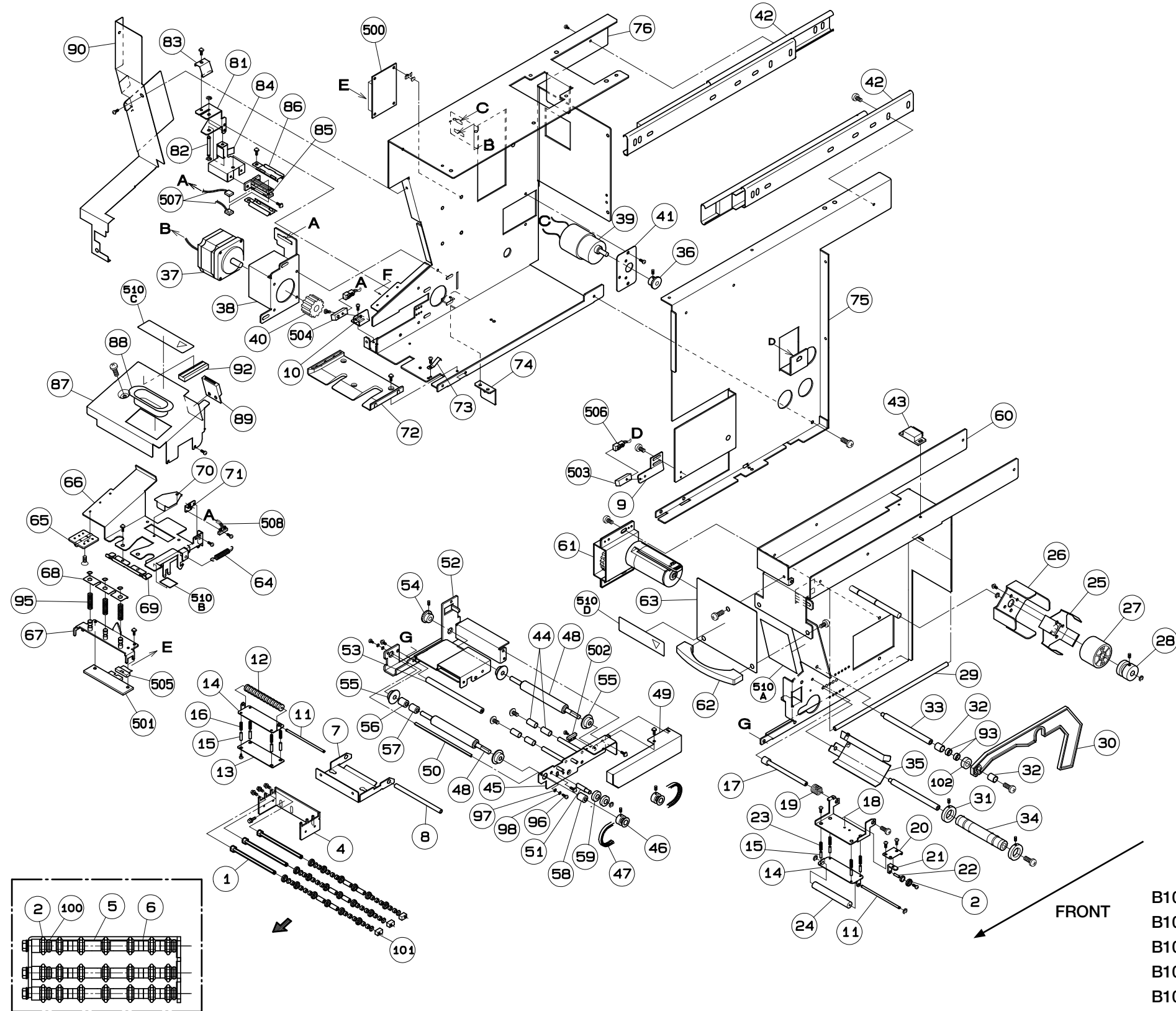
# Printer Unit

## Part Number/Price

REF #	PART #	DESCRIPTION	QTY	SYNONYM	PRICE
56	Consult	Bush	1	075-1324-01	\$4.00
57	Consult	Bush	1	075-1325-04	\$4.00
58	Consult	Bush	1	075-1321-00	\$4.00
59	172643	Bearing, radial	2	065-6920-00	\$3.50
60	Consult	Frame, printer	1	079-1006-51	\$139.00
61	126451	Reel unit assy	1	072-5283-04	\$77.00
62	Consult	Lug	1	048-3935-08	\$8.00
63	Consult	Cover, front	1	078-0837-21	\$5.00
64	172652	Spring, coil, compressive	1	079-1005-20	\$5.50
65	Consult	Hinge	1	013-9941-09	\$21.00
—	Consult	Screw, counter sink, M3x8	6		Consult
66	169768	Bracket assy, printer	1	078-0997-41	\$24.00
67	Consult	Bracket, printer, thermal	1	078-0996-20	\$16.00
68	Consult	L plate A, spring, support	1	078-0994-04	\$3.00
69	Consult	Stay, head, thermal	1	078-0993-29	\$3.00
70	Consult	Plate B, press head	1	078-0992-16	\$5.00
71	Consult	Bracket, switch, head	1	078-0836-09	\$4.00
72	Consult	Guide, printer, lower	1	078-0986-04	\$6.00
73	Consult	Crank plate A, spring	1	091-2164-04	\$3.00
74	Consult	L plate, printer, lower	2	076-1951-03	\$2.00
75	Consult	Frame, printer, R	1	078-0839-28	\$118.00
76	Consult	Frame, printer, L	1	078-0843-32	\$156.00
81	167123	Bracket, printer, sensor	1	079-1226-17	\$4.50
82	167124	Shaft	1	072-5079-29	\$4.50
83	167125	Spring, plate	1	079-1227-01	\$9.00
84	167126	Bracket, sensor	1	072-5086-43	\$7.00
85	167127	Holder, sensor	1	076-1988-01	\$2.50
86	167128	Cover, sensor	2	078-0984-16	\$3.50
87	Consult	Cover, head	1	078-0840-31	\$20.00
88	Consult	Lug	1	073-5832-06	\$4.00
89	159595	Catch, magnet	1	072-8605-01	\$4.50
90	Consult	Cover, side	1	078-0841-35	\$48.00
92	Consult	Gasket	1	065-1825-01	\$3.00
93	Consult	Collar spacer	2	041-1695-06	\$1.00
95	172667	Spring, coil, compressive	3	072-8616-01	\$4.50
96	187470	Screw, cross pan head	2	090-5431-02	\$1.50
97	187471	Plain washer	2	090-5432-06	\$1.50
98	187472	Spring washer	2	090-5433-00	\$1.50
100	187473	Collar B	6	079-8972-09	\$11.00
101	187474	Block A, assist	3	091-8679-07	\$8.00
102	187475	Collar A	1	095-9235-00	\$15.50
500	98652	PWB, P-925-1, thermal print head junction board (A180)	1	068-9930-19	\$43.00
501	87531	Printer head, thermal (E180)	1	094-0086-01	\$245.50
502	105979	Magnet, green, head up proximity switch (B101)	1	067-2609-01	\$16.50
503	87534	Photo interruptor, trans, peel sensor, right (B104)	1	064-5587-01	\$11.50
—	189088	Screw, mount, phillips pan head, M2x4 SST	4	000-000-0067-00	\$1.00
504	87535	Photo interruptor, trans, receive, peel sensor, left (B105)	1	066-4500-09	\$11.50
505	112867	Harness, C2, thermal head	1	071-4583-38	\$57.00
506	132029	Harness, C2, sensor junction	1	071-4549-31	\$4.50
507	102190	Sensor assy, label gap sensor (B102, B103)	1	098-8086-00	\$29.50
508	105978	Sensor assy, head up (B100)	1	098-8087-12	\$27.50
510	Consult	Sheet, set, printer	1	106-6698-09	\$48.00

# Ishida WM-4000

Printer Unit



- B100 - Head up proximity sensor assy
- B101 - Head up proximity switch, magnet, green
- B102 - Label gap sensor assy, receiver, black
- B103 - Label gap sensor assy, emitter, red
- B104 - Peel sensor, transmitter, right
- B105 - Peel sensor, receiver, left