

Stock Conveyor Unit

Part Number/Price

REF #	PART #	DESCRIPTION	QTY	SYNONYM	PRICE
1	Consult	Bracket, stock	1	076-1725-26	\$71.00
2	Consult	Supporter, stock	1	076-1722-25	\$17.00
3	Consult	Bush	4	030-2991-06	\$2.00
4	Consult	Shaft, stock, fulcrum	1	076-1723-01	\$12.00
5	Consult	Stay, stock	1	076-1724-31	\$90.00
6	Consult	Frame, stock	1	076-1743-32	\$109.00
7	Consult	Frame, stock	1	076-1744-36	\$109.00
8	Consult	Stay, stock, lower	1	076-1737-21	\$35.00
9	Consult	Shaft, stock	4	076-1746-15	\$19.00
10	156690	Stopper, tray	1	076-1733-26	\$107.00
12	Consult	Adjuster, stock	1	076-1735-23	\$52.00
13	Consult	Adjuster, stock	1	076-1736-27	\$52.00
14	Consult	Shaft	6	076-7814-08	\$16.00
15	187408	Roller, textured	6	037-7887-10	\$48.00
16	Consult	Cover, roller, stock	1	077-4522-16	\$17.00
17	Consult	Cover, roller, stock	1	077-4523-10	\$17.00
18	157862	Roller	8	001-5308-02	\$41.50
19	Consult	Holder, roller	2	076-1745-21	\$15.00
20	Consult	Bracket, stopper, fulcrum	1	076-1721-12	\$27.00
21	Consult	Shaft, stopper, fulcrum	1	076-1720-00	\$9.00
22	185561	Stopper, stock	1	076-1719-23	\$119.00
23	Consult	Bracket, sensor	1	076-1739-28	\$17.00
24	Consult	Rubber pad, with washer	3	062-7341-05	\$2.00
25	157856	Photo interruptor, trans, conveyor up/down, black conn. (B310)	1	070-5205-18	\$12.00
26	72407	Sensor assy, conveyor full (B311)	1	076-9523-11	\$179.00
27	Consult	Harness, S2, ground	1	076-9602-11	\$4.00
28	Consult	Accessory, clamp, LWS clamp	2	073-7212-04	\$1.00
29	Consult	Accessory, bush, open lock	1	003-3135-02	\$2.00
32	Consult	Lug, handle insert	1	076-9693-01	\$3.00
33	Consult	Seal, signal, caution	2	054-2104-15	\$2.00

Price and availability confirmation recommended

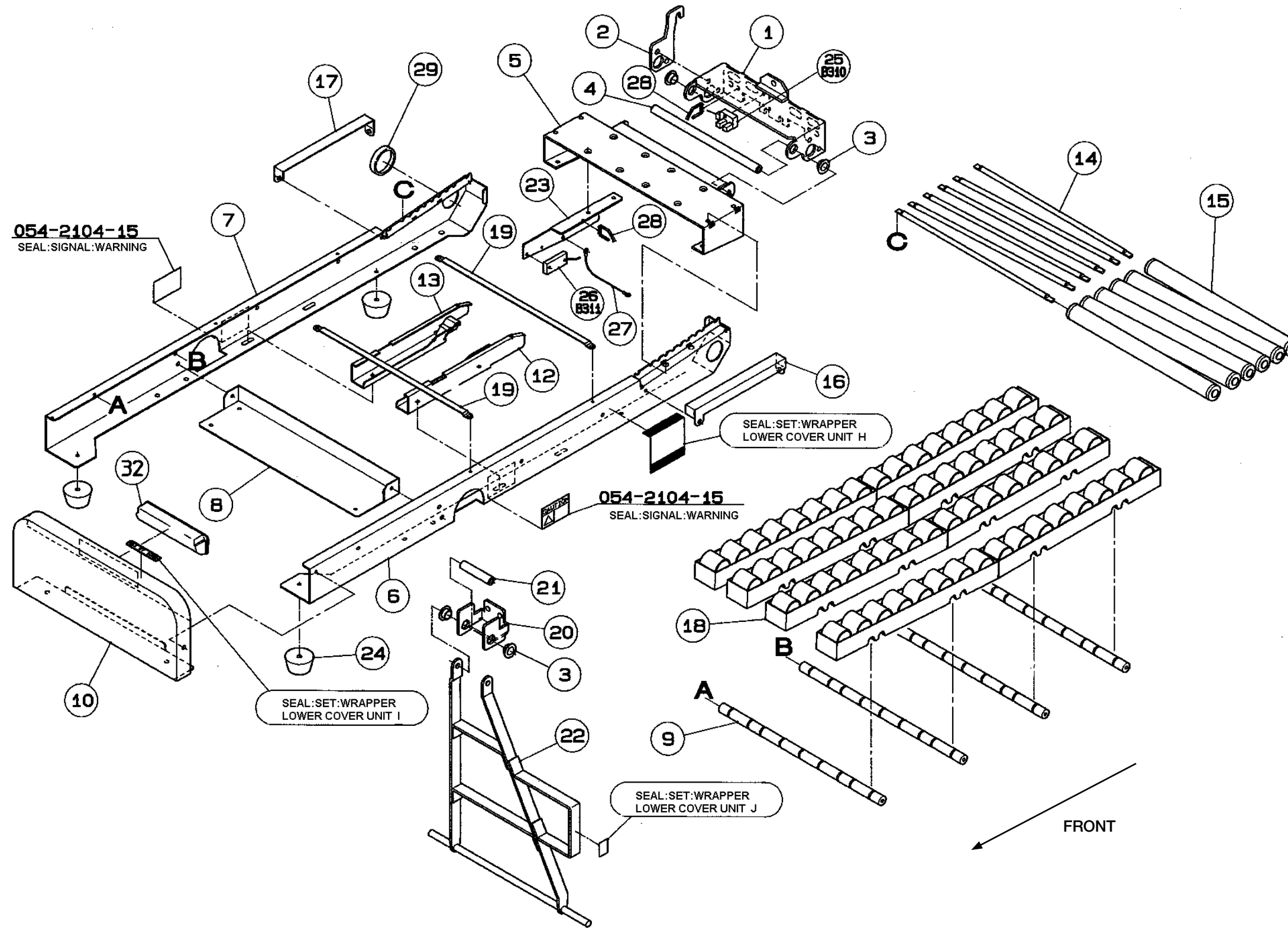
An ISO 9001 Registered Company ©2022 Rice Lake Weighing Systems 1/22 Prices and specifications subject to change without notice. Visit ricelake.com for current prices.

RICE LAKE
WEIGHING SYSTEMS

Discontinued Products

Ishida WM-4000

Stock Conveyor Unit



B310 - Conveyor up/down
 B311 - Conveyor full