

Wrapper Main Body Unit

Part Number/Price

REF #	PART #	DESCRIPTION	QTY	SYNONYM	PRICE
3	Consult	Collar	6	079-3054-01	\$6.00
4	84792	Bearing, radial, deep groove	6	051-4933-02	\$13.50
5	Consult	Bracket, amp, servo	1	079-3265-29	\$28.00
6	99030	Controller, driver, servo, lift (E1)	1	092-2515-05	\$1,187.50
7	Consult	Harness, C10, infeed	1	079-3409-28	\$128.00
8	157895	Relay, solid state (K7)	1	073-7118-07	\$33.00
9	Consult	Cover, frame, main body	1	072-2467-66	\$45.00
10	Consult	Cover, frame, main body	1	072-2468-60	\$45.00
11	Consult	Cover, main body, lower	1	091-0513-12	\$52.00
12	Consult	Accessory, clamp, LWS clamp	17	073-7214-01	\$1.00
13	Consult	Accessory, clamp, LWS clamp	13	073-7215-05	\$1.00
14	72857	Fuse holder, terminal type	1	000-4119-04	\$10.00
15	72856	Fuse holder, terminal type	1	040-2724-07	\$10.00
16	99133	Fuse, glass tube, 250V 8A (F7, F8)	2	017-5713-01	\$2.50
18	99031	Motor, servo, lift (M1)	1	092-2516-09	\$532.00
19	Consult	Switch, actuator, draw	1	079-3033-12	\$6.00
20	Consult	Accessory clamp, CKS clamp	2	052-4732-08	\$3.00
21	Consult	Accessory clamp, CKS clamp	1	032-9012-00	\$2.00
22	Consult	Frame, motor, feeder	1	079-3266-41	\$45.00
23	Consult	Bracket, frame, change	2	101-1522-02	\$9.00
24	186547	Filter, ferrite	1	044-2730-09	\$10.00

Price and availability confirmation recommended

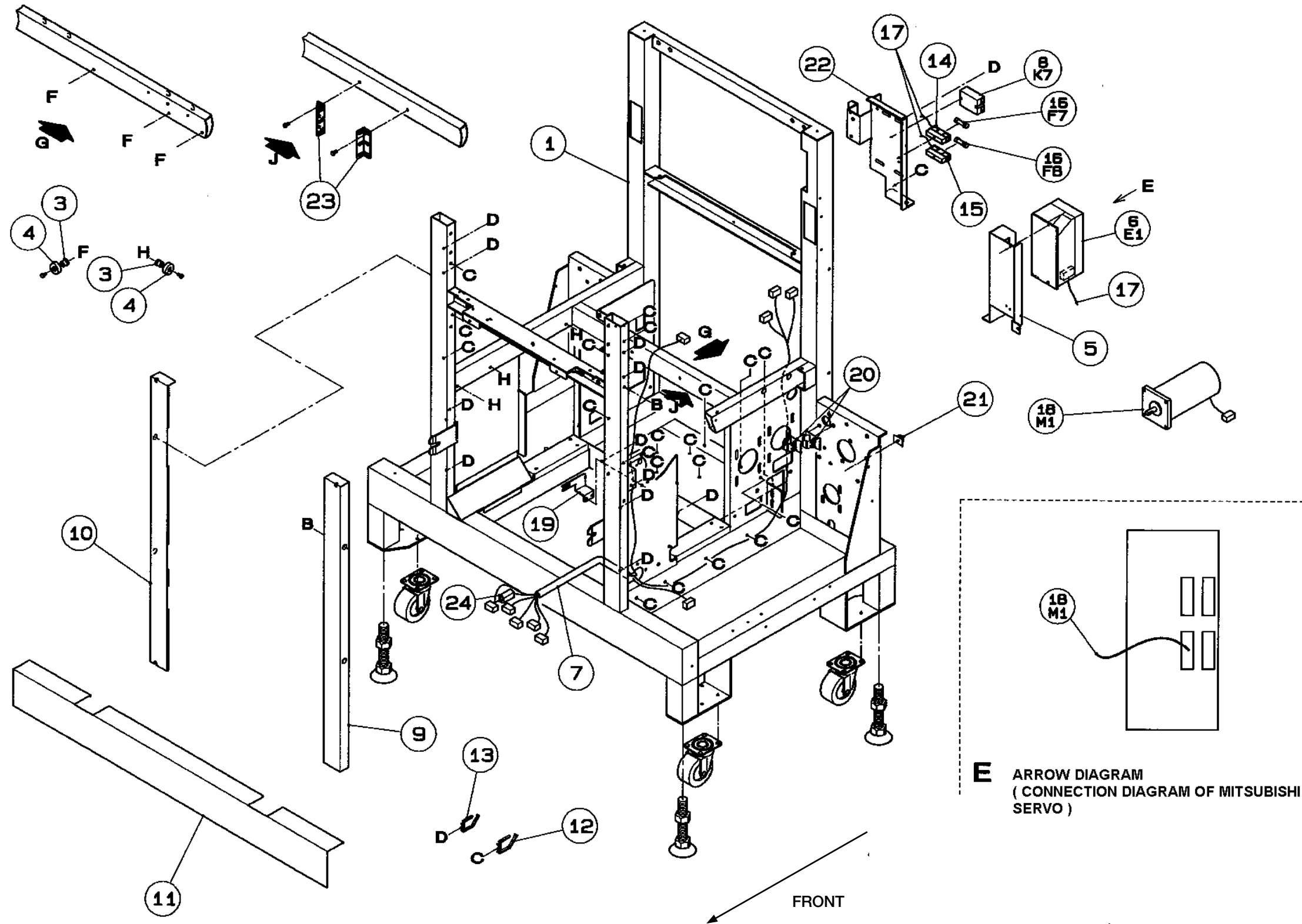
An ISO 9001 Registered Company ©2022 Rice Lake Weighing Systems 1/22 Prices and specifications subject to change without notice. Visit ricelake.com for current prices.

RICE LAKE
WEIGHING SYSTEMS

Discontinued Products

Ishida WM-4000

Wrapper Main Body Unit



E ARROW DIAGRAM
(CONNECTION DIAGRAM OF MITSUBISHI
SERVO)