

# Wrapping Front/Rear Unit

## Part Number/Price

REF #	PART #	DESCRIPTION	QTY	SYNONYM	PRICE
1	Consult	Shaft, drive, R stop	1	069-2340-13	\$52.00
2	108171	Block B, slide, fold	2	076-3392-09	\$10.00
3	Consult	Detect plate R fold	1	070-5343-19	\$4.00
4	Consult	Block A, link fold	1	069-2355-00	\$12.00
5	Consult	Arm R stop	2	069-2356-40	\$55.00
6	Consult	Block B, link, drive	1	090-0949-06	\$11.00
7	Consult	Plate B, link, fold	2	090-0995-08	\$7.00
8	157951	Plate B, R fold	1	098-3272-17	\$214.00
9	Consult	Plate B, motor, R fold	1	070-5341-02	\$22.00
10	89101	Bush	8	002-5807-01	\$6.00
11	157949	Bush	2	042-4847-31	\$36.00
12	83314	Collar	2	042-4848-16	\$7.00
13	Consult	Collar	2	002-7306-00	\$5.00
14	Consult	Motor, DC brushless (M6)	1	101-1710-06	\$191.00
15	Consult	Gear head	1	070-5253-08	\$148.00
16	108172	Pin, step, fold	2	073-7117-03	\$10.00
17	157898	Shaft, step, R fold	1	098-3136-13	\$35.00
18	157950	Holder, shaft	2	098-3131-06	\$4.50
19	104239	Photo interrupter, transmitter, home position, white conn. (B6)	1	070-5204-14	\$10.00

Price and availability confirmation recommended

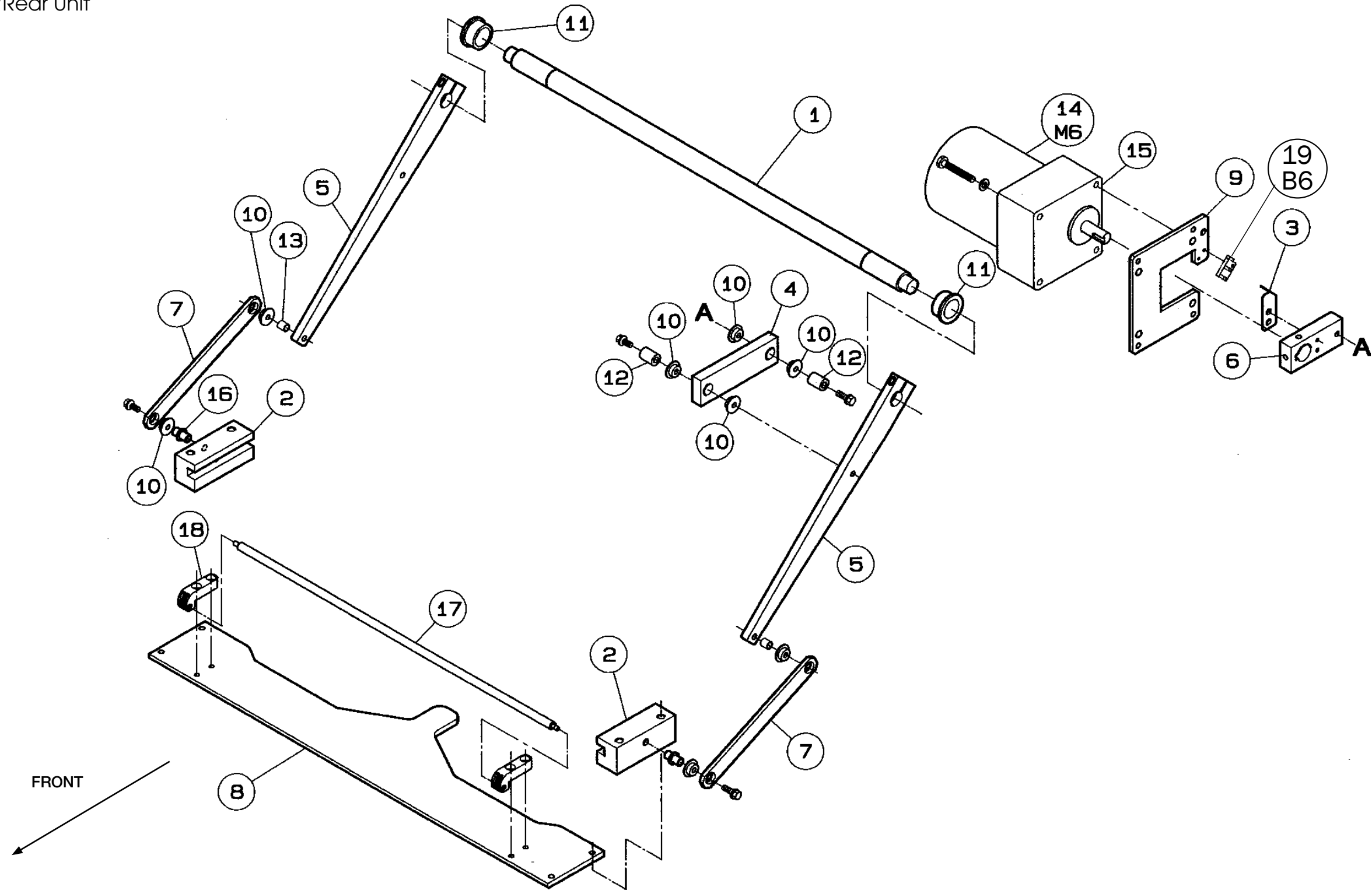
An ISO 9001 Registered Company ©2022 Rice Lake Weighing Systems 1/22 Prices and specifications subject to change without notice. Visit [ricelake.com](http://ricelake.com) for current prices.

**RICE LAKE**  
WEIGHING SYSTEMS

Discontinued Products

# Ishida WM-4000

Wrapping Front/Rear Unit



B6 - Rear folder home position