

Applicator Unit

Part Number/Price

REF #	PART #	DESCRIPTION	QTY	SYNONYM	PRICE
1	Consult	Bracket, applicator, X1	1	000-145-9825-05	Consult
2	193550	Shaft, linear, X1	2	000-108-0300-37	Consult
3	172606	Housing, linear, X	1	000-135-7086-03	Consult
4	157900	Bearing, linear bush, shaft X1	3	000-069-4929-04	Consult
5	Consult	Holder, belt, 128	1	000-136-3545-09	Consult
6	171872	Timing belt, XL	1	000-108-0399-17	Consult
7	Consult	Timing pulley, XL, AF	1	000-109-8408-13	Consult
8	172607	Pulley, tension	3	000-111-8488-03	Consult
9	203251	Shaft, bearing	3	000-108-0297-39	Consult
10	172573	Motor assy, stepping X-axis, right/left, M103	1	000-138-2122-08	Consult
11	Consult	Bracket, applicator, Y	1	000-136-3560-05	Consult
12	193551	Shaft, linear, Y	1	000-108-0302-34	Consult
13	193552	Shaft, slide, Y	1	000-109-8410-30	Consult
14	172608	Housing, linear, Y	1	000-112-6778-03	Consult
15	172609	Bearing, linear bush, shaft Y	1	000-069-4928-01	Consult
16	Consult	Holder, belt, s-fold	1	000-136-3546-02	Consult
17	172610	Timing belt, S3M	1	000-112-6891-01	Consult
18	172611	Timing pulley, S3M BF motor Y	1	000-116-1762-05	Consult
19	172612	Motor assy, stepping Y-axis, front/back, M104	1	000-138-2123-01	Consult
20	Consult	Bracket, applicator, Z1	1	000-136-3559-01	Consult
21	Consult	Bracket, rotation, lower	1	000-136-3558-07	Consult
22	Consult	Bracket, rotation, upper	1	000-136-3557-03	Consult
23	193553	Shaft, slide Z1	1	000-109-8409-17	Consult
24	193543	Block B, slide Z	1	000-112-6559-04	Consult
25	172613	Timing belt, S3M, step motor Z	1	000-141-6386-07	Consult
26	201858	Timing pulley, S3M, BF	1	000-140-7383-02	Consult
27	125715	Motor assy, stepping Z-axis, up/down, M105	1	000-111-8337-04	Consult
28	172614	Timing belt, XL, rotation	1	000-020-0970-01	Consult
29	195586	Timing pulley, XL	1	000-059-8460-10	Consult
30	Consult	Timing pulley, XL	1	000-059-8296-42	Consult
31	Consult	Detect plate, rotation, upper	1	000-136-3549-03	Consult
32	Consult	Detect plate, rotation, lower	1	000-136-3548-00	Consult
33	172615	Bearing unit, linear rolling	1	000-072-5427-21	Consult
34	172616	Bearing, radial, deep groove	2	000-057-0387-08	Consult
35	172617	Motor assy, stepping, rotation, M106	1	000-138-2124-05	Consult
36	Consult	Bracket, arm	1	000-108-0375-54	Consult
37	Consult	Bracket, fan	1	000-108-0366-79	Consult
38	78083	Bush	2	000-037-4818-02	Consult
39	Consult	Catch, magnet	1	000-112-6892-05	Consult
40	Consult	Bracket, magnet	1	000-136-3550-08	Consult
41	Consult	Plate, B, spring	1	000-112-6897-12	Consult
42	Consult	Shaft, fulcrum, suction	1	000-108-0377-24	Consult
43	Consult	Bracket, suction, upper	1	000-136-3556-00	Consult
44	Consult	Bracket, suction, lower	1	000-136-3553-09	Consult
45	Consult	Bracket, sensor, suction	1	000-136-3552-05	Consult
46	Consult	Bracket, slide, block	1	000-136-3551-01	Consult
47	Consult	Threaded rod, round, ff	2	000-108-0376-11	Consult
48	172618	Spring, coil, compressive	2	000-108-0374-14	Consult
49	Consult	L plate B, stopper	1	000-136-3555-06	Consult
50	Consult	Detect plate, suction	1	000-136-3554-02	Consult
51	172619	Spring, coil, compressive	1	000-108-0372-17	Consult
52	Consult	Block B, slider	1	000-111-8485-02	Consult
53	Consult	Sheet, applicator	1	000-111-8205-06	Consult
54	198789	Sheet, applicator	1	000-132-6314-07	Consult
55	210857	Cover assy, harness	1	000-108-0361-61	Consult
56	Consult	Cover, applicator	1	000-086-7416-44	Consult

X-axis - right/left, Y-axis - front/back, Z-axis - up/down

Applicator Unit

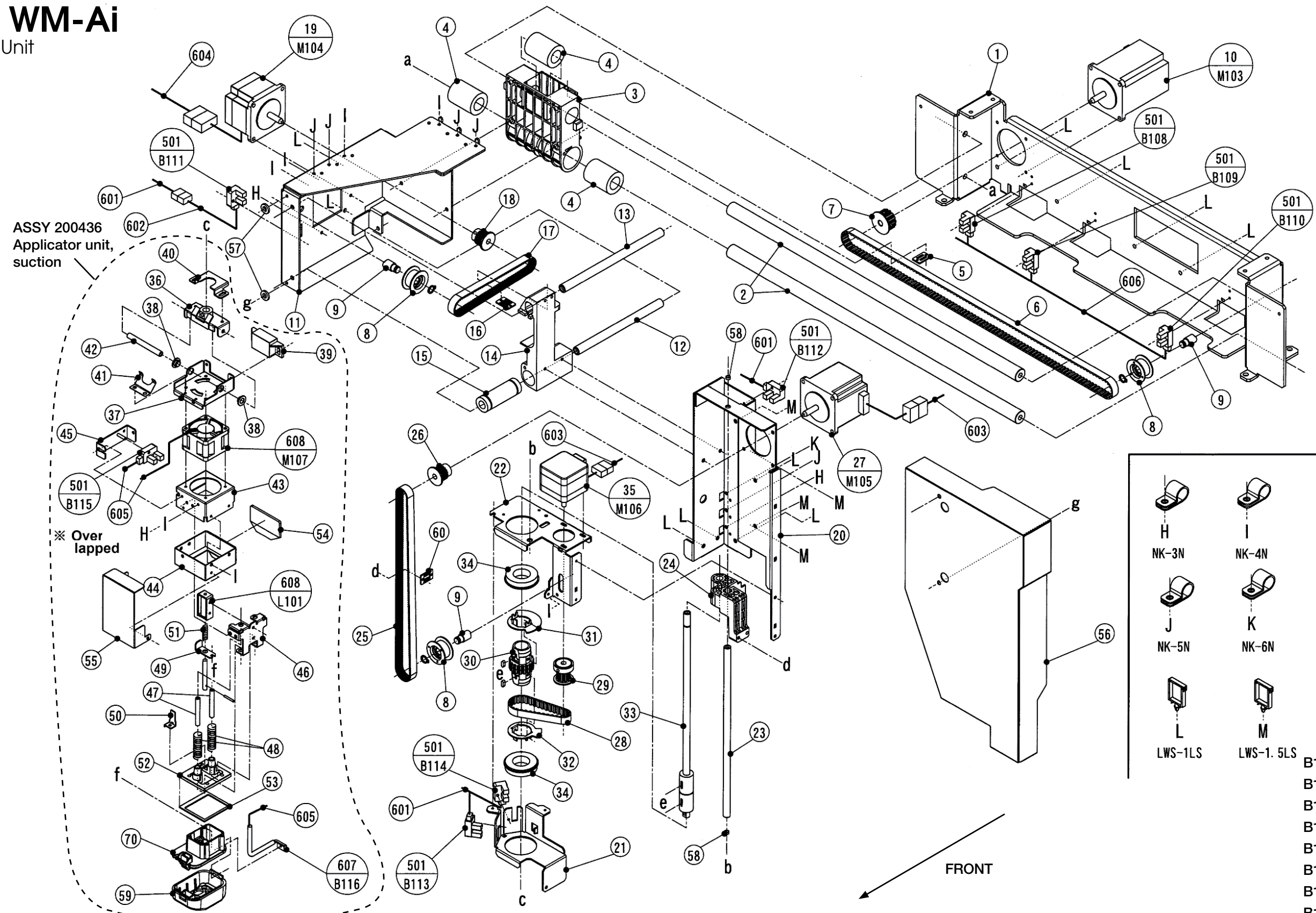
Part Number/Price

REF #	PART #	DESCRIPTION	QTY	SYNONYM	PRICE
57	Consult	Sheet	2	000-075-1075-12	Consult
58	Consult	Collar, spacer	2	000-113-7327-08	Consult
59	171864	Block B, suction, cushion, main	1	000-139-2565-02	Consult
60	Consult	Holder, belt, S3M	1	000-141-6390-02	Consult
70	172620	Block B, slide, suction	1	000-136-3989-18	Consult
501	104239	Photo interrupter, transmitter, white conn., B108-B115	8	000-070-5204-14	Consult
601	181498	Harness, C8, sensor move X-axis, Y-axis	1	000-135-0318-11	Consult
602	181499	Harness, C2, sensor Y-axis	1	000-135-0218-02	Consult
603	181500	Harness, C4, motor drive, Z-axis and rotation	1	000-136-3874-22	Consult
604	181501	Harness, C2, motor Y-axis	1	000-135-0226-02	Consult
605	172621	Harness, C4, coiled cable to B116 and M107 (suction fan)	1	000-135-0219-06	Consult
606	181502	Harness, C4, sensor X-axis	1	000-135-0228-00	Consult
607	172623	Sensor assy, suction, label present, B116, 5-pin	1	000-135-0220-01	Consult
608	172624	Fan assy, suction, M107, L101, 4-pin	1	000-143-5188-16	Consult
ASSY	200436	Applicator unit, suction, main		100-010-3956-00	Consult

X-axis - right/left, Y-axis - front/back, Z-axis - up/down

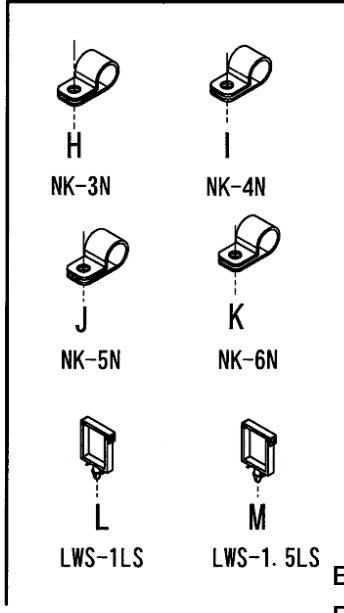
Ishida WM-Ai

Applicator Unit



ASSY 200436
Applicator unit,
suction

※ Over lapped



- B108 - X-axis home position
- B109 - X-axis printer 1
- B110 - X-axis printer 2 (n/a)
- B111 - Y-axis home position
- B112 - Z-axis home position
- B113 - Rotation home position
- B114 - Rotation position
- B115 - Tray contact detector
- B116 - Label present detector

X-axis - right/left, Y-axis - front/back, Z-axis - up/down