

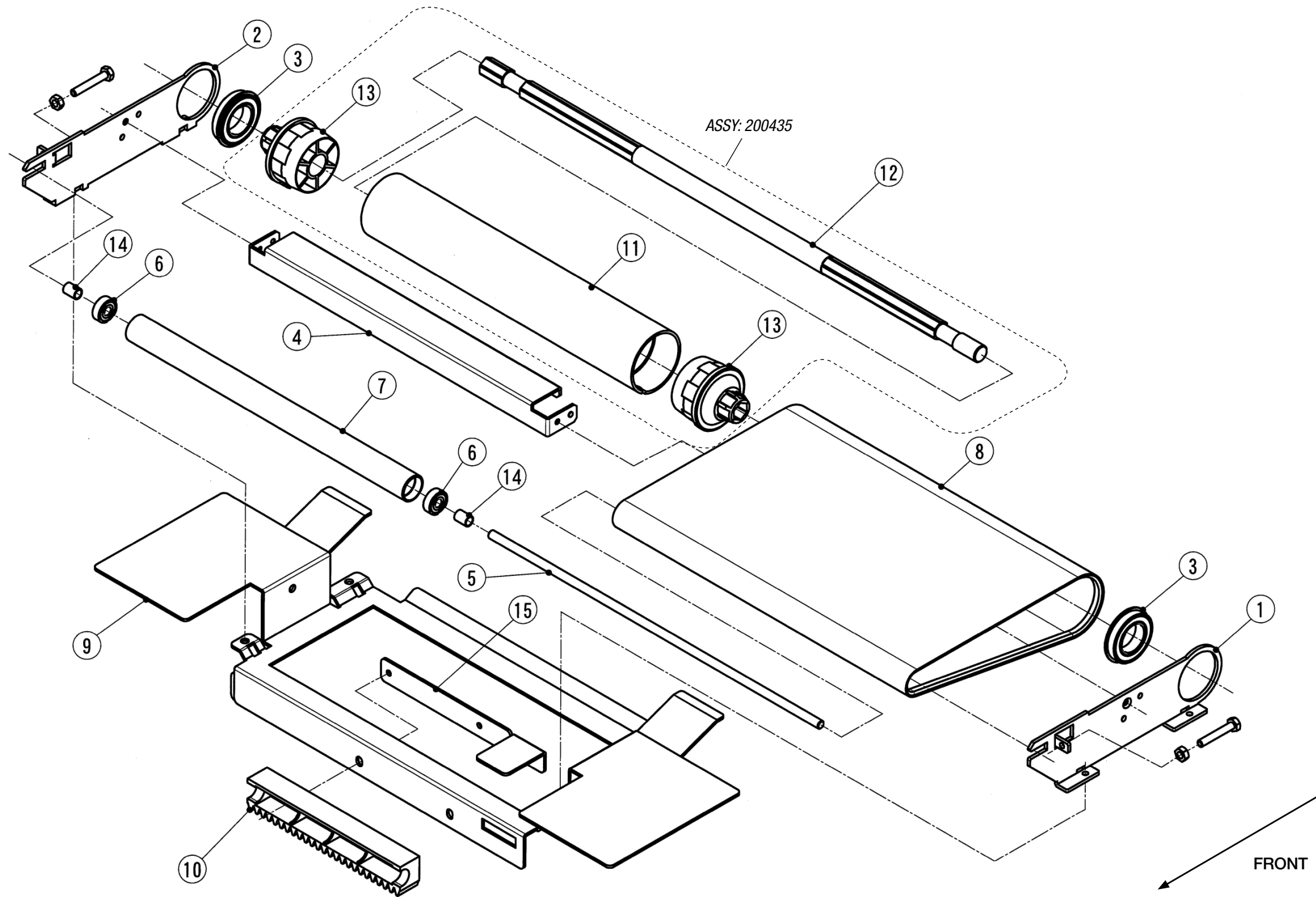
# Centering Unit

## Part Number/Price

REF #	PART #	DESCRIPTION	QTY	SYNONYM	PRICE
1	<b>185566</b>	Frame, conveyor, centering	1	100-001-5946-00	Consult
2	<b>185567</b>	Frame, conveyor, centering	1	100-001-5947-00	Consult
3	<b>172510</b>	Bearing, radial, deep groove	2	000-076-1701-09	Consult
4	<b>185568</b>	Supporter, belt, centering	1	000-106-6977-26	Consult
5	<b>182975</b>	Shaft, follower	1	000-149-6861-09	Consult
6	<b>172511</b>	Bearing, radial	2	000-037-5046-08	Consult
7	<b>182976</b>	Roller, follower	1	000-149-6860-04	Consult
8	<b>172513</b>	Flat belt, centering, blue	1	000-149-6857-02	Consult
9	<b>185571</b>	Bracket, rack	1	000-149-6879-14	Consult
10	<b>157896</b>	Gear, rack	1	000-076-1842-01	Consult
11	<b>182977</b>	Roller, drive	1	000-149-6859-00	Consult
12	<b>182978</b>	Shaft, drive	1	000-106-6973-12	Consult
13	<b>182979</b>	Bush, roller	2	100-001-5929-00	Consult
14	<b>182980</b>	Collar	2	100-000-4491-00	Consult
15	<b>185576</b>	Bracket, gear, rack	1	000-150-3045-09	Consult
ASSY	<b>186569</b>	Centering unit assembly	1	000-150-3106-05	Consult
ASSY	<b>200435</b>	Roller assy, drive WM-Ai (includes: 182977 drive roller, 182978 100-021-9297-00 shaft and two 182979 roller bushing)		100-021-9297-00	Consult

# Ishida WM-Ai

Centering Unit



PN 186569 Centering Unit