

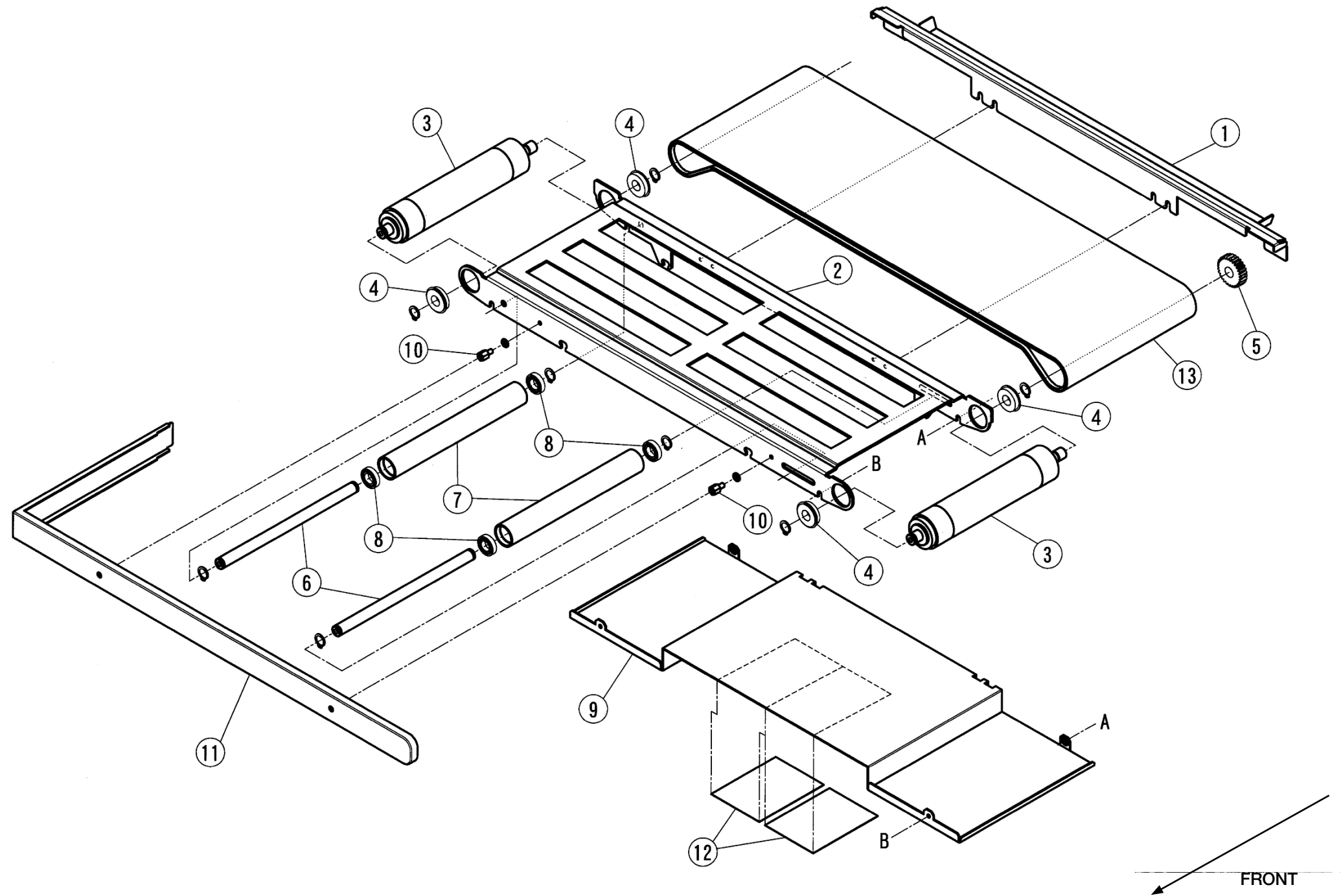
# Discharge Conveyor Unit

## Part Number/Price

REF #	PART #	DESCRIPTION	QTY	SYNONYM	PRICE
1	Consult	Cover, conveyor, rear	1	000-135-0140-42	Consult
2	Consult	Frame, conveyor, upper	1	000-139-9306-09	Consult
3	172636	Roller drive	2	000-076-1742-39	Consult
4	160748	Bearing, radial, deep groove	4	000-094-2649-05	Consult
5	184014	Gear, flat	1	000-138-5683-01	Consult
6	198243	Shaft, pulley, tension	2	000-076-1714-16	Consult
7	198244	Roller, shaft, tension	2	000-103-3674-16	Consult
8	52622	Bearing, radial, deep groove	4	000-003-6982-01	Consult
9	Consult	Cover, PWB, camera	1	000-116-1772-21	Consult
10	Consult	Threaded rod, HEX, MF	2	100-002-1568-00	Consult
11	Consult	Cover, conveyor, front	1	000-131-7491-02	Consult
12	Consult	Tape, saxin, single	2	000-066-4285-08	Consult
13	172637	Flat belt, finger joint	1	000-123-2392-01	Consult
ASSY	189304	Discharge Conveyor Unit, complete assembly	1	000-150-3233-01	Consult

# Ishida WM-Ai

Discharge Conveyor Unit



PN 189304 Discharge Conveyor Unit