

Film Insertion Unit - WM-Ai-P Update

For WM-Ai-P Wrapper from SN 100504904

Part Number/Price

| REF # | PART # | DESCRIPTION | QTY | SYNONYM | PRICE |
|-------|---------|---|-----|-----------------|---------|
| | Consult | Film Transport Unit | 1 | 100-041-9391-00 | Consult |
| 1 | Consult | Collar | 8 | 100-030-2598-00 | Consult |
| 2 | 47165* | Bearing, radial | 10 | 000-000-3610-03 | Consult |
| 5 | 172563* | Roller assy clutch, one groove (does not include 1 pc. #2 or ret. ring) | 8 | 000-139-9381-11 | Consult |
| 6 | 172565* | Roller assy clutch, five grooves (does not include 1 pc. #2 or ret. ring) | 2 | 000-136-3745-09 | Consult |
| — | 200445 | Retaining ring, 8 mm shaft, black oxide | 20 | 000-000-4192-07 | Consult |
| 7 | Consult | Holder film, upper roll, new style/coating | 1 | 100-042-6145-00 | Consult |
| 8 | Consult | Holder, film, lower, new style/coating | 1 | 100-042-6150-00 | Consult |
| 9 | 189265 | Block B, change over | 2 | 000-135-7304-05 | Consult |
| 10 | 189267* | Shaft, clutch roller | 2 | 000-133-8393-36 | Consult |
| — | 200468 | Bolt, socket hex, w/spring washer, M5 x 12 SST | 1 | 000-004-2110-03 | Consult |
| 11 | Consult | Bracket, joint, new style/coating | 1 | 100-028-4517-01 | Consult |
| 12 | Consult | Bracket, catch, new style/coating | 1 | 100-028-4538-01 | Consult |
| 13 | Consult | Detect plate, transfer | 1 | 000-137-8064-20 | Consult |
| 14 | 192861 | Shaft, joint | 2 | 000-133-8438-00 | Consult |
| — | 200463 | Bolt, hex socket M3 x 8mm, high strength black oxide | 1 | 000-126-7076-04 | Consult |
| 15 | 199748 | Shaft, roller | 1 | 000-137-8034-36 | Consult |
| 16 | 157853 | Catch, push latch | 2 | 000-070-1072-06 | Consult |
| 17 | Consult | Bracket, joint, new style/coating | 1 | 100-028-4545-01 | Consult |
| 18 | Consult | Bracket, catch, new style/coating | 1 | 100-028-4551-01 | Consult |
| 20 | 199749 | Stay, holder, film | 1 | 100-001-6587-03 | Consult |
| 22 | 199750 | Shaft, change over | 1 | 000-133-8463-62 | Consult |
| — | 200468 | Bolt, socket hex, w/spring washer, M5 x 12 SST | 1 | 000-004-2110-03 | Consult |
| 23 | 189230 | Key, parallel, both ends round | 2 | 000-009-9828-05 | Consult |
| 24 | 199751 | Key, parallel, both ends round | 1 | 000-057-9310-04 | Consult |
| 25 | 198677 | Collar, spacer | 1 | 000-042-5082-05 | Consult |
| 26 | 199752 | Gear, flat, change | 1 | 000-135-7390-15 | Consult |
| 27 | Consult | Frame, change over | 1 | 100-038-0923-00 | Consult |
| 28 | 188066 | Frame, change over, upper | 1 | 100-004-5822-00 | Consult |
| 29 | 160748 | Bearing radial, deep groove | 2 | 000-094-2649-05 | Consult |
| 30 | 191014 | Stay, interface | 1 | 000-139-9350-21 | Consult |
| 31 | 172567 | Housing, linear bush | 2 | 000-135-7305-09 | Consult |
| 32 | 172568 | Bearing, linear bush | 4 | 000-070-1070-09 | Consult |
| 33 | Consult | Collar | 1 | 000-063-1176-02 | Consult |
| 34 | Consult | Detect plate, transfer, move | 1 | 000-147-0655-02 | Consult |
| 35 | Consult | Bracket, motor | 1 | 000-133-8426-32 | Consult |
| 36 | 125715 | Motor assy, stepping Z, M304 | 1 | 000-111-8337-04 | Consult |
| 37 | 199753 | Gear, flat | 1 | 000-135-7393-07 | Consult |
| 38 | Consult | Shaft, rack, brake | 1 | 000-133-8427-36 | Consult |
| 39 | Consult | Stopper, rack | 1 | 000-139-9253-14 | Consult |
| 40 | Consult | Bracket, solenoid | 1 | 000-133-8387-32 | Consult |
| 41 | Consult | Link | 1 | 000-046-2225-09 | Consult |
| 42 | 171855 | White gear, flat, idler | 1 | 000-135-7084-06 | Consult |
| 43 | 172569 | Solenoid assy, L302 | 1 | 000-138-5600-02 | Consult |
| 44 | 199754 | Bracket, sheet | 1 | 000-147-0978-04 | Consult |
| — | 168506 | Wire anti-static, 20 in (sold by the inch) | 2 | 142-6094-07 | Consult |
| 45 | 172570 | Spring, coil, compressive | 1 | 000-133-8484-11 | Consult |
| 46 | Consult | Collar | 1 | 000-017-6855-00 | Consult |
| *ASSY | 206218 | Shaft assy, clutch roller, from s/n 100524993, March 2021 (includes #2, 5, 6, and 10) | 2 | 100-044-0361-00 | Consult |

Film Insertion Unit - WM-Ai-P Update

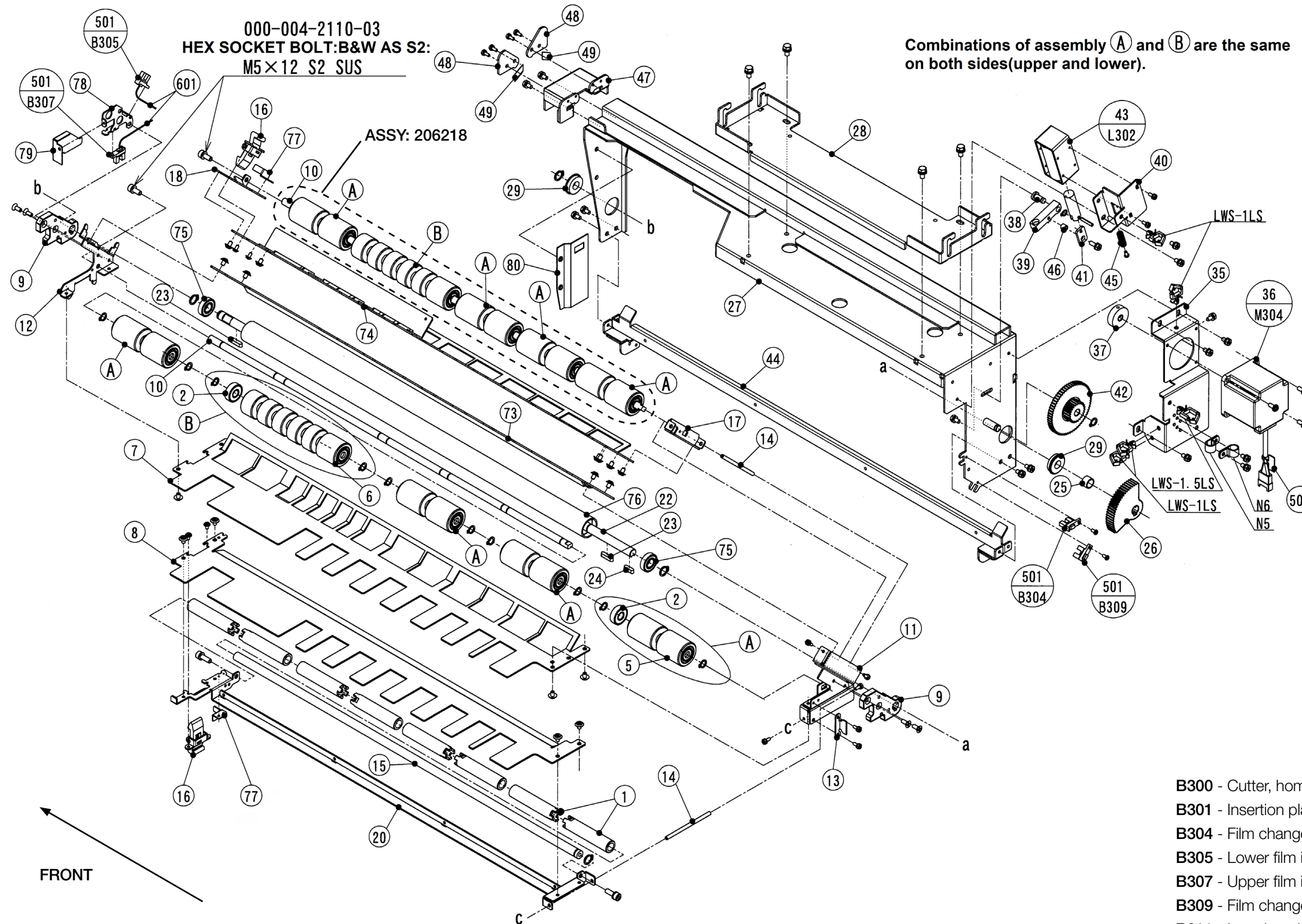
For WM-Ai-P Wrapper from SN 100504904

Part Number/Price

| REF # | PART # | DESCRIPTION | QTY | SYNONYM | PRICE |
|-------|---------|--|-----|-----------------|---------|
| 47 | Consult | Bracket, cutter, loading | 1 | 100-001-6573-00 | Consult |
| 48 | Consult | Plate B, cutter, trimming | 2 | 100-001-6574-00 | Consult |
| 49 | 198652 | Cutter | 2 | 000-139-9413-04 | Consult |
| 50 | Consult | Frame, rear | 1 | 000-147-0915-19 | Consult |
| 51 | Consult | Plate A, interference | 1 | 000-076-1711-06 | Consult |
| 52 | 204693 | Shaft, linear | 2 | 000-133-8478-09 | Consult |
| 53 | 172571 | Spring, coil, compressive | 2 | 000-133-8488-06 | Consult |
| 54 | Consult | Bracket, sensor | 2 | 000-134-8090-14 | Consult |
| 55 | Consult | Bracket, drive, transfer | 1 | 100-004-5826-00 | Consult |
| 56 | 189111 | Rubber pad | 2 | 000-039-8056-01 | Consult |
| 57 | 172572 | Bearing, radial, deep groove | 2 | 000-094-2650-00 | Consult |
| 58 | 204691 | Bracket, pulley, idler | 1 | 100-004-5831-00 | Consult |
| 59 | 191003 | Shaft, drive | 1 | 000-133-8404-12 | Consult |
| 60 | 191006 | Timing pulley, S5M, BF | 1 | 000-057-0324-03 | Consult |
| 61 | Consult | Bracket, motor, s-fold | 1 | 100-004-5827-00 | Consult |
| 62 | 172573 | Motor assy, stepping X, M303 | 1 | 000-138-2122-08 | Consult |
| 63 | 172554 | Timing belt, HPS5M | 1 | 000-109-8058-13 | Consult |
| 64 | 191007 | Key, parallel, both ends round | 1 | 000-002-7289-00 | Consult |
| 65 | 204692 | Timing pulley, S5M, AF | 1 | 000-141-6389-08 | Consult |
| 66 | 211708 | Sheet, cutter | 1 | 000-133-8381-20 | Consult |
| 67 | 187231 | Lever, drive | 1 | 000-135-7391-00 | Consult |
| 68 | 172319 | Rod end, type I, F | 1 | 000-000-3738-06 | Consult |
| 69 | 172320 | Rod end, type I, F | 1 | 000-004-1447-04 | Consult |
| 70 | 189102 | Hex nut, T1, left-hand thread | 1 | 000-000-0109-02 | Consult |
| 71 | 189270 | Threaded rod, turnbuckle, mm | 1 | 000-133-8396-16 | Consult |
| 73 | Consult | Holder, film, lower, new style/coating | 1 | 100-042-6182-00 | Consult |
| 74 | Consult | Holder, film, upper, new style/coating | 1 | 100-042-6187-00 | Consult |
| 75 | 47168 | Bearing, radial, deep groove | 2 | 000-000-3659-05 | Consult |
| 76 | 189271 | Roller, film, lower | 1 | 100-002-2344-00 | Consult |
| 77 | Consult | Detecting plate | 2 | 100-038-0934-00 | Consult |
| 78 | Consult | Bracket, sensor, change | 1 | 100-038-0925-00 | Consult |
| 79 | Consult | Cover, harness | 1 | 100-038-0926-00 | Consult |
| 80 | Consult | Cover, harness | 1 | 100-038-0924-00 | Consult |
| 501 | 171837 | Photo interrupter, trans, straight connector, B300, B301, B304, B305, B307, B309, B311 | 5 | 000-132-6468-07 | Consult |
| 502 | Consult | Accessory, band, marking tie | 1 | 000-135-2727-09 | Consult |
| 503 | Consult | Accessory, band, marking tie | 1 | 000-135-2728-02 | Consult |
| 507 | 172574 | Fan assy, fan heater left, M306 | 1 | 100-002-1276-00 | Consult |
| 601 | 205133 | Harness: C3: Open/Close (to B305, B307) | 1 | 100-036-0987-00 | Consult |

Ishida WM-Ai

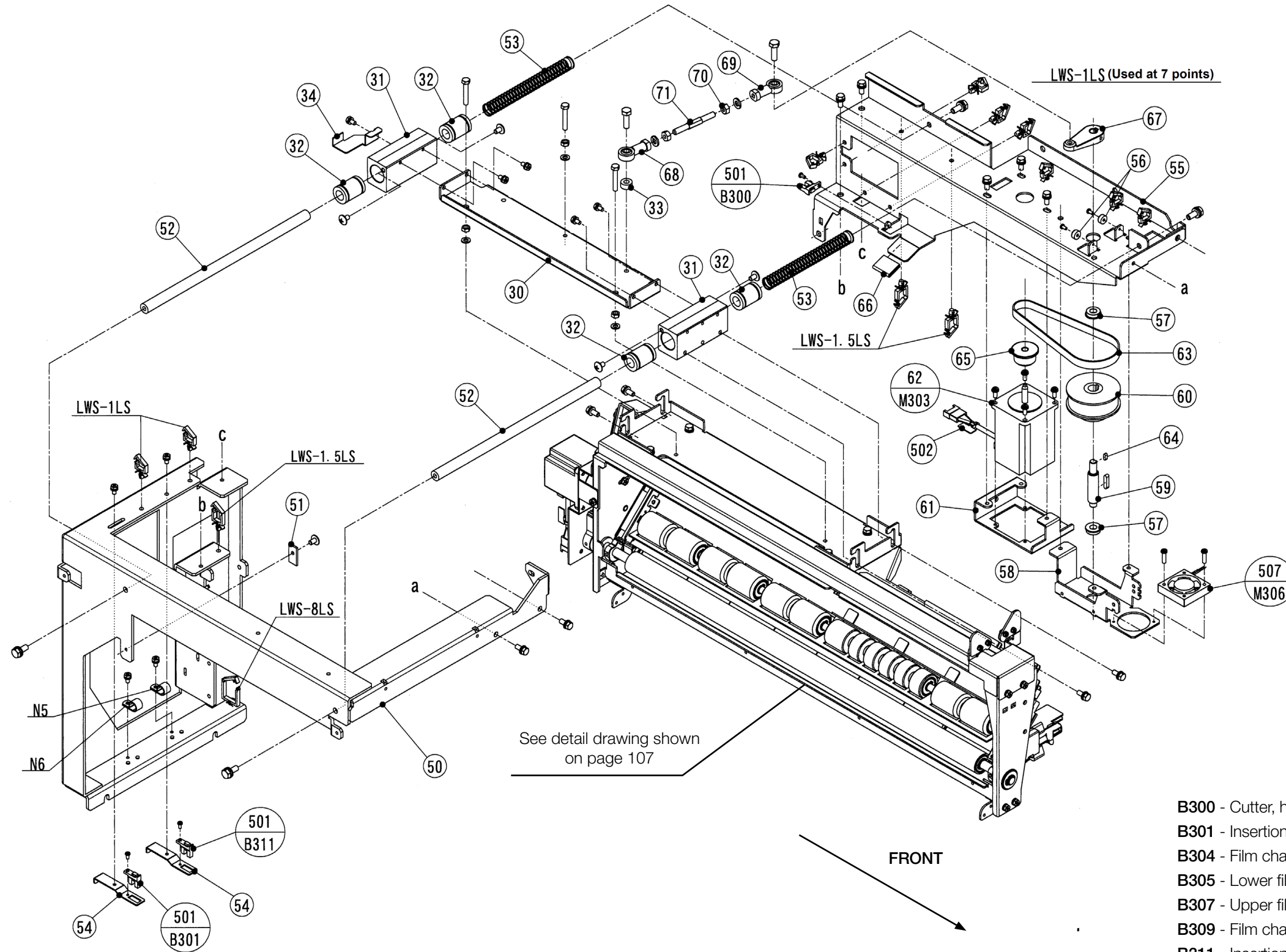
Film Insertion Unit - WM-Ai-P Update (drawing 1 of 2)
 For WM-Ai-P Wrapper from SN 100504904



- B300 - Cutter, home position
- B301 - Insertion plate, home position
- B304 - Film change, home position, inside, upper
- B305 - Lower film insertion plate, open/closed
- B307 - Upper film insertion plate, open/closed
- B309 - Film change, home position, outside, lower
- B311 - Insertion plate, limit position

Ishida WM-Ai

Film Insertion Unit - WM-Ai-P Update (drawing 2 of 2)
 For WM-Ai-P Wrapper from SN 100504904



- B300 - Cutter, home position
- B301 - Insertion plate, home position
- B304 - Film change, home position, inside, upper
- B305 - Lower film insertion plate, open/closed
- B307 - Upper film insertion plate, open/closed
- B309 - Film change, home position, outside, lower
- B311 - Insertion plate, limit position