

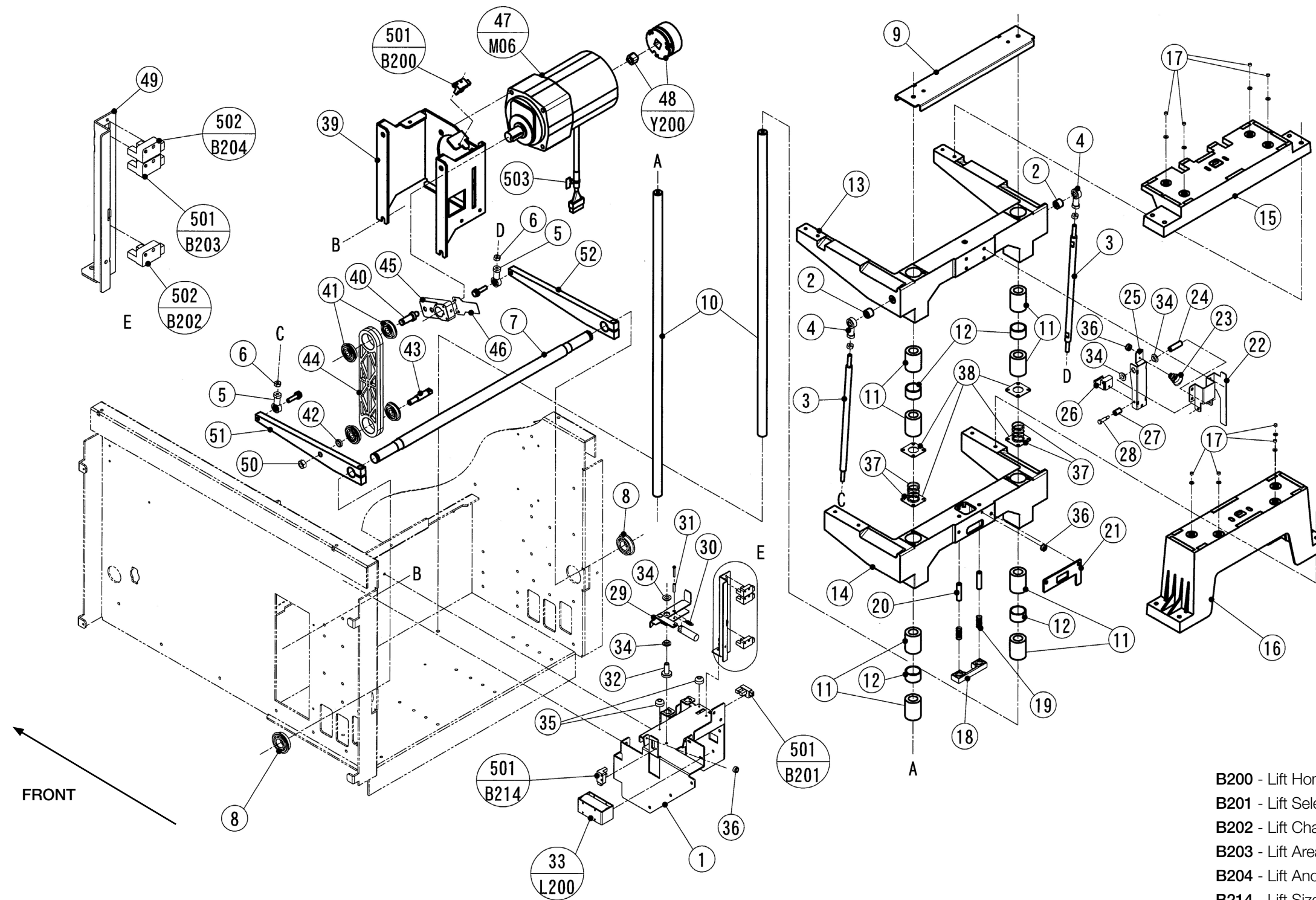
Lift Drive Unit

Part Number/Price

REF #	PART #	DESCRIPTION	QTY	SYNONYM	PRICE
1	Consult	Frame, change over	1	000-135-2501-42	Consult
2	Consult	Collar, joint, lift drive	2	000-137-0596-05	Consult
3	189101	Threaded rod, turnbuckle	2	000-135-0023-21	Consult
4	172319	Rod end, type I, F	2	000-000-3738-06	Consult
5	172320	Rod end, type I, F	2	000-004-1447-04	Consult
6	189102	Hex nut, T1, left hand thread	2	000-000-0109-02	Consult
7	Consult	Shaft, fulcrum, step	1	000-132-2066-36	Consult
8	172321	Bearing, radial, deep groove	2	000-028-1567-05	Consult
9	Consult	Bracket, shaft, linear	1	000-139-9131-04	Consult
10	188730	Shaft, linear, lift	2	000-135-0030-00	Consult
11	157900	Bearing, linear bush	8	000-069-4929-04	Consult
12	188731	Collar, spacer	4	000-086-7380-17	Consult
13	Consult	Stay, drive, front	1	000-135-7294-01	Consult
14	Consult	Stay, drive, rear	1	000-112-6592-17	Consult
15	196416	Base assy, lift head front	1	000-112-6593-01	Consult
16	196417	Base assy, lift head rear	1	000-112-6594-05	Consult
17	198651	Collar, SST	8	000-112-6872-01	Consult
18	Consult	Block B, grip change over	1	000-111-8434-02	Consult
19	172318	Spring, coil, compressive	2	000-109-8110-14	Consult
20	Consult	Threaded rod, round, FF	2	000-106-6850-18	Consult
21	Consult	Plate B, interface, fix	1	000-139-9106-01	Consult
22	189103	Bracket, link, change over	1	000-137-0744-00	Consult
23	172322	Spring, coil, compressive	1	000-109-8013-25	Consult
24	189104	Threaded, rod, round, FF	1	000-106-6857-13	Consult
25	189105	U plate B, grip, change over	1	000-112-6616-03	Consult
26	189106	Block B, grip, change over	1	000-111-8381-09	Consult
27	189107	Collar	1	000-106-6845-28	Consult
28	189108	Step screw	1	000-106-6844-33	Consult
29	Consult	Link assy, change over	1	000-133-5570-08	Consult
30	172326	Spring, coil, compressive	1	100-007-0942-00	Consult
31	189109	Collar, spacer	1	000-111-5657-05	Consult
32	Consult	Pin, fulcrum, change	1	000-106-6840-48	Consult
33	189110	Solenoid, change, L200	1	000-145-8377-01	Consult
34	186769	Bush	4	000-031-9453-01	Consult
35	Consult	Rubber pad	2	000-071-4717-02	Consult
36	189111	Rubber pad	3	000-039-8056-01	Consult
37	172328	Spring assy, coil, compressive	2	000-086-7395-21	Consult
38	211913	Plate A	4	000-109-5556-20	Consult
39	Consult	Bracket, motor, drive	1	000-135-0025-29	Consult
40	Consult	Pin, crank	1	000-135-0021-06	Consult
41	48174	Bearing, radial, deep groove	4	000-004-1478-00	Consult
42	189112	Collar, spacer, bearing	1	000-137-0660-01	Consult
43	189113	Pin, fulcrum, link	1	000-135-0020-02	Consult
44	Consult	Block A, link drive	1	000-135-7306-02	Consult
45	Consult	Block B, crank	1	000-135-7386-01	Consult
46	189114	Detect plate, crank, lift	1	000-135-0022-00	Consult
47	172329	Motor, DC brushless, geared, M06	1	000-135-2936-01	Consult
48	172334	Brake assy, lift, Y200	1	000-135-2613-08	Consult
49	189114	Bracket, sensor	1	000-137-8068-13	Consult
50	125410	Hex nut, T2, M8-1.25, SST, with nylon lock	1	000-002-2278-01	Consult
51	189116	Arm, lift, slit	1	000-135-0024-25	Consult
52	189117	Arm, lift, slit	1	000-139-9046-01	Consult
501	104239	Photo interrupter, transmitter, white conn., B200, B201, B203, B214	4	000-070-5204-14	Consult
502	157856	Photo interrupter, transmitter, black conn., B202, B204	2	000-070-5205-18	Consult
503	Consult	Accessory band, marking tie	1	000-135-2731-04	Consult

Ishida WM-Ai

Lift Drive Unit



- B200 - Lift Home Position
- B201 - Lift Select
- B202 - Lift Changeover Position
- B203 - Lift Area
- B204 - Lift Anomaly Detection
- B214 - Lift Size Change, Home Position