

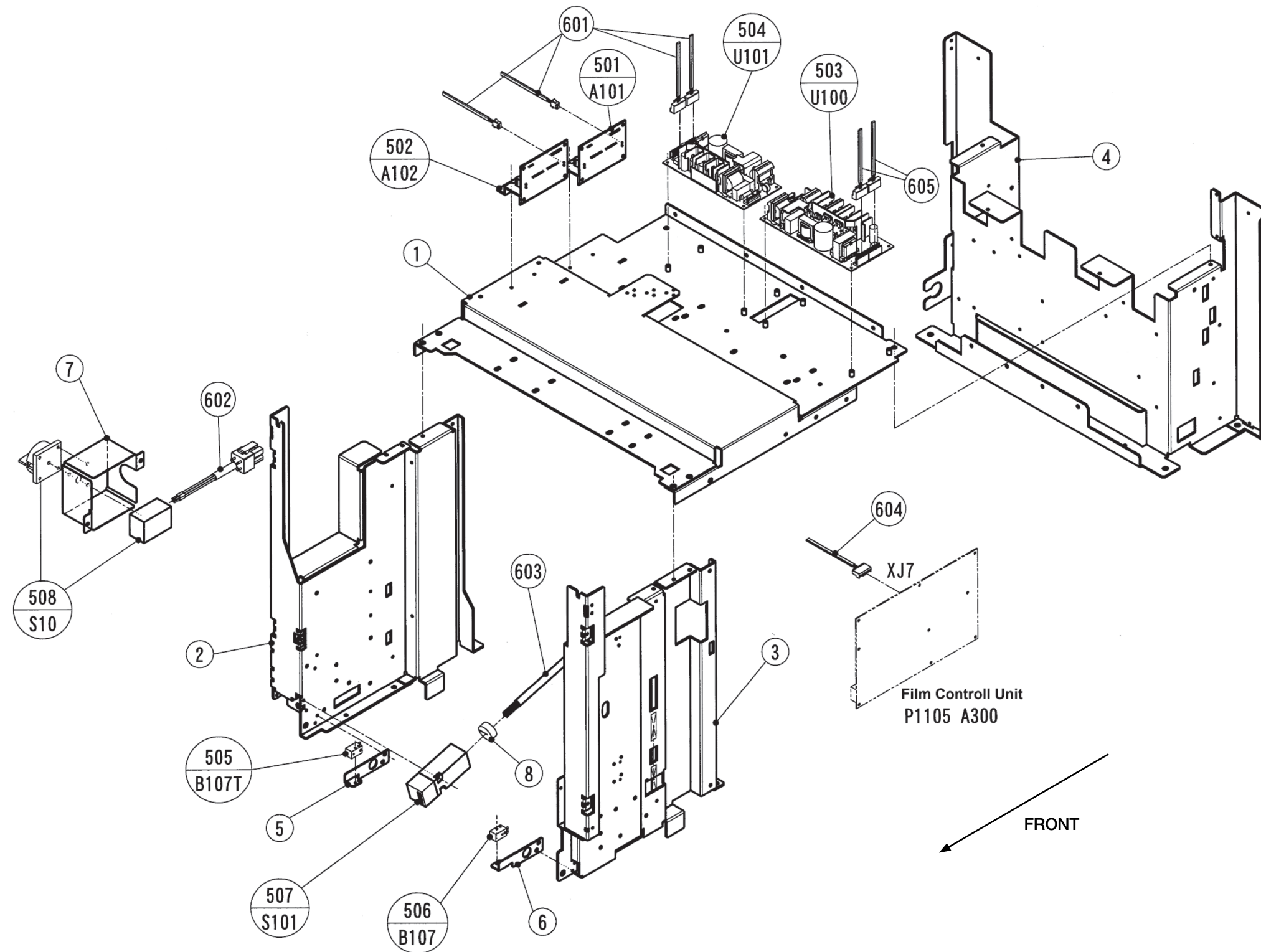
Printer Frame Unit

Part Number/Price

REF #	PART #	DESCRIPTION	QTY	SYNONYM	PRICE
1	Consult	Base, printer, top plate	1	000-135-0028-67	Consult
2	Consult	Frame, applicator base, L	1	000-135-0026-50	Consult
3	Consult	Frame, applicator base, R	1	000-135-2650-62	Consult
4	Consult	Frame, applicator, rear	1	000-133-8319-37	Consult
5	Consult	Bracket, sensor, safety	1	000-139-9302-31	Consult
6	Consult	Bracket, sensor, safety	1	000-139-9301-38	Consult
7	Consult	Bracket, power, SW	1	000-135-0034-13	Consult
8	Consult	Cap, harness, switch	1	000-091-0707-09	Consult
501	171859	PWB, P-1006, C-5, applicator front/back (Y-axis) and rotation (O-axis), A101	1	000-139-9340-06	Consult
502	171860	PWB, P-1006, C-6, applicator right/left (X-axis) and up/down (Z-axis), A102	1	000-139-9341-00	Consult
503	171861	Power, supply, switching, U100, LFP240F-24-J1Y	1	000-148-4467-09	Consult
504	171862	Power, supply, switching, U101, LFP150F-24-J1Y	1	000-148-4466-05	Consult
505	125711	Photo interrupter, sensor, transmitter, B107T	1	000-112-9768-07	Consult
506	125712	Photo interrupter, sensor, receiver, B107	1	000-112-9769-01	Consult
507	157866	Switch, safety, printer door, S101	1	000-111-8428-00	Consult
508	125717	Switch, rotary, main power on/off, S10	1	000-134-8366-02	Consult
601	189287	Harness, C4, power DC (U101 CN2, CN3 to A101 XJ1, A102 XJ1)	1	000-148-4469-06	Consult
602	189288	Harness, C5, power SW (S10 to X109)	1	000-137-8216-27	Consult
604	189289	Harness, C3, sensor (A300 XJ7 to X101, X208)	1	000-148-4472-17	Consult
605	189290	Harness, C5, power DC (U100 CN2, CN3 to X205, X206)	1	000-148-4470-01	Consult

Ishida WM-Ai

Printer Frame Unit



B107 - Applicator safety, receiver
 B107T - Applicator safety, emitter