

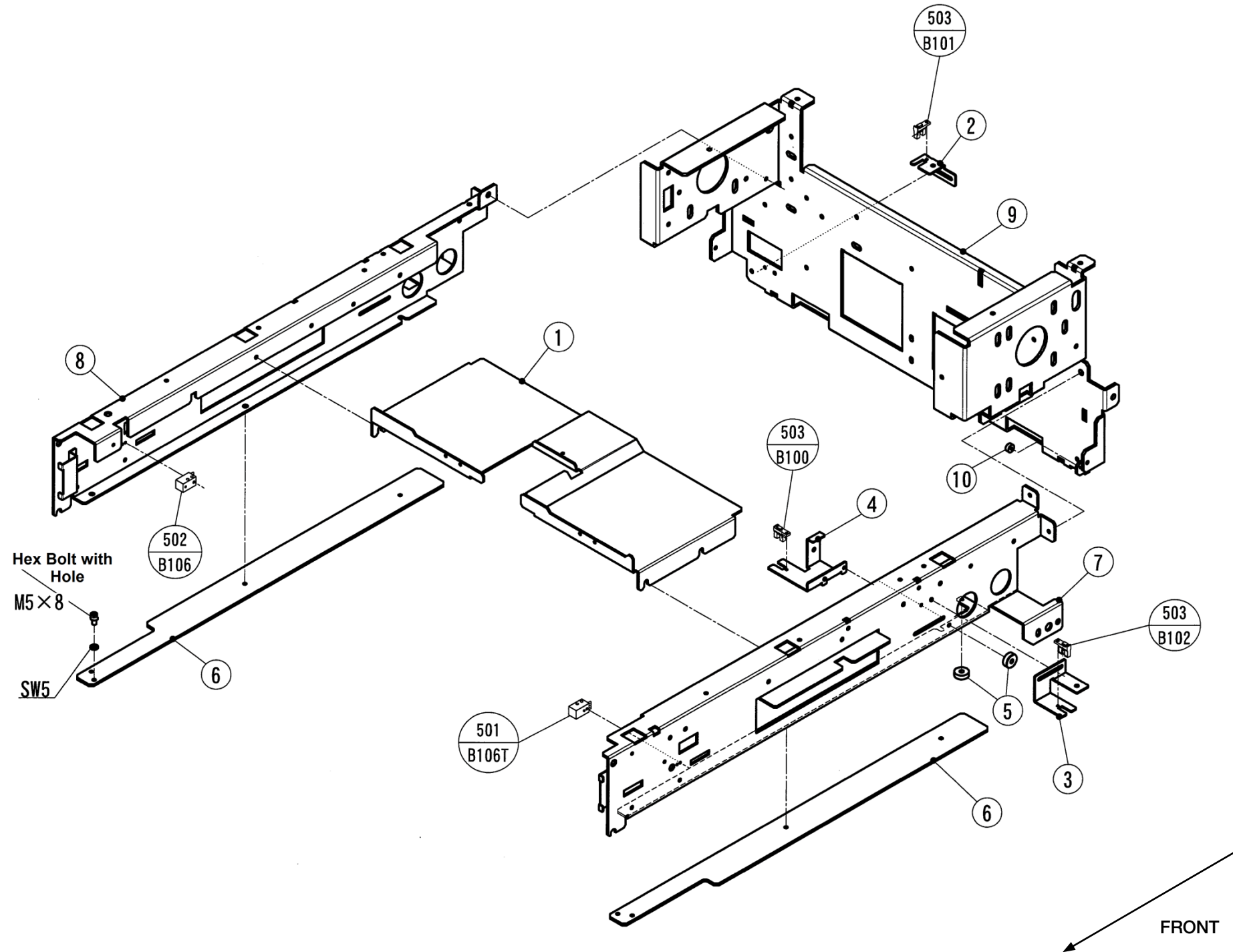
Wrapping Frame Unit

Part Number/Price

REF #	PART #	DESCRIPTION	QTY	SYNONYM	PRICE
1	Consult	Frame, printer stand	1	000-135-2594-29	Consult
2	189194	Bracket, sensor, S-fold	1	000-133-8300-00	Consult
3	189195	Bracket, sensor, R fold	1	000-133-8308-09	Consult
4	189196	Bracket, sensor, pusher	1	000-133-8314-12	Consult
5	189197	Collar, stopper	2	000-112-6600-04	Consult
6	Consult	Plate B, slider	2	000-136-3647-05	Consult
7	Consult	Frame, wrap R	1	000-133-8293-74	Consult
8	Consult	Frame, wrap L	1	000-133-8294-57	Consult
9	Consult	Frame, packaging	1	000-134-8257-56	Consult
10	189111	Rubber pad	1	000-039-8056-01	Consult
501	125711	Photo interrupter, sensor, transmitter, B106T	1	000-112-9768-07	Consult
502	125712	Photo interrupter, sensor, receive, B106	1	000-112-9769-01	Consult
503	171837	Photo interrupter, trans, straight connector, B100-B102	3	000-132-6468-07	Consult

Ishida WM-Ai

Wrapping Frame Unit



- B100 - Discharge Pusher, Home Position
- B101 - Side Folders, Home Position
- B102 - Rear Folder, Home Position
- B106 - Discharge Safety, Receiver
- B106T - Discharge Safety, Transmitter