

Control Unit and Wiring Diagrams

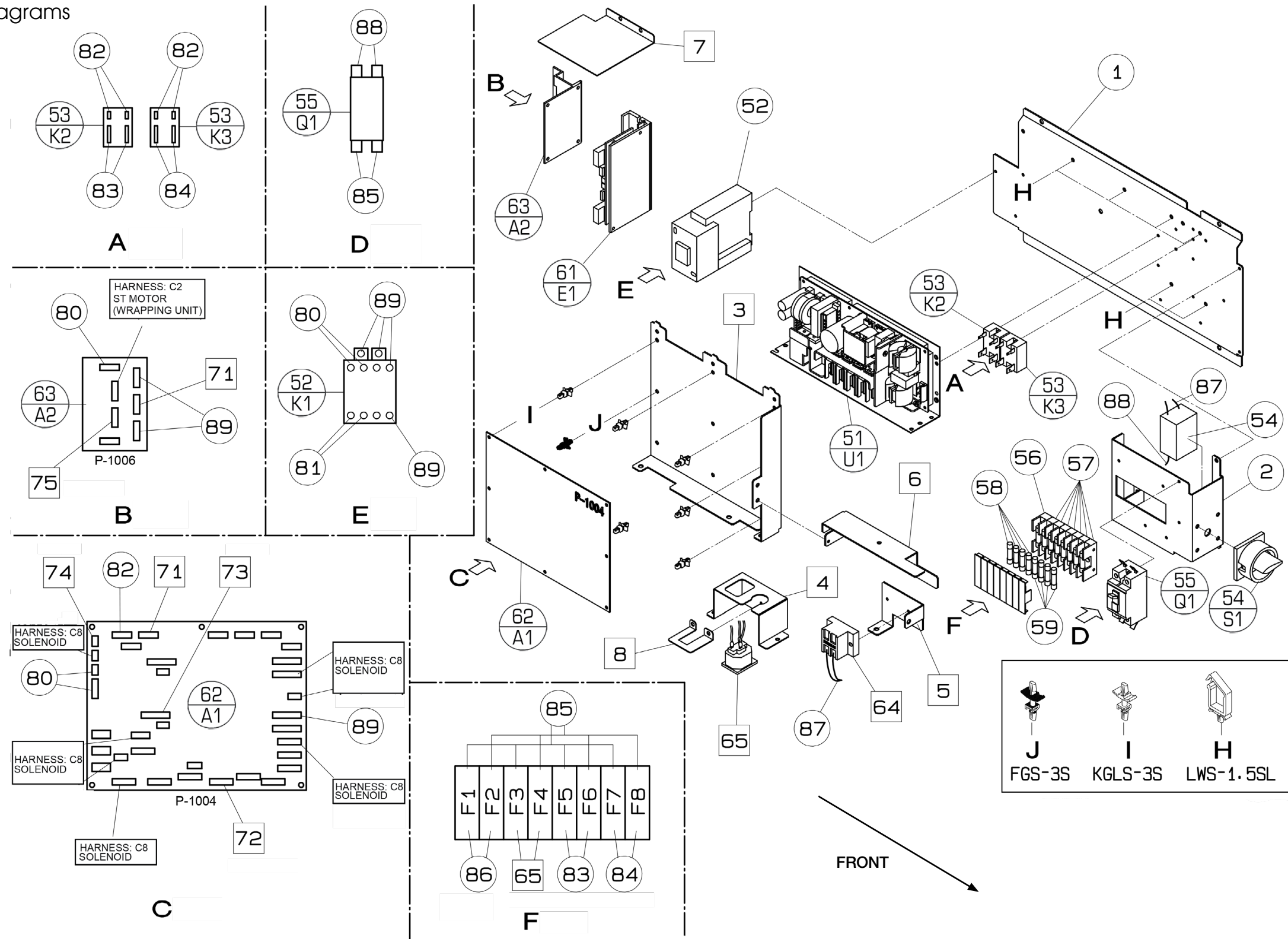
Part Number/Price

REF #	PART #	DESCRIPTION	QTY	SYNONYM	PRICE
1	Consult	Bracket PS	1	135-4649-36	Consult
2	Consult	Bracket AC	1	135-4651-34	Consult
3	Consult	Bracket P-1004	1	135-4650-31	Consult
4	Consult	Bracket lock	1	135-4652-29	Consult
5	Consult	Bracket terminal	1	137-0557-28	Consult
6	Consult	Cover terminal	1	137-0558-12	Consult
7	Consult	Cover controller	1	137-0560-01	Consult
8	Consult	Bracket stopper PS	1	138-2217-08	Consult
51	125718	Power supply switching (U1)	1	112-1274-05	Consult
52	116272	Electromagnetic contactor (K1)	1	111-8354-17	Consult
53	125708	Relay, solid state (K2, K3)	2	086-7316-09	Consult
54	125717	Switch, rotary, main power on/off (S1)	1	134-8366-02	Consult
55	172630	Breaker leak (Q1)	1	086-7453-06	Consult
56	72857	Fuse holder, terminal type	1	000-4119-04	Consult
57	72856	Fuse holder, terminal type	7	040-2724-07	Consult
58	125707	Fuse glass tube 6A, 250V, 3AG (F1, F2, F3, F4)	4	069-2407-00	Consult
59	47075	Fuse glass tube 5A, 250V, 3AG (F5, F6, F7, F8)	4	033-3882-09	Consult
61	125703	Controller board, lift motor (E1)	1	142-6355-09	Consult
62	125704	PWB P-1004 A, CPU board (A1)	1	111-8341-82	Consult
63	125705	PWB P-1006 C-4, motor controller board (A2)	1	135-0167-06	Consult
64	Consult	Terminal block	1	135-0067-07	Consult
65	178630	AC outlet assy, (fuses F3, F4 to AC outlet for Uni-7)	1	137-0537-23	Consult
71	Consult	Harness S2 STP (P-1004 XJ1 to P-1006 XJ7)	1	132-2008-11	Consult
72	204205	Harness C2 DCB (P-1004 XJ17 to lift motor controller E1 CN2)	1	131-7500-19	Consult
73	204240	Harness C3 thermistors (P-1004 XJ26 to seal thermistor R1, fan thermistor R141)	1	135-0165-27	Consult
74	Consult	Harness C2 solenoid (P-1004 XJ36 to cutter solenoid L8)	1	132-2012-17	Consult
75	204023	Harness C2 ST motor (P-1006 XJ6 to film feed motor M2)	1	131-7498-14	Consult
80	Consult	Harness C6 PS DC (power supply U1 CN51 to P-1004 XJ33 and XJ34, P-1006 XJ1, contactor K1)	1	131-7494-10	Consult
81	Consult	Harness C3 PS DC (lift motor controller E1 CN1 to contactor K1)	1	132-2003-22	Consult
82	Consult	Harness C5 SSR (P-1004 XJ38 to relays K2, K3)	1	131-7499-27	Consult
83	Consult	Harness C5 seal heater (fuses F5, F6 to seal heater E2 to relay K2)	1	132-2001-34	Consult
84	Consult	Harness C5 fan heater (fuses F7, F8 to fan heater E3 to relay K3)	1	132-2104-34	Consult
85	Consult	Harness C16 PS AC (breaker Q1 to fuses)	1	132-2002-29	Consult
86	Consult	Harness C3 PS AC (fuses F1, F2 to power supply U1 CN1)	1	132-2010-10	Consult
87	Consult	Harness C4 PS AC (power switch S1 to incoming power terminal block)	1	135-0164-14	Consult
88	Consult	Harness C4 PS AC (power switch S1 to breaker Q1)	1	132-2009-33	Consult
89	209571	Harness C13 safety (P-1004 XJ9 to E stop S2, left film door sensor B12, contactor K1)	1	131-7495-50	Consult

See the [WM-Nano Wiring Diagrams](#) on [page 161](#) and [page 162](#) for harness details; 8-XX

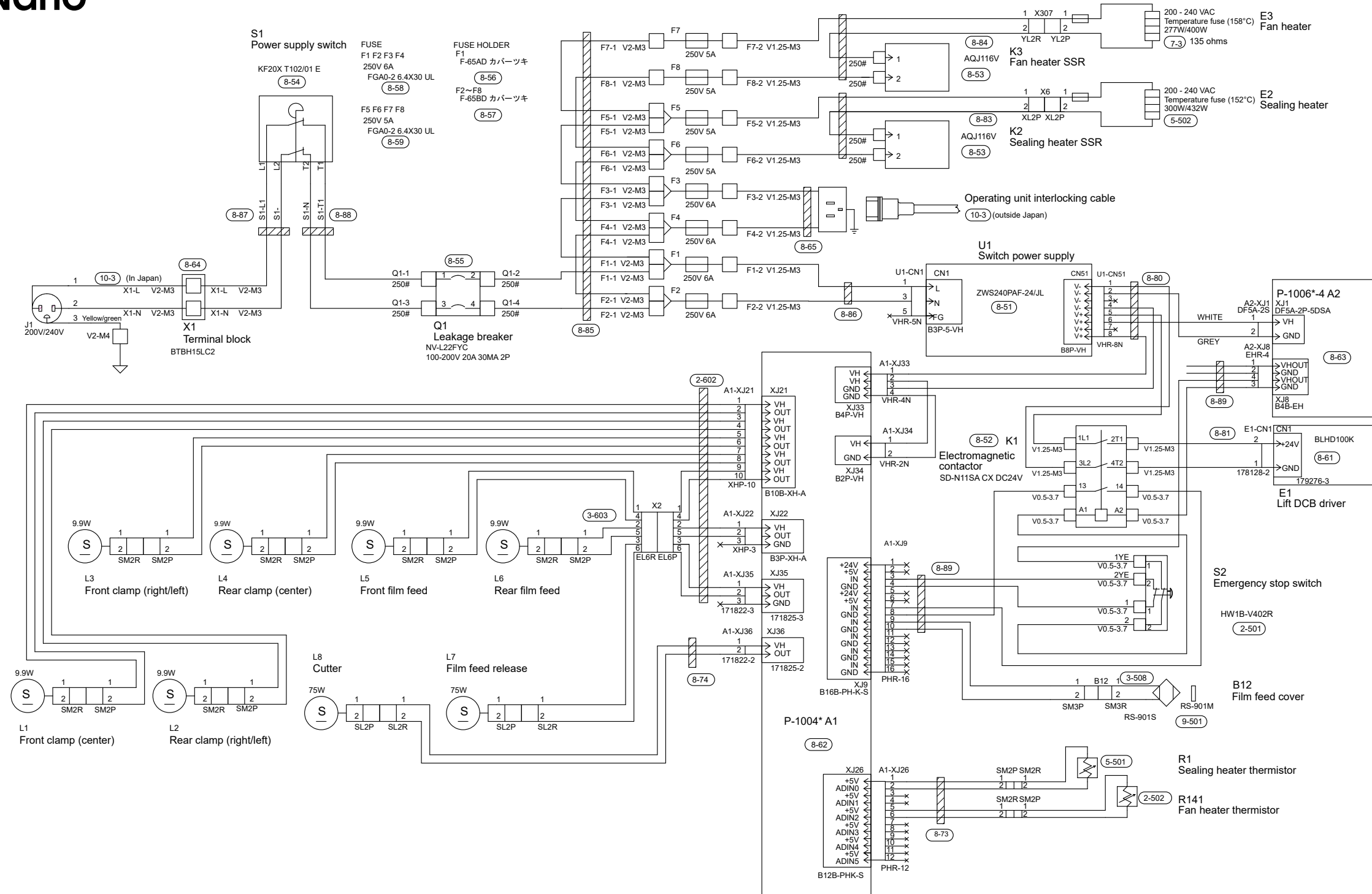
Ishida WM-Nano

Control Unit and Wiring Diagrams



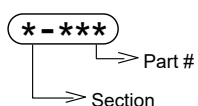
Ishida WM-Nano

Wiring Diagram, 1 of 2



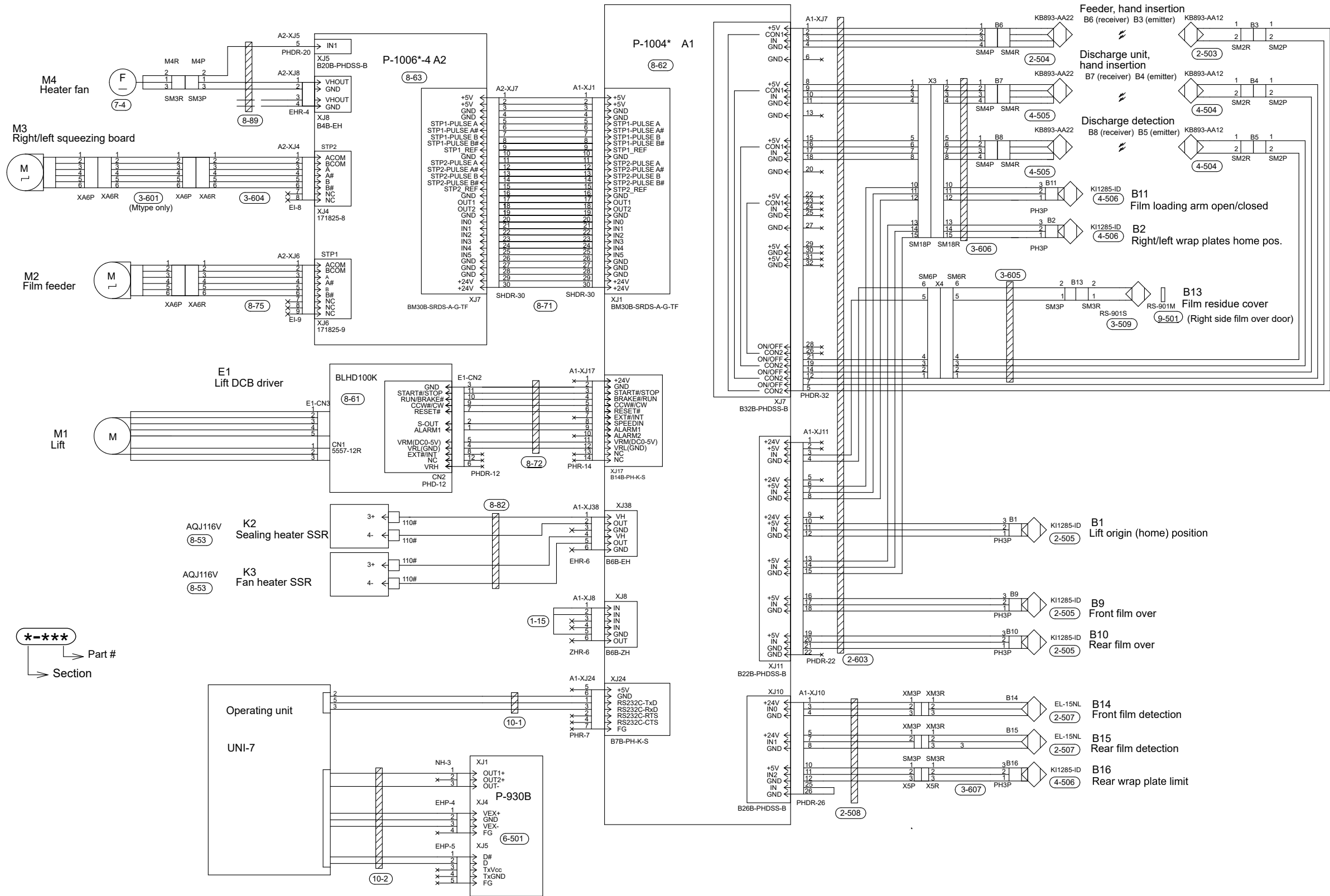
SECTION LIST

- 1, 2, 5: Wrapper main body unit
- 3, 4: Wrapping unit
- 6: Infeed unit
- 7: Fan heater unit
- 8: Control unit and wiring diagrams
- 9: Cover unit
- 10: Harness unit



Ishida WM-Nano

Wiring Diagram, 2 of 2



SECTION LIST

- 1, 2, 5: Wrapper main body unit
- 3, 4: Wrapping unit
- 6: Infeed unit
- 7: Fan heater unit
- 8: Control unit and wiring diagrams
- 9: Cover unit
- 10: Harness unit

