

REPLACEMENT parts

2019-2020



RICE LAKE[®]
WEIGHING SYSTEMS

800-472-6703

www.ricelake.com

Expanded Courses



in New Locations

Rice Lake Technical Training

New Rice Lake training options bring classes closer to you, even if you are across the globe from our training facility in Wisconsin.

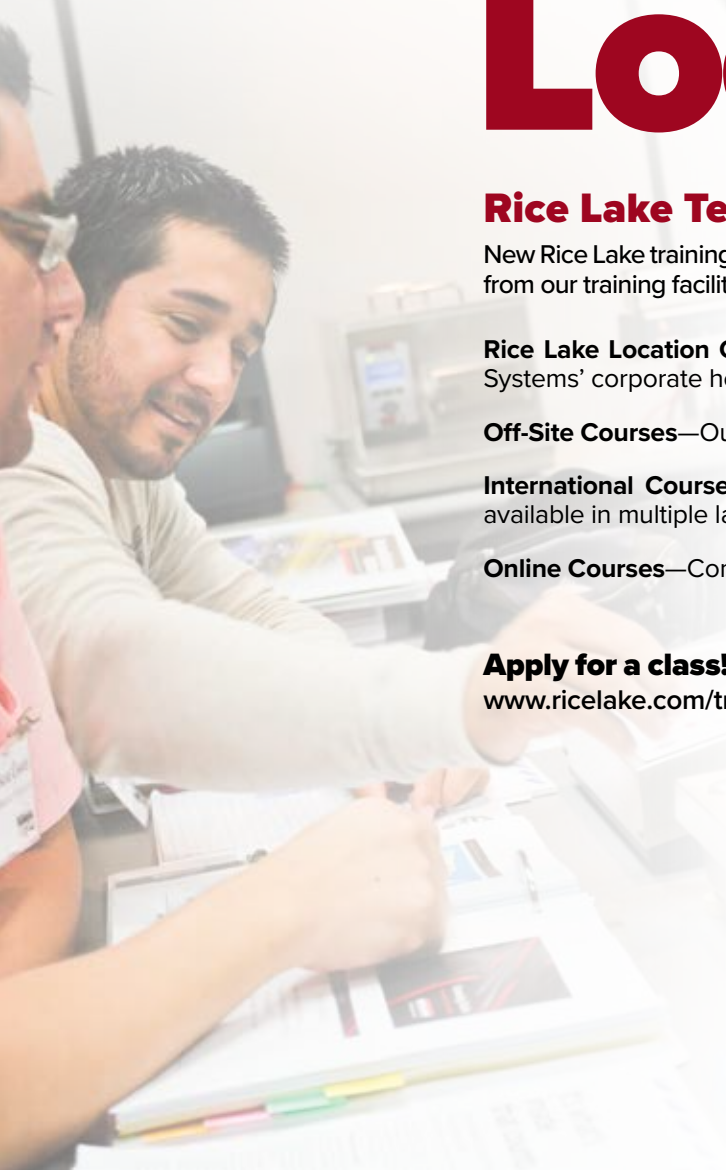
Rice Lake Location Courses—In-house instruction by experts at Rice Lake Weighing Systems' corporate headquarters

Off-Site Courses—Our instructors bring technical training to your region

International Courses—Our instructor network periodically offers training overseas, available in multiple languages

Online Courses—Complete anywhere at your own pace

Apply for a class! Call 800-472-6703 and ask for the training coordinator or visit www.ricelake.com/training for a schedule and course descriptions.



RICE LAKE[®]
WEIGHING SYSTEMS

www.ricelake.com

Table of Contents

Customer Assistance

TABLE OF CONTENTS	
TERMS AND CONDITIONS	5
WARRANTY AND LIMITATION OF LIABILITY	8
SHIPPING INFORMATION	12

Balances

TABLE OF CONTENTS	15
EQUIPOISE®	16
TC/TP/TS/TA SERIES	17
MB SERIES	18
QB SERIES	20

Bench Scales

TABLE OF CONTENTS	23
BENCHMARK® SL AND SL/HE SERIES SINGLE-POINT BENCH SCALES	24
CW-90B/CW-90XB	26
BENCHMARK® SINGLE POINT BENCH SCALES <i>12 x 12in and 12 x 18in Mild Steel</i>	27
BENCHMARK® SINGLE POINT <i>12 x 18in Stainless Steel</i>	28
BENCHMARK® SINGLE POINT <i>18 x 18in & 18 x 24in & 24 x 24in Mild and Stainless Steel</i>	29
BENCHMARK® HE-X	32
BENCHMARK® LP <i>18 x 18in or 24 x 24in 100lb/250lb/500lb</i>	34
BENCHMARK® HD	35
DIGI®	36
BENCHMARK® HDP <i>Wheel Model</i>	37
BENCHMARK® HDP <i>Caster Model</i>	38
BENCHPRO™ BP-P, BP-S, BP-R <i>Caster Model</i>	40
VERSA-PORATION®	41
DIGI®	42
DIGI® DS-520	43
ISHIDA	44
ISHIDA IPC	46
ISHIDA IGX & IGB	50

Checkweighers

TABLE OF CONTENTS	53
IQ PLUS® 2100/2100SL DIGITAL BENCH SCALE <i>2100 Base Assembly</i>	54
IQ PLUS® 2100/2100SL DIGITAL BENCH SCALE <i>Tilt Stand Assembly</i>	55
IQ PLUS® 2100/2100SL DIGITAL BENCH SCALE <i>Attachment Bracket Assembly</i>	56
IQ PLUS® 2100/2100SL DIGITAL BENCH SCALE <i>Column Assembly</i>	57
IQ PLUS® 2100/2100SL AND IQ PLUS INDICATOR <i>Backplate & Tilt Stand Assembly</i>	58

IQ PLUS® 2100/2100SL AND IQ PLUS INDICATOR <i>CPU Board and Enclosure</i>	59
CW-90/CW-90X	60
SURVIVOR® CW-80 <i>Indicator & Column Assemblies</i>	62
SURVIVOR® CW-80 <i>10 x 10in Base Assembly</i>	64
SURVIVOR® CW-80 <i>12 x 12in Base Assembly</i>	66
SURVIVOR® CW-80 <i>18 x 18in, 18 x 24in, 24 x 24in Base Assembly</i>	68
DIGI® DS-470SS	70
CW-40 OVER/UNDER CHECKWEIGHER <i>Base Assembly</i>	71
CW-40 <i>Indicator Assembly</i>	72

Counting Scales

TABLE OF CONTENTS	73
COUNTERPART®	74
DIGI® DC-400	76
DC-782	77
DC-788	78
DMC-782 <i>Coin Counting Scales</i>	79
DMC-290	80
DMC-688	81
DC-180	82
DC-19/IQ9500	83
DC-100/200/300	84
DC-688	85
DC-530	86

Floor Scales

TABLE OF CONTENTS	87
ROUGHDECK® HP, HP-H AND HC	88
ROUGHDECK® CS	89
ROUGHDECK® SS	90
ROUGHDECK® HE	91
AUTOLIFT HE <i>Pneumatic Lift Scale</i>	92
AUTOLIFT HE <i>Pneumatic Control Box</i>	93
AUTOLIFT HE <i>Pneumatic Lift Scale</i>	94
ROUGHDECK® QC-X <i>4 x 4 Scale</i>	95
ROUGHDECK® QC-X <i>5 x 5 Scale</i>	96
ROUGHDECK® QC QUICK CLEAN <i>Stainless Steel</i>	97
ROUGHDECK® SD	98
MILD STEEL ROUGHDECK® BDP PORTABILITY FRAME	100
STAINLESS STEEL ROUGHDECK® BDP PORTABILITY FRAME	101

Table of Contents

DECKHAND PORTABLE SCALE <i>Mild Steel</i>	102
DECKHAND PORTABLE SCALE <i>Stainless Steel</i>	104
RL1200 PORTABLE BEAM SCALE <i>Beam and Column Assembly</i>	106
ROUGHDECK® FXB <i>Mild Steel</i>	108
ROUGHDECK® FXB <i>Mild Steel Parts Kit and Hardware</i>	110
ROUGHDECK® FXB-SS <i>Stainless Steel</i>	112
ROUGHDECK® FXB-SS <i>Stainless Steel Parts Kit and Hardware</i>	114
SUMMIT 3000	116

Floor Scales

TABLE OF CONTENTS	119
RL-HPJ	120

Indicators / Controllers

TABLE OF CONTENTS	121
-------------------------	-----

INDICATORS

120 DIGITAL WEIGHT INDICATOR	122
120 PLUS DIGITAL WEIGHT INDICATOR	123
320IS & 320IS PLUS DIGITAL WEIGHT INDICATOR.....	124
IQ PLUS® 355 DIGITAL WEIGHT INDICATOR..... <i>Backplate & Tilt Stand Assemblies</i>	126
IQ PLUS® 355 DIGITAL WEIGHT INDICATOR..... <i>Enclosure & CPU Board</i>	128
IQ PLUS® 355 DIGITAL WEIGHT INDICATOR..... <i>Line Filter & Ground Post Assembly</i>	129
IQ PLUS® 390 DC DIGITAL WEIGHT INDICATOR	130
SURVIVOR® 390HE HOSTILE ENVIRONMENT DIGITAL WEIGHT INDICATOR	132
420 UNIVERSAL	133
SURVIVOR® 420 HE HOSTILE ENVIRONMENT DIGITAL WEIGHT INDICATOR	136
480/482 LEGEND SERIES DIGITAL WEIGHT INDICATOR BACKPLANE	138
680 SYNERGY SERIES.....	140
680 SYNERGY SERIES.....	142
IQ PLUS® 590-DC DIGITAL WEIGHT INDICATOR.....	144
720i™ PANEL MOUNT ENCLOSURE	146
<i>Panel Model</i>	
720i™ UNIVERSAL DIGITAL WEIGHT INDICATOR	148
<i>Universal Model</i>	
820i® PANEL MOUNT INDICATOR/CONTROLLER..... <i>Main Assembly</i>	150
820i® UNIVERSAL INDICATOR/CONTROLLER..... <i>Main Assembly</i>	152
880 PANEL MOUNT	154
<i>5.0 in and 5.5 in</i>	
880 PLUS UNIVERSAL ENCLOSURE.....	156

882IS/882IS PLUS INTRINSICALLY SAFE DIGITAL WEIGHT INDICATOR	158
882D	160
920i® UNIVERSAL INDICATOR/CONTROLLER..... <i>Main Assembly</i>	162
920i® UNIVERSAL INDICATOR/CONTROLLER..... <i>Power Supply</i>	165
920i® PANEL MOUNT INDICATOR/CONTROLLER..... <i>Main Assembly</i>	166
920i® PANEL MOUNT INDICATOR/CONTROLLER..... <i>CPU Board Connections</i>	169
920i® DEEP ENCLOSURE INDICATOR/CONTROLLER..... <i>Main Assembly</i>	171
920i® WALL MOUNT INDICATOR/CONTROLLER..... <i>Main Assembly</i>	174
920i® WALL MOUNT INDICATOR/CONTROLLER..... <i>Bottom View</i>	177
920i® WALL MOUNT INDICATOR/CONTROLLER..... <i>CPU Board & Power Supply Connections</i>	178
1280 ENTERPRISE UNIVERSAL ENCLOSURE	180
1280 ENTERPRISE PANEL ENCLOSURE	182
1280 ENTERPRISE WALL ENCLOSURE	184
1280 ENTERPRISE CONTROLLER ASSEMBLY	186
1280 ENTERPRISE CONTROLLER ASSEMBLY	187
<i>7 in Touch Only Screen</i>	
1280 ENTERPRISE CONTROLLER ASSEMBLY	188
<i>12 in Touch Only Screen</i>	
1280 ENTERPRISE	189

CONTROLLERS

TRACER AV	190
TRACER AVI.....	191

In-Motion Weighing

TABLE OF CONTENTS	193
A&D WEIGHING AD-4961 SERIES	194
<i>Base Assembly</i>	

Junction Boxes / Simulators

TABLE OF CONTENTS	197
iQUBE ² ® DIGITAL DIAGNOSTIC JUNCTION BOX	198
REMOTE POWER SUPPLY FOR IQUBE ² ®	200
IQUBE® DIGITAL DIAGNOSTIC JUNCTION BOXES.....	201

Medical Scales

TABLE OF CONTENTS	203
PLATFORM/FITNESS SCALE.....	204
MECHANICAL PHYSICIAN SCALES.....	205
MEDICAL INDICATOR, TITANIUM	206
150-10-7	207
<i>Floor Level</i>	
150-10-5, 150-10-6.....	208
350-10-7, 350-10-8.....	209
550-10-1	210

Table of Contents

350-10-4	211
350-10-2, 350-10-3	212
250-10-4	213
250-10-2	214
260-10-1	215
DIGITAL BABY SCALE	216
MECHANICAL CHAIR SCALE	217
PORTABLE BARIATRIC/WHEELCHAIR SCALE	218
<i>Dual Ramp</i>	
PORTABLE BARIATRIC/WHEELCHAIR SCALE	220
<i>Single Ramp</i>	
BARIATRIC/WHEELCHAIR SCALE	222
<i>Beam and Column Assembly</i>	
DIALYSIS SCALE	223
MEDICAL INDICATOR, PLATINUM	224

Portable Vehicle Scales

TABLE OF CONTENTS	225
LOAD RANGER	226
<i>Scale</i>	
LOAD RANGER	228
<i>Indicator</i>	

Printers / Keyboards

TABLE OF CONTENTS	231
TICKET PRINTERS	232
<i>Replacement Print Heads</i>	
BAR CODE LABEL PRINTERS	233
<i>Replacement Print Heads</i>	
TAPE AND TICKET PRINTER IMPACT RIBBONS	234
HONEYWELL	235
<i>Label Printers</i>	
HONEYWELL I-4206/I-4208/I-4308/I-4212/I-4212E	236
<i>Label Printers</i>	
EPSON®	237
OKIDATA	239
TICKETPRESS®	240
<i>Ticket Printer</i>	
RICE LAKE SP2200 TICKET PRINTER	242
<i>Base Assembly</i>	
RICE LAKE SP2200 TICKET PRINTER	244
<i>Mechanism Assembly</i>	
RICE LAKE SP2200 TICKET PRINTER	245
<i>Idler, Clutch, Sensor Assembly</i>	
RICE LAKE SP2200 TICKET PRINTER	246
<i>Paper Drive Assembly</i>	
RICE LAKE SP2200 TICKET PRINTER	247
<i>Print Head Assembly</i>	
RICE LAKE SP2200 TICKET PRINTER	248
<i>Switch Assembly</i>	
RICE LAKE	249
RICE LAKE SURVIVOR SST3®	251
STAR®	253
ZEBRA®	255

Remote Displays

TABLE OF CONTENTS	257
LASERLIGHT® 2	258
<i>4 Inch, 6 Inch, 4 Inch Stop/Go</i>	
LASERLIGHT®	264
<i>4 Inch, 6 Inch & 4 Inch Stop & Go</i>	
LASERLT-60 AND LASERLT-100	267
LASERLIGHT® 3M8 & 3M12	268
LASERLT RD-1550	270
RD-232 AND RD-300	272
DISPLAY, EXTERNAL MOUNT	273
<i>Tracer Airline Baggage Scale Display</i>	
DISPLAY, PANEL MOUNT RD-1 AND RD-2	274
<i>Tracer Airline Baggage Scale Display</i>	

Retail Scales

TABLE OF CONTENTS	275
RICE LAKE RS-130	276
<i>Standard Model</i>	
RICE LAKE RS-130/RS-160	278
<i>Bench</i>	
RICE LAKE RS-130/RS-160	280
<i>Pole</i>	
ISHIDA ASTRA	282
<i>Standard Model</i>	
ISHIDA ASTRA	286
<i>Pole Display Model</i>	
ISHIDA ASTRA II	290
<i>Bench</i>	
ISHIDA ASTRA II	294
<i>Pole</i>	

Weigh Modules

TABLE OF CONTENTS	299
ITCM ISOLATED TENSION CELL MOUNT ASSEMBLY	300
ITCM SS ISOLATED TENSION CELL MOUNT ASSEMBLY	301
<i>Standard Model</i>	
ITCM ISOLATED TENSION CELL MOUNT ASSEMBLY	302
<i>IP-67</i>	
RL50210 TA/65059 MINI TANK WEIGHING ASSEMBLY	303
<i>Mild Steel Construction</i>	
RL50210 TA MINI TANK WEIGHING ASSEMBLY	304
<i>Stainless Steel Construction</i>	
RL50210 TA/65059 MINI TANK WEIGHING ASSEMBLY	305
<i>500 lb Capacity</i>	
RL50210 TA/65059 MINI TANK WEIGHING ASSEMBLY	306
<i>1000-2500 lb Capacities</i>	
RL2200 LOAD CELL MOUNTING KIT	307
<i>Mild Steel</i>	
RL2200 LOAD CELL MOUNTING KIT	308
<i>Stainless Steel</i>	
RL1800 SERIES MOUNTING ASSEMBLY	309
<i>Mild Steel</i>	
RL1800 SERIES MOUNTING ASSEMBLY	310
<i>Stainless Steel</i>	

Table of Contents

RL1900 SERIES MOUNTING ASSEMBLY	311
<i>Stainless Steel</i>	
RL1600/65016 TWA SERIES TANK WEIGHING ASSEMBLY	312
<i>Cast Iron</i>	
RL1600/65016 TWA SERIES TANK WEIGHING ASSEMBLY	313
<i>Mild Steel</i>	
RL1600/65016 TWA SERIES TANK WEIGHING ASSEMBLY	314
<i>Stainless Steel</i>	
EZ MOUNT 1 TANK-MOUNTING ASSEMBLY	316
<i>Mild Steel</i>	
EZ MOUNT 1 TANK-MOUNTING ASSEMBLY	317
<i>Stainless Steel</i>	
SURVIVOR® 2100HE WEIGH MODULES	319
SURVIVOR® 1700HE WEIGH MODULES	320
<i>Stainless Steel</i>	
PARAMOUNTS® MOUNTING ASSEMBLY-FIXED PIN MOUNT	321
<i>Mild Steel</i>	
PARAMOUNTS® MOUNTING ASSEMBLY-FIXED PIN MOUNT	323
<i>Stainless Steel</i>	
PARAMOUNTS® MOUNTING ASSEMBLY-SIDE STOP MOUNT	325
<i>Mild Steel</i>	
PARAMOUNTS® MOUNTING ASSEMBLY-SIDE STOP MOUNT	327
<i>Stainless Steel</i>	
PARAMOUNTS® MOUNTING ASSEMBLY-FREE SLIDING MOUNT ..	329
<i>Mild Steel</i>	
PARAMOUNTS® MOUNTING ASSEMBLY-FREE SLIDING MOUNT ..	331
<i>Stainless Steel</i>	
MVS TRUCK SCALE WEIGH MODULE	333
TSA TRUCK SCALE ASSEMBLY	334
TRUCK AND RAILROAD TRUCK MOUNT ASSEMBLY	335
<i>Magnamount® Tank</i>	
MAGNAMOUNT® TANK	336
<i>Truck and Railroad Truck Mount Assembly</i>	
TRANSLINK™ PARALLEL LINK TRUCK SCALE ASSEMBLY	337
METTLER TOLEDO™ BRIDGEMASTER™ TRUCK SCALE	338
METTLER TOLEDO BRIDGEMASTER MODEL 7500	339
RL9000TWM SERIES	340

Terms and Conditions

The terms “buyer,” “authorized reseller,” and “customer” as used herein, shall mean the party placing the purchase order with Rice Lake Weighing Systems. No contractual relationship between Rice Lake Weighing Systems and said party shall arise until such time as a purchase order has been accepted by Rice Lake Weighing Systems and such acceptance has been indicated on a written acknowledgment. Tenders which do not stipulate an acceptance period shall not be binding. Orders shall be subject to Rice Lake Weighing Systems’ standard terms and conditions as printed below, subject to correction for clerical errors.

These sales terms and conditions shall be binding if declared applicable in the tender or in the order acknowledgement. Any conditions stipulated by the buyer which are in contradiction to these sales terms and conditions shall only be valid if expressly acknowledged by Rice Lake Weighing Systems in writing.

1. Prices

(a) Rice Lake Weighing Systems (Rice Lake) prices are net 30 days Ex Works Rice Lake plant. Orders are subject to approval of our credit department with rights reserved to change or withdraw credit terms without notice and to terminate any orders when invoices for work done thereon have gone unpaid for 60 days.

(b) Prices do not include taxes of any kind by federal, state, municipality or other governmental authority, which Rice Lake may be required to collect or pay with respect to the sale or shipment of goods sold hereunder. Regardless of when any such taxes are determined or become payable, all taxes would be the responsibility of the customer and would be in addition to the prices quoted hereon.

(c) This quotation is made upon the basis of the cost of materials and labor as of the date of this quotation. A change in such costs shall give Rice Lake the right to alter prices to reflect such changes in cost.

(d) Requests for additional documentation, drawings, audits of factories or inspection of equipment in-process, additional testing, additional inspections and record retention will be quoted as a separate item even if we have already issued quotations for products and services.

2. Shipment, Title, Risk of Loss

(a) All shipments are Ex Works point of shipment. Title and risk of loss or damage passes to the customer upon presentation of the goods to the customer’s carrier at Rice Lake’s facility, except that title and risk of loss or damage as to customer’s partially manufactured parts and raw materials delivered to Rice Lake, and as to jigs, fixtures and tools specially ordered for the customer shall at all times remain with the customer.

(b) Rice Lake does not carry fire insurance upon jigs, fixtures and tooling built by Rice Lake for customers or supplied to Rice Lake by customers, nor does Rice Lake carry insurance upon raw materials supplied to Rice Lake by customers. Customers assume all risk of loss, damage or destruction of jigs, fixtures, tooling or raw materials belonging to the customer in Rice Lake custody caused by fire, water, gas, natural disasters, strikes,

insurrection, riots or by acts of the civil or military authorities and whether or not such loss, damage or destruction was the result of our negligence or misconduct or that of our agents or employees. The customer agrees to indemnify and hold Rice Lake harmless from all direct and consequential costs and damages resulting from such loss.

(c) Except as hereinabove stated, we agree to maintain all jigs, fixtures and tooling built by Rice Lake in working condition for their normal life only, except that our liability in this respect shall not extend more than one year after the completion of the most recent production order.

3. Quantity, Materials and Tolerances

(a) Unless dimensions are limited by a specific tolerance, it is understood that the production variations as published by Rice Lake will be acceptable.

(b) Rice Lake will not be responsible for color, thickness variations, or flaws in sheets or parts from which fabrications are made, nor for other material variations beyond our control.

(c) Rice Lake assumes no responsibility for loss or damage occurring by reason of delay or inability to deliver caused by fires, strikes, accidents, embargoes, car shortages, delays of carriers, insurrection, riots, acts of the civil or military authorities, nor will we assume responsibility for any reason whatever for damages of any kind on account of failure to deliver at the time specified. The customer shall indemnify and hold Rice Lake harmless from all direct and consequential costs and damages resulting from such loss or delay.

(d) Unless otherwise specified, delivery of 10 percent more or less of completed parts than the quantity specified shall constitute fulfillment of this order and any excess not exceeding 10 percent shall be accepted and paid for by the customer.

(e) In the event any raw material specified for incorporation into the product covered by this proposal shall become unavailable, Rice Lake shall notify the customer and the customer may direct Rice Lake to substitute available material for that originally specified; it being understood and agreed that the customer shall assume any and all consequences resulting from such substitution.

4. Patents

If this quotation covers parts made specifically for the customer, the customer agrees to indemnify and hold Rice Lake harmless against any loss resulting from infringement of patents or trademarks, or from claims of such infringements and shall pay all legal and defense costs incurred by Rice Lake in the defense of such actions.

5. Software

Unless specifically otherwise stated, any and all software associated or part of any product sold, loaned on trial or demonstration to the customer is to be considered proprietary to Rice Lake. The customer agrees not to duplicate for distribution or to sell or distribute in any way without the prior written consent of Rice Lake.

Terms and Conditions

6. Changes and Cancellation: Rejection, Claims

(a) Orders placed with Rice Lake are not subject to cancellation, change or reduction in amount or suspension of deliveries except with Rice Lake's consent and upon terms that indemnify Rice Lake against loss. Unless confirmed in writing, all verbal agreements are void.

(b) Rice Lake will not be responsible for changes in design, deliveries or other instructions, unless they are furnished in writing. The customer agrees to pay for all tooling charges caused by changes in design or specifications.

(c) Samples submitted shall be deemed approved unless written rejection is received within two weeks of submission.

(d) Manufactured parts will be shipped and billed as they are produced.

(e) Claims for shortage or rejections for defects must be made within 10 days of receipt of goods. Credit will be rendered on such defective parts after we have had an opportunity to inspect them, provided they are returned to our factory, transportation charges prepaid, within 30 days, and provided they have not been altered or defaced in any way.

7. Tooling and Designing

(a) In consideration of the engineering service necessary in the designing of jigs, fixtures and tooling not being charged for, but being quoted on the basis of labor and material only, and not at their fair market value, such jigs, fixtures and tooling shall remain in our possession for at least one year. Thereafter, the customer desiring delivery of such jigs, fixtures and tooling shall pay an engineering charge of 50 percent of the original price of said jigs, fixtures and tooling and accept same as-is.

(b) When requested, we will submit suggestions concerning design and construction of parts, but we will not accept responsibility of liability for the practicability of these suggestions if adopted by the customer.

8. Delivery and Adjustment to Price

(a) If the customer requests that the goods be manufactured and shipped on a date (or dates) earlier than originally agreed to by Rice Lake and the customer, and Rice Lake agrees to the earlier date (or dates), any increase in the cost of performance incurred by Rice Lake resulting from earlier manufacture and shipment will be included in an adjustment of the purchase price to be made by Rice Lake and will be paid by the customer.

(b) Should shipments be held beyond scheduled date for convenience of the customer, goods will be billed and charges will be made for warehousing, trucking and other expenses incident to such delay. Reasonable and sufficient care is taken by Rice Lake in crating its goods. Rice Lake cannot be held responsible for breakage after having received "in-good-order" receipts from the transportation carrier. All claim for loss and damage must be made by the customer to the carrier, but we will assist insofar as practical in securing satisfactory adjustment of such claims.

9. Payment and Liens

(a) All invoices shall be due and payable when submitted for payment in accordance with the revisions of Rice Lake terms. No withholding of funds, back charges or credits against amounts otherwise due to Rice Lake will be permitted unless specifically agreed to in writing by Rice Lake. Settlement of any amounts due to the customer will be negotiated as separate items and not as offsets against amounts otherwise due to Rice Lake from the customer for products sold hereunder.

(b) Any unpaid account for work done shall constitute a lien on any jigs, fixtures, manufactured parts and raw materials in Rice Lake possession. In the event any account remains open and unpaid for 90 days, Rice Lake reserves the right to use the customer's jigs and fixtures to make parts therefrom, and to sell or dispose of manufactured parts and raw materials.

(c) The customer shall not assign or transfer any rights or obligations arising from this proposal, or monies payable thereunder, without the prior written consent of Rice Lake, and any such assignment or transfer made without such written consent shall be deemed null and void.

10. Additional Provisions

(a) Errors—stenographic and clerical errors are subject to correction.

(b) These terms and conditions constitute the entire contract between the customer and Rice Lake, transcending any oral arrangements or representations which may be inconsistent therewith.

(c) This quotation is made under and shall be governed by the laws of the state of Wisconsin.

11. Resale of Rice Lake Weighing Systems Products

In order to ensure compliance with the U.S. Export Administration Regulations we ask you to comply with the following:

(a) The customer shall not export or re-export Rice Lake Weighing Systems products, either directly or indirectly, in contravention of any applicable law, statute or regulation and will first obtain any required licenses or authorizations from the relevant government authority when necessary as prescribed by law.

(b) The customer confirms that it is familiar with and complies with the relevant national and international export control regulations and embargo regulations. The customer furthermore confirms that it is in particular familiar with and complies with the U.S. Department of Commerce, Export Administration Regulations; U.S. Department of Treasury, OFAC Sanctions; the U.S. Department of Defense, ITAR requirements and the U.S. Department of State regulations.

(c) If deemed necessary, Rice Lake Weighing Systems, in individual cases may make further requests from the customer for information required for export compliance.

Terms and Conditions

(d) Should it be necessary for the customer to obtain an export license from the appropriate authorities pursuant to the aforementioned regulations, the customer shall apply for such a license autonomously and at their own expense.

The foregoing warranties are exclusive and in lieu of all other express and implied warranties whatsoever, including but not limited to implied warranties of merchantability and fitness for a particular purpose. Rice Lake shall not be subject to any other obligations or liabilities whatsoever with respect to parts manufactured or supplied by Rice Lake or services rendered by it.

Anything herein to the contrary notwithstanding, Rice Lake shall not be liable for incidental and consequential damages, and in substitution for all remedies which the customer may have under any applicable law. The customer's sole and exclusive remedy against Rice Lake for any breach of warranty or any other breach relating to goods delivered pursuant hereto shall be for repair or replacement (at Rice Lake's option) of the goods or parts effected by such breach.

Warranty and Limitation of Liability

Warranties

Standard Product Limited Warranty

Rice Lake Weighing Systems (Rice Lake) warrants that all Rice Lake brand equipment and systems properly installed by an Authorized Reseller or original equipment manufacturer (OEM) will operate per written specifications as confirmed by the authorized reseller/OEM and accepted by Rice Lake. All systems and components are warranted against defects in materials and workmanship for one (1) year from the date of shipment from Rice Lake, unless otherwise stated in the product catalog or manual. Rice Lake warrants that the equipment sold here under will conform to the current written specifications authorized by Rice Lake. Rice Lake warrants the equipment against faulty workmanship and defective materials. If any equipment fails to conform to these warranties, **Rice Lake will, at its option, repair or replace such goods returned within the warranty period subject to the following conditions:**

Upon discovery by the Customer of such nonconformity, Rice Lake will be given prompt written notice with a detailed explanation of the alleged deficiencies.

Individual electronic components returned to Rice Lake for warranty purposes must be packaged to prevent electrostatic discharge (ESD) damage in shipment. Packaging requirements are listed in the publication, "Protecting Your Components From Static Damage in Shipment," available from the Rice Lake Equipment Return Department.

Examination of such equipment by Rice Lake confirms that the non-conformity actually exists, and was not caused by accident, misuse, neglect, alteration, improper installation, improper repair, or improper testing. Rice Lake shall be the sole judge of all alleged non-conformities.

Such equipment has not been modified, altered, or changed by any person other than Rice Lake or its duly authorized repair agents.

Cutting the load cell cable will void the warranty.

Rice Lake will have a reasonable time to repair or replace the defective equipment. The Customer is responsible for shipping the product to Rice Lake. Rice Lake is responsible for shipping the product back to the Customer.

In no event will Rice Lake be responsible for travel time or on-location repairs, including assembly or disassembly of equipment. Nor will Rice Lake be liable for the cost of any repairs made by others.

On all intrinsically safe equipment, any field repair or modifications voids any and all warranties expressed or implied and void F.M. approval.

Any loose hardware, screws, washers or non-ESD bags of hardware stored inside indicator will void warranty. This could cause harm to repair technician or damage CPU board.

If just the board is sent in for repair, the serial number of the product the board is from should accompany the board.

These warranties exclude all other warranties, expressed or implied, including without limitation warranties of merchantability or fitness for a particular purpose. **Neither Rice Lake nor the authorized reseller will, in any event, be liable for incidental or consequential damages at the point of use. Rice Lake and the Customer agree that Rice Lake's sole and exclusive liability here under is limited to repair or replacement of such goods. In accepting this warranty, the Customer waives any and all other claims to warranty.**

Should the seller be other than Rice Lake, the Customer agrees to look only to the seller for warranty claims. No terms, conditions, understanding, or agreements purporting to modify the terms of this warranty shall have any legal effect unless made in writing and signed by a corporate officer of Rice Lake and the Customer.

Carrier Product Damage

As part of our commitment to customer satisfaction and in accordance with ISO 9001 standards, we make every attempt to pack our products so they will arrive in new condition. Occasionally due to rough handling or carelessness, product may arrive in a damaged condition. When this happens, don't assume that the shipment left Rice Lake in that condition or that the original packing was not sufficient.

The receiver, whether it is the authorized reseller or their Customer, is responsible for making a notation of damaged or missing items when signing the carrier's delivery receipt. If you or your Customer are not sure whether there is damage, we suggest adding a statement "CONDITION UNKNOWN" to the delivery receipt. In the event that damage or missing items are not properly documented at time of receipt, the carrier is relieved of responsibility and the receiver is then responsible for the cost to get the product back to new condition.

After the damage or shortage has been properly noted with the carrier, contact Rice Lake immediately and keep all the original packaging material for inspection by the carrier's representative. It is also helpful in the claim process to take pictures of the condition of the packaging and damage.

When drop-shipping items to your Customers, it is imperative that you advise them of their responsibility in accepting shipments from common carriers. Even if the equipment is not expected to be installed or used for a period of time, the shipment must be inspected at time of receipt in order to preserve their rights for making a claim.

Custom Software Limited Warranty

Rice Lake Weighing Systems (Rice Lake) warrants that (a) the software will perform in accordance with the specification and accompanying written endorsement by the Customer for a period of 90 days from the date of receipt; (b) any hardware accompanying the software will be free from defects in materials and workmanship under normal use and service for a period of one (1) year from the date of shipment from Rice Lake; and (c) the Customer should perform inspection and testing of software products prior to installation.

Warranty and Limitation of Liability

This limited warranty is void if failure of the software or hardware has resulted from accident, abuse, misapplication, or incorrect Customer specification. Any replacement software will be warranted for the remainder of the original warranty period or 30 days, whichever is longer.

If the software fails to conform to these warranties, Rice Lake will, at its option, repair or replace such goods returned within the warranty period subject to the following conditions:

Upon discovery by the Customer of such nonconformity, Rice Lake will be given prompt written notice with a detailed explanation of the alleged deficiencies.

Examination of software by Rice Lake confirms that the nonconformity exists, and was not caused by accident, misuse, neglect, alteration, improper installation, improper repair, improper testing, or incorrect Customer specification. Rice Lake shall be the sole judge of all alleged non-conformities.

Rice Lake will have a reasonable time to repair or replace the software. The Customer is responsible for shipping charges both ways.

In no event will Rice Lake be responsible for travel time or on-location repairs, including assembly or disassembly of equipment. Nor will Rice Lake be liable for the cost of any repairs made by others.

These warranties exclude all other warranties, expressed or implied, including without limitation warranties of merchantability or fitness for a particular purpose.

Neither Rice Lake nor the authorized reseller will, in any event, be liable for incidental or consequential damages at the point of use.

Rice Lake and Customer agree that Rice Lake' sole and exclusive liability here under is limited to repair or replacement of such goods. In accepting this warranty, the Customer waives any and all other claims to warranty.

Should the seller be other than Rice Lake, the Customer agrees to look only to the seller for warranty claims.

No terms, conditions, understanding, or agreements purporting to modify the terms of this warranty shall have any legal effect unless made in writing and signed by a corporate officer of Rice Lake and the Customer.

Return Policies

Our commitment to our Customers states that if any standard product purchased from Rice Lake does not work, or if the incorrect product is shipped, **return it in its original shipping carton with all accessories in "like new" condition** for full credit or replacement within 30 days of purchase. **Electronic components returned to Rice Lake must be properly packaged to prevent electrostatic discharge (ESD) damage in shipment.** Packaging requirements are listed in the publication, "Protecting Your Components from Static Damage in Shipment," available online or from our Returns Department.

This policy and the 30-day limit also apply to any products drop-shipped directly from the manufacturer.

Please note that if an incorrect quantity of product was shipped, Rice Lake must be contacted within 10 days of the purchase. Upon notification, we will immediately correct the situation.

A restocking charge will apply if equipment is not in like-new condition. The restocking charge is directly proportional to the amount of time and material required to return the item to resalable condition—we will make every effort to do this quickly and economically. Equipment that has been abused and/or shows signs of excessive wear and cannot be reconditioned and resold will not be accepted for return or credit after excessive wear or has been modified.

As Applied to Drop Shipments

All Rice Lake return guidelines apply to products drop-shipped directly from the manufacturer. If a perceived error occurs, Rice Lake will investigate to the best of our ability to determine if the error occurred prior to shipping, during shipping, or at the end user site. If our records and subsequent investigation indicate that the shipment was correct when it left our factory, our responsibility extends only to the authorized reseller, not their end user. Our standard product warranty notes that our coverage extends

only to equipment and systems **properly installed by an authorized reseller.**

Obtaining an RMA

A return authorization number (RMA) is required for all materials being returned to Rice Lake for credit. Flat rate repairs require purchase orders at time of RMA issuance. When returning equipment for repair or warranty reimbursement consideration, these simple steps will help to expedite your request:

1. Call our Returns Department.
2. Please have your customer number and both the item description and problem for a repair.
3. Please have the original sales order or invoice number for items to be returned for credit or warranty.
NOTE: See return policy
4. An RMA number will be given for eligible returns. This RMA number may also be faxed or emailed per your request.

Return Shipments Outside the United States for Repair, Warranty, Calibration or Other Services and Re-export.

For shipment to the USA:

1. The commercial invoice must include the following statement:
 - i. "These goods are being returned for maintenance under"
 - ii. Goods Made in the USA -- "HTS 9801.00.1012"
 - iii. Goods NOT made in the USA -- "HTS 9801.00.2500"
2. The commercial invoice must list items individually and include the fair market value of the item based on its present condition for customs purposes only.
3. Please reference original Rice Lake commercial invoice number and date item was purchased if applicable.

Warranty and Limitation of Liability

4. Please note that failure to follow these procedures may cause delay and will certainly incur extra charges that will NOT be absorbed by Rice Lake.

Return Shipments Outside the United States Other Than for Repair, or Service Work Not Being Returned.

For shipment to the USA:

- The commercial invoice must include the following statement:
 - Goods Made in the USA -- "HTS 9801.00.1045"
 - Goods NOT made in the USA -- "HTS 9801.00.2500"
- The commercial invoice must list items individually and include the fair market value of the item based on its present condition for customs purposes only.
- Please reference original Rice Lake commercial invoice number and date item was purchased if applicable.
- Please note that failure to follow these procedures may cause delay and possible reduction in your refund.
- Please be advised that you may qualify for a refund of your duties and should contact your local customs authority for instructions and forms.

Special Order, Modified, Non-Catalog, or Non-Stock Items

Due to the added resources and difficulty in reselling special or non-standard products, returns or credit are not allowed for special order equipment, special software programs, equipment physically modified or altered in the field, discrete electronic components, relays, manuals, or opened software packages.

Calibration Test Weights

All weights returned for credit will be assessed a restocking charge because of the required inspection and verification. Credit is not allowed for serialized weights, calibration or traceable services performed on weights.

Calibration Test Weights

No returns will be accepted for items that are specifically modified for the Customer's requirements. Examples of such modifications may include, but not necessarily limited to:

- Weights that have been specifically built to the customer's specifications.
- Standard product specifically modified to the customer's specifications.
- Standard product engraved with serial numbers at the customer's request.
- Laboratory procedure charges.
- Laboratory documentation fees.

Balances

Balances returned for credit within 30 days of purchase may be subject to a restocking fee if assessed by balance manufacturer.

Balance Repair Policy and Rates

We offer repair support on the following balance models:

- All Rice Lake brand models: Once we receive the equipment and the RMA form, an estimate will be prepared.

A minimum charge of one hour will apply. All balance repairs are covered by a 90-day limited warranty on parts and workmanship performed and noted under the scope of the specific repair. Balances must be packaged to adequately protect them from damage in transit. Please refer to "How to Prepare a Balance for Shipment" available on our website and from our Returns Department.

How to Prepare a Balance for Shipment

The best and most effective method for shipping a balance at any time and for any reason is to use the original manufacturer's packaging materials and subsequently double box it as described below. Teach your Customers to retain the packing set. Please remember that due to the nature of the equipment, new packaging materials can be very expensive.

In the event that the original manufacturer's packaging materials are not available, follow these instructions for top loading balances.

- Remove the weighing platform cover, support buttons, weighing platform, floor plate and other devices installed in the weighing chamber. Pack these pieces individually in bubble wrap and tape the wrapping closed. Follow this same procedure for AC adapters and power cords. Please note that AC adapters and power cords are necessary to adequately evaluate the problem.
- Examine the device (refer to the operating instructions) and if necessary, re-install or tighten any shipping screws/retaining devices to prevent damage to the weighing mechanism during shipment.
- If the floor plate is not removable, ensure it is securely in place and cannot come loose during shipment, even if the balance is inverted. Do NOT invert the balance to test the security of the floor plate.
- Clean the device of any loose debris or potential contaminants to our testing facility.
- Prepare and sign a Statement of Decontamination (form #0679). This form MUST be included in a separate packing list envelope on the outside of the box with the "Statement of Decontamination Form" statement clearly visible.
- Using Scotch tape or "speed" tape, tape all the glass doors on the device CLOSED. Be sure the tape is securely affixed and will not come off during shipment. Please note that on some devices, the glass breeze-break around the weighing chamber can actually be disassembled and packed separate prior to shipment. Refer to the manufacturer's operating instructions. If this is a feature of the device being return, disassemble the breeze break and pack it in its own packing material and box.
- Use a large box that will provide a minimum of 3 inches of space around the device for loose-fill packing material.
- Place a padding of foam or Styrofoam (at least 1 inch thick) at the bottom of the box.
- Place the balance in a large plastic bag and seal the bag closed.

Warranty and Limitation of Liability

10. Please put the device on top of the foam padding or Styrofoam from step 8 above.
11. Ensure that there is at least three inches of clearance between the top of the balance and the top of the box.
12. Using generous amounts of anti-static loose-fill packing material, fill all the spaces around the balance. Shake the box to cause the material to settle and add additional loose fill as necessary.
13. Place the small box containing all the items from step 1 above on top of the loose fill covering the balance. Add additional loose fill to completely cover all items within the box.
14. Double pack this box in another box that will again provide an additional two inches of space around the inner box. Fill all existing space between the inner and outer box with copious amounts of anti-static loose fill packing material.
15. Seal the box and include all the necessary documentation on the outside of the box. Don't forget the Decontamination Form (form #0679) from step 5 above.

- Purchase Order Number for Flat Rate Repair: Once we receive the equipment and the RMA, equipment for flat rate repair will be processed immediately. Other equipment will be evaluated and a minimum evaluation charge will apply (contact the factory for exact pricing).

You may be asked about the possibility of a new replacement product. It may be in your customer's best interest to explore the option of purchasing a new product if the repair will exceed 50 percent of authorized reseller net price, since new products carry full-warranty benefits.

Please note that our hourly service rate on all current Rice Lake products. Contact the factory for exact pricing. There is a 120-day limited warranty on parts and workmanship performed and noted under the scope of the specific repair.

Repair Service Policies

Our Service Department is staffed Monday through Friday from 6:30 A.M. to 6:30 P.M., and Saturday from 8:00 A.M. to noon, Central time. For those utilizing the conveniences of the internet, we have an e-mail address dedicated to technical support. Please contact Rice Lake at service@ricelake.com for answers to your technical questions and the status of repair products during normal business hours.

We provide quality and timely repairs for the products we sell. Flat rate repair is offered for selected models of indicators, printers and remote displays. Prior to returning a product for repair, our returns department will work with you to determine some key factors that will help Rice Lake better serve you. Please provide the following via phone to extensions 5348 or an RMA form.

- Customer Number: Without a customer number we cannot issue an RMA number.
- Ship-to Address: Your customer number will bring up the bill-to address. You must inform Rice Lake of the ship-to address if it's different than the bill-to address.
- **Original sales and invoice orders: Required on warranty claims.**
- Freight Type: Unless stated otherwise, we ship the device back to you utilizing the same freight type in which we received it. If Rice Lake is responsible for freight charges, the carrier will be selected at the sole discretion of Rice Lake.
- **Definition of Product and Problem: Please provide as much detail as possible regarding the type of product, application and problem.**

Shipping Information

FREIGHT SERVICES OFFERED	"SMALL PACK"	LTL	TRUCK LOAD
Nationwide Same Day Service	Y* ***	Y*	N
Next Day (AM)	Y**	Y**	Y**
Next Day (END OF DAY)	Y	Y**	Y**
2 Day	Y	Y	Y
3 Day	Y	Y	Y
Ground	Y	Y	Y
Canada	Y	Y	Y
Mexico	Y	Y	Y
Express Freight (Air-over 150 lb)***	Y	Y	N
International (Sea)	Y	Y	Y
International (Air)	Y	Y	N

* Subject to cost/distance

** Subject to distance

*** Subject to flight availability and proximity of nearest airport

Same Day Services

These services do not carry the same service guarantees that standard delivery schedules do and are subject to availability.

Small Parcel Services

We ship with internationally recognized parcel carriers based on delivery time and services offered.

Determining Dimensional Weight for Small Parcel Shipments for Air and Ground

When shipping via air services, couriers require that the shipping weight be determined by the greater of the actual weight of the boxed product or its dimensional shipping weight. The formula for calculating dimensional shipping weight is as follows:

Domestic shipments via Ground or Air: $L \times W \times H / 139$.

International air shipments $L \times W \times H / 139$.

Please note: Rice Lake Weighing Systems takes the added precaution of double-boxing some of our electronic products and balances. This may result in higher dimensional weight charges by the carrier. Even with this added precaution, we suggest that you always ship high precision and fragile products via air services to reduce excessive handling.

Less Than Truck Load (LTL)

Full service LTL coverage for the continental United States, Puerto Rico, Canada and Mexico.

Note: A standard LTL delivery is considered to be one that ships from either a company or partner dock to arrival at a standard commercial address with disposition of the goods at the rear of the truck to enable off loading by material handling equipment provided by the consignee at either ground level or via loading dock. Allied to this, the freight in question should be palletized and secured in a way to facilitate the safe handling of the freight with no one dimension over seven feet, six inches.

Any LTL delivery falling outside of this criteria may well accrue accessorial charges levied by the carrier in line with their tariff rules. It is recommended that any potential accessorial cost are discussed at the time of order placement so that these costs can be billed appropriately at the time of shipment. If this is not the case, Rice Lake reserves the right to charge the customer retrospectively for any accessorial costs incurred during the delivery process.

Accessorial charges include, but are not limited to the following:

Lift gate, call for appointment and guaranteed delivery: Day and by 10:30 a.m. (where available). Excessive length, inside delivery

NOTE: To inside of first threshold crossed only, high cost delivery areas such as government sites and mines, re-delivery, re-consignment, residential and restricted access shipments. All prices are available on request.

Full Truckload

Various truckload providers give us the ability to ship to the contiguous United States, Alaska, Canada and Mexico.

Forwarders (International Freight)

We can provide service through a forwarder of our choice, or select one of your preferred forwarders.

Air freight: All of our forwarders are internationally recognized brands.

Ocean freight: All of our forwarders are internationally recognized brands.

Rice Lake Weighing Systems Freight Claims Procedure

Incidents can happen anytime between a package's departure from Rice Lake's loading dock and the time you receive it. For that reason, we are asking you to follow the procedures below when receiving a shipment.

The Bill of Lading (BOL) or Delivery Receipt (D/R) is the only record of the product's condition when it arrives at your site. If you do not inspect a shipment before signing, you are essentially waiving the right to collect on a damage claim regardless of whether the damage is visible or concealed. Your signature on a delivering carrier's BOL or D/R constitutes acceptance of the merchandise "as is." This proof is essential in filing a claim and holding the responsible parties accountable for items damaged or missing while in transit. Remember, once you sign, the goods and the responsibility are yours.

Receiving a Shipment

- Check immediately for possible damage during shipment. Inspect, examine and inventory your delivery as it is unloaded.
- Open cartons and containers. Any suspicion of damage or shortage must be noted on the BOL or D/R. This information must include the item, discrepancy and condition of the item in question. If this is NOT noted, the liability to prove the damage was done by the delivering carrier is your responsibility.
- The driver cannot leave your receiving dock until the BOL or D/R is signed, regardless if they are behind schedule or not. Do not be intimidated by the driver.

Damaged Shipment

- **Discovered Damage:** If the box, crate or merchandise is visibly damaged, beyond what you would consider to be normal shipping wear and tear, refuse the delivery and request a Return Authorization Number from the driver in order for the shipment to be sent back to its origin at no charge.
- **Concealed Damage:** Immediately document and photograph the damage and packaging. Keep all crating and packaging material with the damaged item(s) for inspection by the company's claim inspector until told to either return or dispose of the item(s). The item should be moved minimally; only to an area where it can be inspected by the carrier or their agent.
- Keep a second copy of the BOL or D/R noting the damage and the driver's signature.
- Call your Rice Lake Weighing Systems customer service representative to report the shortage and/or damage. Ideally, the call should be made before the driver leaves the site.

At this point, a claim for concealed damage will be started and an inspection will be requested. The inspector will determine if the damage was possibly caused by the carrier. A report and claim must be filed with the carrier within seven days after delivery. The sooner concealed damage is discovered and reported, the better.

Small Parcel Shipments

In general, it is the policy of small parcel carriers to NOT deliver damaged packages but rather take them back to the distribution center for evaluation. HOWEVER, that does not always happen. Occasionally if the package is deemed to be ok, it will be re-taped and delivered to the consignee. If damage is noticed while still at the distribution center, a notation should have been entered into the system.

If you do receive a package that appears to be damaged you can either refuse as damaged or you can accept the damaged package and report the damage (immediately) to your customer service representative here at Rice Lake with the tracking number. They will, in turn, contact the relevant team member from their support group so the claims process can be started. It should be noted that **Drivers do not normally note the package was damaged until it is brought back to the distribution center and a clerk does that.**



Signed Sealed Delivered... It's yours!

On average, regardless of carrier, 2% of all freight is damaged in transit. Don't let the delivery person slip away. And don't get left holding the bag.

Rice Lake merchandise is carefully packaged to arrive at your location on time, intact, and in perfect working order. We don't ship damaged goods, and we work with many of the most reputable national carriers. But know this—anytime a package is sent, as many as 2 out of 100 will be mishandled. To be sure your business doesn't take the hit for someone else's mistake—INSPECT before you sign.

Whether or not the product itself has been damaged, remember—your signature accepts the delivery as is, releasing the carrier and supplier of all liability, unless you take action:

- Make note of any damage to the packaging, no matter how slight, including re-packaging, water damage, scratches to paint, etc. Take photos if possible to back up any necessary claims.
- Do not accept or sign for as “unchecked”—this is not an acceptable disclaimer.
- Where damage to contents is obvious, take photos and refuse the shipment.

Notify your supplier immediately with the claim number provided by the driver. Noting the condition of your delivery upon receipt is the only recourse when making a damage claim. Follow these steps and you'll get replacement merchandise faster, keep costs down, and ensure the carrier is held responsible for their mistakes, not you, and not your supplier.

RICE LAKE[®]
WEIGHING SYSTEMS

800-472-6703
www.ricelake.com

Aviation

TABLE OF CONTENTS

TRACER AV2	16
<i>Base Assembly</i>	

Tracer AV2

Base Assembly

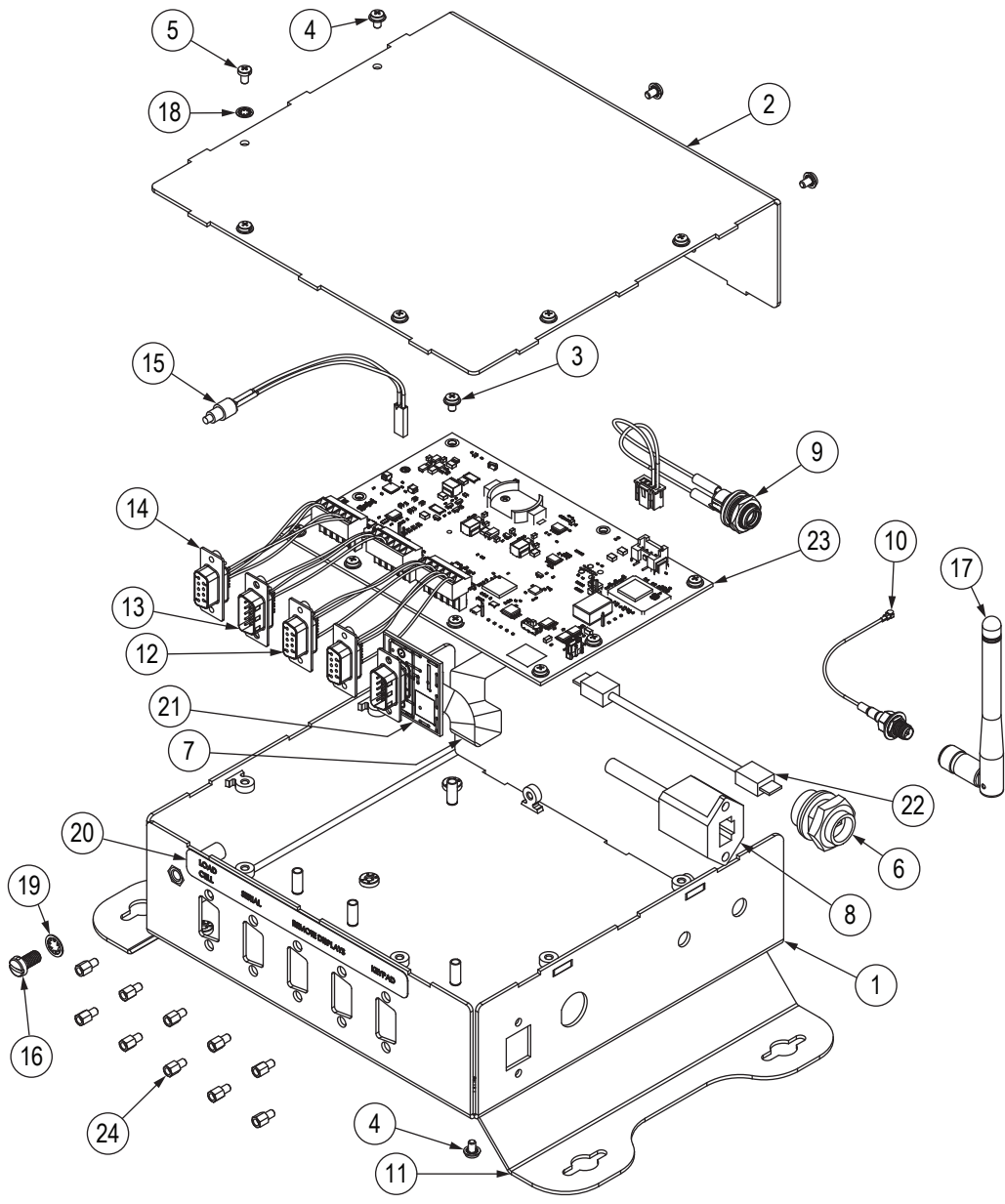


Part Number/Price

Ref #	Part #	Description	Price
1	202088	Enclosure, Tracer AV2 CPU Box	Consult
2	202089	Cover, Tracer AV2 CPU Box	Consult
3	206442	Screw, M3-0.5x10 Phillips Pan Head Zinc Finish Steel External Tooth Washer SEMS	Consult
4	202140	Screw, M4-0.7x10 Phillips Pan Head Zinc Finish Steel External Tooth Washer SEMS	Consult
5	194219	Screw, M4x0.7 X 10 Phillips Drilled Cheese Head SST	Consult
6	203731	Connector, USB A to B Micro Panel	Consult
7	207172	Ribbon Cable, 14 Position 1.0 mm Pitch, 5.98 Inch Fpc	Consult
8	208686	Cable Assembly, RJ45 Jack to 4 Position Connector	Consult
9	203773	Cable Assembly, Power Harness, 2 Position, 2.5 mm Barrel Jack	Consult
10	112228	Cable, RF UFL to RSMA, 6 Inch Length	Consult
11	203827	Bracket, Tracer AV2 Wall Mount	Consult
12	204340	Cable Assembly, Dual Remote Displays, Dual Female DB-9 Connectors	Consult
13	204341	Cable Assembly, Serial, Male DB-9 Connector	Consult
14	204342	Cable Assembly, Load Cell, Female DB-9 Connector	Consult
15	193108	Setup Switch Assembly, Remote	Consult
16	180861	Screw, M5x0.8x10 mm Slotted Drilled Cheese Head SST	Consult
17	98357	Antenna, 2.4 GHz 802.11b/g	Consult
18	15134	Washer, Lock No 8 Type A Internal Tooth Steel Zinc Plated	Consult
19	15140	Washer, Lock No 10 Type A Internal Tooth	Consult
20	207163	Label, Tracer AV2 I/O	Consult
21	201805	Board Assembly, 5 Button Keypad Adapter Board, Male DB-9 Connector	Consult
22	203733	Cable, USB Micro-B Male to Micro-B Male, 4 Inch	Consult
23	201638	Board Assembly, CPU Tracer AV2 Indicator, ROHS	Consult
24	15704	Connector, Mounting Kit D-Sub Chassis Mounting Hardware	Consult
-	205206	Assembly, Tracer AV2 CPU Box Airline Kiosk	Consult
-	207288	Kit, RD2 LCD Display Panel Mount	Consult
-	207289	Kit, RD2 LCD Display External Mount	Consult
-	207290	Kit, Single 5 Button Keypad	Consult
-	207292	Kit, Dual 5 Button Keypad	Consult
-	207302	Cable, RS-232 Splitter, DB-9 Female to Two DB-9 Male Connectors	Consult
-	50749	Cable, DB-9 Female to DB-9 Female, Straight Through Wired	Consult
-	15438	Power cord, detachable, 7.5 ft long	Consult
-	203937	Power supply, 7.5V 30W	Consult

Tracer AV2

Base Assembly



Aviation

Balances

TABLE OF CONTENTS

EQUIPOISE®	20
TC/TP/TS/TA SERIES	21
MB SERIES	22
QB SERIES	24

BALANCES

Equipoise®



Part Number/Price

Part #	Description	Price
129425	AC power adapter, 110-240 VAC US plug	Consult
129426	Foot	Consult
129427	Pan, stainless 120 mm, EQ-300, EQ-600	Consult
129428	Pan, stainless large 122 x 142 mm, EQ-1500, EQ-3000, EQ-6000	Consult
172337	Pan, EQ-6000	Consult
129429	Overlay	Consult
129566	Battery	Consult

Balances

BALANCES
TC/TP/TS/TA Series

Part Number/Price

Ref #	Part#	Description	Price
TC/TP Series			
	190988	Board, display and CPU, TC-620	Consult
	190989	Board, display and CPU, TC-1200	Consult
	190990	Board, display and CPU, TC-4200	Consult
	190991	Board, display and CPU, TC-6200	Consult
	190992	Board, display and CPU, TC-220	Consult
	190993	Board, display and CPU, TP-420NT	Consult
	190994	Board, display and CPU, TP-820	Consult
	190995	Board, display and CPU, TP-1200NT	Consult
	190996	Board, display and CPU, TP-3200	Consult
	190997	Board, display and CPU, TP-4200NT	Consult
	190998	Board, display and CPU, TP-6200NT	Consult
	190999	Board, display and CPU, TP-8200	Consult
	191000	Board, display and CPU, TP-12k	Consult
1-2	109028	Adjustable foot, TP 220-1,200 g	Consult
1-2	109029	Adjustable foot, TP 2200-12 kg	Consult
1-3	109031	Rubber support foot, 220-1200 g	Consult
12	109025	TP front panel (over display window) small, 220 g-1200 g	Consult
12	109027	TC front panel (over display window) large, 2200 g-12 kg	Consult
12	109026	TC front panel (over display window) small, 220 g-1200 g	Consult
12-3	109030	TP/TC keypad panel	Consult
	109040	Round pan, 5.5 in (140 mm) TC 620	Consult
15	109008	Round pan support	Consult
15-1	109007	Round pan guides, 118 mm	Consult
16	109005	Round pan, 118 mm (4.6 in) TP 220, TP-420	Consult
18	109018	Rectangle pan support, TP 3200 g, 8200 g and 12 kg	Consult
18	109015	Rectangle pan support, 170 x 142 mm	Consult
19	109019	Pan guides, 180 x 160 mm, TC-4200, TC-6200, TP-3200, TP-4200NT, TP-8200, TP12K	Consult
19	109014	Rectangle pan guides, 170 x 142 mm, TC-1200, TP-820, TP-1200NT	Consult
20	109012	Rectangle pan, 170 x 142 mm (6.6 x 5.5 in) TP 820, TC 1200	Consult
20	109017	Rectangle pan, 180 x 160 mm (7.0 x 6.2 in) for TC 4200, TC 6200	Consult
	Consult	AC Adaptor 120V/12VDC	Consult
	42168	AC Adaptor 230V	Consult
	115740	DIN 5 male plug	Consult
	107250	In-use dust covers, 2200 g - 12 kg	Consult
	107240	In-use dust covers, 220 g - 1200 g	Consult
TS Series			
	190987	Board, display and CPU, TS-620	Consult
	109040	Round pan, 140 mm, TS-620	Consult
	109041	Pan guide	Consult
	109042	Round pan protector base plate	Consult
	109043	Square pan, 190 x 190 mm, TS-6200, TS-8200	Consult
	109044	Square pan base guide	Consult
	109045	Base Round guide	Consult
	109046	Front panel (over display window)	Consult
	109047	Adjuster foot	Consult
	108499	AC Adaptor 230V	Consult
	115109	Platform screw-no slot	Consult
TA Series			
	109032	Round pan, 80 mm	Consult
	109034	Round pan base guide	Consult
	109033	Round pan protector base plate	Consult
	116289	Pan guides-four per balance	Consult
	109035	RL-TA front panel (over display window)	Consult
	109037	Adjustable foot	Consult
	108255	AC Adaptor 120V/9VDC	Consult
	108256	AC Adaptor 230V	Consult
	108257	In-use cover	Consult



TC Series



TP Series



TS Series



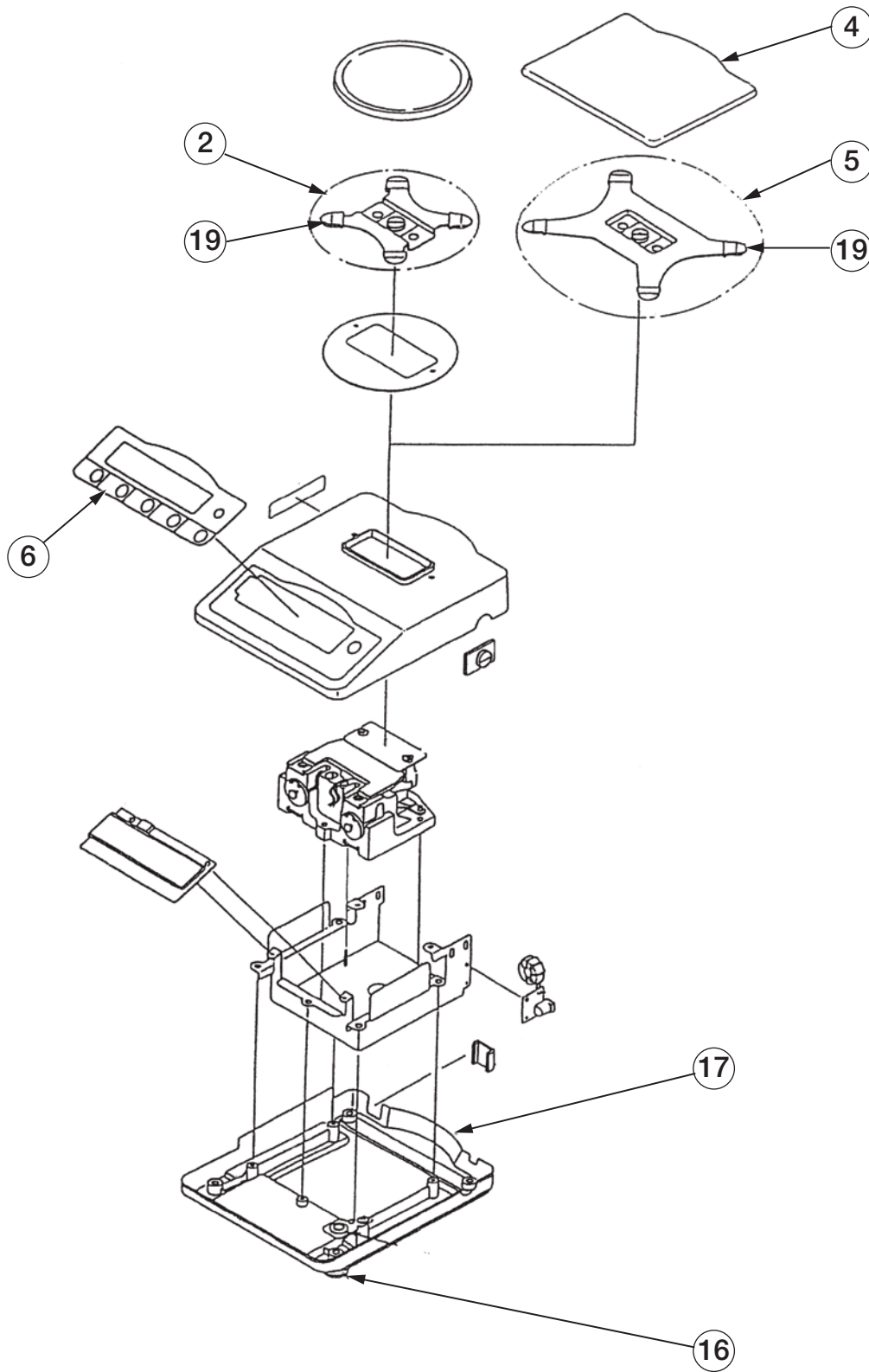
TA Series

Balances

MB Series**Discontinued****Part Number/Price**

Ref #	Part #	Description	Price
2	43179	Round pan base	Consult
4	43178	Square pan 6.7 in x 5.6 in	Consult
5	43185	Square pan base	Consult
6	67203	Front panel assembly for MB-L	Consult
16	43195 *	Adjustable foot	Consult
17	50252	Rear support leg, round pan	Consult
	42566	AC Adaptor 120V/12VDC	Consult
19	45049	Pan guide bumper	Consult

* Two on round, four on square
(See diagram MB-1)



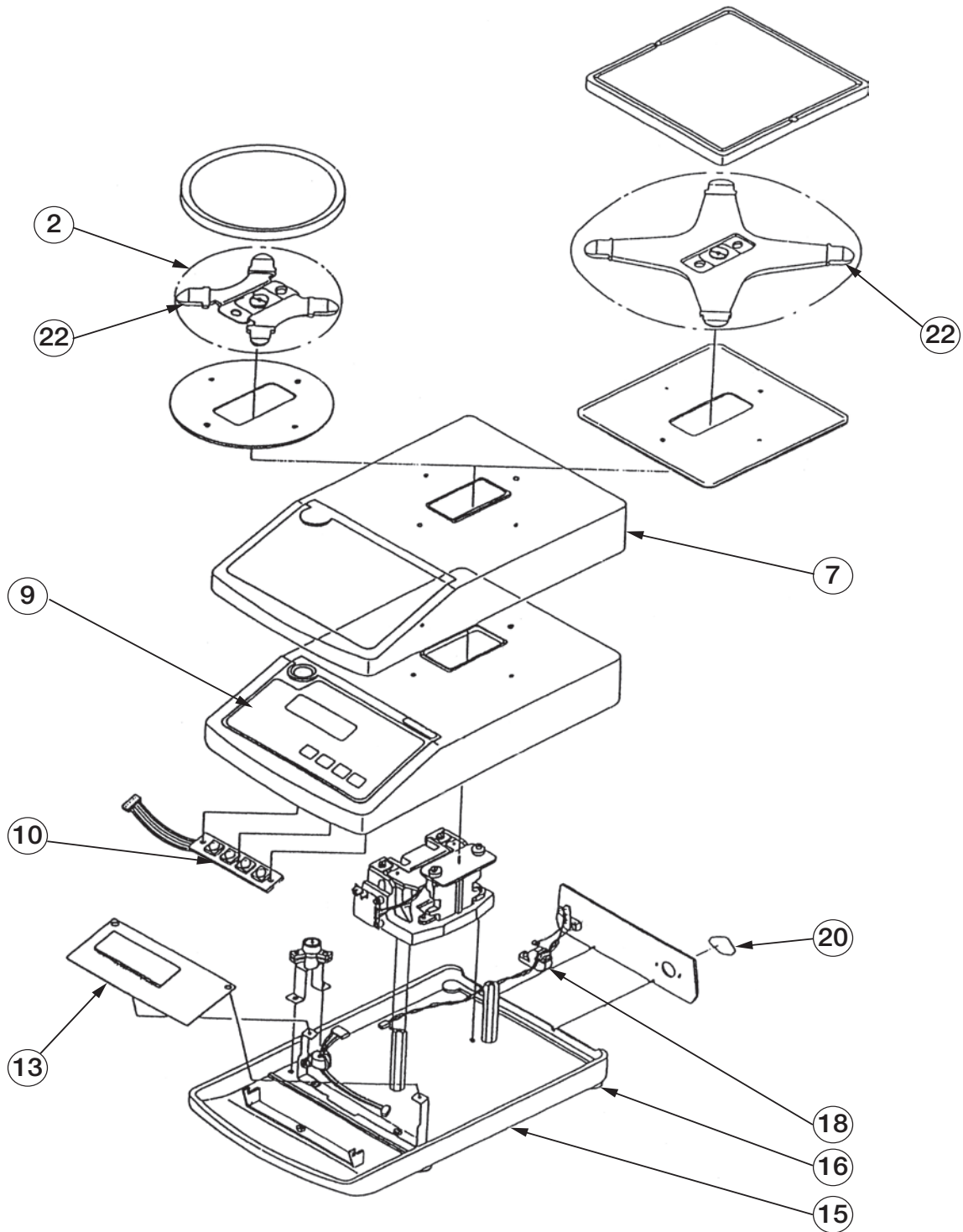
Balances

MB-1

**Part Number/Price**

Ref #	Part #	Description	Price
2	43179	Round pan base	Consult
7	42181	Plastic dust cover	Consult
9	66702	Front panel for QB-L	Consult
10	43300	CGSW-1 PCB assembly	Consult
13	43307	CGD-2 circuit board without eprom, discontinued	Consult
15	43309	Lower case, discontinued	Consult
16	41579	Adjusting leg	Consult
18	41580	CG power cord assembly	Consult
20	43312	RS shutter	Consult
	42566	AC adaptor 120V/12VDC	Consult
	41588	Leaf spring QB-12 k	Consult
	43690	Clear glass display window	Consult
22	45049	Pan guide, bumper	Consult
	115740	Connector, RS-232 DIN five male	Consult
	42181	Dust cover	Consult

(See diagram QB-1)



QB-1

Bench Scales

TABLE OF CONTENTS

BENCHMARK® SL	28
CW-80B	30
CW-80B	31
BENCHMARK® SL/HE	32
CW-90B	34
CW-90XB	35
BENCHMARK® MS	36
<i>Mild Steel, 12 x 12 inch</i>	
BENCHMARK® MS	38
<i>Mild Steel, 12 x 18 inch</i>	
BENCHMARK® MS	40
<i>Mild Steel, 18 x 18 inch</i>	
BENCHMARK® MS	42
<i>Mild Steel, 18 x 24 inch</i>	
BENCHMARK® MS	44
<i>Mild Steel, 24 x 24 inch</i>	
BENCHMARK® SINGLE POINT	46
<i>18 x 18 in & 18 x 24 in & 24 x 24 in Mild and Stainless Steel</i>	
BENCHMARK® HE-X	50
<i>12 x 18 inch</i>	
<i>18 x 18 inch</i>	
BENCHMARK® HE-X	54
<i>18 x 24 inch</i>	
<i>24 x 24 inch</i>	
BENCHMARK® LP	58
<i>18 x 18 in or 24 x 24 in 100 lb/250 lb/500 lb</i>	
BENCHMARK® HD	59
DIGI®	60
BENCHMARK® HDP	61
<i>Wheel Model</i>	
BENCHMARK® HDP	62
<i>Caster Model</i>	
BENCHPRO™ BP-P, BP-S, BP-R	64
<i>Caster Model</i>	
VERSA-PORION®	65
DIGI® DS-160	66
DIGI® DS-520	67
ISHIDA	68
ISHIDA IPC	70
ISHIDA IGX & IGB	74
BENCHMARK® MOBILE CARTS	76

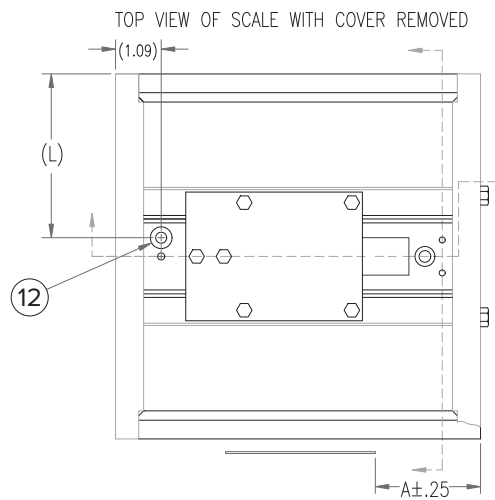
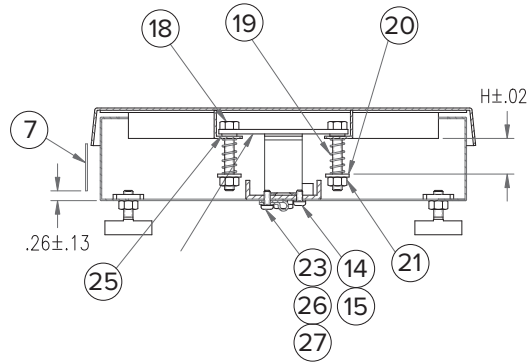
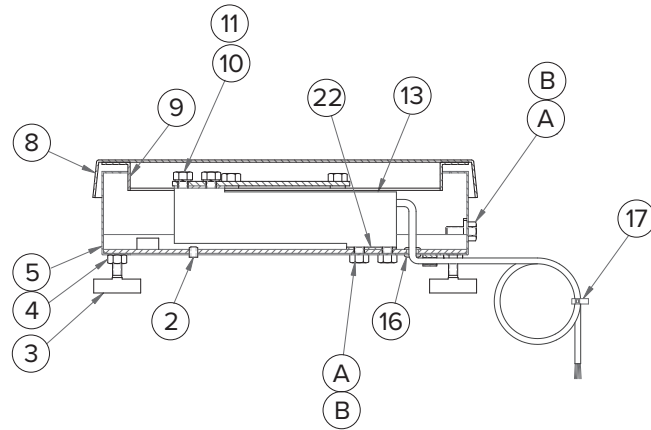
BenchMark® SL



Part Number/Price

Ref#	Part#	Description	Price
	22125	Operating manual	Consult
2	14920	Screw, overload protection, 8-32 UNC x 1/4, SS	Consult
3	35128	Foot, 1/4-20 NC x 1 3/16 SS	Consult
4	14645	Nut, jam, 1/4-20 NC, hex	Consult
5	19086	Bottom sub-assembly 10 in x 10 in	Consult
5	35066	Bottom sub-assembly 12 in x 12 in	Consult
7	52342	Label, bench scale	Consult
8	19091	Cover, top, 10 in x 10 in	Consult
8	35069	Cover, top, 12 in x 12 in	Consult
9	19088	Spider, top, 10 in x 10 in	Consult
9	35068	Spider, top, 12 in x 12 in	Consult
10	15148	Washer, locking	Consult
11	21948	Screw, load cell	Consult
12	15410	Spirit level bubble, plastic	Consult
13	91729	Load cell, RLSP4-30kg (2 lb model) 10 in x 10 in	Consult
13	40682	Load cell, 1042-5kg (5 lb model) 10 in x 10 in	Consult
13	91726	Load cell, RLSP4-10kg (10 lb model) 10 in x 10 in	Consult
13	91728	Load cell, RLSP4-20kg (20 lb model) 10 in x 10 in	Consult
13	91729	Load cell, RLSP4-30kg (30 lb model) 10 in x 10 in/12 in x 12 in	Consult
13	91730	Load cell, RLSP4-50kg (50 lb model) 12 in x 12 in	Consult
13	91732	Load cell, RLSP4- 100kg (100 lb model) 12 in x 12 in	Consult
14	15132	Washer, locking, # 8 SS	Consult
15	14857	Screw, pan head	Consult
16	15408	Grommet, rubber, 3/16 ID x 1/2 OD	Consult
17	16141	Cable tie	Consult
18	14984	Cap screw (2 lb-20 lb models)	Consult
18	21947	Cap screw (30 lb model)	Consult
18	35199	Cap screw (50 lb-100 lb models)	Consult
19	15412	Spring, overload (2 lb model)	Consult
19	21945	Spring, overload (5 lb model)	Consult
19	15416	Spring, overload (10 lb model)	Consult
19	21946	Spring, overload (20 lb model)	Consult
19	21944	Spring, overload (30 lb model)	Consult
19	35086	Spring, overload (50 lb model)	Consult
19	35200	Spring, overload (100 lb model)	Consult
20	15149	Washer, flat, 1/4 Type A, SS	Consult
21	14634	Nut, lock, 1/4-20 NC, hex, SS	Consult
22	19089	Load cell shim, SS	Consult
23	15409	Clamp, nylon cable	Consult
24	19090	Load plate (2 lb-30 lb, 10 in x 10 in)	Consult
24	35067	Load plate (30 lb-100 lb, 12 in x 12 in)	Consult
25	15150	Washer, rubber	Consult
26	15138	Washer no. 8	Consult
27	14862	Screw, Mach, 8-32 NC x 3/8, SS	Consult

(See diagram BenchMark SL-A)

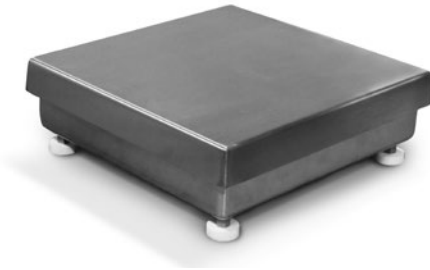


BenchMark SL-A

Bench Scales

BENCH SCALES

CW-80B

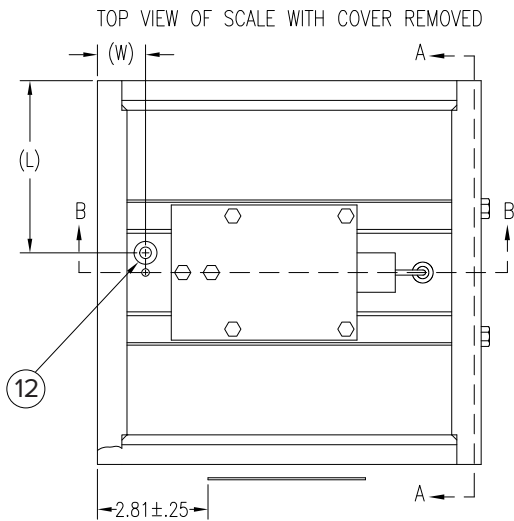
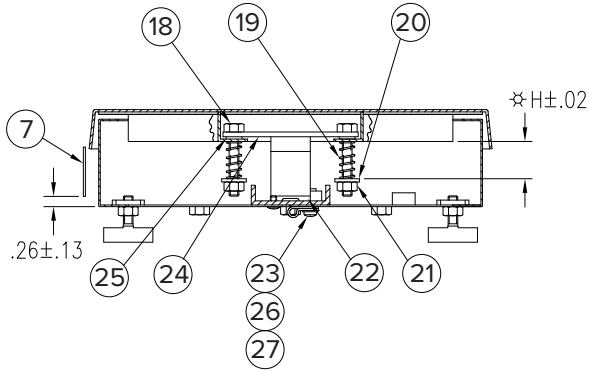
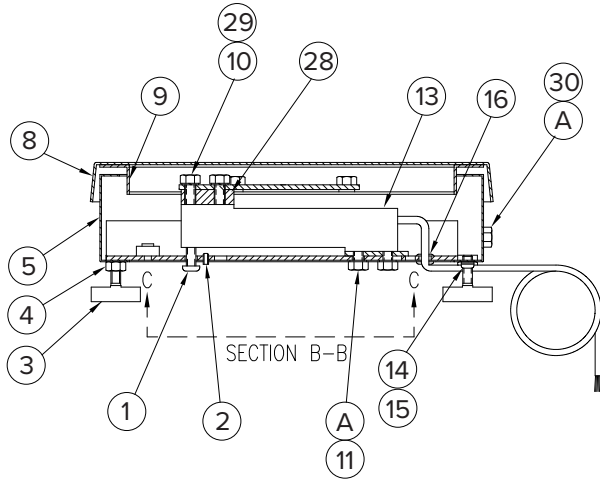


Part Number/Price

Ref #	Part #	Description	Price
	200150	Technical manual	Consult
1	35087	Cap screw	Consult
2	14920	Screw, overload protection, 8-32UNC x 1/4, SS	Consult
3	35128	Foot, 1/4-20 NC x 1 3/16 SS	Consult
4	14645	Nut, jam, 1/4-20NC, hex	Consult
5	19086	Bottom sub-assembly 10 in x 10 in	Consult
5	35066	Bottom sub-assembly 12 in x 12 in	Consult
7	52342	Label, bench scale	Consult
8	19091	Cover, top, 10 in x 10 in	Consult
8	35069	Cover, top, 12 in x 12 in	Consult
9	19088	Spider, top, 10 in x 10 in	Consult
9	35068	Spider, top, 12 in x 12 in	Consult
10	15148	Washer, locking	Consult
11	14963	Overload screw, 1/4-20 NC x 3/4	Consult
12	15410	Spirit level bubble, plastic	Consult
13	30783	Load cell, RL1380-7kg (6 lb model) 10 in x 10 in	Consult
13	30782	Load cell, RL1380-10kg (10 lb model) 10 in x 10 in	Consult
13	30781	Load cell, RL1380-15kg (15 lb model) 10 in x 10 in	Consult
13	30780	Load cell, RL1380-30kg (30 lb model) 10 in x 10 in / 12 in x 12 in	Consult
13	30779	Load Cell, RL1380-60kg (60 lb model) 12 in x 12 in	Consult
14	15132	Washer, locking, #8 SS	Consult
15	14857	Screw, pan head	Consult
16	15408	Grommet, rubber, 3/16ID x 1/2 OD	Consult
18	14984	Cap screw (6 lb to 15 lb 10 x 10 in / 60 lb 12 x 12 in)	Consult
18	21947	Cap screw (30 lb models)	Consult
19	21945	Spring, overload (6 lb and 10lb model)	Consult
19	21946	Spring, overload (15 lb model)	Consult
19	21944	Spring, overload (30 lb models)	Consult
19	35086	Spring, overload (60 lb model)	Consult
20	15149	Washer, flat, 1/4 Type A, SS	Consult
21	14634	Nut, lock, 1/4-20 NC, hex, SS	Consult
22	35082	Top shim, load cell	Consult
23	15409	Clamp, nylon cable	Consult
24	19090	Load plate, 10 in x 10 in	Consult
24	35067	Load plate, 12 in x 12 in	Consult
25	15150	Washer, rubber	Consult
26	15138	Washer, plain, STD no. 8	Consult
27	14862	Screw, Mach, 8-32 NC x 3/8, SS	Consult
28	30909	Load cell shim	Consult
29	35088	Screw, Cap 1/4-20NC x 1, SS	Consult
30	14956	Screw, Cap 1/4-20NC x 1/2, hex, SS	Consult

(See diagram XXXX)

BENCH SCALES
CW-80B



Bench Scales

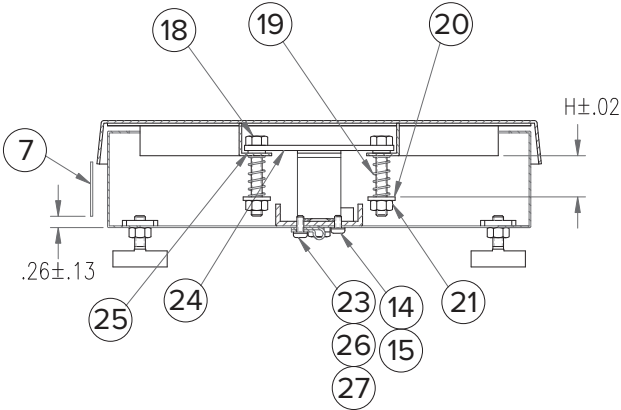
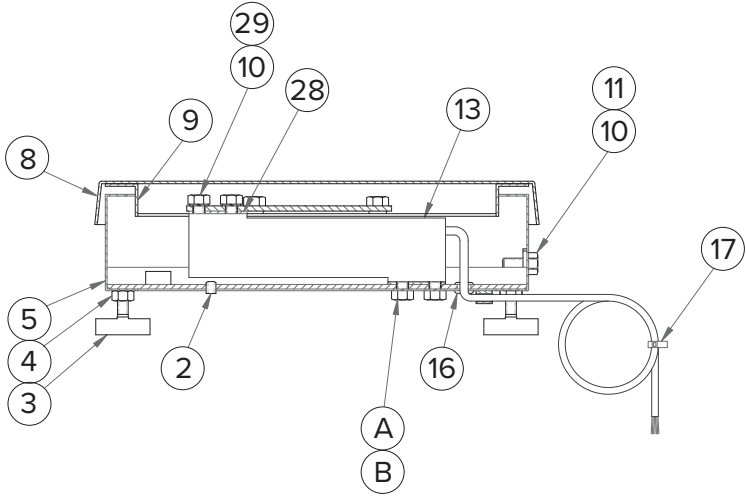
BenchMark® SL/HE



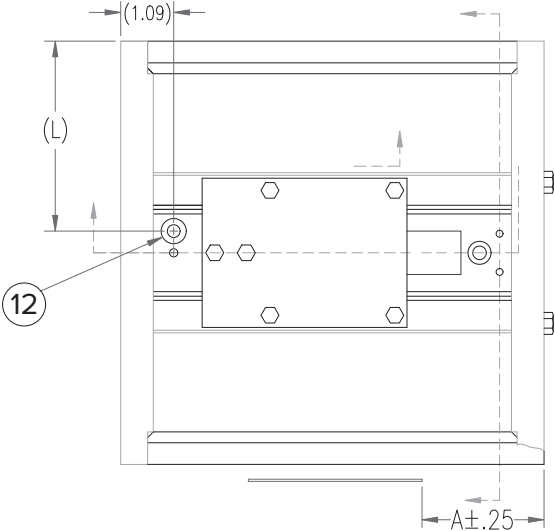
Part Number/Price

Ref#	Part#	Description	Price
	22125	Operating manual	Consult
2	14920	Screw, overload protection, 8-32UNC x 1/4, SS	Consult
3	35128	Foot, 1/4-20 NC x 1 3/16 SS	Consult
4	14645	Nut, jam, 1/4-20 NC, hex	Consult
5	19086	Bottom sub-assembly 10 in x 10 in	Consult
5	35066	Bottom sub-assembly 12 in x 12 in	Consult
7	52342	Label, bench scale	Consult
8	19091	Cover, top, 10 in x 10 in	Consult
8	35069	Cover, top, 12 in x 12 in	Consult
9	19088	Spider, top, 10 in x 10 in	Consult
9	35068	Spider, top, 12 in x 12 in	Consult
10	15148	Washer, locking	Consult
11	21948	Screw, load cell	Consult
12	15410	Spirit level bubble, plastic	Consult
13	108685	Load cell, RLPWM15HE-10 kg (5 lb and 10 lb model)	Consult
13	108686	Load cell, RLPWM15HE-20 kg (20 lb and 30 lb model)	Consult
13	108687	Load cell, RLPWM15HE-50 kg (50 lb model)	Consult
13	108688	Load cell, RLPWM15HE-100 kg (100 lb model)	Consult
14	15132	Washer, locking, # 8 SS	Consult
15	14857	Screw, pan head	Consult
16	15408	Grommet, rubber, 3/16 ID x 1/2 OD	Consult
17	16141	Cable tie	Consult
18	14984	Cap screw (5 lb to 20 lb model)	Consult
18	21947	Cap screw (30 lb models)	Consult
18	35199	Cap screw (50 lb to 100 lb model)	Consult
19	21945	Spring, overload (5 lb model)	Consult
19	15416	Spring, overload (10 lb model)	Consult
19	21946	Spring, overload (20 lb model)	Consult
19	21944	Spring, overload (30 lb models)	Consult
19	35086	Spring, overload (50 lb model)	Consult
19	35200	Spring, overload (100 lb model)	Consult
20	15149	Washer, flat, 1/4 Type A, SS	Consult
21	14634	Nut, lock, 1/4-20 NC, hex, SS	Consult
22	92168	Washer, lock M6 SS	Consult
23	15409	Clamp, nylon cable	Consult
24	19090	Load plate 10 in x 10 in	Consult
24	35067	Load plate 12 in x 12 in	Consult
25	15150	Washer, rubber	Consult
26	15138	Washer, plain, STD no. 8	Consult
27	14862	Screw, Mach, 8-32 NC x 3/8, SS	Consult
28	19089	Load cell shim, SS	Consult
29	15108	Screw, Cap M6 x 16 hex, SS	Consult

BENCH SCALES
BenchMark® SL/HE

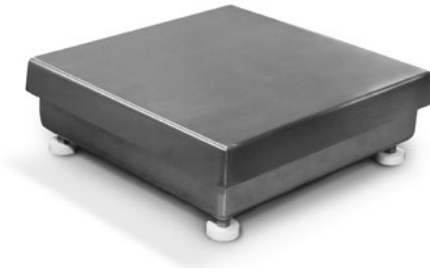


TOP VIEW OF SCALE WITH COVER REMOVED



Bench Scales

BENCH SCALES
CW-90B

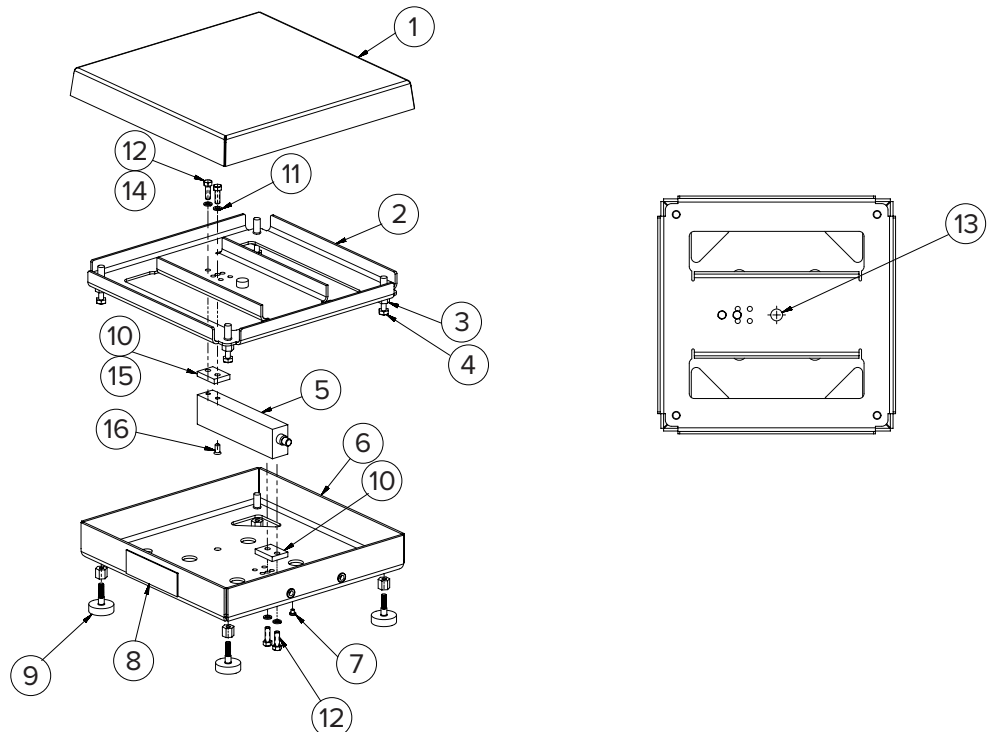


Part Number/Price

Ref #	Part #	Description	Price
	200153	Technical manual	Consult
1	107144	Cover, 10 × 10 in	Consult
1	105457	Cover, 12 × 12 in	Consult
2	107140	Spider Plate, 10 × 10 in	Consult
2	105450	Spider Plate, 12 × 12 in	Consult
3	105555	Coupling nut 1/4-20NC x 0.48, hex SS	Consult
4	106462	Screw, cap 1/4-20NC x 1-1/2 hex SS	Consult
5	32860	Load cell, RL1040-7kg (5 lb model)	Consult
5	32861	Load cell, RL1040-10kg (10 lb model)	Consult
5	32864	Load cell, RL1040-30kg (25 lb models)	Consult
5	188679	Load cell, RL42018A-50kg (50 lb model)	Consult
5	188681	Load cell, RL42018A-100kg (100 lb model)	Consult
6	107142	Base plate, 10 × 10 in	Consult
6	105452	Base plate, 12 × 12 in	Consult
7	45329	Screw, mach 8-32NC x 3/16 SS	Consult
8	52342	Label, bench scale	Consult
9	107476	Bench scale foot	Consult
10	52383	Load cell shim	Consult
11	15148	Washer, locking	Consult
12	14963	Overload screw, 1/4-20NC x 3/4	Consult
13	15410	Spirit level bubble, plastic	Consult
14	21948	Screw, load cell	Consult
15	35082	Top shim, load cell	Consult
16	163794	Cap screw 1/4-20NF x 1/2, flat SS (5 lb to 25 lb models)	Consult
16	14960	Cap screw 1/4-20NC x 1/2, hex SS (50 lb to 100 lb models)	Consult

(See diagram XXXXX)

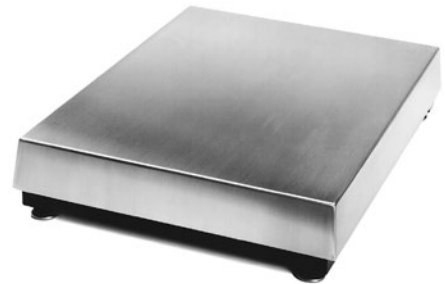
CW-90B		
Cable length: 34 in		
107756	Load cell, RL1040 - 7 kg (5 lb scale)	Consult
107757	Load cell, RL1040 - 10 kg (10 lb scale)	Consult
107758	Load cell, RL1040 - 30 kg (25 lb scale)	Consult
107759	Load cell, RL1040 - 50 kg (50 lb scale)	Consult
107760	Load cell, RL1040 - 100 kg (100 lb scale)	Consult



BENCH SCALES
CW-90XB

Part Number/Price

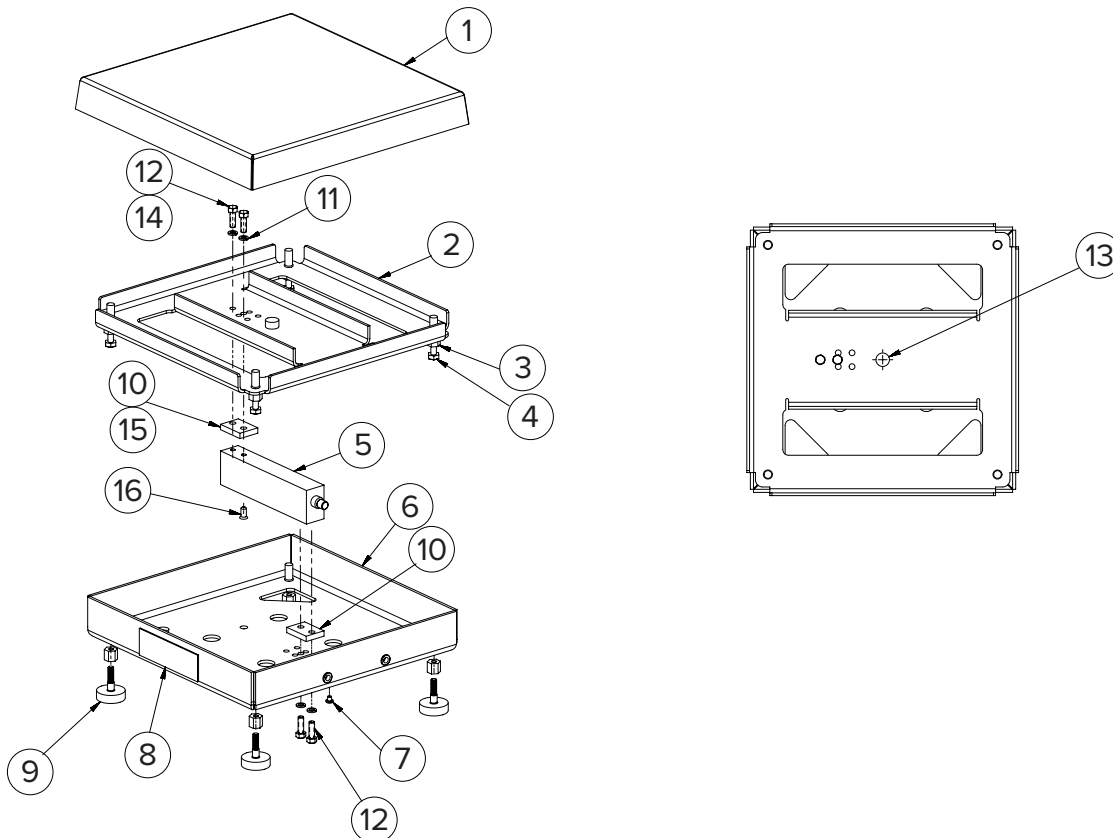
Ref #	Part #	Description	Price
	200153	Technical manual	Consult
1	107144	Cover, 10 × 10 in	Consult
1	105457	Cover, 12 × 12 in	Consult
2	107140	Spider Plate, 10 × 10 in	Consult
2	105450	Spider Plate, 12 × 12 in	Consult
3	105555	Coupling nut 1/4-20NC x 0.48, hex SS	Consult
4	106462	Screw, cap 1/4-20NC x 1-1/2 hex SS	Consult
5	108685	Load cell, RLPWM15HE-10kg (5 lb and 10 lb models)	Consult
5	108686	Load cell, RLPWM15HE-20kg (25 lb models)	Consult
5	108688	Load cell, RLPWM15HE-100kg (50 lb and 100 lb models)	Consult
6	107142	Base plate, 10 × 10 in	Consult
6	105452	Base plate, 12 × 12 in	Consult
7	45329	Screw, mach 8-32NC x 3/16 SS	Consult
8	52342	Label, bench scale	Consult
9	107476	Bench scale foot	Consult
10	52383	Load cell shim	Consult
11	92168	Lock washer M6 6mm SS	Consult
12	85624	Cap screw M6 full thread SS85	Consult
13	15410	Spirit level bubble, plastic	Consult
14	21948	Screw, load cell	Consult
15	35082	Top shim, load cell	Consult
16	213084	Cap screw M6 flat SS	Consult



CW-90XB

Cable length: 34 in

107174	Load cell, RLPWM15HE - 10 kg (5 lb and 10 lb scale)	Consult
107175	Load cell, RLPWM15HE - 20 kg (25 lb scale)	Consult
107176	Load cell, RLPWM15HE - 50 kg (50 lb scale)	Consult
107177	Load cell, RLPWM15HE - 100 kg (100 lb scale)	Consult

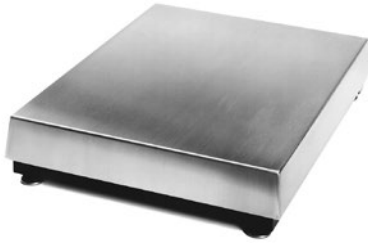


Bench Scales

BENCH SCALES

BenchMark® MS

Mild Steel, 12 x 12 inch

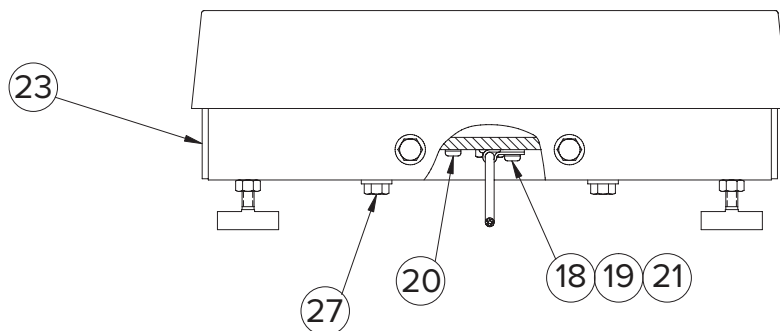
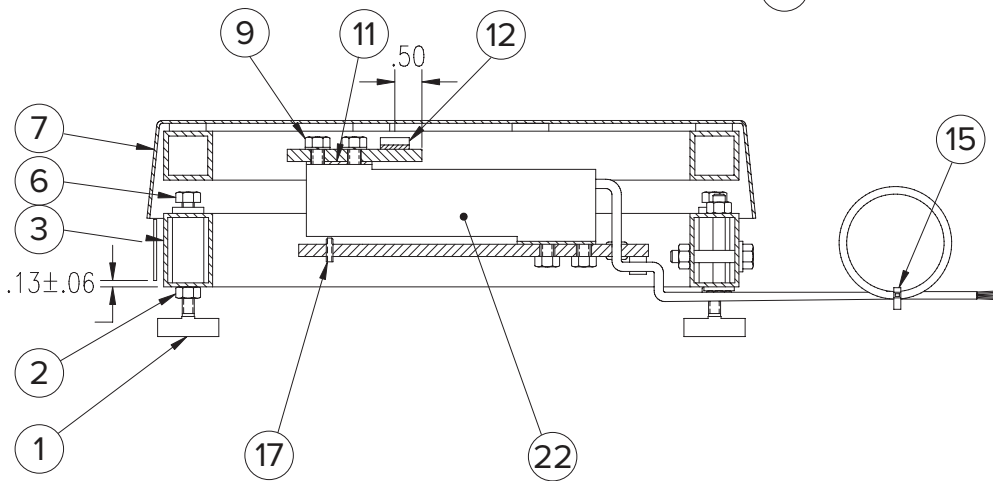
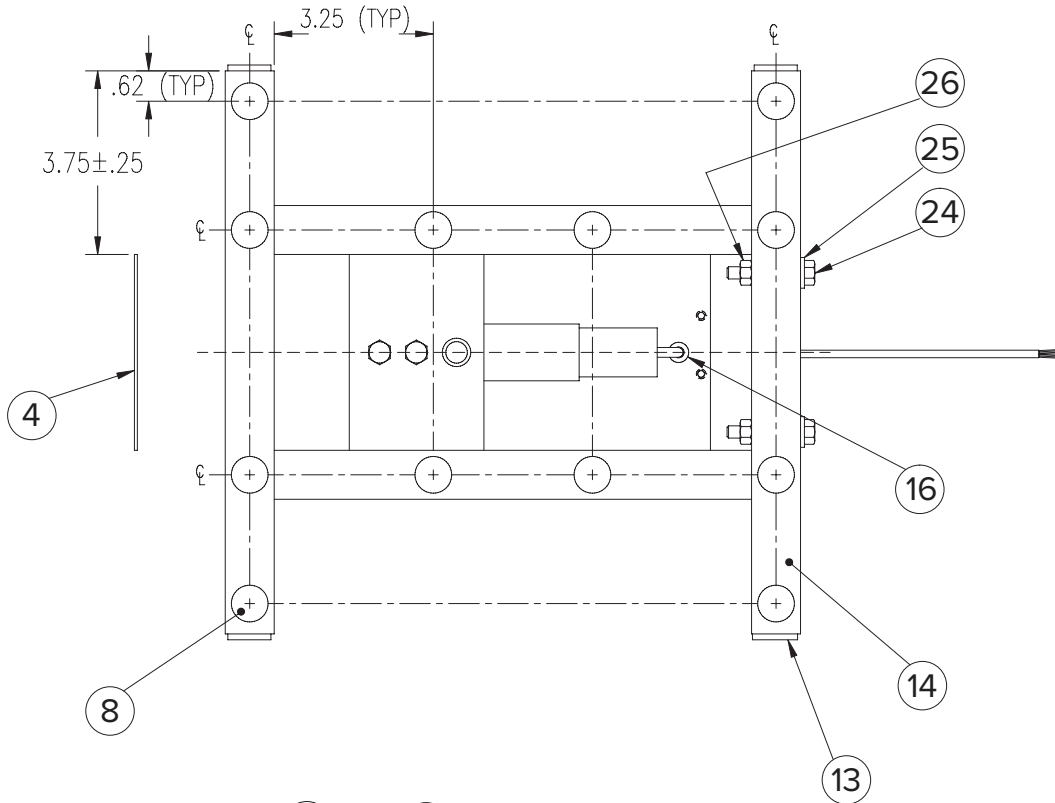


Part Number/Price

Ref#	Part#	Description	Price
	22125	Benchmark manual	Consult
1	35128	Foot, 1/4-20 NC x 1 3/16 SS	Consult
2	14645	Nut, jam, 1/4-20 NC, hex	Consult
3	32993	Bottom sub-assembly 12 x 12 in painted	Consult
4	52342	Label, bench scale	Consult
6	14962	Cap screw 1/4-20NC hex	Consult
7	19092	Top cover 12 x 12 in	Consult
8	26408	Bumper, self adhesive	Consult
9	15147	Washer, lock 1/4 regular	Consult
11	19089	Load cell shim, SS	Consult
12	15410	Spirit level bubble, plastic	Consult
13	19139	Tubing cap	Consult
14	19132	Top frame 12 x 12 in painted	Consult
15	16141	Cable tie	Consult
16	15418	Grommet, rubber	Consult
17	14918	Screw, overload protection, 8-32 UNC x 1/4, SS	Consult
18	15409	Clamp, nylon cable	Consult
19	15138	Washer, plain, STD no. 8	Consult
20	15134	Washer, lock no 8 type A	Consult
21	14858	Screw, Mach, 8-32 NC x 5/16, MS	Consult
22	188678	Load cell, RL42018A-30kg (30 lb)	Consult
22	188679	Load cell, RL42018A-50kg (50 lb)	Consult
22	188681	Load cell, RL42018A-100kg (100 lb)	Consult
23	35327	Tubing cap plug	Consult
24	14733	Bolt 1/4-20NC hex zinc plated	Consult
25	15145	Washer, plain, 1/4 Type A, MS	Consult
26	14635	Nut, lock, 1/4-20 NC, hex, MS	Consult
27	35316	Screw, cap, 1/4-20 NC x 2, hex, MS	Consult

BENCH SCALES
BenchMark® MS
 Mild Steel, 12 x 12 inch

TOP VIEW OF SCALE WITH COVER REMOVED
 TO SHOW LOCATIONS OF RUBBER BUMPERS.

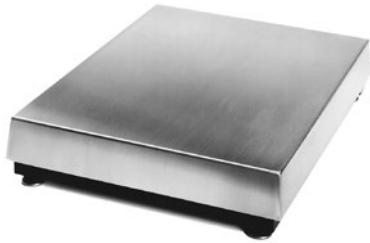


Bench Scales

BENCH SCALES

BenchMark® MS

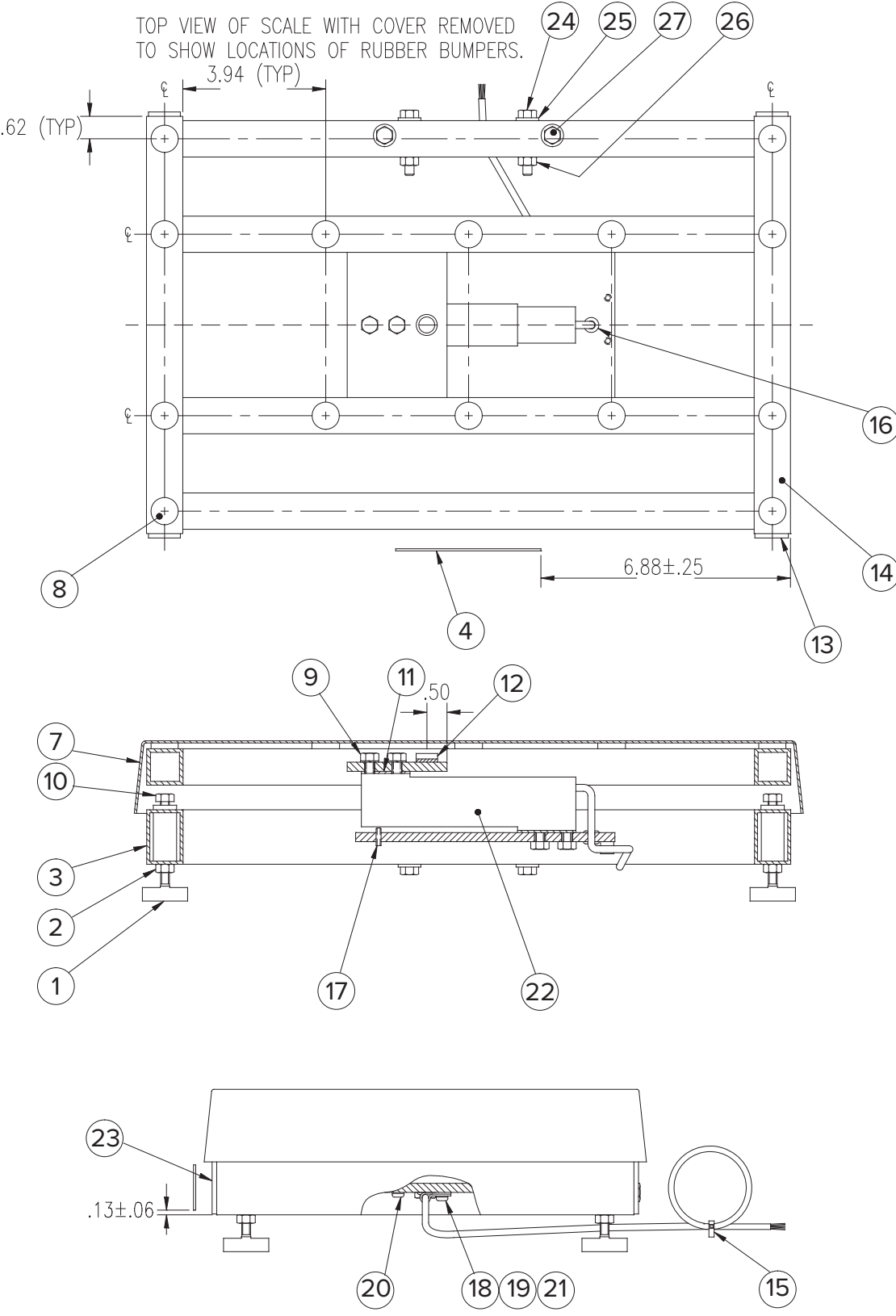
Mild Steel, 12 x 18 inch



Part Number/Price

Ref#	Part#	Description	Price
	22125	Benchmark manual	Consult
1	35128	Foot, 1/4-20 NC x 1 3/16 SS	Consult
2	14645	Nut, jam, 1/4-20 NC, hex	Consult
3	32992	Bottom sub-assembly 12 x 18 in painted	Consult
4	52342	Label, bench scale	Consult
7	19093	Top cover 12 x 18 in	Consult
8	26408	Bumper, self adhesive	Consult
9	15147	Washer, lock 1/4 regular	Consult
10	14962	Cap screw 1/4-20 NC hex	Consult
11	19089	Load cell shim, SS	Consult
12	15410	Spirit level bubble, plastic	Consult
13	19139	Tubing cap	Consult
14	19134	Top frame 12 x 18 in painted	Consult
15	16141	Cable tie	Consult
16	15418	Grommet, rubber	Consult
17	14918	Screw, overload protection, 8-32 UNC x 1/4, SS	Consult
18	15409	Clamp, nylon cable	Consult
19	15138	Washer, plain, STD no. 8	Consult
20	15134	Washer, lock no 8 type A	Consult
21	14858	Screw, Mach, 8-32 NC x 5/16, MS	Consult
22	91730	Load cell, RLSP4-50kg (50 lb)	Consult
22	91732	Load cell, RLSP4-100kg (100 lb)	Consult
23	35327	Tubing cap plug	Consult
24	14733	Bolt 1/4-20 NC hex zinc plated	Consult
25	15145	Washer, plain, 1/4 Type A, MS	Consult
26	14635	Nut, lock, 1/4-20 NC, hex, MS	Consult
27	35316	Screw, cap, 1/4-20 NC x 2, hex, MS	Consult

BENCH SCALES
BenchMark® MS
 Mild Steel, 12 x 18 inch

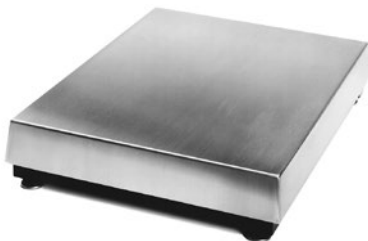


Bench Scales

BENCH SCALES

BenchMark® MS

Mild Steel, 18 x 18 inch

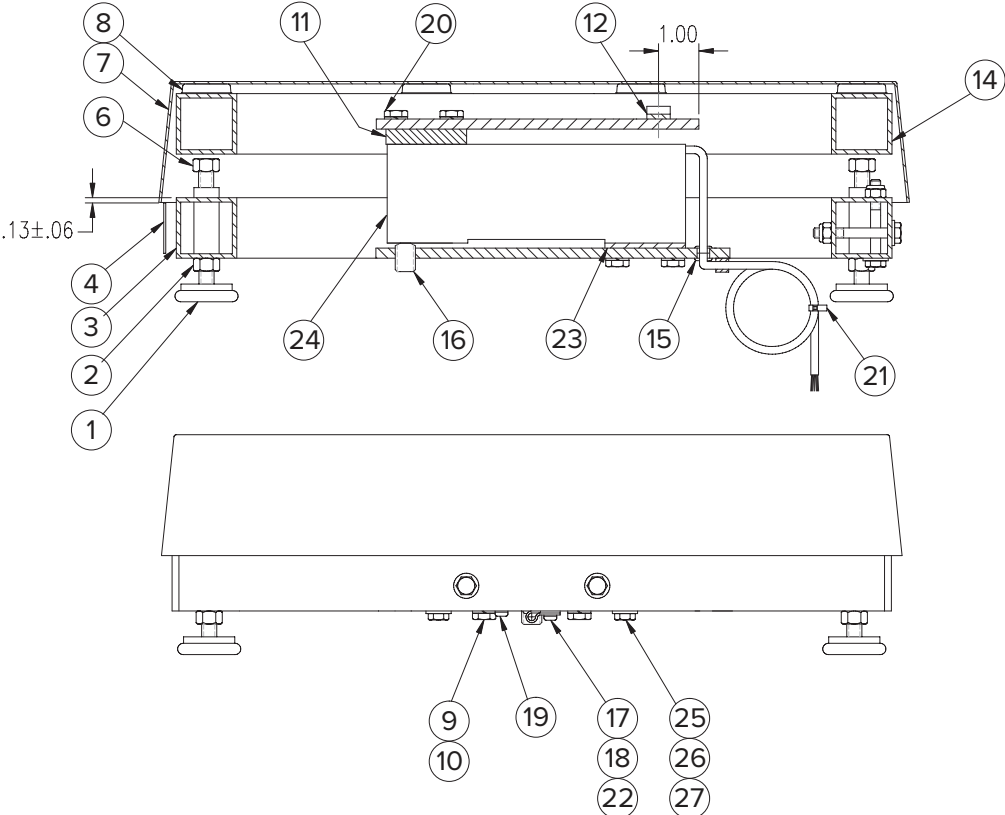
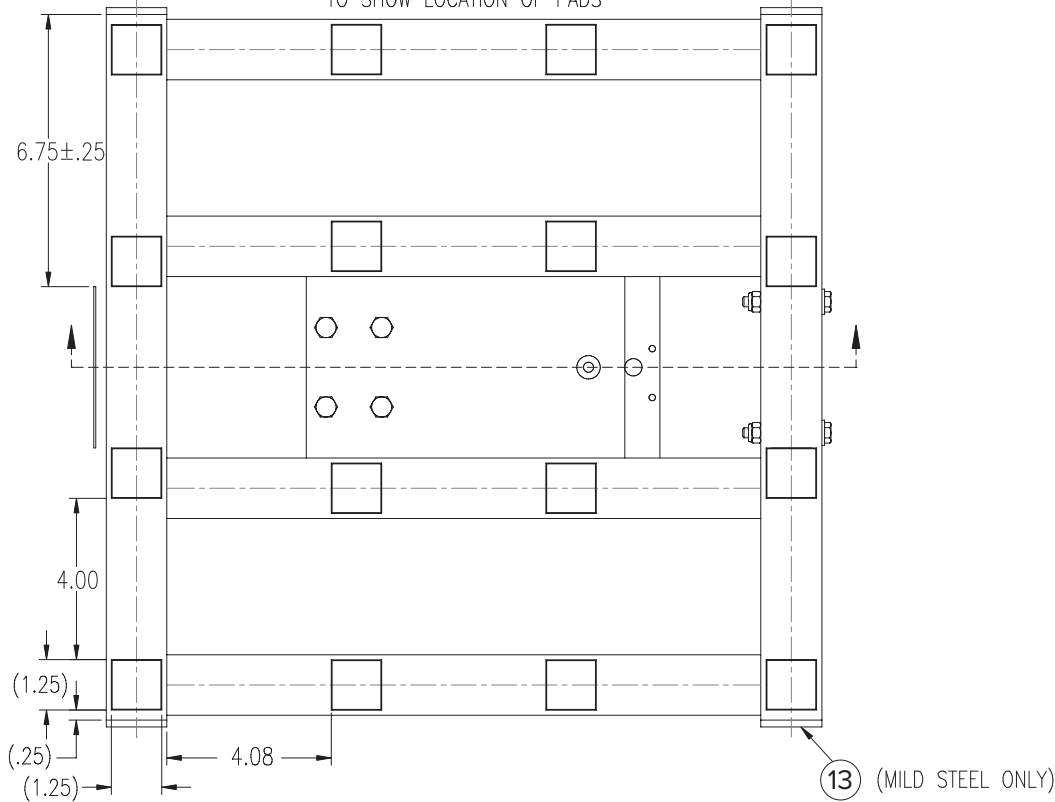


Part Number/Price

Ref#	Part#	Description	Price
	22125	Benchmark manual	Consult
1	19141	Foot, Bench Scale 3/8-16 NC	Consult
2	14649	Nut, Jam 3/8-16 NC hex	Consult
3	49766	Frame bottom, 18 x 18 in painted	Consult
4	52342	Label, bench scale	Consult
6	14742	Hex head bolt, 3/8-16 NC x 1	Consult
7	19094	Top cover 18 x 18 in SST	Consult
8	26407	Bumper, self adhesive	Consult
9	15153	Washer, lock, 5/16 regular	Consult
10	26667	Screw, cap, 5/16-18 NC x 1 hex (50 to 500 lb models)	Consult
10	26668	Screw, cap, 5/16-18 NC x 3/4, hex (1,000 lb model)	Consult
11	49785	Washer, plate	Consult
12	15410	Spirit level bubble, plastic	Consult
13	19140	Insert, glide, square	Consult
14	49765	Frame, top, 18 x 18 in	Consult
15	15418	Grommet, rubber	Consult
16	15045	Screw, set, 1/2-20 NF x 1/2, hex	Consult
17	15409	Clamp, nylon cable	Consult
18	15138	Washer, plain, STD no. 8	Consult
19	15134	Washer, lock no 8 type A	Consult
20	49788	Screw, cap, 5/16-18 NC x 1 1/4, hex (50 to 500 lb models)	Consult
20	26667	Screw, cap, 5/16-18 NC x 1 hex (1,000 lb model)	Consult
21	16141	Cable tie	Consult
22	14858	Screw, Mach, 8-32 NC x 5/16	Consult
23	49787	Shim plate	Consult
24	188682	Load cell, RL26018A-50kg (50 lb)	Consult
24	188684	Load cell, RL26018A-100kg (100 lb)	Consult
24	188685	Load cell, RL26018A-150kg (150 lb)	Consult
24	188686	Load cell, RL26018A-200kg (200 lb)	Consult
24	188687	Load cell, RL26018A-250kg (250 lb)	Consult
24	188688	Load cell, RL26018A-300kg (300 lb)	Consult
24	188689	Load cell, RL26018A-500kg (500 lb)	Consult
24	191105	Load cell, RL1218A-1000kg (1,000 lb)	Consult
25	35316	Bolt 1/4-20NC hex zinc plated	Consult
26	15145	Washer, plain, 1/4 Type A	Consult
27	14635	Nut, lock, 1/4-20 NC, hex	Consult

BENCH SCALES
BenchMark® MS
 Mild Steel, 18 × 18 inch

TOP VIEW OF SCALE WITH COVER REMOVED
 TO SHOW LOCATION OF PADS

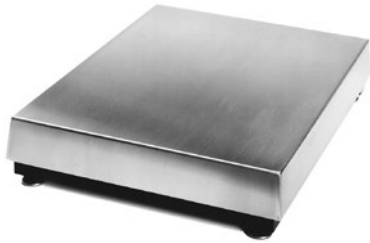


Bench Scales

BENCH SCALES

BenchMark® MS

Mild Steel, 18 x 24 inch

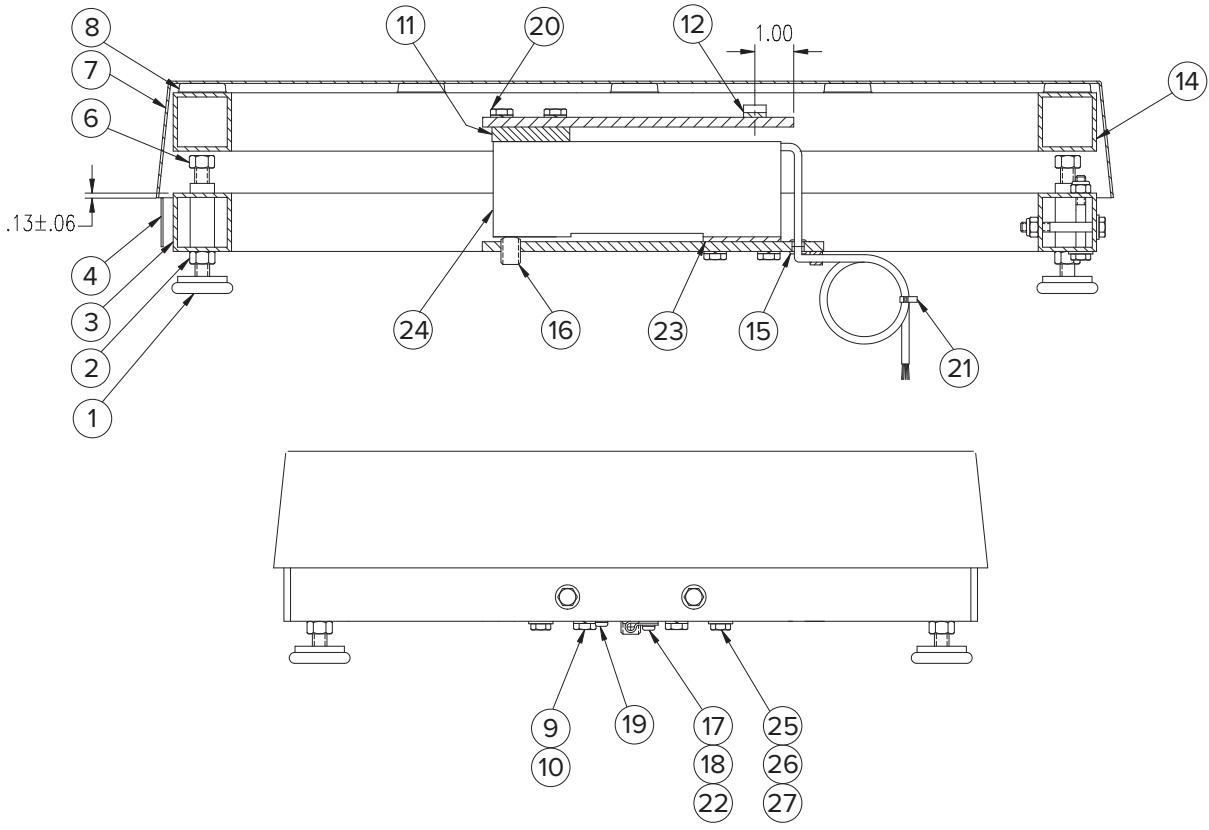
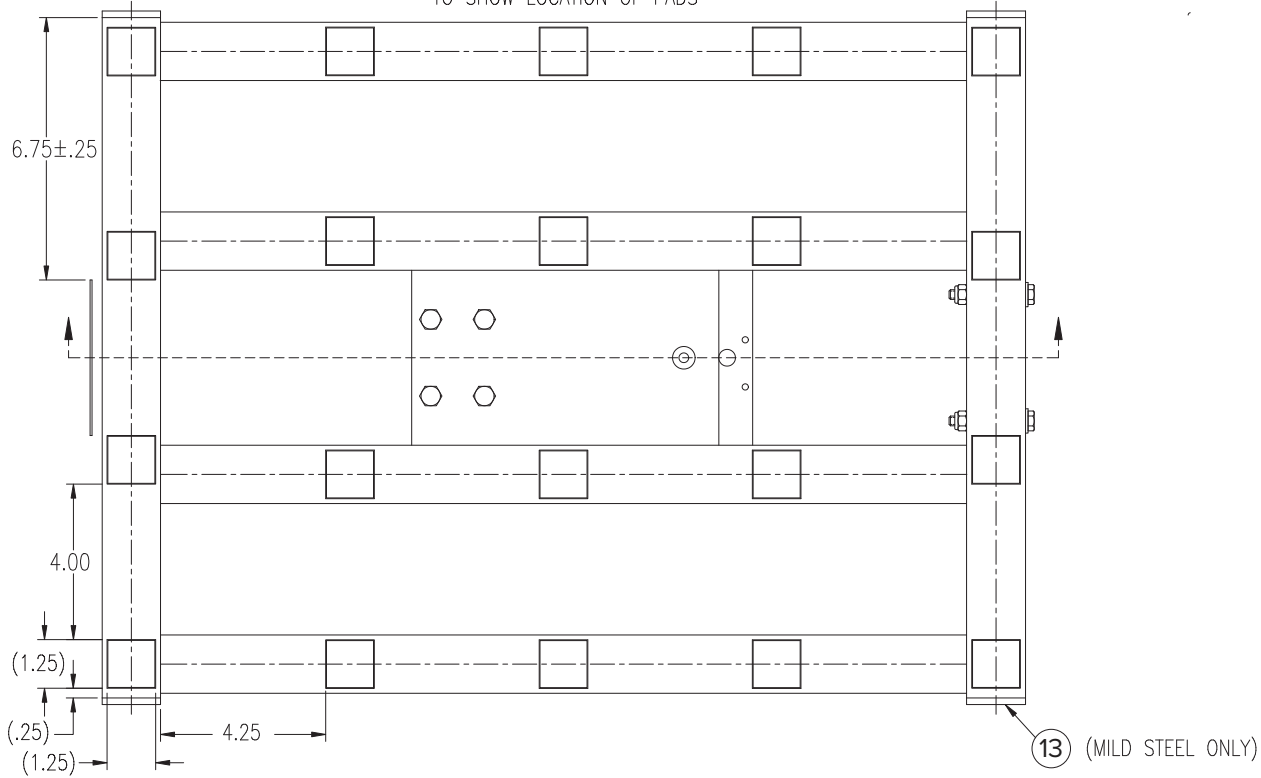


Part Number/Price

Ref#	Part#	Description	Price
	22125	Operating manual	Consult
	10082	Pad, 23.10 x 23.10	Consult
1	19141	Foot, Bench Scale 3/8-16 NC	Consult
2	14649	Nut, Jam 3/8-16 NC hex	Consult
3	49770	Frame bottom, 18 x 24 in painted	Consult
4	52342	Label, bench scale	Consult
6	14742	Hex head bolt, 3/8-16 NC x 1	Consult
7	19095	Top cover 18 x 24 in SST	Consult
8	26407	Bumper, self adhesive	Consult
9	15153	Washer, lock, 5/16 regular	Consult
10	26667	Screw, cap, 5/16-18 NC x 1, hex (50 to 500 lb models)	Consult
10	26668	Screw, cap, 5/16-18 NC x 3/4, hex, (1,000 lb model)	Consult
11	49785	Washer, plate	Consult
12	15410	Spirit level bubble, plastic	Consult
13	19140	Insert, glide, square	Consult
14	49769	Frame, top, 18 x 24 in	Consult
15	15418	Grommet, rubber	Consult
16	15045	Screw, set, 1/2-20 NF x 1/2, hex	Consult
17	15409	Clamp, nylon cable	Consult
18	15138	Washer, plain, STD no. 8	Consult
19	15134	Washer, lock no 8 type A	Consult
20	49788	Screw, cap, 5/16-18 NC x 1 1/4, hex (50 to 500 lb models)	Consult
20	26667	Screw, cap, 5/16-18 NC x 1 hex (1,000 lb model)	Consult
21	16141	Cable tie	Consult
22	14858	Screw, Mach, 8-32 NC x 5/16	Consult
23	49787	Shim plate	Consult
24	188682	Load cell, RL26018A-50kg (50 lb)	Consult
24	188684	Load cell, RL26018A-100kg (100 lb)	Consult
24	188685	Load cell, RL26018A-150kg (150 lb)	Consult
24	188686	Load cell, RL26018A-200kg (200 lb)	Consult
24	188687	Load cell, RL26018A-250kg (250 lb)	Consult
24	188688	Load cell, RL26018A-300kg (300 lb)	Consult
24	188689	Load cell, RL26018A-500kg (500 lb)	Consult
24	191105	Load cell, RL1218A-1000kg (1,000 lb)	Consult
25	35316	Bolt 1/4-20NC hex zinc plated	Consult
26	15145	Washer, plain, 1/4 Type A	Consult
27	14635	Nut, lock, 1/4-20 NC, hex	Consult

BENCH SCALES
BenchMark® MS
 Mild Steel, 18 x 24 inch

TOP VIEW OF SCALE WITH COVER REMOVED
 TO SHOW LOCATION OF PADS

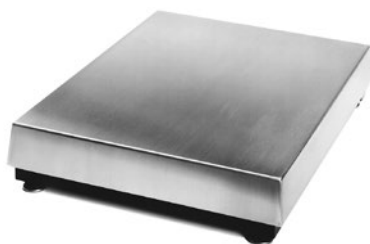


Bench Scales

BENCH SCALES

BenchMark® MS

Mild Steel, 24 x 24 inch



Part Number/Price

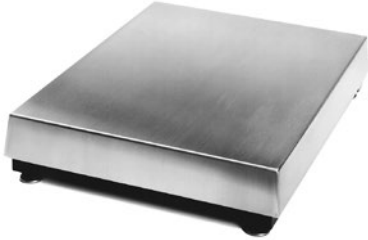
Ref#	Part#	Description	Price
	22125	Operating manual	Consult
	10082	Pad, 23.10 x 23.10	Consult
1	19141	Foot, Bench Scale 3/8-16NC	Consult
2	14649	Nut, Jam 3/8-16NC hex	Consult
3	49774	Frame bottom, 24 x 24 in painted	Consult
4	52342	Label, bench scale	Consult
6	14742	Hex head bolt, 3/8-16NC x 1	Consult
7	19095	Top cover 24 x 24 in SST	Consult
8	26407	Bumper, self adhesive	Consult
9	15153	Washer, lock, 5/16 regular	Consult
10	26667	Screw, cap, 5/16-18NC x 1, hex (50 to 500 lb models)	Consult
10	26668	Screw, cap, 5/16-18NC x 3/4, hex, (1,000 lb model)	Consult
11	49785	Washer, plate	Consult
12	15410	Spirit level bubble, plastic	Consult
13	19140	Insert, glide, square	Consult
14	49773	Frame, top, 24 x 24 in	Consult
15	15418	Grommet, rubber	Consult
16	15045	Screw, set, 1/2-20NF x 1/2, hex	Consult
17	15409	Clamp, nylon cable	Consult
18	15138	Washer, plain, STD no. 8	Consult
19	15134	Washer, lock no 8 type A	Consult
20	49788	Screw, cap, 5/16-18NC x 1 1/4, hex (50 to 500 lb models)	Consult
20	26667	Screw, cap, 5/16-18NC x 1 hex (1,000 lb model)	Consult
21	16141	Cable tie	Consult
22	14858	Screw, Mach, 8-32 NC x 5/16	Consult
23	49787	Shim plate	Consult
24	188684	Load cell, RL26018A-100kg (100 lb)	Consult
24	188685	Load cell, RL26018A-150kg (150 lb)	Consult
24	188686	Load cell, RL26018A-200kg (200 lb)	Consult
24	188687	Load cell, RL26018A-250kg (250 lb)	Consult
24	188688	Load cell, RL26018A-300kg (300 lb)	Consult
24	188689	Load cell, RL26018A-500kg (500 lb)	Consult
24	191105	Load cell, RL1218A-1000kg (1,000 lb)	Consult
25	35316	Bolt 1/4-20NC hex zinc plated	Consult
26	15145	Washer, plain, 1/4 Type A	Consult
27	14635	Nut, lock, 1/4-20NC, hex	Consult

BENCH SCALES

BenchMark® Single Point

18 x 18in & 18 x 24in & 24 x 24in Mild and Stainless Steel

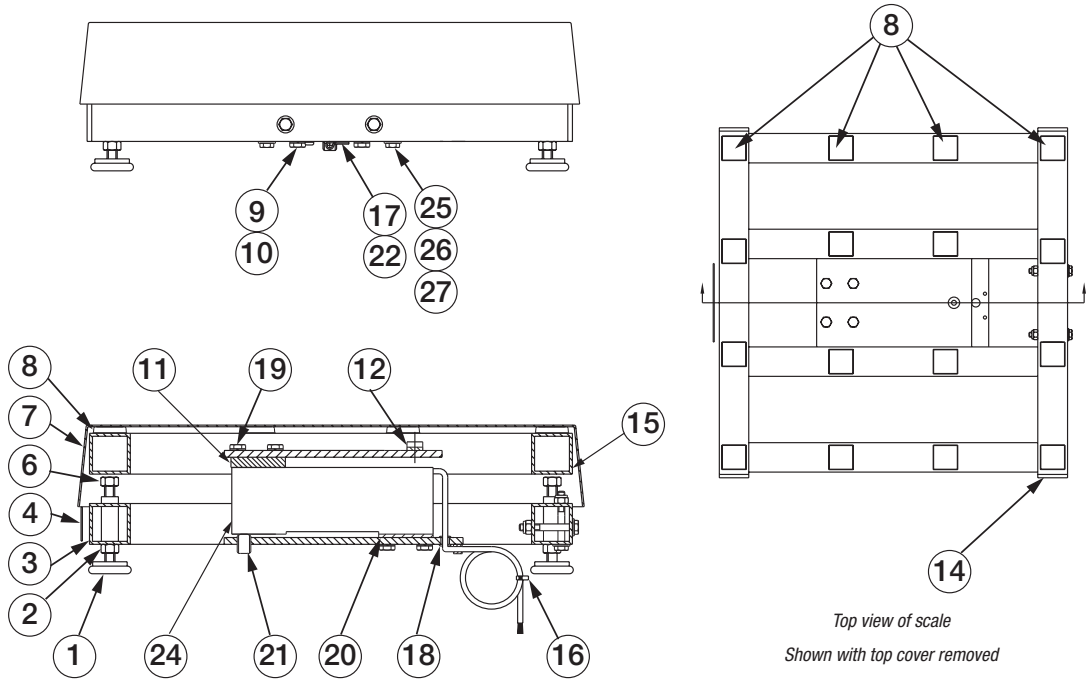
Part Number/Price



Ref#	Part#	Description	Price
	22125	Operating manual	Consult
	10082	Pad, 23.10 x 23.10	Consult
1	19141	Foot, Bench Scale 3/8-16NC	Consult
2	14649	Nut, Jam 3/8-16 NC hex	Consult
2	14653	Jam nut, foot SS	Consult
3	49766	Frame bottom, 18 in x 18 in, MS (RL1260/PMW16 load cell)	Consult
3	49768	Frame bottom, 18 in x 18 in, SS (RL1260/PMW16 load cell)	Consult
3	49770	Frame bottom, 18 in x 24 in, MS (RL1260/PMW16 load cell)	Consult
3	49772	Frame bottom, 18 in x 24 in, SS (RL1260/PMW16 load cell)	Consult
3	49774	Frame bottom, 24 in x 24 in, MS (RL1260/PMW16 load cell)	Consult
3	49776	Frame bottom, 24 in x 24 in, SS (RL1260/PMW16 load cell)	Consult
3	19108	Frame bottom, 18 in x 18 in, MS (RL1250 load cell)	Consult
3	19109	Frame bottom, 18 in x 18 in, SS (RL1250 load cell)	Consult
3	19110	Frame bottom, 18 in x 24 in, MS (RL1250 load cell)	Consult
3	19111	Frame bottom, 18 in x 24 in, SS (RL1250 load cell)	Consult
3	19112	Frame bottom, 24 in x 24 in, MS (RL1250 load cell)	Consult
3	19114	Frame bottom, 24 in x 24 in, SS (RL1250 load cell)	Consult
4	52342	Label, bench scale	Consult
6	14742	Hex head bolt, 3/8-16NC x 1	Consult
7	19094	Cover, top, 18 in x 18 in	Consult
7	19095	Cover, top, 18 in x 24 in	Consult
7	19096	Cover, top, 24 in x 24 in	Consult
8	26407	Bumper, self adhesive	Consult
9	15153	Washer, lock, 5/16 regular, MS	Consult
9	15154	Washer, lock, 5/16 regular, SS	Consult
10	26668	Screw, cap, 5/16-18 NC x 3/4, hex, MS	Consult
10	26669	Screw, cap, 5/16-18 NC x 3/4, hex, SS	Consult
10	26667	Screw, cap, 5/16-18 NC x 1, hex, MS	Consult
10	26670	Screw, cap, 5/16-18 NC x 1, hex, SS	Consult

(See Diagram BenchMark-C)

Bench Scales



BenchMark-C

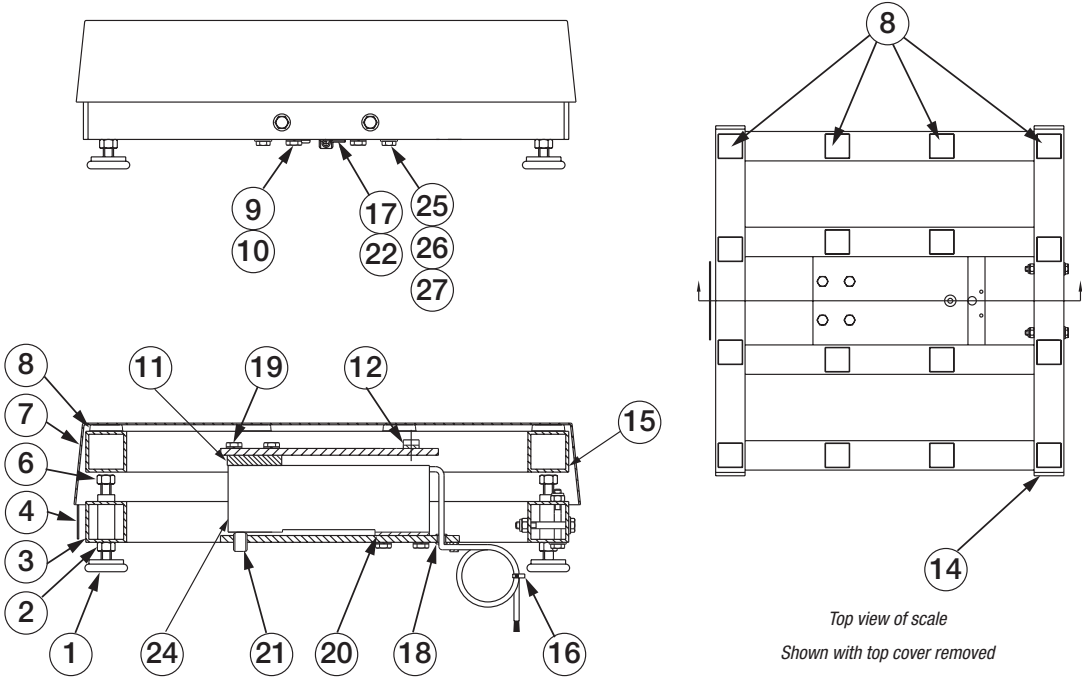
BenchMark® Single Point

18 x 18 in & 18 x 24 in & 24 x 24 in Mild and Stainless Steel

Part Number/Price

Ref#	Part#	Description	Price
	22125	Benchmark manual	Consult
1	35128	Foot, 1/4-20NC x 1 3/16 SS	Consult
2	14645	Nut, jam, 1/4-20NC, hex	Consult
3	32795	Bottom sub-assembly	Consult
4	52342	Label, bench scale	Consult
7	19093	Top cover, 12 in x 18 in	Consult
8	40962	Load cell, RL1042-50 lb model	Consult
8	40964	Load cell, RL1042-100 lb model	Consult
9	15148	Washer, locking	Consult
10	14963	Overload screw, 1/4-20NC x 3/4	Consult
11	35082	Top shim, load cell	Consult
12	15410	Spirit level bubble, plastic	Consult
14	32797	Spider top, 12 in x 18 in	Consult
15	16141	Cable tie	Consult
16	15418	Grommet, rubber	Consult
17	14920	Screw, overload protection, 8-32UNC x 1/4, SS	Consult
18	15409	Clamp, nylon cable	Consult
19	15138	Washer, plain, STD no. 8	Consult
20	15132	Washer, locking, # 8 SS	Consult
21	14862	Screw, Mach, 8-32 NC x 3/8, SS	Consult
22	19089	Load cell shim, SS	Consult
24	26408	Bumper, self adhesive	Consult

(See diagram BenchMark-B)



BenchMark-C

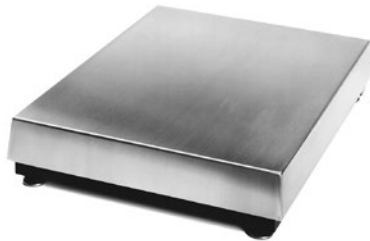
Bench Scales

BENCH SCALES

BenchMark® Single Point

18 x 18in & 18 x 24in & 24 x 24in Mild and Stainless Steel

Part Number/Price

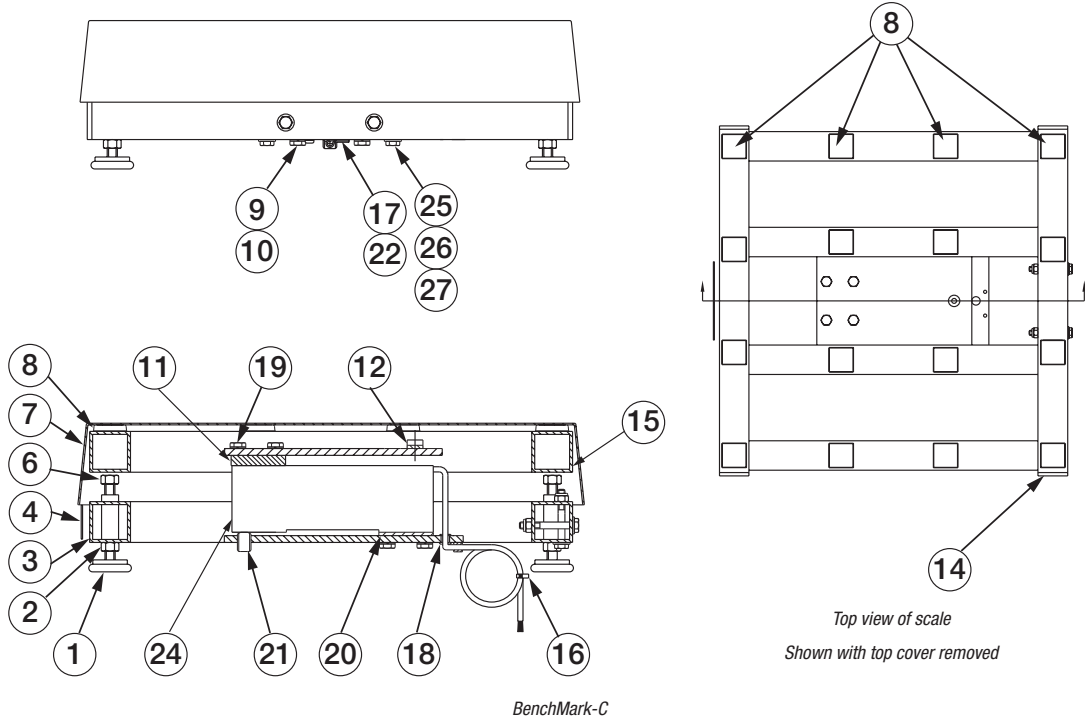


Ref#	Part#	Description	Price
11	49785	Plate, washer, MS (RL1260/RLPMW16 load cell)	Consult
11	49786	Plate, washer, SS (RL1260/RLPMW16 load cell)	Consult
11	19102	Plate, washer, MS (RL1250 load cell)	Consult
11	19103	Plate, washer, SS (RL1250 load cell)	Consult
12	15410	Spirit level bubble, plastic	Consult
14	19140	Insert, glide, square	Consult
15	49765	Frame, top, 18 in x 18 in, MS (RL1260/RLPMW16 load cell)	Consult
15	49767	Frame, top, 18 in x 18 in, SS (RL1260/RLPMW16 load cell)	Consult
15	19116	Frame, top, 18 in x 18 in, MS (RL1250 load cell)	Consult
15	19117	Frame, top, 18 in x 18 in, SS (RL1250 load cell)	Consult
15	19118	Frame, top, 18 in x 24 in, MS (RL1250 load cell)	Consult
15	19119	Frame, top, 18 in x 24 in, SS (RL1250 load cell)	Consult
15	49769	Frame, top, 18 in x 24 in, MS (RL1260/RLPMW16 load cell)	Consult
15	49771	Frame, top, 18 in x 24 in, SS (RL1260/RLPMW16 load cell)	Consult
15	49773	Frame, top, 24 in x 24 in, MS (RL1260/RLPMW16 load cell)	Consult
15	49775	Frame, top, 24 in x 24 in, SS (RL1260/RLPMW16 load cell)	Consult
15	19120	Frame, top, 24 in x 24 in, MS (RL1250 load cell)	Consult
15	19121	Frame, top, 24 in x 24 in, SS (RL1250 load cell)	Consult
16	16141	Cable tie	Consult
17	15409	Clamp, nylon cable	Consult
18	15418	Grommet, rubber	Consult
19	49788	Screw, cap, 5/16-18 NC x 1 1/4, hex, MS (RL1260 load cell)	Consult
19	49789	Screw, cap, 5/16-18 NC x 1 1/4, hex, SS (RL1260 load cell)	Consult
19	26667	Screw, cap, 5/16-18 NC x 1, hex, MS (RL1250 load cell)	Consult
19	26668	Screw, cap, 5/16-18 NC x 3/4, hex, MS (RL1250 load cell)	Consult
19	26669	Screw, cap, 5/16-18 NC x 3/4, hex, SS (RL1250 load cell)	Consult
20	49787	Shim plate (RL1260/RLPMW16 load cell)	Consult
20	22264	Shim plate (RL1250 load cell)	Consult
21	15045	Screw, set, 1/2-20 NF x 1/2, hex, MS	Consult
21	15047	Screw, set, 1/2-20 NF x 1/2, hex, SS	Consult
22	14858	Screw, Mach, 8-32 NC x 5/16, MS	Consult
22	14862	Screw, Mach, 8-32 NC x 3/8, SS	Consult
24	188682	Load cell, RL26018A (50 lb models)	Consult
24	188684	Load cell, RL26018A (100 lb models)	Consult
24	188685	Load cell, RL26018A (150 lb models)	Consult
24	188686	Load cell, RL26018A (200 lb models)	Consult
24	188687	Load cell, RL26018A (250 lb models)	Consult
24	188688	Load cell, RL26018A (300 lb models)	Consult
24	188689	Load cell, RL26018A (500 lb models)	Consult
24	191105	Load cell, SPT RL1218A (1000 lb models)	Consult
25	35316	Screw, cap, 1/4-20 NC x 2, hex, MS	Consult
25	35199	Screw, cap, 1/4-20 NC x 2, hex, SS	Consult
26	15145	Washer, plain, 1/4 Type A, MS	Consult
26	15149	Washer, plain, 1/4 Type A, SS	Consult
27	14635	Nut, lock, 1/4-20 NC, hex, MS	Consult
27	14634	Nut, lock, 1/4-20 NC, hex, SS	Consult

(See Diagram BenchMark-C)

BenchMark® Single Point

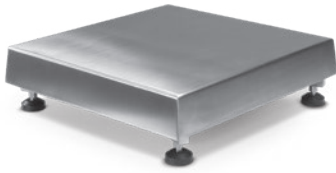
18 x 18in & 18 x 24in & 24 x 24in Mild and Stainless Steel



BENCH SCALES

BenchMark® HE-X

12 x 18 inch

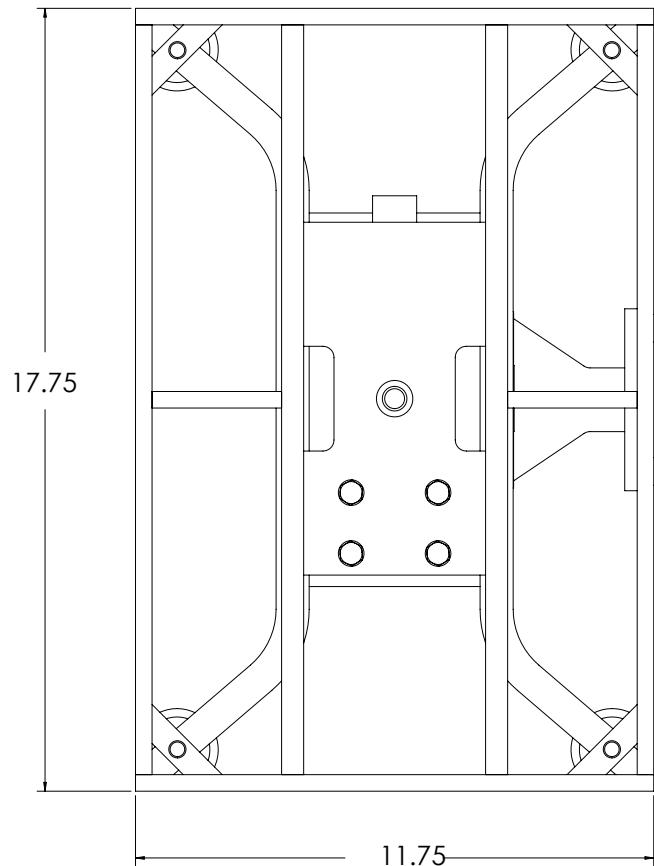


Part Number/Price

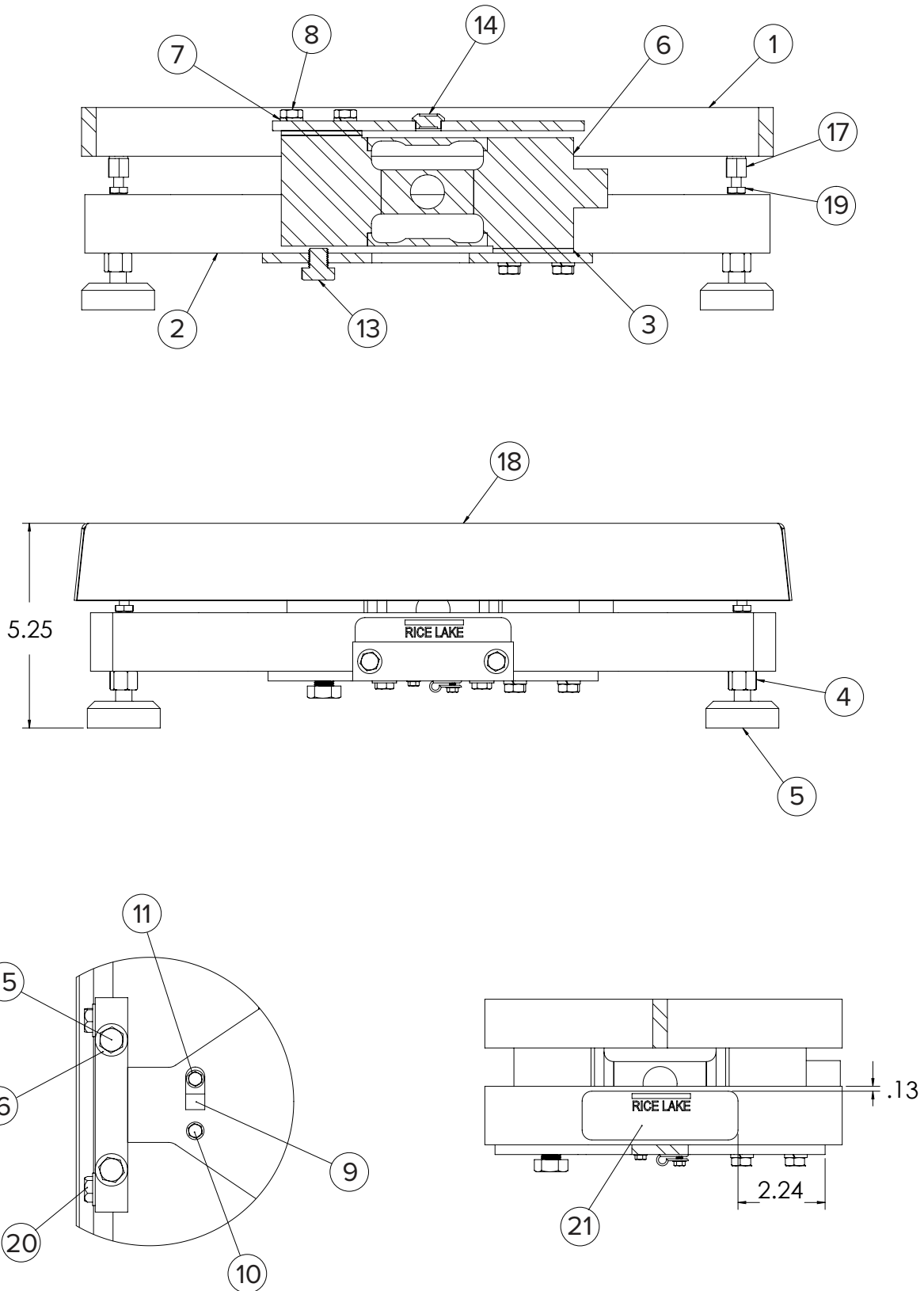
Ref#	Part#	Description	Price
1	192293	Frame, top weldment 12 x 18 in	Consult
2	192287	Frame, bottom 12 x 18 in SST	Consult
3	191519	Shim, RLPCBC load cell sst	Consult
4	191518	Nut coupling 1/2-20NF	Consult
5	191885	Foot	Consult
6	87022	Load cell, RLPCBC-60 50 kg (50 lb model)	Consult
6	87023	Load cell, RLPCBC-60 100 kg (100 lb model)	Consult
7	15154	5/16 Lock washer set	Consult
8	49789	Cap screw 5/16-18 NC x 1.25 hex head sst	Consult
9	15409	Clamp, nylon cable	Consult
10	184359	Screw, 8-32 x 1/4 hex head 18-8 sst	Consult
11	15132	Washer, locking, #8 SS	Consult
13	183530	Screw, cap 1/2-20 NF x 0.50 hex head sst	Consult
14	187195	Spirit level bubble	Consult
15	14963	Overload screw, 1/4-20 NC x 3/4	Consult
16	15149	Washer, flat, 1/4 Type A, SS	Consult
17	105555	Coupling nut 1/4-20NC x 0.48, hex SS	Consult
18	19093	Top cover 12 x 18 in SST	Consult
19	151269	Screw, cap 1/4-20 hhcs 18-8 sst p-t	Consult
20	14954	Screw, cap 1/4-20 NC x 3/8 sst	Consult
21	52342	Label, bench scale	Consult

(See Diagram BenchMark-HE-X)

TOP VIEW OF SCALE SHOWN WITH COVER REMOVED FOR CLARITY



BENCH SCALES
BenchMark® HE-X
 12 x 18 inch

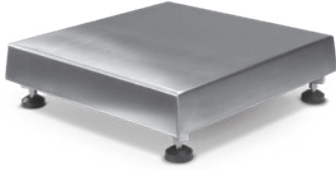


Bench Scales

BENCH SCALES

BenchMark® HE-X

18 x 18 inch

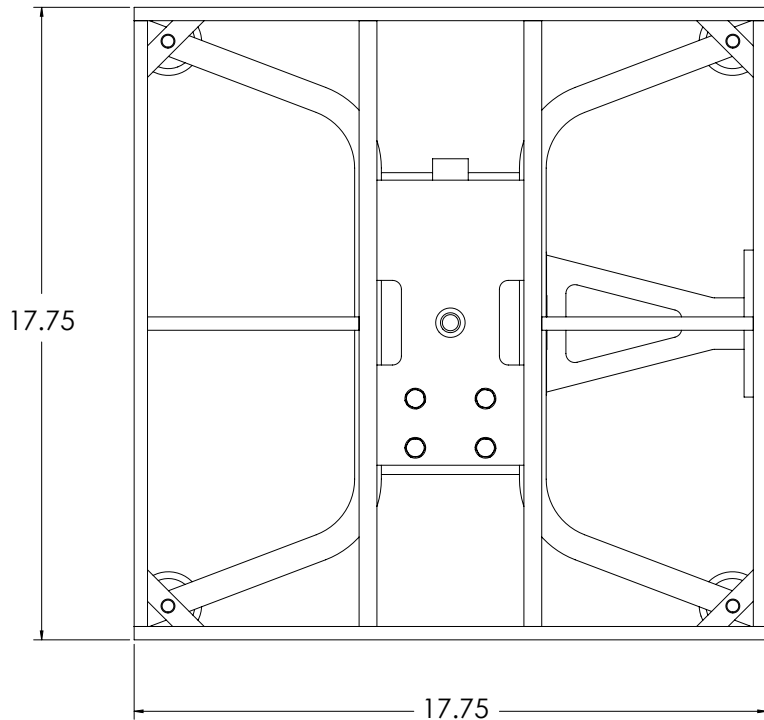


Part Number/Price

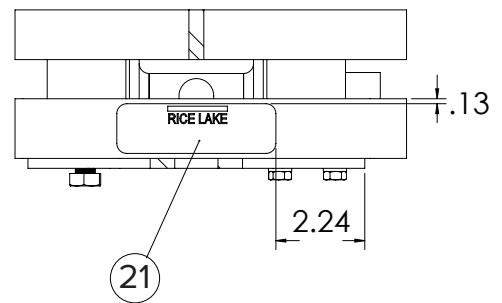
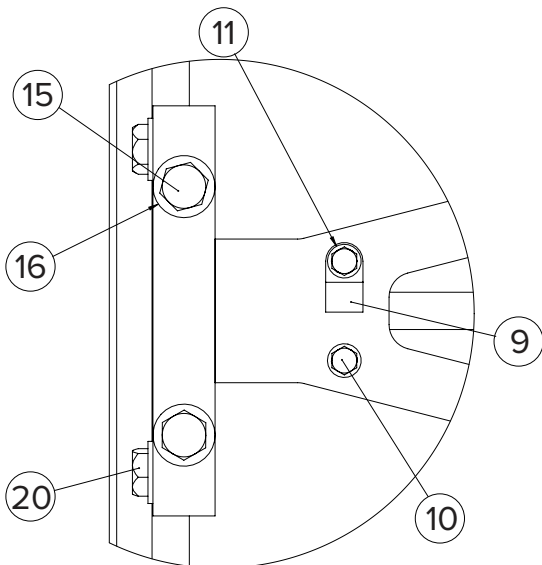
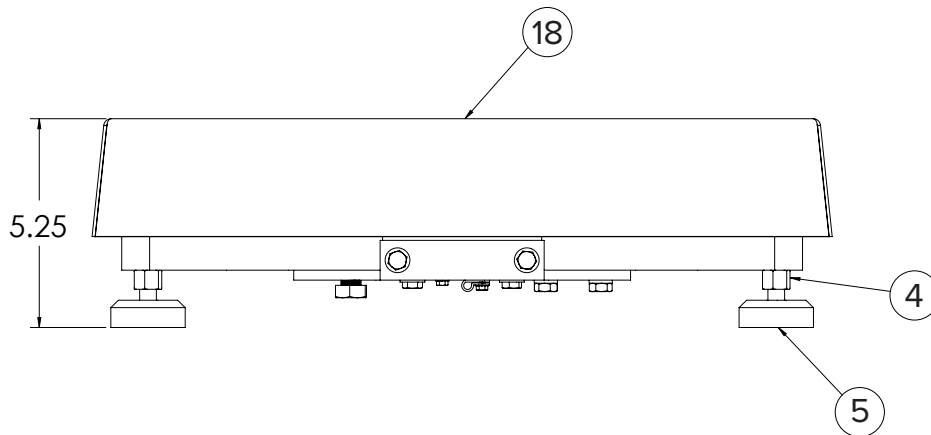
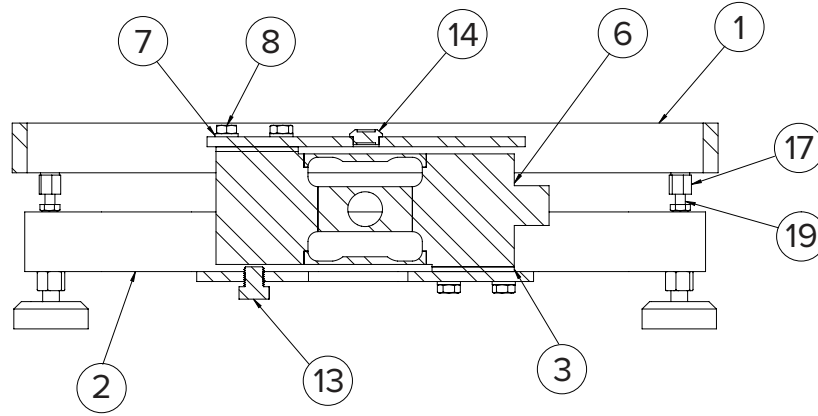
Ref#	Part#	Description	Price
1	191534	Frame, top weldment 18 x 18 in	Consult
2	191522	Frame, bottom 18 x 18 in SST	Consult
3	191519	Shim, RLPCBC load cell sst	Consult
4	191518	Nut coupling 1/2-20NF	Consult
5	191885	Foot	Consult
6	87022	Load cell, RLPCBC-60 50 kg (50 lb model)	Consult
6	87023	Load cell, RLPCBC-60 100 kg (100 to 150 lb models)	Consult
6	87024	Load cell, RLPCBC-60 250 kg (200 to 300 lb models)	Consult
6	87025	Load cell, RLPCBC-60 500 kg (500 lb model)	Consult
6	87026	Load cell, RLPCBC-60 1000 kg (1,000 lb model)	Consult
7	15154	5/16 Lock washer set	Consult
8	49789	Cap screw 5/16-18 NC x 1.25 hex head sst	Consult
9	15409	Clamp, nylon cable	Consult
10	184359	Screw, 8-32 x 1/4 hex head 18-8 sst	Consult
11	15132	Washer, locking, #8 SS	Consult
13	183530	Screw, cap 1/2-20 NF x 0.50 hex head sst	Consult
14	187195	Spirit level bubble	Consult
15	14963	Overload screw, 1/4-20 NC x 3/4	Consult
16	15149	Washer, flat, 1/4 Type A, SS	Consult
17	105555	Coupling nut 1/4-20NC x 0.48, hex SS	Consult
18	19094	Top cover 18 x 18 in SST	Consult
19	151269	Screw, cap 1/4-20 hhcs 18-8 sst p-t	Consult
20	14954	Screw, cap 1/4-20 NC x 3/8 sst	Consult
21	52342	Label, bench scale	Consult

(See Diagram BenchMark-HE-X)

TOP VIEW OF SCALE SHOWN WITH COVER REMOVED FOR CLARITY



BENCH SCALES
BenchMark® HE-X
 18 x 18 inch

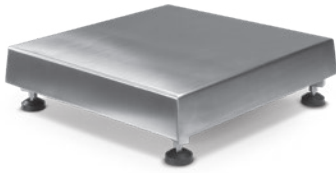


Bench Scales

BENCH SCALES

BenchMark® HE-X

18 x 24 inch

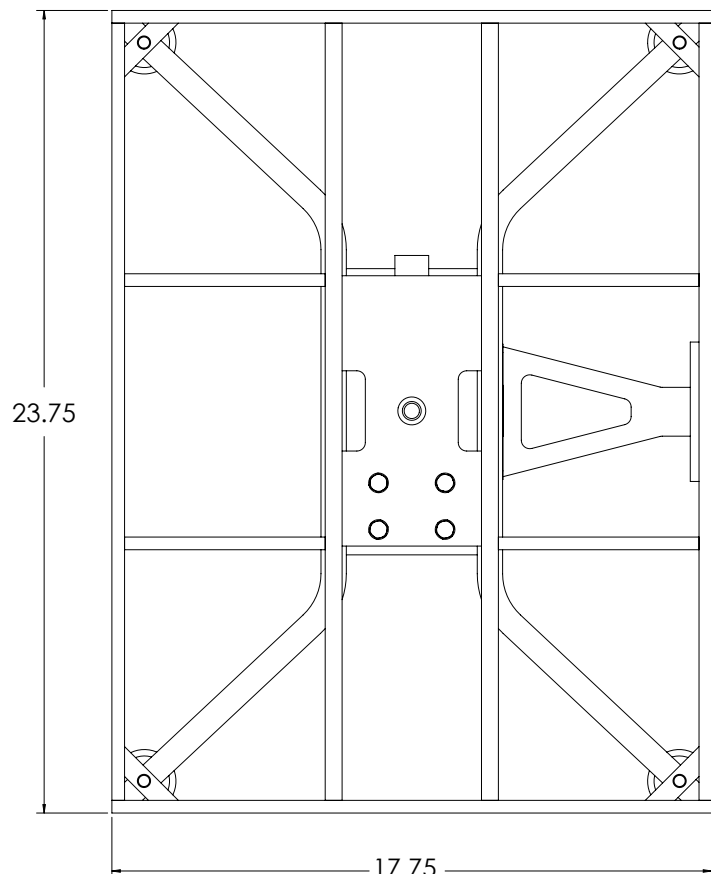


Part Number/Price

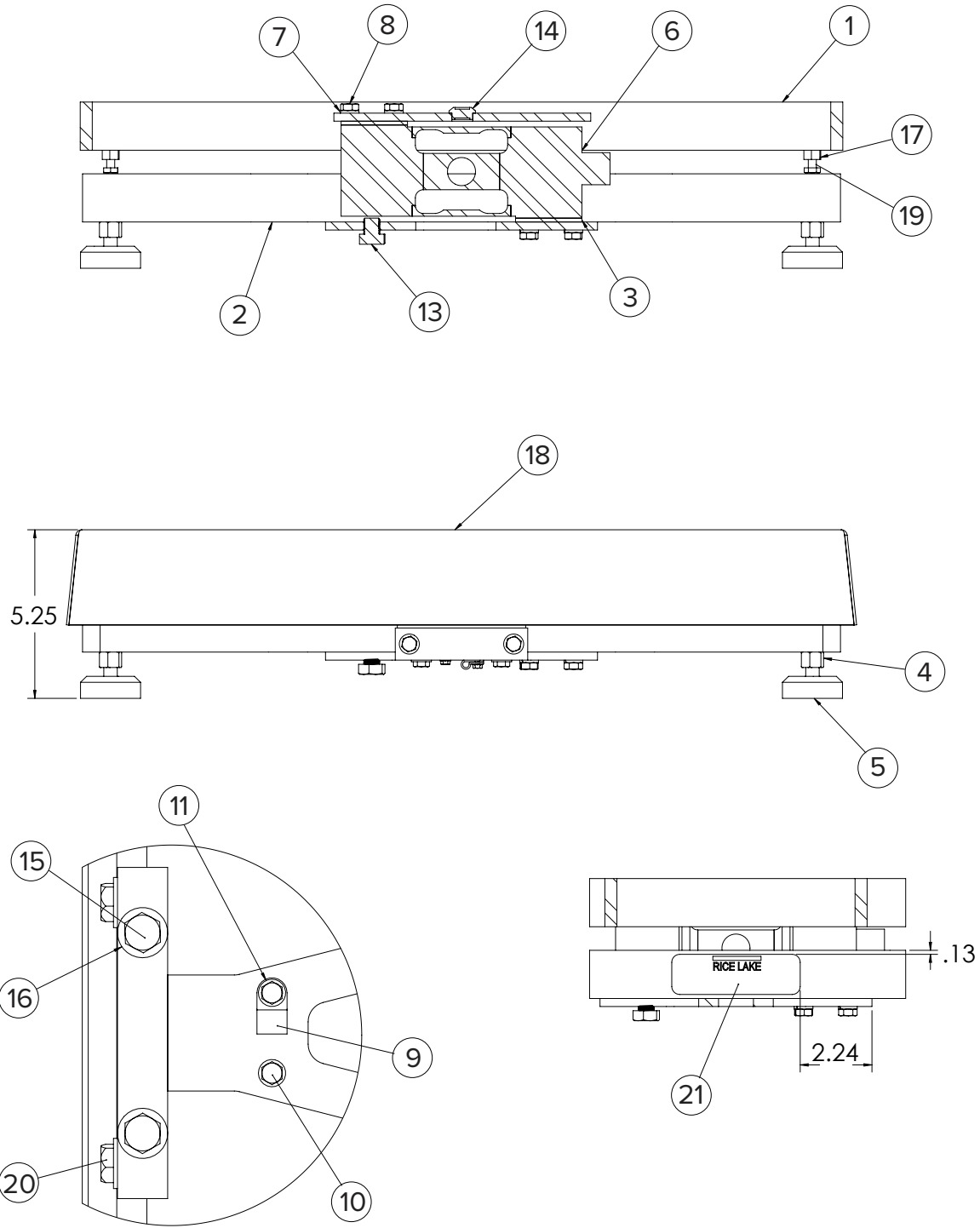
Ref#	Part#	Description	Price
1	191815	Frame, top weldment 18 x 24 in	Consult
2	191814	Frame, bottom 18 x 24 in SST	Consult
3	191519	Shim, RLPBCB load cell sst	Consult
4	191518	Nut coupling 1/2-20NF	Consult
5	191885	Foot	Consult
6	87022	Load cell, RLPBCB-60 50 kg (50 lb model)	Consult
6	87023	Load cell, RLPBCB-60 100 kg (100 to 150 lb models)	Consult
6	87024	Load cell, RLPBCB-60 250 kg (200 to 300 lb models)	Consult
6	87025	Load cell, RLPBCB-60 500 kg (500 lb model)	Consult
6	87026	Load cell, RLPBCB-60 1000 kg (1,000 lb model)	Consult
7	15154	5/16 Lock washer set	Consult
8	49789	Cap screw 5/16-18 NC x 1.25 hex head sst	Consult
9	15409	Clamp, nylon cable	Consult
10	184359	Screw, 8-32 x 1/4 hex head 18-8 sst	Consult
11	15132	Washer, locking, #8 SS	Consult
13	183530	Screw, cap 1/2-20NF x 0.50 hex head sst	Consult
14	187195	Spirit level bubble	Consult
15	14963	Overload screw, 1/4-20NC x 3/4	Consult
16	15149	Washer, flat, 1/4 Type A, SS	Consult
17	105555	Coupling nut 1/4-20NC x 0.48, hex SS	Consult
18	19095	Top cover 18 x 24 in SST	Consult
19	151269	Screw, cap 1/4-20 hhcs 18-8 sst p-t	Consult
20	14954	Screw, cap 1/4-20NC x 3/8 sst	Consult
21	52342	Label, bench scale	Consult

(See Diagram BenchMark-HE-X)

TOP VIEW OF SCALE SHOWN WITH COVER REMOVED FOR CLARITY



BENCH SCALES
BenchMark® HE-X
 18 x 24 inch

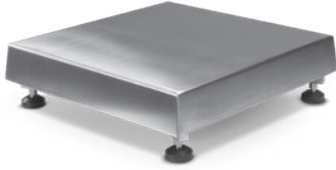


Bench Scales

BENCH SCALES

BenchMark® HE-X

24 x 24 inch

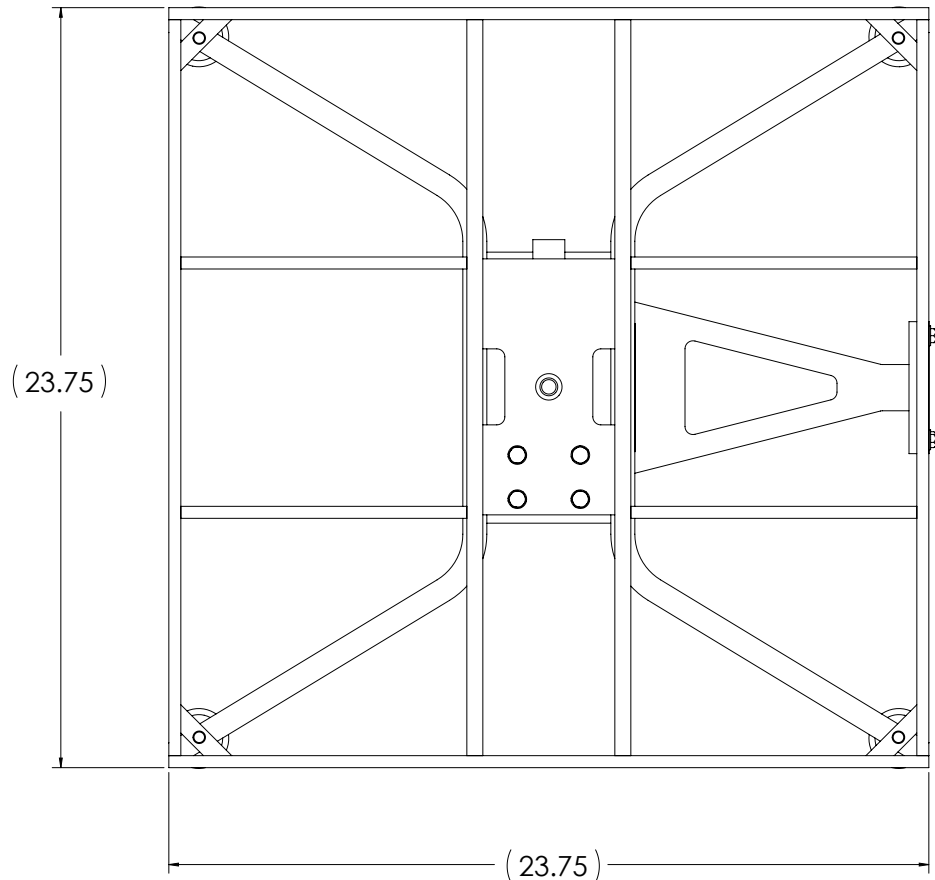


Part Number/Price

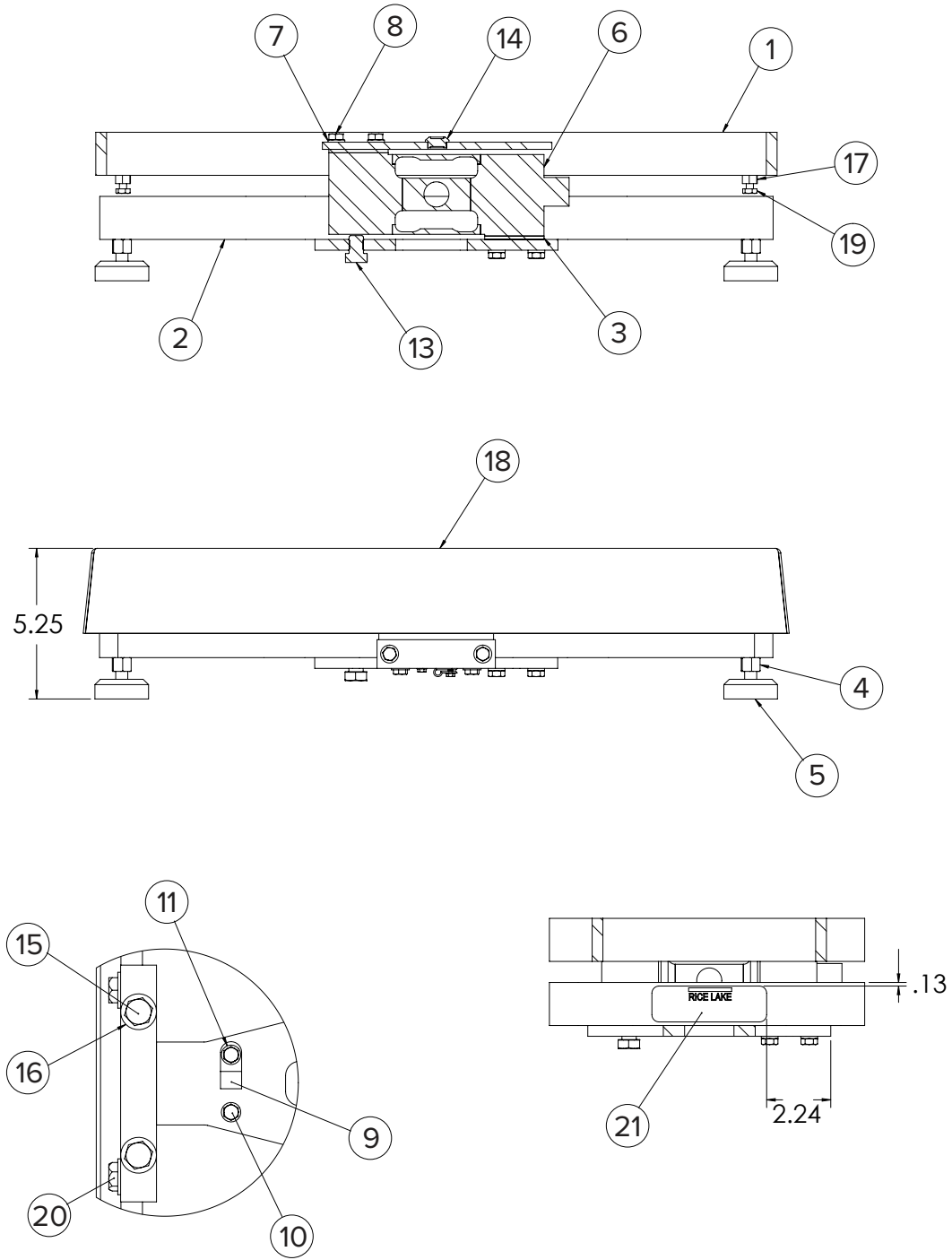
Ref#	Part#	Description	Price
1	191781	Frame, top weldment 24 x 24 in	Consult
2	191770	Frame, bottom 24 x 24 in SST	Consult
3	191519	Shim, RLPCBC load cell sst	Consult
4	191518	Nut coupling 1/2-20NF	Consult
5	191885	Foot	Consult
6	87023	Load cell, RLPCBC-60 100 kg (100 to 150 lb models)	Consult
6	87024	Load cell, RLPCBC-60 250 kg (200 to 300 lb models)	Consult
6	87025	Load cell, RLPCBC-60 500 kg (500 lb model)	Consult
6	87026	Load cell, RLPCBC-60 1000 kg (1,000 lb model)	Consult
7	15154	5/16 Lock washer set	Consult
8	49789	Cap screw 5/16-18 NC x 1.25 hex head sst	Consult
9	15409	Clamp, nylon cable	Consult
10	184359	Screw, 8-32 x 1/4 hex head 18-8 sst	Consult
11	15132	Washer, locking, #8 SS	Consult
13	195665	Screw, cap 1/2-20 NF x 5/8 hex head	Consult
14	187195	Spirit level bubble	Consult
15	14963	Overload screw, 1/4-20 NC x 3/4	Consult
16	15149	Washer, flat, 1/4 Type A, SS	Consult
17	105555	Coupling nut 1/4-20NC x 0.48, hex SS	Consult
18	19096	Top cover 24 x 24 SST	Consult
19	151269	Screw, cap 1/4-20 hhcs 18-8 sst p-t	Consult
20	14954	Screw, cap 1/4-20 NC x 3/8 sst	Consult
21	52342	Label, bench scale	Consult

(See Diagram BenchMark-HE-X)

TOP VIEW OF SCALE SHOWN WITH COVER REMOVED FOR CLARITY



BENCH SCALES
BenchMark® HE-X
 24 x 24 inch

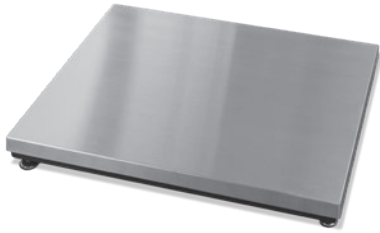


Bench Scales

BENCH SCALES

BenchMark® LP

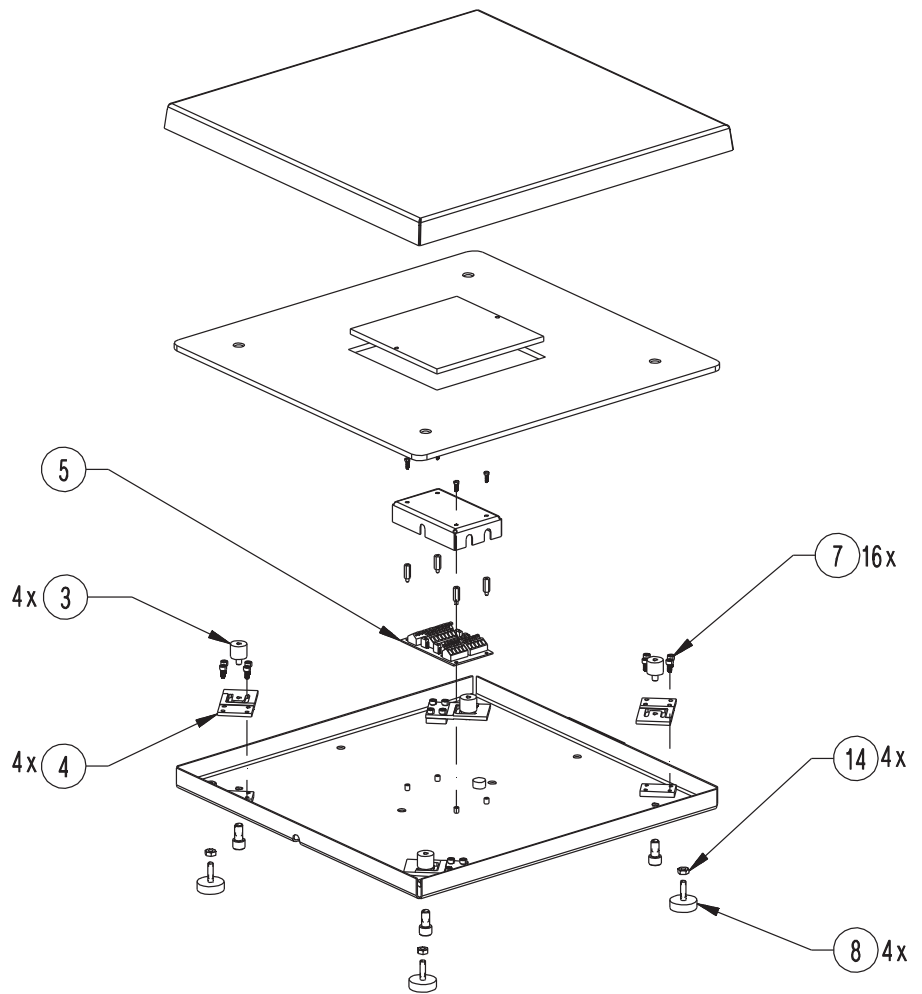
18 x 18in or 24 x 24in 100lb/250lb/500lb



Part Number/Price

Ref#	Part#	Description	Price
5	88958	Board, 4 Channel ST	Consult
100 lb			
3	96823	Load Mount, male-female	Consult
4	100272	Load Cell SEB, RLBLP-15 kg	Consult
7	14931	Screw, Cap 10-32 NF x 3/8 hex	Consult
8	35128	Foot, 1/4-20 NC x 1 3/16 SS	Consult
14	14636	Nut, Jam 1/4 20 NC hex	Consult
250 lb			
3	96824	Load Mount, male-female	Consult
4	104645	Load Cell SEB, RLBLP 37.5 kg	Consult
7	14959	Screw, Cap 1/4 20 NC x 1/2 hex	Consult
8	19141	Foot, Bench Scale 3/8-16 NC	Consult
14	14649	Nut, Jam 3/8-16 NC hex	Consult
500 lb			
3	96825	Load Mount, male-female	Consult
4	100273	Load Cell SEB, RLBLP-75 kg	Consult
7	14959	Screw, Cap 1/4 20 NC x 1/2 hex	Consult
8	19141	Foot, Bench Scale 3/8-16 NC	Consult
14	14649	Nut, Jam 3/8-16 NC hex	Consult

(See Diagram BenchMark-LP)



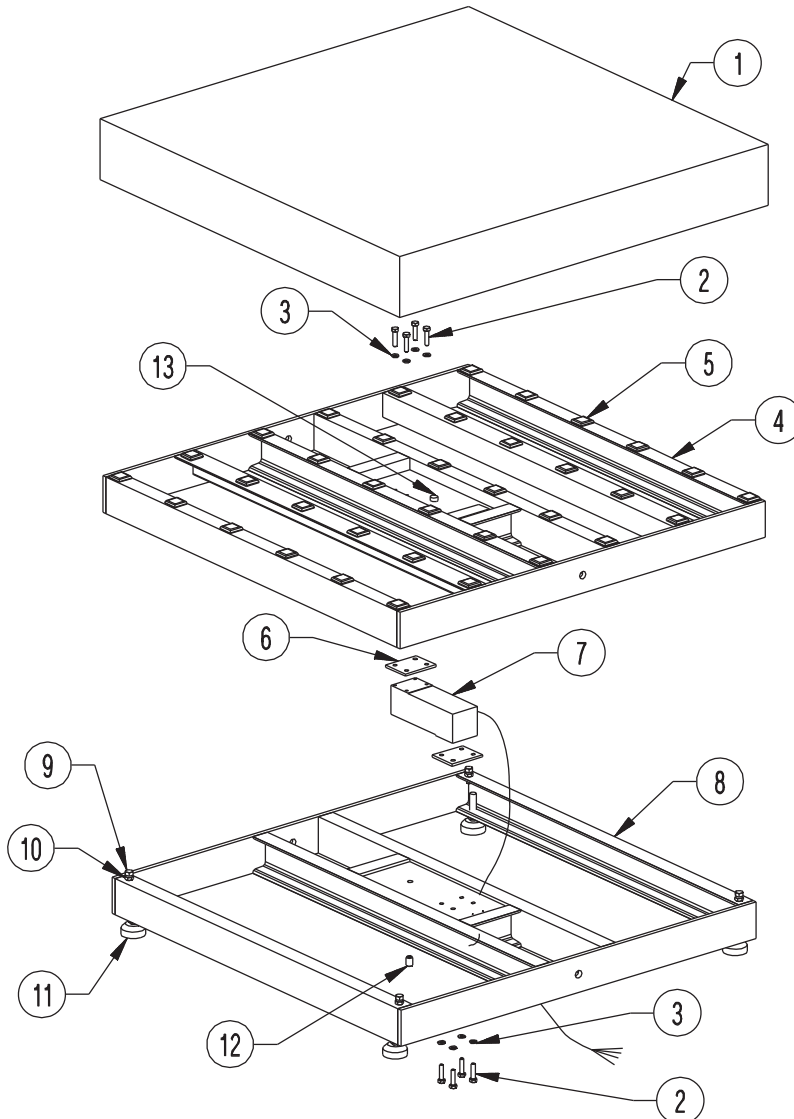
BenchMark-LP



Part Number/Price

Ref#	Part#	Description	Price
1	93775	Top cover, 30 in x 30 in	Consult
1	93768	Top cover, 36 in x 36 in	Consult
2	49788	Screw, cap, 5/16-18 NC x 1 1/4, hex	Consult
3	15153	Lock washer, 5/16 regular	Consult
4	93758	Top frame, 30 in x 30 in	Consult
4	93760	Top frame, 36 in x 36 in	Consult
5	26407	Bumper, self adhesive	Consult
6	87358	Shim, 3/16 x 2 - 3/8-16 NC x 1	Consult
7	41024	Load cell, RL1260-250 lb scale	Consult
7	41026	Load cell, RL1260-500 lb scale	Consult
8	93759	Bottom frame 30 in x 30 in	Consult
8	93761	Bottom frame 36 in x 36 in	Consult
9	14742	Hex head bolt, 3/8-16 NC x 1	Consult
10	14649	Hex jam nut, 3/8-16 NC	Consult
11	74585	Bench scale foot	Consult
12	15051	Set screw, 1/2-20 NF x 3/4	Consult
13	15410	Spirit level bubble, plastic	Consult

(See Diagram BenchMark-HD)



BenchMark-HD

Bench Scales



Part Number/Price

Part#	Description	Price
S-YB & S-TL		
85532	Load cell, S-YB 150 lb/60 kg scale	Consult
85303	Load cell, S-YB 300 lb/150 kg scale	Consult
85533	Load cell, S-YB 600 lb/300 kg scale	Consult
75017	Support, foot platter S-SL, S-UL, S-TL	Consult
S-YC		
161475	Platter, 2.5 - 25 kg	Consult
161476	Platter, 500 g	Consult
161477	Platter, 1 kg	Consult
109250	Feet	Consult
109251	Nut for foot	Consult
163481	Cable assembly	Consult
161471	Load cell 500 g	Consult
161472	Load cell 1 kg	Consult
161473	Load cell 2.5 kg	Consult
90154	Load cell 5 kg	Consult
161474	Load cell 10 kg	Consult
90156	Load cell 25 kg	Consult
S-XL & S-XD		
65946	Load cell, single/dual type 25 lb capacity	Consult
65945	Load cell, single type 50 lb capacity	Consult
75012	Spider 25 lb 192D	Consult
73459	Spider 5/10/25 lb	Consult
73445	Spider 50/100 lb	Consult
65955	Platter 1 lb single	Consult
65958	Platter 10 lb and up	Consult
65959	Platter 25 lb 192D	Consult
73446	Platter support DC-190	Consult
74969	Platter support type B, DC-190	Consult
65966	Platform feet	Consult

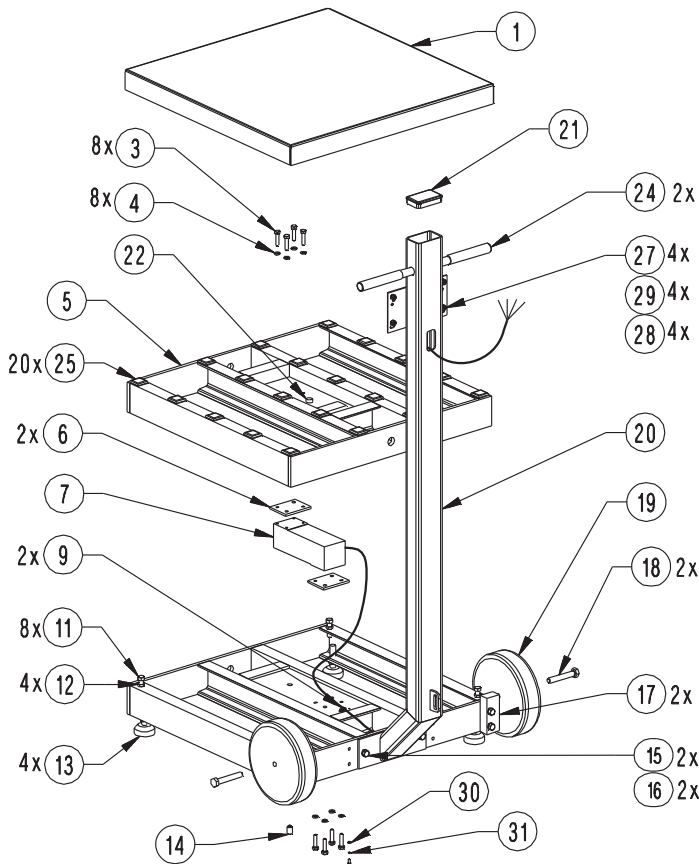
BENCH SCALES
BenchMark® HDP
 Wheel Model



Part Number/Price

Ref#	Part#	Description	Price
1	94351	Top cover,	Consult
3	49788	Screw, cap, 5/16-18 NC x 1 1/4, hex	Consult
4	15153	Washer, lock, 5/16 regular,	Consult
6	87358	Shim, 3/16 x 2-3/8 x 3 SST	Consult
7	41024	Load cell, RL1260-250 lb scale	Consult
7	41026	Load cell, RL1260-500 lb scale	Consult
9	14858	Screw, Mach, 8-32 NC x 5/16, MS	Consult
11	14745	Bolt, 3/8-16 NC x 1/2 full	Consult
12	14649	Nut, Jam 3/8-16 NC hex	Consult
13	74585	Foot, floor scale rigid	Consult
14	15051	Screw, set 1/2-20 NF x 3/4	Consult
15	14742	Hex head bolt, 3/8-16 NC x 1	Consult
16	15159	Washer, lock 3/8 regular	Consult
17	94645	Axle support	Consult
18	14757	Bolt, 1/2-13 NC x 3 hex head	Consult
19	94268	Wheel, 8 in diameter x 1/2	Consult
20	94646	Column WLDT	Consult
21	94264	Plug, cap rectangular tube	Consult
22	15410	Spirit level bubble, plastic	Consult
24	41266	Grip, handle 3/4 I.D.	Consult
25	26407	Bumper, self adhesive	Consult
27	14955	Screw, cap 1/4-20 NC x 1/2	Consult
28	15147	Washer, lock 1/4 regular	Consult
29	14641	Nut, 1/4-20 NC hex steel	Consult
30	15138	Washer, plain STD no 8 SST	Consult
31	15134	Washer, lock no 8 type A	Consult

(See Diagram BenchMark-HDP Wheel Model)



BenchMark-HDP Wheel Model

Bench Scales

BENCH SCALES

BenchMark® HDP
Caster Model

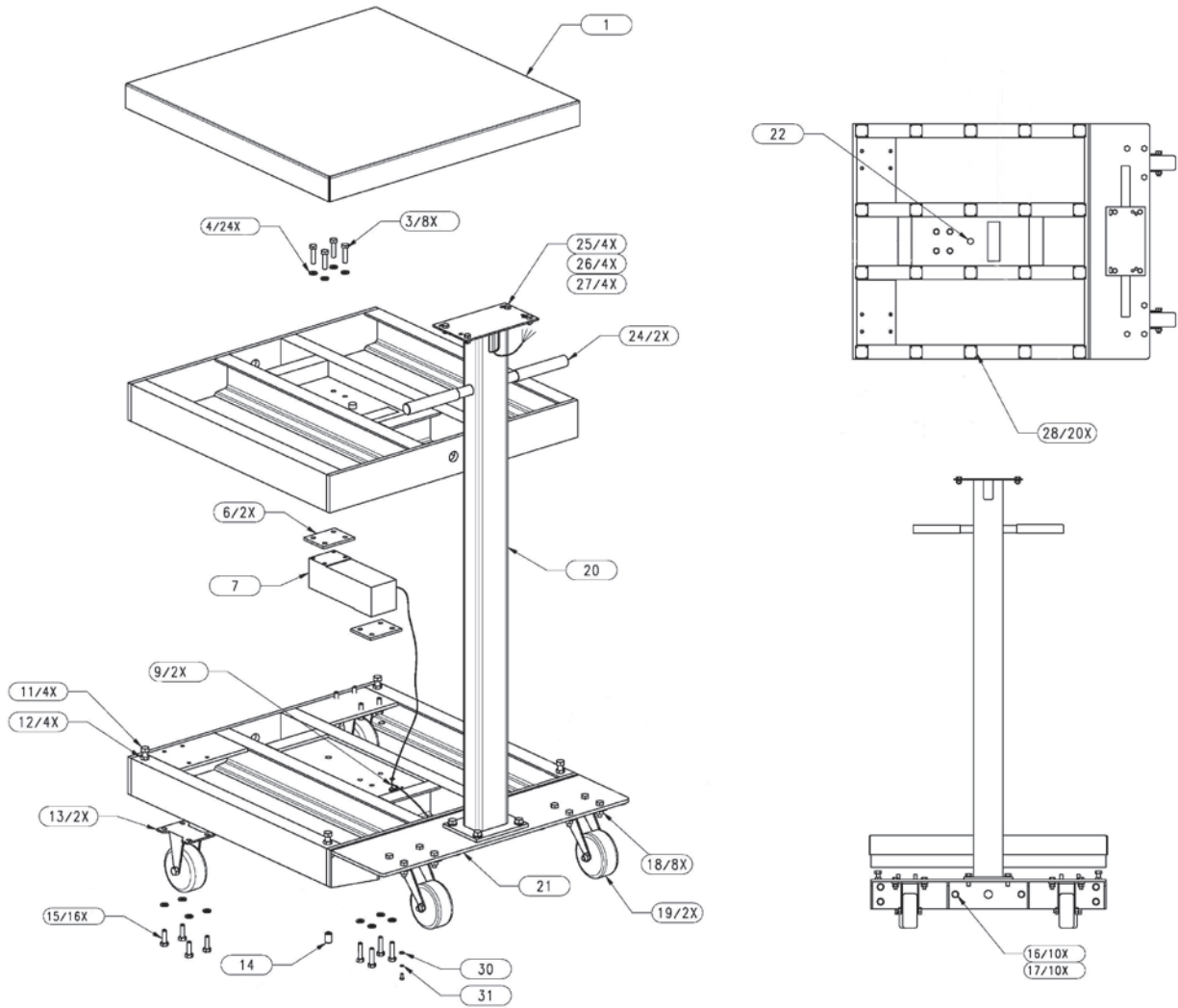


Part Number/Price

Ref#	Part#	Description	Price
1	94351	Top cover	Consult
3	49788	Screw, cap, 5/16-18 NC x 1 1/4, hex	Consult
4	15153	Washer, lock, 5/16 regular,	Consult
6	87358	Shim, 3/16 x 2-3/8 x 3 SST	Consult
7	41024	Load cell, RL1260-250 lb scale	Consult
7	41026	Load cell, RL1260-500 lb scale	Consult
9	14858	Screw, Mach, 8-32 NC x 5/16, MS	Consult
11	14745	Bolt, 3/8-16 NC x 1/2 full	Consult
12	14649	Nut, Jam 3/8-16 NC hex	Consult
13	94267	Rigid caster	Consult
14	15051	Screw, set 1/2-20 NF x 3/4	Consult
15	26668	Screw, cap, 5/16-18 NC x 3/4, hex	Consult
16	15159	Washer, lock 3/8 regular	Consult
17	14742	Hex head bolt, 3/8-16 NC x 1	Consult
18	14647	Nut	Consult
19	94266	Swivel caster	Consult
20	98520	Column WLDT	Consult
21	98516	Caster support WLDT	Consult
22	15410	Spirit level bubble, plastic	Consult
24	41266	Grip, handle 3/4 I.D.	Consult
25	14955	Screw cap.	Consult
26	15147	Washer, lock 1/4 regular	Consult
27	14641	Nut	Consult
28	26407	Bumper, self adhesive	Consult
30	15138	Washer, plain STD no 8 SST	Consult
31	15134	Washer, lock no. 8 type A	Consult

(See Diagram BenchMark-HDP Caster Model)

BENCH SCALES
BenchMark® HDP
 Caster Model



BenchMark-HDP Caster Model

Bench Scales

BENCH SCALES

BenchPro™ BP-P, BP-S, BP-R

Caster Model



BenchPro BP-P



BenchPro BP-S



BenchPro BP-R

Part Number/Price

Part#	Description	Price
174782	Power supply	Consult
179191	Primary operator display	Consult
174786	USB cable	Consult
197759	10 ft cable, RS232 DB9M to DB9F	Consult
BP-S		
196554	Main PCB, BP-S/BP-SB/BP-SR Shipping	Consult
174879	Model BP 1214-75S	Consult
179680	Load cell for PN 174879	Consult
179185	Scale foot for PN 174879	Consult
182993	Model BP 1216-75S	Consult
91731	Load cell for 182993	Consult
182391	Model BP 1818-50S	Consult
91684	Load cell for 182391	Consult
182378	Model BP 1818-75S	Consult
91686	Load cell for PN 182378	Consult
182382	Model BP 1818-150S	Consult
182395	Model BP 2020-150S	Consult
182399	Model BP 2424-150S	Consult
91688	Load cell for PN 182382, 182395, 182399	Consult
19141	Scale foot for PN 182993, 182391, 182378, 182382, 182395, 182399	Consult
182414	PCB with shipping software	Consult
214462	Screw, Seal, SS-2320 (12 x 14 in scale only)	Consult
BP-SB		
196554	Main PCB, BP-S/BP-SB/BP-SR Shipping	Consult
182995	Model BP 1216-75S	Consult
91731	Load cell for 182995	Consult
182393	Model BP 1818-50S	Consult
91684	Load cell for 182393	Consult
182380	Model BP 1818-75S	Consult
91686	Load cell for PN 182380	Consult
182384	Model BP 1818-150S	Consult
182397	Model BP 2020-150S	Consult
182401	Model BP 2424-150S	Consult
91688	Load cell for PN 182384, 182397, 182401	Consult
19141	Foot, Bench Scale 3/8-16NC	Consult
182414	PCB with shipping software	Consult
BP-SR		
196554	Main PCB, BP-S/BP-SB/BP-SR Shipping	Consult
182996	Model BP 1216-75S	Consult
91731	Load cell for 182996	Consult
182394	Model BP 1818-50S	Consult
91684	Load cell for 182394	Consult
182381	Model BP 1818-75S	Consult
91686	Load cell for PN 182381	Consult
182386	Model BP 1818-150S	Consult
182398	Model BP 2020-150S	Consult
182402	Model BP 2424-150S	Consult
91688	Load cell for PN 182386, 182398, 182402	Consult
19141	Foot, Bench Scale 3/8-16NC	Consult
182414	PCB with shipping software	Consult
BP-P		
179648	Main PCB, BP-P Postal	Consult
187832	Model BP-P 1214-35 kg capacity triple range	Consult
195741	Model BP-P 1214-35 kg capacity triple interval	Consult
192361	Model BP-P 1214-70 lb capacity dual range	Consult
195742	Model BP-P 1214-70 lb capacity dual interval	Consult
187833	Load cell	Consult
179185	Scale foot	Consult
182416	PCB with postal software	Consult
214462	Screw, Seal, SS-2320	Consult
BP-R		
179651	Main PCB, BP-R Retail	Consult

Part Number/Price

Part#	Description	Price
116184	Platter	Consult
109250	Foot (does not include foot nut)	Consult
109251	Foot nut	Consult
116319	Sealing screw	Consult
117229	RLP-S6, 6 lb overlay	Consult
117230	RLP-S15, 15 lb overlay	Consult
117231	RLP-S30, 30 lb overlay	Consult
117232	RLP-S60, 60 lb overlay	Consult
129827	RLP-SM3, 3 kg overlay	Consult
129828	RLP-SM6, 6 kg overlay	Consult
129829	RLP-SM15, 15 kg overlay	Consult
129830	RLP-SM30, 30 kg overlay	Consult
108518	AC adapter 110-240 US plug	Consult
129953	AC adapter 110-240 Euro plug	Consult
117962	Battery cover	Consult
108516	Rechargeable battery, 6V 5AH	Consult
117963	AC outlet cover	Consult
154738	Adhesive cover sheet	Consult



BENCH SCALES

DIGI® DS-160



Part Number/Price

Part#	Description	Price
74936	Filter, DS-160	Consult
74935	Key sheet, lb DS-160	Consult
85267	Main board, DS-160	Consult
74512	Tube, display LCD D120	Consult
77370	Power supply 120VAC 15VDC 300mA	Consult
74894	Key switch	Consult
74897	Key switch pressure plate	Consult

For scale replacement parts see DIGI S-YB base on page 60

BENCH SCALES
DIGI® DS-520

Part Number/Price

Part#	Description	Price
73618	Battery holder D1-10	Consult
74894	Key switch DS-520	Consult
74888	Pre-amplifier board	Consult
74890	Key sheet cap, 160 lb DS-520	Consult
74891	Key sheet cap, 150 lb DS-520	Consult
74892	Key sheet cap, 300 lb DS-520	Consult
74987	Level bubble	Consult
75180	Platform bracket	Consult
73382	Optional AC power supply	Consult
74897	Key switch pressure plate	Consult

For scale replacement parts please see S-YE base on page 60



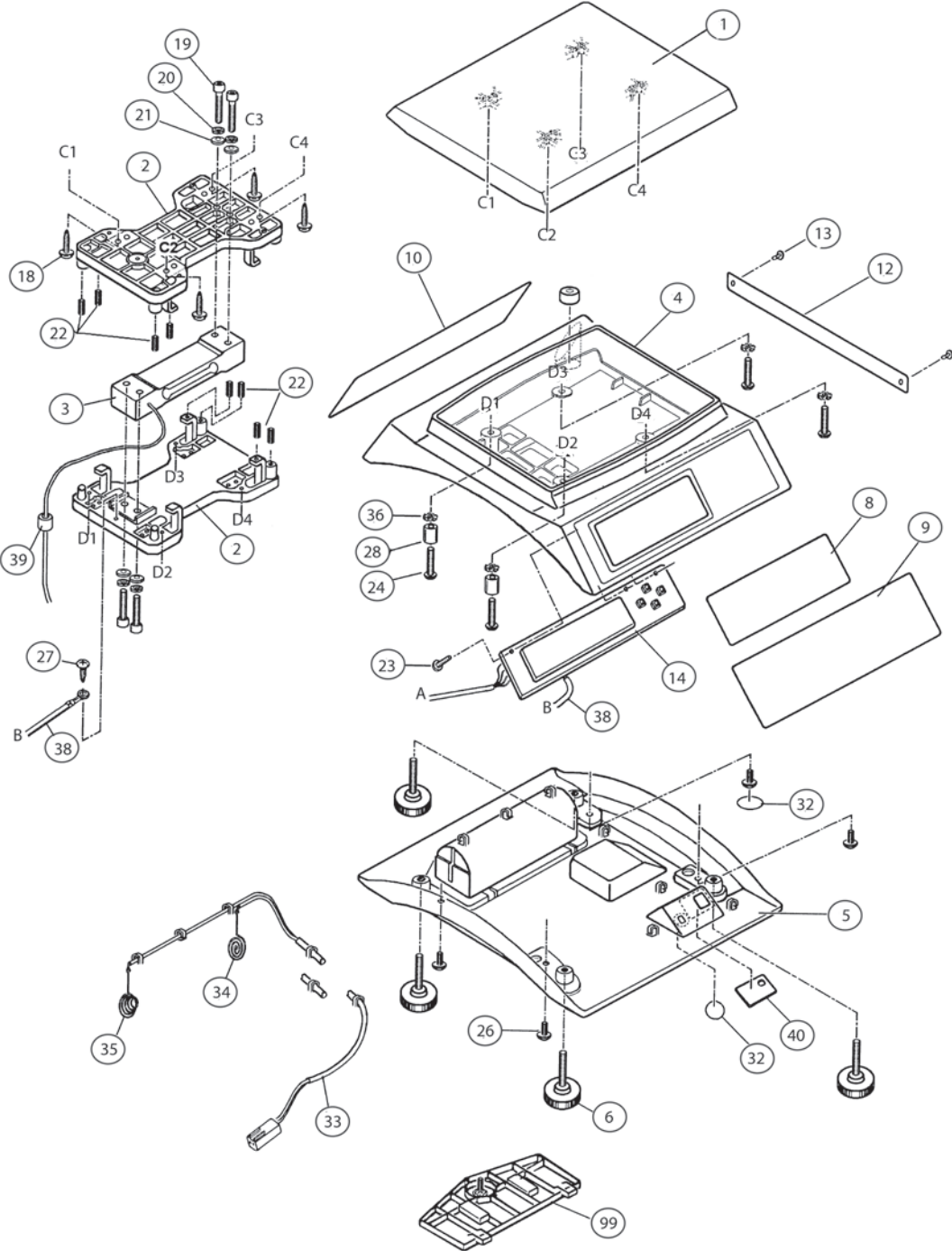
Bench Scales



Part Number/Price

Ref#	Part#	Description	Price
IPC 6 lb & 15 lb Single Display			
1	78916	Platter, 900-0272-28	Consult
2	Consult	Plate support, 900-0268-22	Consult
3	87788	15 lb load cell (CZL-6D-C3-5 kg-1000), 900-1520-07	Consult
4	Consult	Case, 900-0271-51	Consult
5	Consult	Base, 900-0293-44	Consult
6	79432	Foot level, 900-0025-15	Consult
8	87786	Lucent Plate, 900-0367-00	Consult
9	78912	6 lb sheet display front, 900-1360-17	Consult
9	78913	15 lb sheet display front, 900-1359-12	Consult
10	87791	Sheet display rear, 900-1357-06	Consult
12	Consult	Name plate specification, 900-0597-00	Consult
13	Consult	Push rivet, 900-1302-01	Consult
14	87784	PWB PS-005A, 900-0744-17	Consult
15	44425	Level unit, 900-0223-07	Consult
28	Consult	Sleeve, 900-1384-07	Consult
33	Consult	Battery harness, 900-1074-11	Consult
34	Consult	Spring 1, 900-1013-05	Consult
35	Consult	Spring 2, 900-1014-18	Consult
38	Consult	Harness S1:GND, 900-0495-12	Consult
39	Consult	Filter, 900-1655-06	Consult
40	Consult	Protect sheet, 900-1309-16	Consult
99	Consult	Cover battery AS, 900-0782-02	Consult
IPC 6 lb & 15 lb Dual Display			
1	78916	Platter, 900-0272-28	Consult
2	Consult	Plate support, 900-0272-28	Consult
3	87788	15 lb load cell (CZL-6D-C3-5 kg-1000), 900-1520-07	Consult
4	Consult	Case, 900-0271-51	Consult
5	Consult	Base, 900-0293-44	Consult
6	79432	Foot level, 900-0025-15	Consult
8	87786	Lucent plate, 900-0367-00	Consult
9	78912	6 lb sheet display front, 900-1360-17	Consult
9	78913	15 lb sheet display front, 900-1359-12	Consult
10	87798	6 lb sheet display rear, 900-1358-00	Consult
10	87799	15 lb sheet display rear, 900-1356-02	Consult
12	Consult	Name plate specification, 900-0597-00	Consult
13	Consult	Push rivet, 900-1302-01	Consult
14	87784	PWB PS-005A, 900-0744-47	Consult
15	44425	Level unit, 900-0223-07	Consult
16	87785	PWB PS-006, customer side (not shown) 900-1156-04	Consult
17	Consult	6 lb display harness, 900-1297-15 (not shown)	Consult
17	Consult	15 lb display harness, 900-1075-33 (not shown)	Consult
28	Consult	Sleeve, 900-1384-07	Consult
33	Consult	Battery harness, 900-1074-11	Consult
34	Consult	Spring 1, 900-1013-05	Consult
35	Consult	Spring 2, 900-1014-18	Consult
38	Consult	Harness S1 GND, 900-1655-06	Consult
39	Consult	Filter, 900-1655-06	Consult
40	Consult	Protect sheet, 900-1309-16	Consult
99	Consult	Cover battery AS, 900-0782-02	Consult

(See Diagram IPC-6 lb & 15 lb - Single/Dual)



IPC-6lb & 15lb-Single/Dual

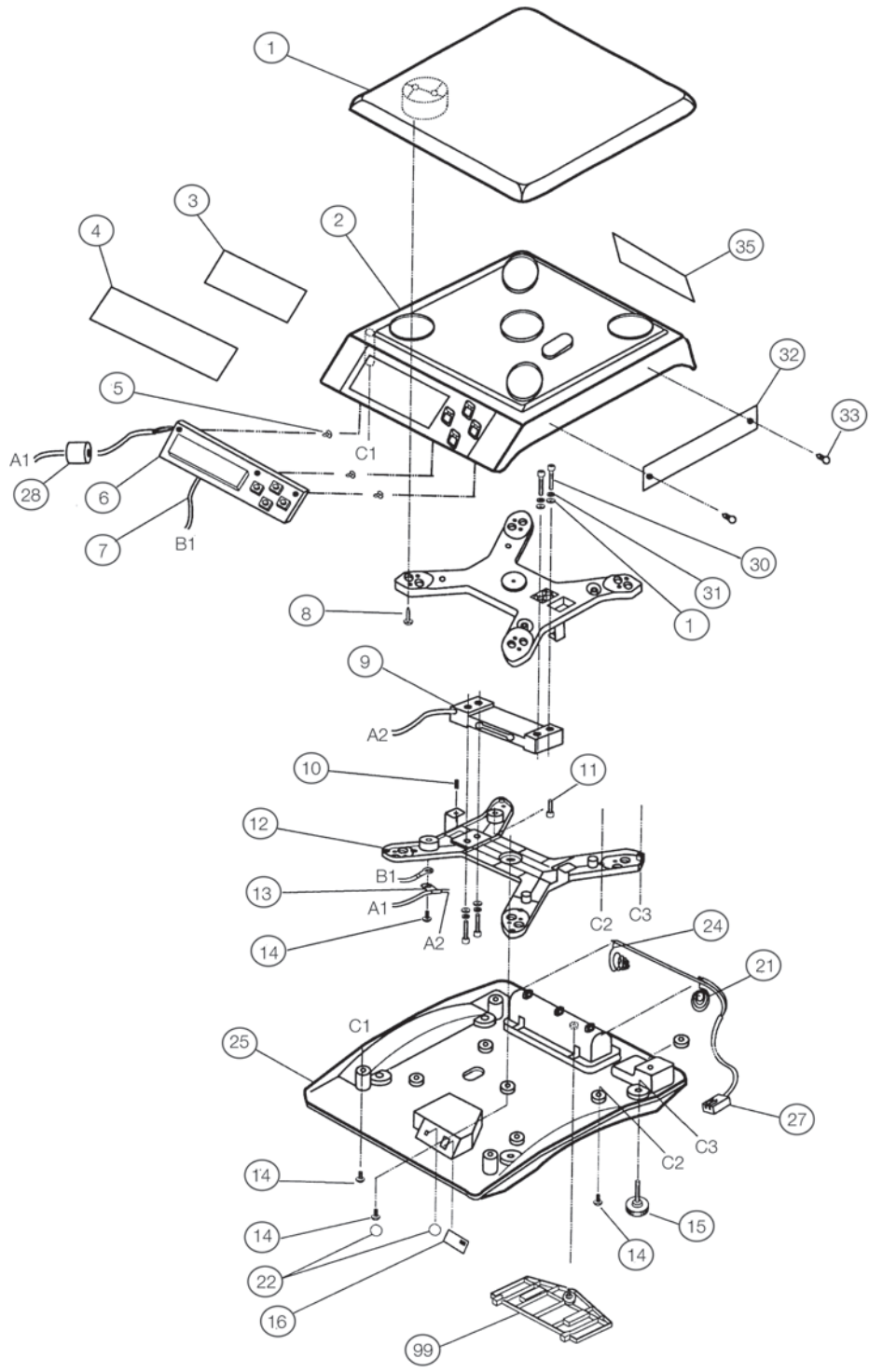
Bench Scales



Part Number/Price

Ref#	Part#	Description	Price
IPC 30 lb & 60 lb Single Display			
1	78917	Platter, 900-0349-20 (Obsolete)	Consult
2	Consult	Case, 900-0408-45	Consult
3	87786	Lucent plate, 900-0367-00	Consult
4	78914	30 lb sheet display front, 900-1314-15	Consult
4	78915	60 lb sheet display front, 900-1361-11	Consult
6	87784	PWB PS-005A, 900-0744-47	Consult
7	Consult	Harness S1 GND, 900-0495-12	Consult
9	87789	30 lb load cell (CZL-6D-C3-25 kg-100) 900-1521-01	Consult
9	87790	60 lb load cell (CZL-6D-C3-25 kg-100) 900-1522-04	Consult
12	Consult	Plate, support, 9000409-30	Consult
13	Consult	Clamp, 900-1194-06	Consult
15	79432	Foot, level, 900-0025-15	Consult
21	Consult	Spring 1, 900-1013-05	Consult
23	44425	Level unit, 900-0223-07	Consult
24	Consult	Spring 2, 900-1014-18	Consult
25	Consult	Base, 900-0410-34	Consult
27	Consult	Battery harness, 900-1298-00	Consult
28	Consult	Filter core, 900-1655-06	Consult
32	Consult	Name plate: specification, 900-0599-07	Consult
33	Consult	Push rivet, 900-1302-01	Consult
35	87791	Sheet display rear, 900-1357-06	Consult
99	Consult	Cover battery AS, 900-0782-02	Consult
IPC 30 lb & 60 lb Dual Display			
1	78917	Platter, 900-0349-20 (Obsolete)	Consult
2	Consult	Case, 900-0408-45	Consult
3	87786	Lucent plate, 900-0367-00	Consult
4	78914	30 lb sheet display front, 900-1314-15	Consult
4	78915	60 lb sheet display front, 900-1361-11	Consult
6	87784	PWB PS-005A, 900-0744-47	Consult
7	Consult	Harness S1 GND, 900-0495-12	Consult
9	87789	30 lb load cell (CZL-6D-C3-25 kg-100) 900-1521-01	Consult
9	87790	60 lb load cell (CZL-6D-C3-25 kg-100) 900-1522-04	Consult
12	Consult	Plate support, 9000409-30	Consult
13	Consult	Clamp, 900-1194-06	Consult
15	79432	Foot level, 900-0025-15	Consult
21	Consult	Spring 1, 900-1013-05	Consult
23	44425	Level unit, 900-0223-07	Consult
24	Consult	Spring 2, 900-1014-18	Consult
25	Consult	Base, 900-0410-34	Consult
26	Consult	30 lb display harness, 900-1075-33	Consult
26	Consult	60 lb display harness, 900-1298-15	Consult
27	Consult	Battery harness, 900-1298-00	Consult
28	Consult	Filter core, 900-1655-06	Consult
32	Consult	Name plate specification, 900-0599-07	Consult
33	Consult	Push rivet, 900-1302-01	Consult
34	87785	PWB PS-006, customer side 900-1156-04 (not shown)	Consult
35	87800	30 lb sheet display: rear, 900-1368-07	Consult
35	87801	60 lb sheet display: rear, 900-1369-01	Consult
99	Consult	Cover battery AS, 900-0782-02	Consult

(See Diagram IPC-30 lb & 60 lb - Single/Dual)



IPC-30 lb & 60 lb-Single/Dual

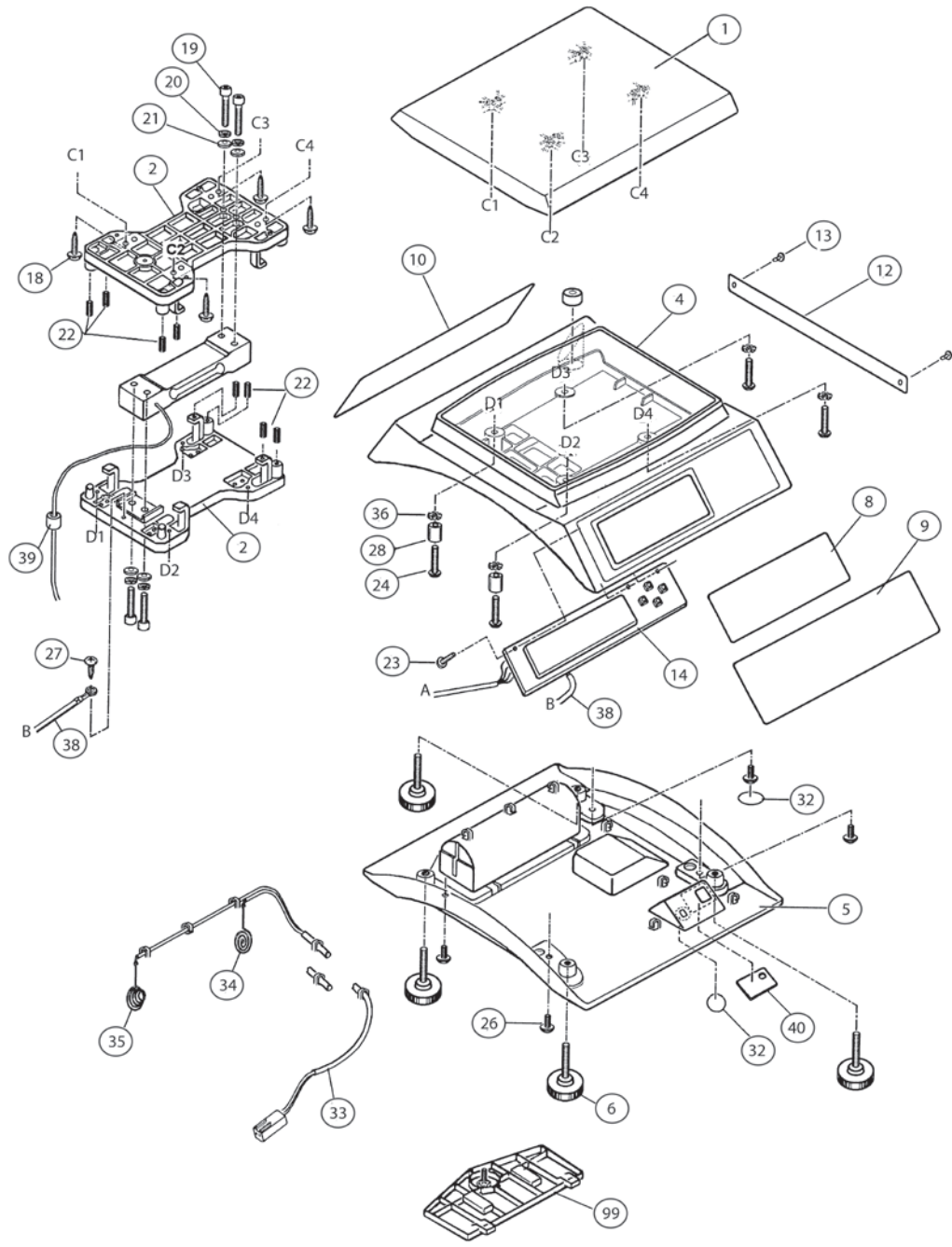
Bench Scales



Part Number/Price

Ref#	Part#	Description	Price
IPC 100 oz Single Display			
1	78916	Platter, 900-0272-28	Consult
2	Consult	Plate support, 900-0268-22	Consult
4	Consult	Case, 900-0271-51	Consult
5	Consult	Base, 900-0293-35	Consult
6	79432	Foot level, 900-0025-15	Consult
8	87786	Lucent plate, 900-0367-00	Consult
9	78911	Sheet display front	Consult
10	87791	Sheet display rear	Consult
12	Consult	Name plate specification, 900-0597-00	Consult
13	Consult	Push rivet, 900-1302-01	Consult
14	87784	PWB PS-005A, 900-0744-47	Consult
15	44425	Level unit, 900-0223-07	Consult
28	Consult	Sleeve, 900-1384-07	Consult
33	Consult	Battery harness, 900-1074-11	Consult
34	Consult	Spring 1, 900-1013-05	Consult
35	Consult	Spring 2, 900-1014-18	Consult
38	Consult	Harness S1 GND, 900-0495-12	Consult
39	Consult	Filter, 900-1655-06	Consult
40	Consult	Protect sheet, 900-1309-16	Consult
99	Consult	Cover battery AS, 900-0782-02	Consult
IPC 100 oz Dual Display			
1	78916	Platter, 900-0272-28	Consult
2	Consult	Plate support, 900-0268-31	Consult
4	Consult	Case, 900-0271-51	Consult
5	Consult	Base, 900-0293-44	Consult
6	79432	Foot level, 900-0025-15	Consult
8	87786	Lucent plate, 900-0367-00	Consult
9	78911	Sheet display front, 900-0577-14	Consult
12	Consult	Nameplate specification, 900-0597-00	Consult
13	Consult	Push rivet, 900-1302-01	Consult
14	87784	PWB PS-005A, 900-0744-56	Consult
15	44425	Level unit, 900-0223-07	Consult
16	87785	PWB PS-006, 900-1156-04	Consult
17	Consult	Display harness, 900-1298-00	Consult
28	Consult	Sleeve, 900-1384-07	Consult
33	Consult	Battery harness, 900-1298-00	Consult
34	Consult	Spring 1, 900-1013-05	Consult
35	Consult	Spring 2, 900-1014-18	Consult
38	Consult	Harness S1 GND, 900-0495-12	Consult
39	Consult	Filter, 900-1655-06	Consult
40	Consult	Protect sheet, 900-1309-16	Consult
99	Consult	Cover, battery AS, 900-0782-02	Consult

(See Diagram IPC-100 oz - Single/Dual)



IPC-100 oz-Single/Dual

Bench Scales

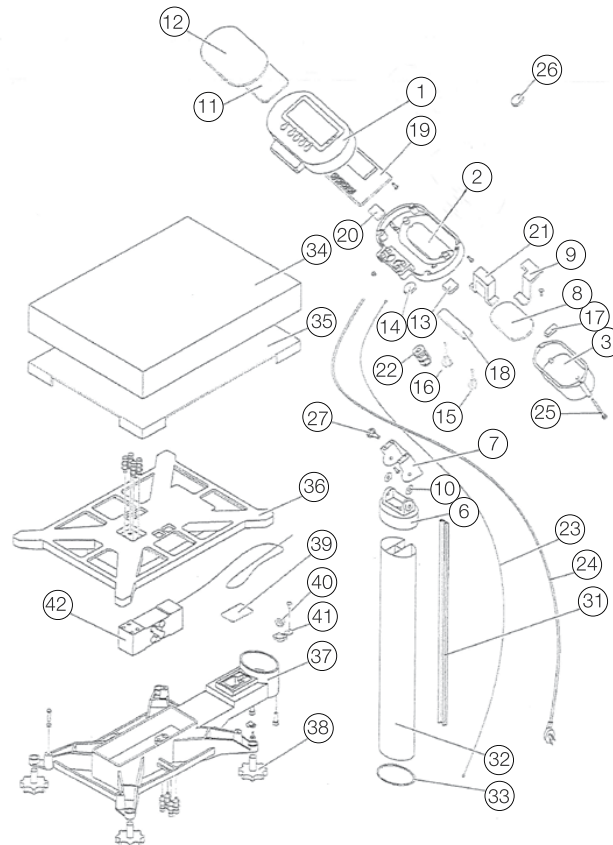
BENCH SCALES

Ishida iGX & iGB



Part Number/Price

Ref #	Part #	Description	Price
1	103493	Front case, iGB	Consult
1	108630	Front case iGX	Consult
2	103494	Rear battery cover, iGB	Consult
2	108632	Rear battery case iGX	Consult
3	103495	Battery case, iGB	Consult
3	108635	Battery cover iGX	Consult
6	103496	Pole top bracket, iGX/iGB	Consult
7	103497	Indicator bracket, iGX/iGB	Consult
10	103498	Rubber pole washer, iGX/iGB	Consult
11	91798	Display filter iGX/iGB	Consult
12	91794	Display sheet 150 lb, iGB	Consult
12	91795	Display sheet 300 lb, iGB	Consult
12	91796	Display sheet 150 lb, iGX	Consult
12	91797	Display sheet 300 lb, iGX	Consult
14	103499	Rear case sheet cover, iGB only	Consult
19	91799	CPU board, iGB	Consult
19	91800	CPU board, iGX	Consult
20	91801	Battery board, iGB only	Consult
21	91802	Transformer, iGX	Consult
25	179638	Thumb screw, knurled head	Consult
32	182364	Pole stand, iGB iGX scale pole Ishida	Consult
34	91804	Platter, iGX/iGB	Consult
38	91805	Foot, iGX/iGB	Consult
42	91808	Load cell, iGX/iGB 150 lb scale	Consult
42	91809	Load cell, iGX/iGB 300 lb scale	Consult
	75473	AC adaptor, iGB	Consult



© 2021 Rice Lake Weighing Systems 01/19 Prices and specifications subject to change without notice. Visit ricelake.com for current prices.

BenchMark® Mobile Carts



Part Number/Price

Ref #	Part #	Description	Price
MCT-10 Mild Steel			
3	190405	Caster 4 in rigid SST	Consult
4	190404	Caster 4 in swivel with brake SST	Consult
5	15148	Washer, locking	Consult
6	15153	Lock washer, 5/16 regular	Consult
7	14646	Lock nut 5/16-18NC	Consult
8	127004	Cap screw 5/16-18 x 3/4 hex head	Consult
9	191605	Indicator stand, 18 in SST	
MCT-10 Stainless Steel			
3	190405	Caster 4 in rigid SST	Consult
4	190404	Caster 4 in swivel with brake SST	Consult
5	170653	Cap screw 5/16-18NC x 2 hex head	Consult
6	15154	Lock washer 5/16 regular	Consult
7	128101	Nut, hex 5/16-18 SST	Consult
8	26669	Cap screw 5/16-18 NC x 3/4 hex SST	Consult
9	191605	Indicator stand, 18 in SST	

Checkweighers

TABLE OF CONTENTS

IQ PLUS® 2100 DIGITAL BENCH SCALE	58
<i>2100 Base Assembly</i>	
IQ PLUS® 2100/2100SL DIGITAL BENCH SCALE	59
<i>Tilt Stand Assembly</i>	
IQ PLUS® 2100/2100SL DIGITAL BENCH SCALE	60
<i>Attachment Bracket Assembly</i>	
IQ PLUS® 2100/2100SL DIGITAL BENCH SCALE	61
<i>Column Assembly</i>	
IQ PLUS® 2100/2100SL AND IQ PLUS INDICATOR	62
<i>Backplate & Tilt Stand Assembly</i>	
IQ PLUS® 2100/2100SL AND IQ PLUS INDICATOR	63
<i>CPU Board and Enclosure</i>	
CW-90/CW-90X	64
SURVIVOR® CW-80	66
<i>Indicator & Column Assemblies</i>	
SURVIVOR® CW-80	68
<i>10 x 10 in Base Assembly</i>	
SURVIVOR® CW-80	70
<i>12 x 12 in Base Assembly</i>	
SURVIVOR® CW-80	72
<i>18 x 18 in, 18 x 24 in, 24 x 24 in Base Assembly</i>	

CHECKWEIGHERS

IQ plus® 2100 Digital Bench Scale

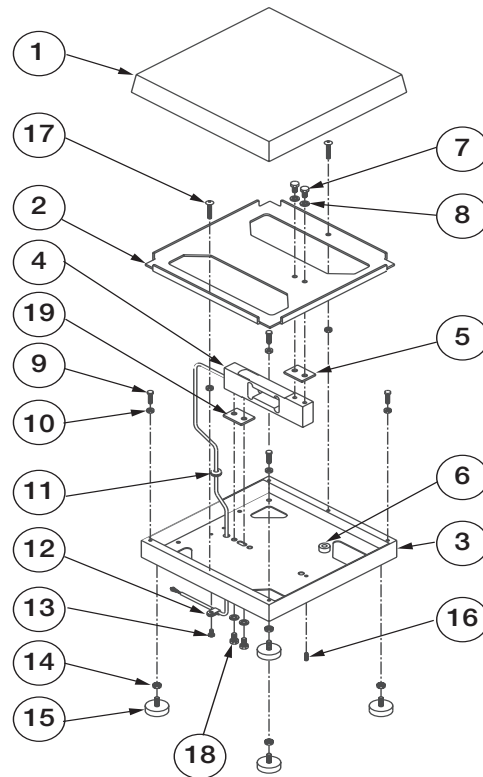
2100 Base Assembly



Part Number/Price

Ref#	Part#	Description	Price
1	51332	Platter, 10 in x 10 in	Consult
1	105457	Platter, 12 in x 12 in	Consult
2	50880	Spider plate, 10 in x 10 in	Consult
2	51335	Spider plate, 12 in x 12 in	Consult
3	50881	Base, 10 in x 10 in (5 lb model)	Consult
3	63233	Base, 10 in x 10 in (10 & 25 lb models)	Consult
3	63430	Base, 12 in x 12 in	Consult
4	40957	Load cell, RL 1042, 10 in x 10 in (5 lb model)	Consult
4	40959	Load cell, RL 1042, 10 in x 10 in (10 lb model)	Consult
4	40961	Load cell, RL 1042, 10 in x 10 in (25 lb model)	Consult
4	40962	Load cell, RL 1042, 12 in x 12 in (50 lb model)	Consult
4	40964	Load cell, RL 1042, 12 in x 12 in (100 lb model)	Consult
5	35082	Upper load cell shim, 10 in x 10 in	Consult
5	52383	Upper load cell shim, 12 in x 12 in	Consult
6	15410	Bubble level	Consult
7	21948	Cap screws, 1/4-20 NC x 5/8	Consult
8	15148	Lock washers, 1/4	Consult
9	52341	Overload protection cap screws, 10-32 NF x 3/4	Consult
10	39025	Nuts, 10-32 NF hex, 18-8	Consult
11	15408	Rubber grommet, 3/16 ID	Consult
12	15409	Cable clamp, No. 8	Consult
13	14862	Machine screw, 8-32 NC x 3/8	Consult
14	14645	Jam nuts, 1/4-20 NC hex, SS	Consult
15	35128	Scale feet, 1/4-20 NC x 1 3/16	Consult
17	63170	Lift-up protection machine screws, 10-32 NF x 1 1/4	Consult
18	14963	Cap screws, 1/4-20 NC x 3/4	Consult
19	52383	Lower load cell shim	Consult

For IQ plus 2100SL base assembly, please refer to page 22 (Benchmark SL Series)



IQ plus 2100-A

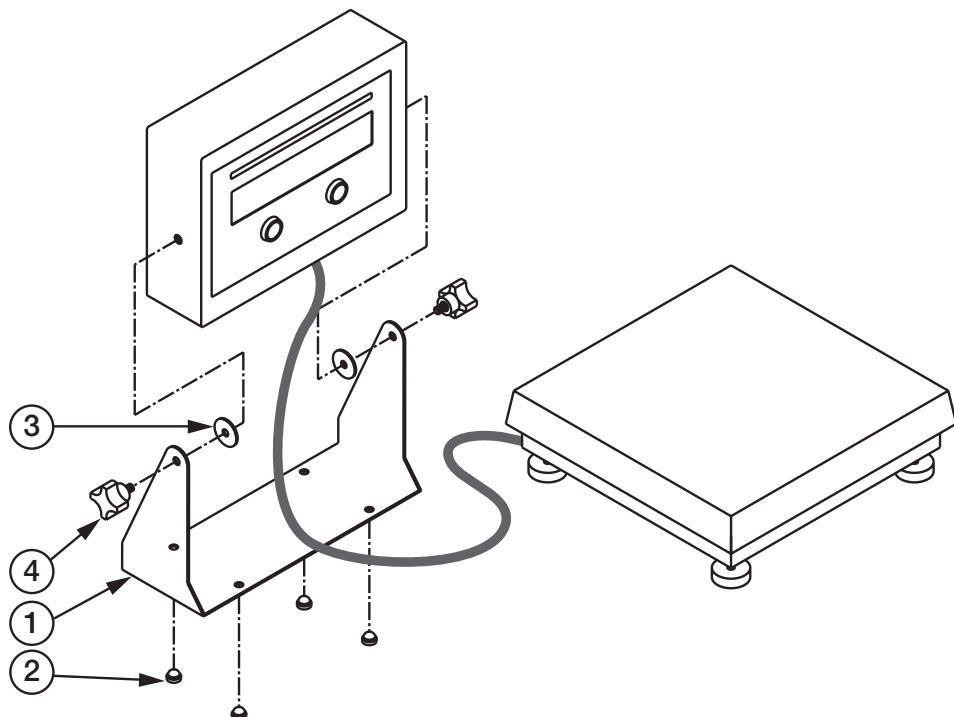
IQ plus® 2100/2100SL Digital Bench Scale

Tilt Stand Assembly

Part Number/Price

Ref#	Part#	Description	Price
1	29635	Tilt stand	Consult
2	42149	Tilt stand feet	Consult
3	15144	Nylon washers, 1/4 x 1 x 1/16	Consult
4	68403	Wing knobs	Consult

(See Diagram IQ plus 2100-B)



IQ plus 2100-B

Checkweighers

CHECKWEIGHERS

IQ plus® 2100/2100SL Digital Bench Scale

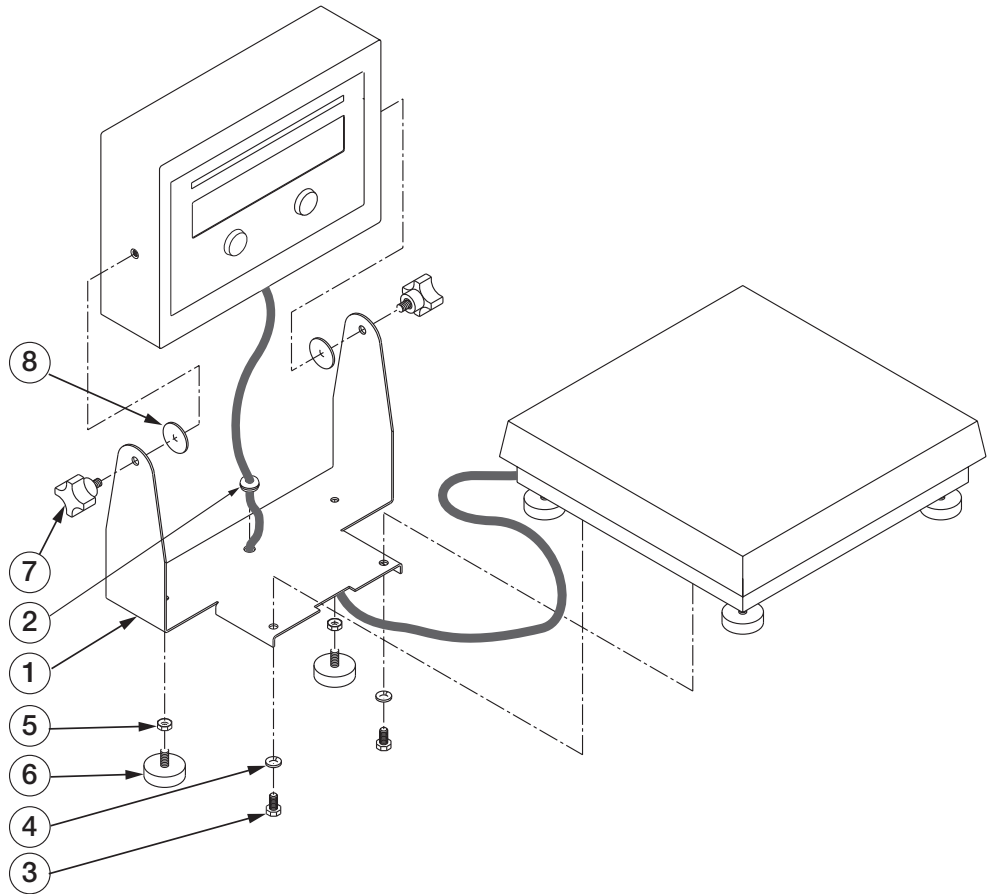
Attachment Bracket Assembly



Part Number/Price

Ref#	Part#	Description	Price
1	50879	Attachment bracket	Consult
2	15408	Rubber grommet, 3/16 ID	Consult
3	14956	Cap screws, 1/4-20NC x 1/2	Consult
4	15148	Lock washers, 1/4	Consult
5	14645	Jam nuts, 1/4-20NC hex, SS	Consult
6	35128	Bench scale feet, 1/4-20NC	Consult
7	68403	Wing knobs	Consult
8	15144	Nylon washers, 1/4 x 1 x 1/16	Consult

(See Diagram IQ plus 2100-C)



IQ plus 2100-C

Checkweighers

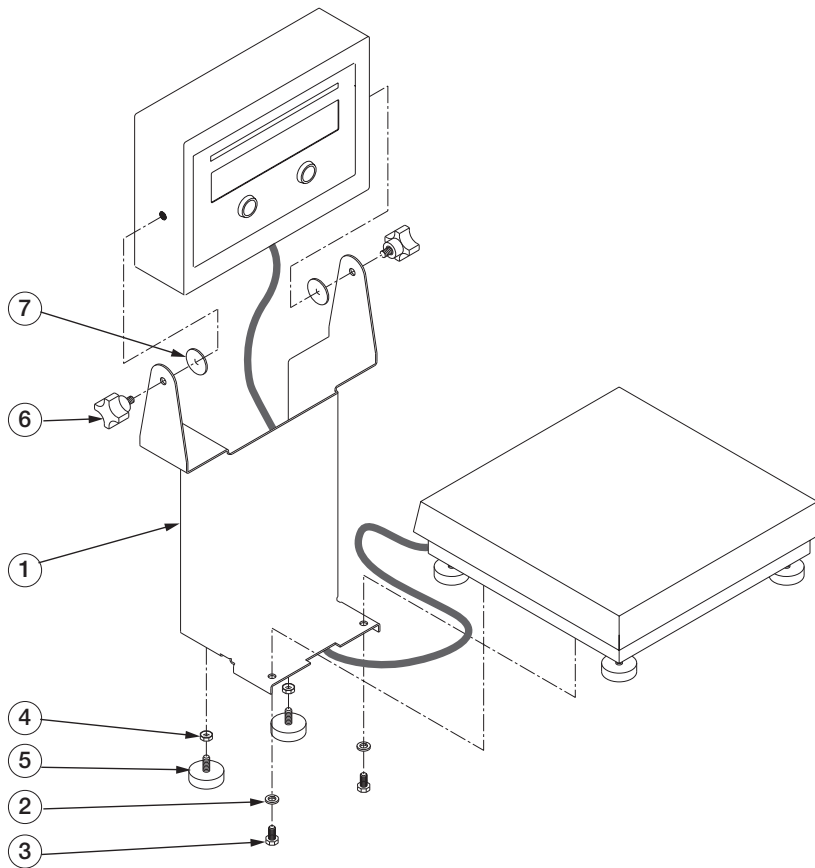
IQ plus® 2100/2100SL Digital Bench Scale

Column Assembly

Part Number/Price

Ref#	Part#	Description	Price
1	105453	12 in column	Consult
2	15148	Lock washers, 1/4	Consult
3	14956	Cap screws, 1/4-20 NC x 1/2	Consult
4	14645	Jam nuts, 1/4-20 NC hex, SS	Consult
5	35128	Bench scale feet, 1/4-20 NC	Consult
6	68403	Wing knobs	Consult
7	15144	Nylon washers, 1/4 S 1 x 1/16	Consult

(See Diagram IQ plus 2100-D)



IQ plus 2100-D



IQ plus® 2100/2100SL and IQ plus Indicator

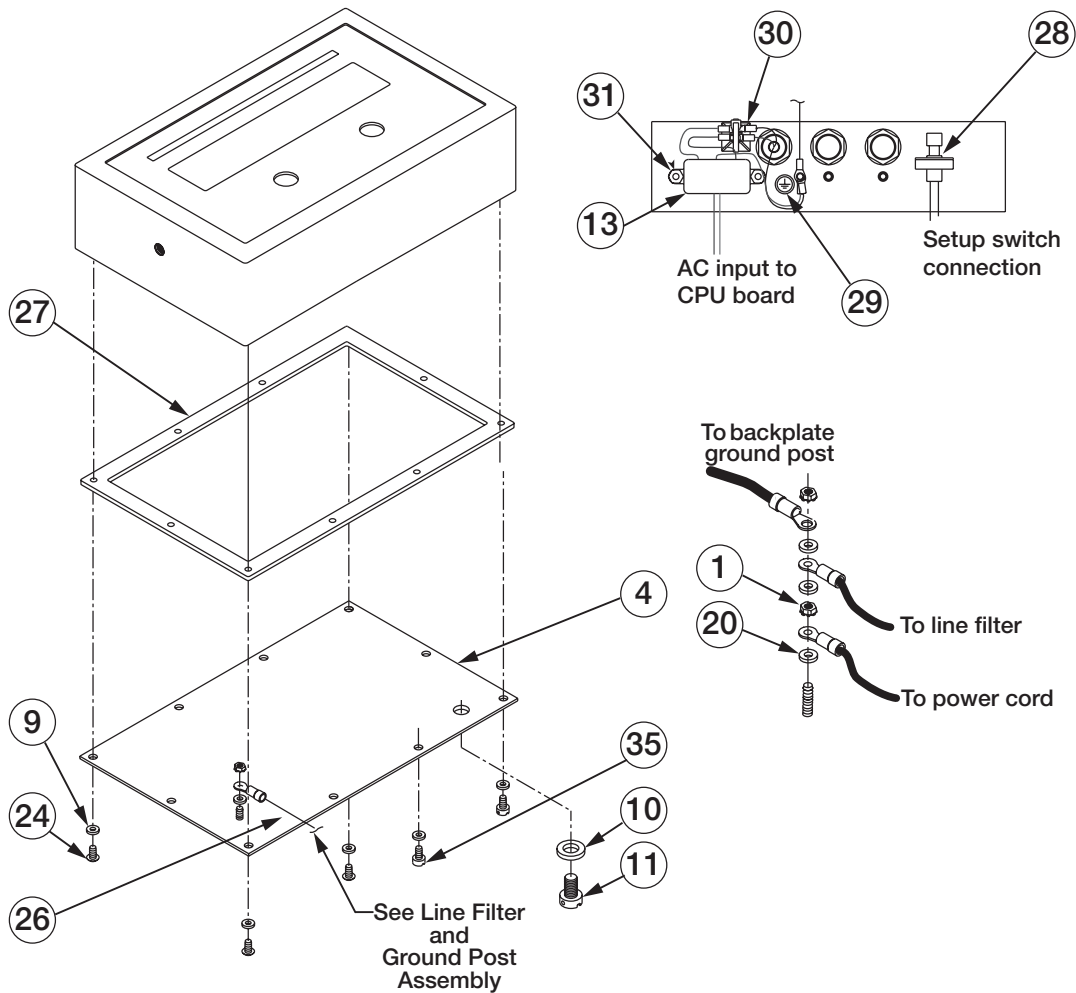
Backplate & Tilt Stand Assembly



Part Number/Price

Ref#	Part#	Description	Price
1	14626	Nuts, kep, 8-32 NC hex	Consult
4	52483	Enclosure backplate	Consult
9	45042	Sealing washers	Consult
10	44676	Sealing washer for setup switch access screw	Consult
11	42640	Setup switch access screw, 1/4 x 28NF x 1/4	Consult
13	41964	Line filter assembly	Consult
20	15134	Lock washers, internal tooth, No. 8, Type A	Consult
24	14862	Screws, 8-32 NC x 3/8	Consult
26	45043	Ground wire, 4 in, no. 8	Consult
27	39037	Backplate gasket	Consult
28	49910	Setup switch assembly	Consult
29	16892	Ground/earth label	Consult
30	15650	Cable tie mounts	Consult
31	45302	Line filter standoffs	Consult
35	30623	Fillister head screws, 8-32 NC x 7/16	Consult

(See Diagram IQ plus 210-A)



IQ plus 210-A

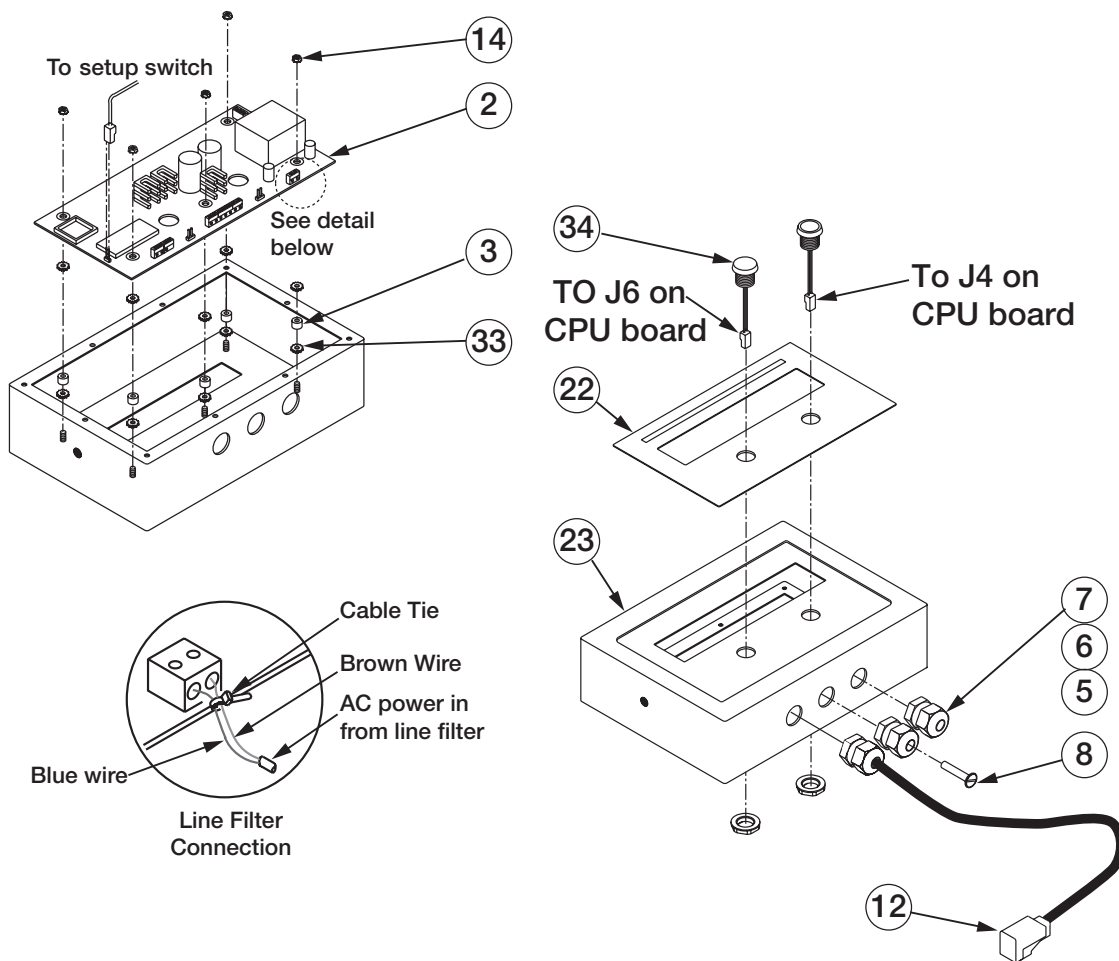
IQ plus® 2100/2100SL and IQ plus Indicator

CPU Board and Enclosure

Part Number/Price

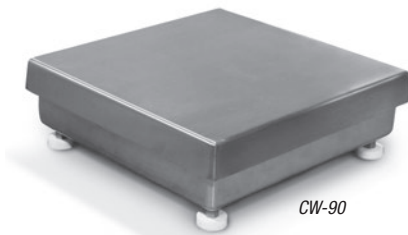
Ref#	Part#	Description	Price
2	53651	Display and CPU board assembly, 115VAC	Consult
2	53650	Display and CPU board assembly, 230VAC	Consult
3	15365	Board mounting spacers	Consult
5	15626	Cable grips, PG9	Consult
6	30375	Nylon seal rings for cable grips	Consult
7	15627	Locknuts, PCN9	Consult
8	19538	Cable grip plugs	Consult
12	41965	Power cord assembly, 115VAC	Consult
12	45254	Power cord assembly, 230VAC	Consult
14	14621	Keyp nuts, 6-32 NC hex	Consult
22	52853	Overlay membrane panel	Consult
23	52482	Enclosure	Consult
33	15131	Lock washers, external tooth, no. 6, Type A	Consult
34	71014	Piezo switches, non-tactile feed back	Consult
	53848	Fuse 200 mA 115VAC	Consult
	53881	Fuse 100 mA 230VAC	Consult

(See Diagram IQ plus 210-B)



IQ plus 210-B

CHECKWEIGHERS
CW-90/CW-90X



CW-90



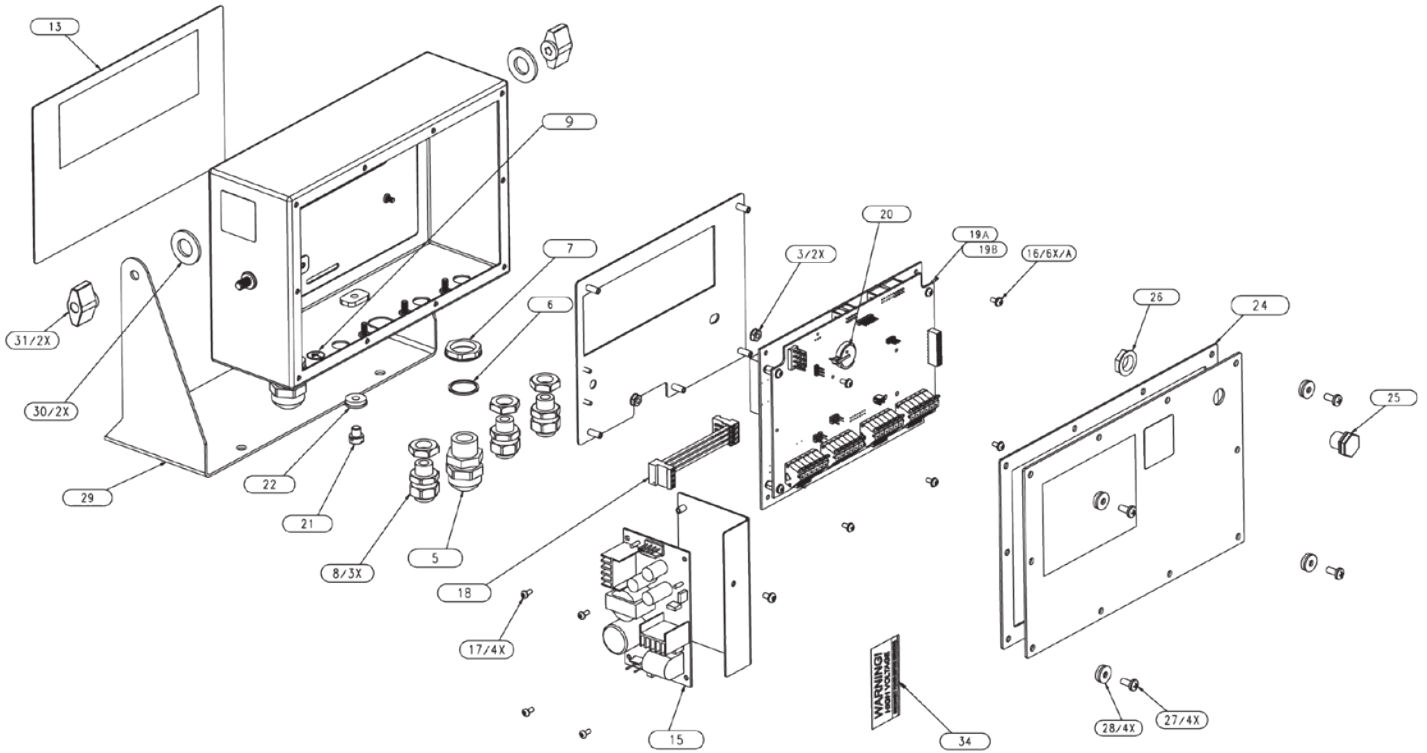
CW-90X

Part Number/Price

Ref#	Part#	Description	Price
CW-90X Load Cells			
	107174	RLPWM15HE 10 kg (5 lb and 10 lb scale)	Consult
	107175	RLPWM15HE 20 kg (25 lb scale)	Consult
	107176	RLPWM15HE 50 kg (50 lb scale)	Consult
	107177	RLPWM15HE100 kg (100 lb scale)	Consult
CW-90 Load Cells			
	107756	RL1040 7 kg (5 lb scale)	Consult
	107757	RL1040 10 kg (10 lb scale)	Consult
	107758	RL1040 30 kg (25 lb scale)	Consult
	107759	RL1040 50 kg (50 lb scale)	Consult
	107760	RL1040 100 kg (100 lb scale)	Consult
	107476	Bench scale foot	Consult
	106101	Assembled CPU and display board	Consult
	105555	Coupling nut for feet and overload stops	Consult
	105945	Parts kit, CW-90/90X (1)	Consult
3	14621	Nut, Kep 6-32 NC hex (2)	Consult
4	85202	Power cord assembly, 120VAC (1)	Consult
4	85203	Power cord assembly, 230VAC (1)	Consult
5	68600	Cord grip, PG11 (1)	Consult
6	68599	Seal ring, nylon PG11 (1)	Consult
7	68601	Nut, PG11 (1)	Consult
8	58983	Cable grip, SL-7 with nut (3)	Consult
9	16892	Label, earth ground (1)	Consult
10	15134	Washer, Lock no. 8 type A (3)	Consult
11	14626	Nut, Kep 8-32 NC hex (3)	Consult
12	45043	Wire, ground 4 in W/No.8 (1)	Consult
13	104914	Overlay, membrane switch (CW-90)	Consult
13	104915	Overlay, piezo (CW-90X)	Consult
15	76556	Power supply, switching (1)	Consult
16	14822	Screw, MACH 4-40 NC x 1/4 (6)	Consult
17	14825	Screw, MACH 4-40 NC x 1/4 (4)	Consult
18	105976	Cable assembly, power supply (1)	Consult
19A	102354	CPU (1) (battery p/n 69291 not included)	Consult
19A	120084	CPU CW-90, with battery	Consult
19B	105741	Display (1)	Consult
20	69291	Battery, 3V coin lithium (1)	Consult
21	42640	Screw, MACH 1/4-28 NF X 1/4 (1)	Consult
22	44676	Washer, bonded sealing (1)	Consult
24	84388	Gasket, backplate 420 (1)	Consult
25	182479	Vent, breather sealed (1)	Consult
26	182480	Nut, breather vent (1)	Consult
27	14862	Screw, MACH 8-32 NC x 3/8 (4)	Consult
28	45042	Washer, bonded sealing SST (4)	Consult
29	29635	Stand, tilt SST (1)	Consult
30	103988	Washer, nylon .52 10 x (2)	Consult
31	103610	Knob, black 1/4-20 (2)	Consult
34	16861	Label, warning high (1)	Consult

(See Diagram CW-90/90X)

CHECKWEIGHERS
CW-90/CW-90X



CW-90/90X Indicator

CHECKWEIGHERS

SURVIVOR® CW-80

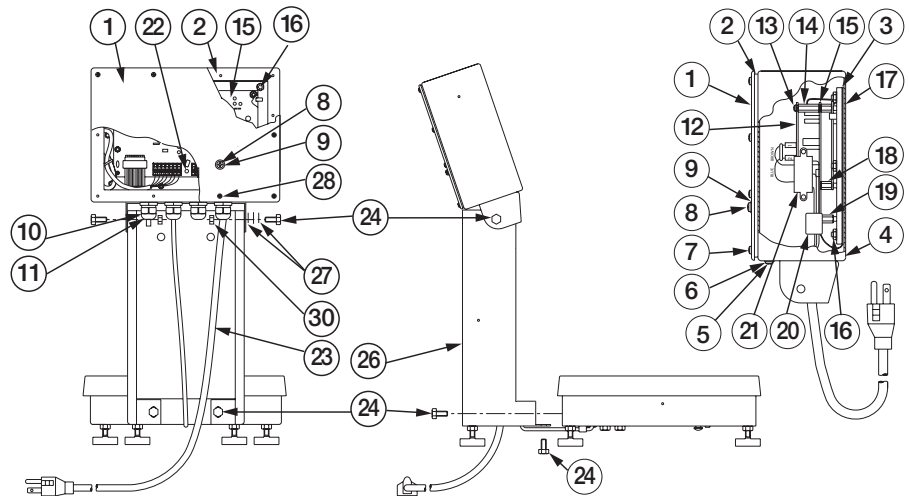
Indicator & Column Assemblies



Part Number/Price

Ref#	Part#	Description	Price
	47966	Shield, high-voltage	Consult
	31594	Cable assembly, power supply	Consult
	30907	Indicator stand/wall-mount bracket	Consult
	15671	Cable grip, 1/4 NPT, battery backup box	Consult
	30330	Enclosure, battery backup box	Consult
	15664	Reducing gland, 9 mm x 3/8 NPT	Consult
	30375	Seal ring, nylon	Consult
	15627	Lock nut, cord grips	Consult
	15134	Lock washer, #8	Consult
	15369	Line filter standoff, female 6-32 NC x 3/4	Consult
	16892	Ground/earth label	Consult
	32292	Guide tube	Consult
	45043	Wire, ground, 4 in	Consult
	35993	115 VAC fuse, 250 mA (2)	Consult
1	71346	Backplate (10 hole design)	Consult
2	65888	Gasket, rear panel (16 hole design)	Consult
3	30341	Gasket, front panel	Consult
5	22086	Screw, 6-32 NC x 1/4 Phillips pan head, SS	Consult
6	30625	Washer, plain #8 nylon	Consult
7	14862	Black plate gasket screw, 8-32 NC x 3/8 Phillips pan head	Consult
7	45042	Washer, black plate gasket screw	Consult
8	32365	Screw, 1/4-20 NC x 1/4 drilled fillister, sealing screw	Consult
9	44676	Washer, bonded sealing, #14	Consult
10	15626	Cord grip assembly, PG9	Consult
11	19538	Plug, post screw	Consult
11	71349	Breathing filter	Consult
12	31294	Power supply board, 115VAC	Consult
12	31295	Power supply board, 230VAC	Consult
12	31701	Power supply board, 115VAC w/BBU charging circuit & TTL	Consult

All replacement indicators feature stainless steel construction and are NEMA Type 4X/IP66 rated
(See CW-80-A)



CW-80-A

Checkweighers

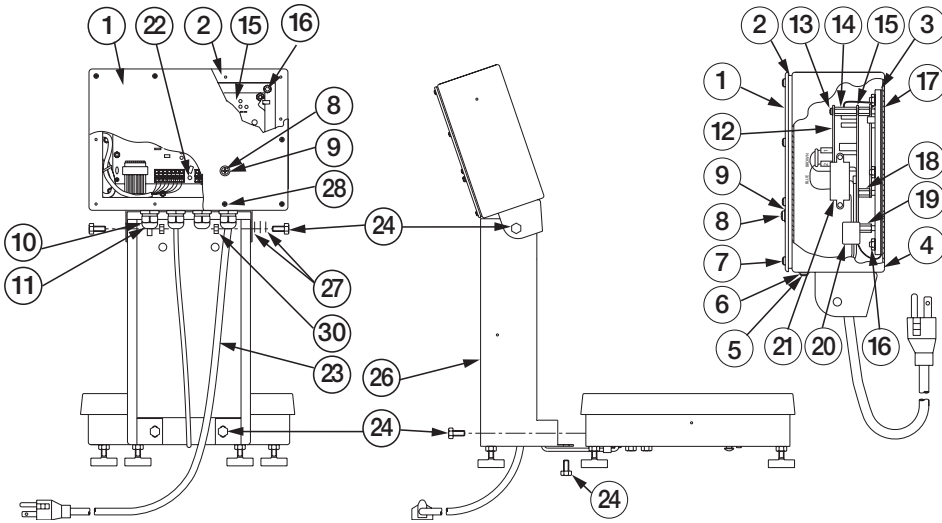
CHECKWEIGHERS
SURVIVOR® CW-80
 Indicator & Column Assemblies



Part Number/Price

Ref#	Part#	Description	Price
	35994	Fuse, 230	Consult
	35993	Fuse, 110	Consult
	32719	Transformer	Consult
13	14831	Screw, MACH 4-40 NC x 5/16 Phillips pan head, locking	Consult
14	31597	Standoff, male-female, 4-40 NC x 3/4 1/4 hex, steel	Consult
	42695	IC, EEPROM, SMT HN58C256FP, D8	Consult
16	14626	Nut, Kep 8-32 hex external tooth lock washer	Consult
18	15388	Standoff, male-female 4-40 NC x 3/8 1/4 hex, steel	Consult
19	31596	Standoff, male-female 4-40 NC x 7/16 1/4 hex, steel	Consult
20	15650	Cable tie mount	Consult
	15631	3 in nylon tie	Consult
21	32184	Line filter assembly (old style)	Consult
21	47764	Line filter assembly (new style)	Consult
22	31595	Support, for circuit board	Consult
23	41965	Power cord assembly, 115VAC	Consult
23	45254	Power cord assembly, 230VAC	Consult
24	14956	Bolt, 1/4-20 hex head	Consult
26	30208	Column, 30 in (only for 18 x 18 base or larger)	Consult
26	30207	Column, 24 in	Consult
26	30206	Column, 18 in	Consult
26	30205	Column, 12 in	Consult
27	15148	Washer, lock	Consult
28	30623	Screw, 8-32 NC x 7/16 slotted fillister, SS	Consult
30	14634	Nut, lock, 1/4-20 NC hex	Consult

(See Diagram CW-80-A)



CW-80-A

Checkweighers

CHECKWEIGHERS

SURVIVOR® CW-80

10 x 10in Base Assembly

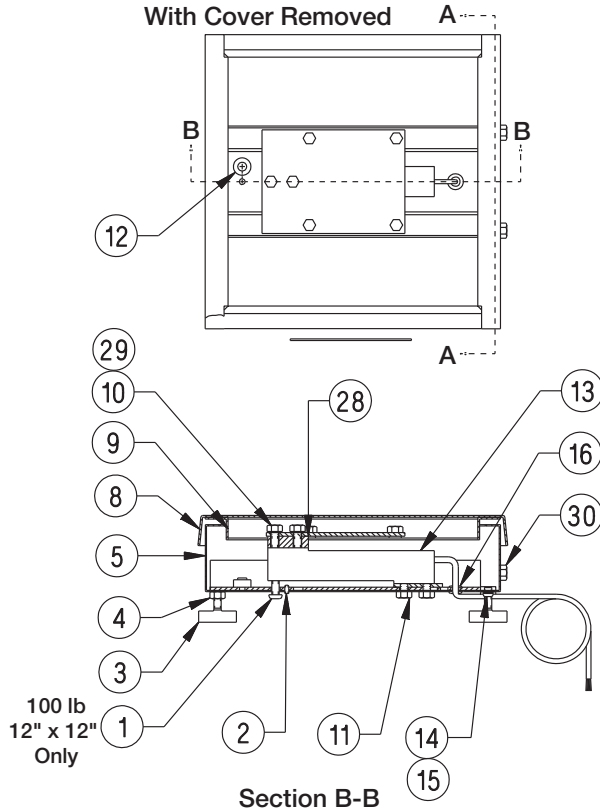


Part Number/Price

Ref#	Part#	Description	Price
	40543	Operating manual	Consult
2	14920	Screw, overload protection, 8-32 NC x 1/4	Consult
3	35128	Foot, 1/4-20 NC	Consult
4	14645	Jam nut, foot	Consult
5	19086	Bottom subassembly	Consult
7	16863	Label, bench scale	Consult
8	19091	Cover, top, 10 in x 10 in	Consult
9	19088	Top sub-assembly	Consult
10	15148	Washer, lock, #8 SS	Consult
11	14963	Screw, cap, 1/4-20 NC x 3/4	Consult
12	15410	Spirit level bubble, plastic	Consult
13	30783	Load cell, RL1380, 7 kg (6 lb model)	Consult
13	30782	Load cell, RL1380, 10 kg (10 lb model)	Consult
13	30781	Load cell, RL1380, 15 kg (15 lb model)	Consult
13	30780	Load cell, RL1380, 30 kg (30 lb model)	Consult
14	15132	Washer, lock, #8 SS	Consult
15	14857	Screw, pan head	Consult
16	15408	Grommet, rubber, 3/16 ID	Consult
17	16141	Cable tie	Consult
18	14984	Bolt, overload spring (6-15 lb models)	Consult
18	21947	Bolt, overload spring (30 lb model)	Consult

(See Diagram CW-80-B)

Top View Of Scale
With Cover Removed



CW-80 B

CHECKWEIGHERS
SURVIVOR® CW-80
 10 X 10in Base Assembly

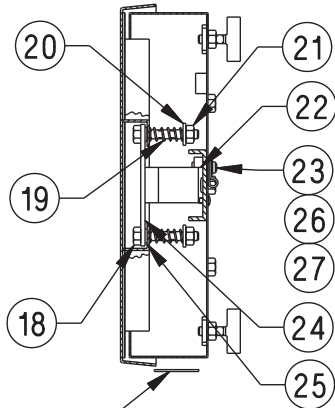
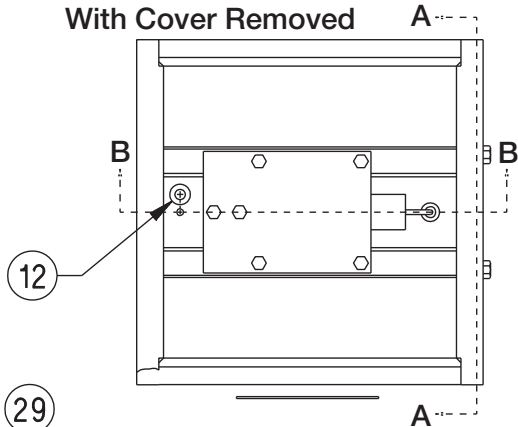
Part Number/Price

Ref#	Part#	Description	Price
19	21945	Spring, overload (6 lb model)	Consult
19	15416	Spring, overload (10 lb model)	Consult
19	21946	Spring, overload (15 lb model)	Consult
19	21944	Spring, overload (30 lb model)	Consult
20	15149	Washer, flat, SS	Consult
21	14634	Nut, nylon insert, 1/4-20NC, SS	Consult
22	35082	Shim, load cell	Consult
23	15409	Clamp, nylon cable	Consult
25	15150	Washer, sealing, 5/16	Consult
26	15138	Washer #8 SS	Consult
27	14862	Screw, cable clamp, 8-32 NC x 3/8	Consult
OIML Models			
13	30780	Load cell, RL1380, 30 kg (15 kg model)	Consult
24	19090	Load plate	Consult

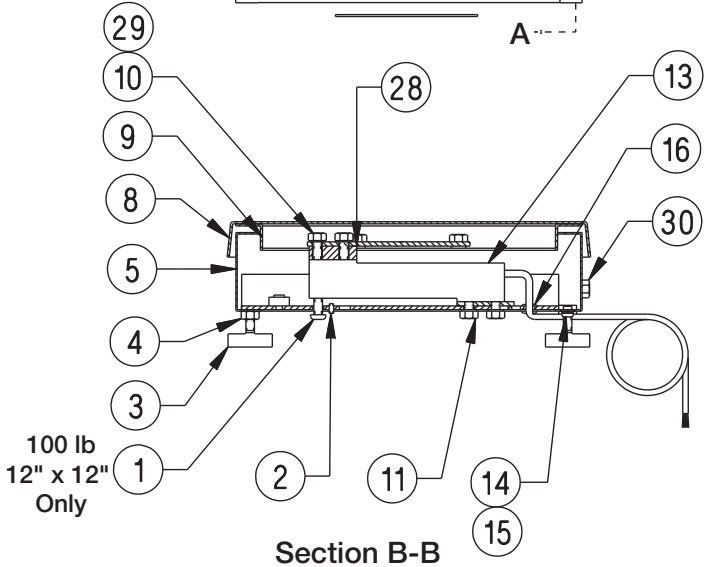
(See Diagram CW-80-B)



**Top View Of Scale
 With Cover Removed**



Section A-A



Section B-B

CW-80 B

Checkweighers

CHECKWEIGHERS

SURVIVOR® CW-80

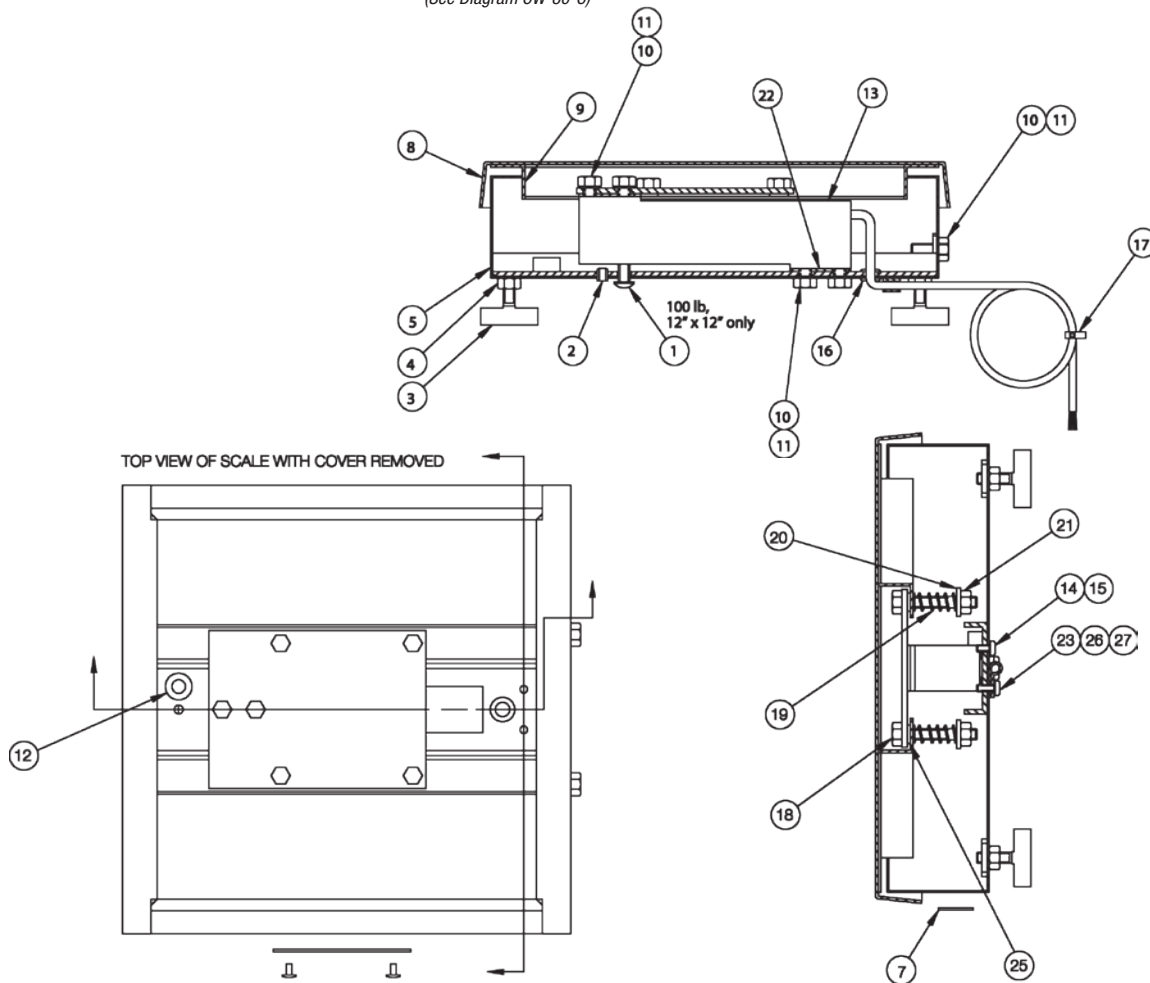
12 x 12in Base Assembly



Part Number/Price

Ref#	Part#	Description	Price
	40543	Operating manual	Consult
1	14951	Screw, cap, 1/4-28 NF x 3/8 (100 lb only)	Consult
2	14920	Screw, overload protection, 8-32 NC x 1/4	Consult
3	35128	Foot, 1/4-20 NC	Consult
4	14645	Jam nut, foot	Consult
5	35066	Bottom sub-assembly	Consult
7	16863	Label, bench scale (30 and 60 lb models)	Consult
8	35069	Cover, top, 12 in x 12 in	Consult
9	35068	Top sub-assembly	Consult
10	15148	Washer, lock, #8 SS	Consult
11	14963	Screw, cap, 1/4-20 NC x 3/4 (30 and 60 lb)	Consult
11	14956	Screw, cap, 1/4-20 NC x 1/2 (100 lb)	Consult
12	15410	Spirit level bubble, plastic	Consult
13	30780	Load cell, RL1380, 30 kg (30 lb model)	Consult
13	30779	Load cell, RL1380, 60 kg (60 lb model)	Consult
13	91732	Load cell, RLSP4, 100 kg (100 lb model)	Consult
14	15132	Washer, lock, #8 SS	Consult
15	14857	Screw, pan head	Consult
16	15408	Grommet, rubber, 3/16 ID	Consult
17	16141	Cable tie	Consult

(See Diagram CW-80-C)



CW-80-C

Checkweighers

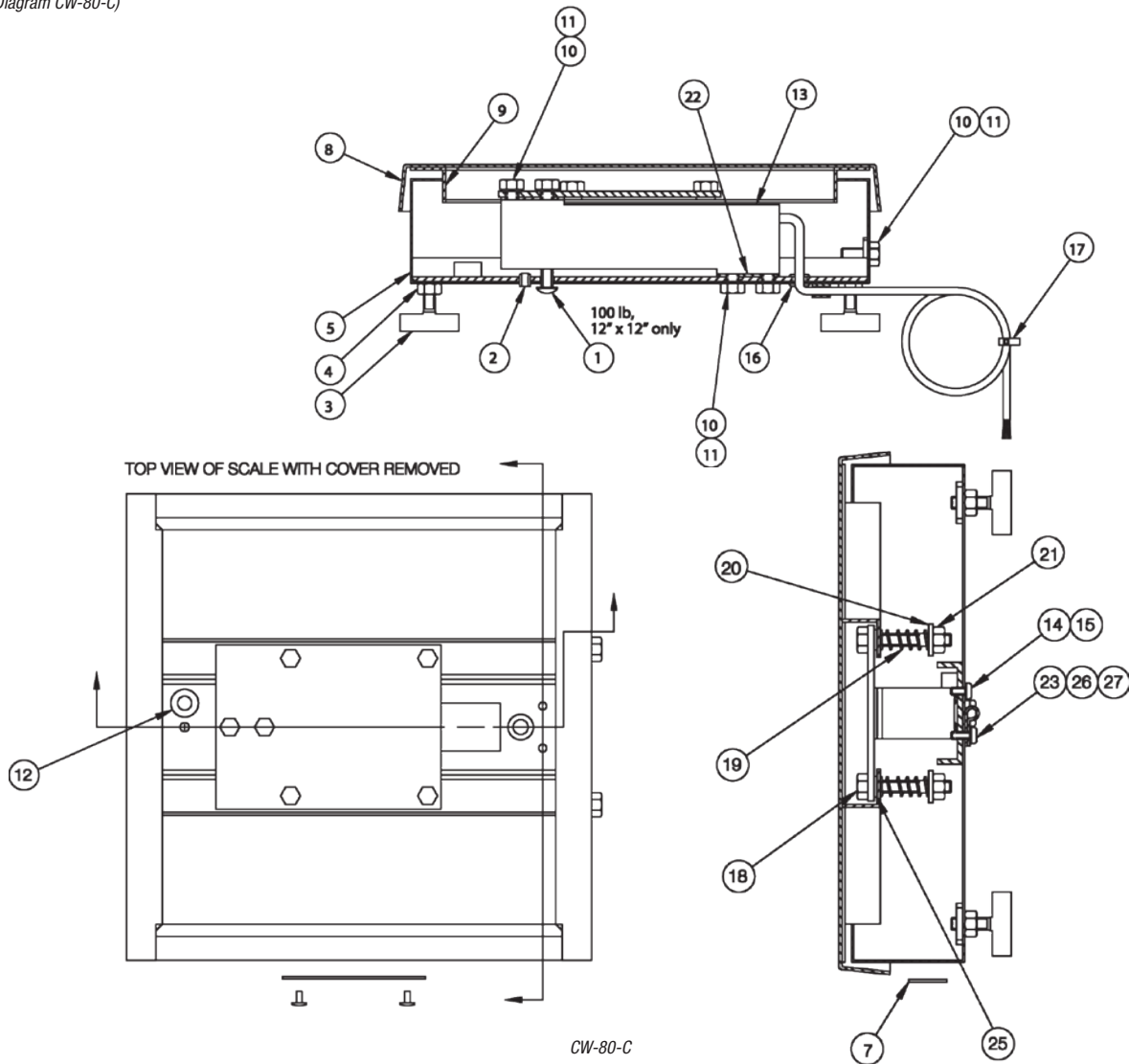
CHECKWEIGHERS
SURVIVOR® CW-80
 12 x 12in Base Assembly

Part Number/Price

Ref#	Part#	Description	Price
18	21947	Bolt, overload spring (30 lb model)	Consult
18	14984	Bolt, overload spring (60 lb model)	Consult
18	35199	Bolt, overload spring (100 lb model)	Consult
19	21944	Spring, overload (30 lb model)	Consult
19	35086	Spring, overload (60 lb model)	Consult
19	35200	Spring, overload (100 lb model)	Consult
20	15149	Washer, flat, SS	Consult
21	14634	Nut, nylon insert, 1/4-20 NC, SS	Consult
22	35082	Shim, load cell (30 and 60 lb models)	Consult
22	19089	Shim, load cell (30 lb, 60 lb and 100 lb models)	Consult
23	15409	Clamp, nylon cable	Consult
24	35067	Load plate (100 lb model)	Consult
25	15150	Washer, sealing, 5/16	Consult
26	15138	Washer #8 SS	Consult
27	14862	Screw, cable clamp, 8-32 NC x 3/8	Consult
OIML Models			
13	30780	Load cell, RL1380, 30 kg (15 kg model)	Consult
13	30779	Load cell, RL1380, 60 kg (30 kg model)	Consult
24	19090	Load plate	Consult



(See Diagram CW-80-C)



CW-80-C

Checkweighers

CHECKWEIGHERS

SURVIVOR® CW-80

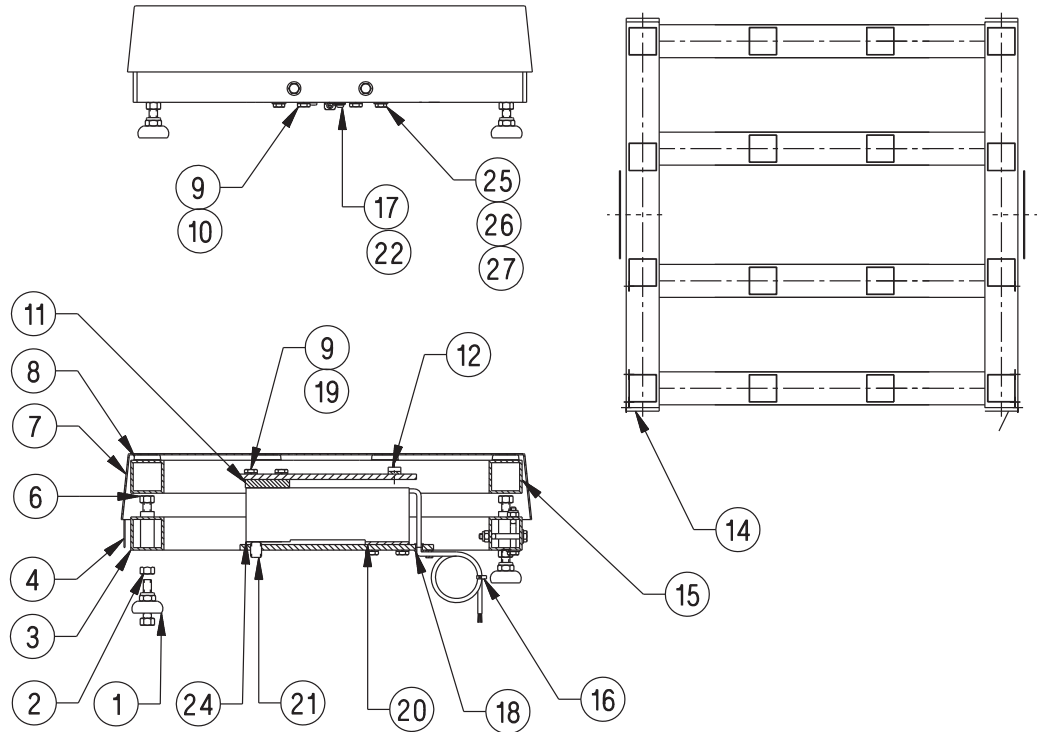
18 x 18in, 18 x 24in, 24 x 24in Base Assembly



Part Number/Price

Ref#	Part#	Description	Price
	22125	Operating manual	Consult
	10082	Pad, 23.10 x 23.10	Consult
1	19141	Foot, 3/8-16 x .78	Consult
2	14649	Jam nut, foot MS	Consult
2	14653	Jam nut, foot SS	Consult
3	49766	Frame bottom, 18 in x 18 in, MS (RL1260 load cell)	Consult
3	49768	Frame bottom, 18 in x 18 in, SS (RL1260 load cell)	Consult
3	49770	Frame bottom, 18 in x 24 in, MS (RL1260 load cell)	Consult
3	49772	Frame bottom, 18 in x 24 in, SS (RL1260 load cell)	Consult
3	49774	Frame bottom, 24 in x 24 in, MS (RL1260 load cell)	Consult
3	49776	Frame bottom, 24 in x 24 in, SS (RL1260 load cell)	Consult
3	19108	Frame bottom, 18 in x 18 in, MS (RL1250 load cell)	Consult
3	19109	Frame bottom, 18 in x 18 in, SS (RL1250 load cell)	Consult
3	19110	Frame bottom, 18 in x 24 in, MS (RL1250 load cell)	Consult
3	19111	Frame bottom, 18 in x 24 in, SS (RL1250 load cell)	Consult
3	19112	Frame bottom, 24 in x 24 in, MS (RL1250 load cell)	Consult
3	19114	Frame bottom, 24 in x 24 in, SS (RL1250 load cell)	Consult
4	52342	Label roll, 4 in x 1.25 in	Consult
6	14742	Bolt, 3/8-16 NC x 1, hex head	Consult
7	19094	Cover, top, 18 in x 18 in	Consult
7	19095	Cover, top, 18 in x 24 in	Consult
7	19096	Cover, top, 24 in x 24 in	Consult
8	26407	Bumper, self adhesive	Consult
9	15153	Washer, lock, 5/16 regular, MS	Consult
9	15154	Washer, lock, 5/16 regular, SS	Consult
10	26668	Screw, cap, 5/16-18 NC x 3/4, hex, MS	Consult
10	26669	Screw, cap, 5/16-18 NC x 3/4, hex, SS	Consult
10	26667	Screw, cap, 5/16-18 NC x 1, hex, MS	Consult
10	26670	Screw, cap, 5/16-18 NC x 1, hex, SS	Consult

(See Diagram CW-80-D)



CW-80-D

SURVIVOR® CW-80

18 x 18 in, 18 x 24 in, 24 x 24 in Base Assembly

Part Number/Price

Ref#	Part#	Description	Price
11	49785	Plate, washer, MS (RL1260 load cell)	Consult
11	49786	Plate, washer, SS (RL1260 load cell)	Consult
11	19102	Plate, washer, MS (RL1250 load cell)	Consult
11	19103	Plate, washer, SS (RL1250 load cell)	Consult
12	15410	Level, spirit bubble	Consult
14	19140	Insert, glide, square	Consult
15	49765	Frame, top, 18 in x 18 in, MS (RL1260 load cell)	Consult
15	49767	Frame, top, 18 in x 18 in, SS (RL1260 load cell)	Consult
15	19116	Frame, top, 18 in x 18 in, MS (RL1250 load cell)	Consult
15	19117	Frame, top, 18 in x 18 in, SS (RL1250 load cell)	Consult
15	19118	Frame, top, 18 in x 24 in, MS (RL1250 load cell)	Consult
15	19119	Frame, top, 18 in x 24 in, SS (RL1250 load cell)	Consult
15	49769	Frame, top, 18 in x 24 in, MS (RL1260 load cell)	Consult
15	49771	Frame, top, 18 in x 24 in, SS (RL1260 load cell)	Consult
15	49773	Frame, top, 24 in x 24 in, MS (RL1260 load cell)	Consult
15	49775	Frame, top, 24 in x 24 in, SS (RL1260 load cell)	Consult
15	19120	Frame, top, 24 in x 24 in, MS (RL1250 load cell)	Consult
15	19121	Frame, top, 24 in x 24 in, SS (RL1250 load cell)	Consult
16	16141	Cable, tie, 8 in nylon	Consult
17	15409	Clamp, cable, no. 8 hole	Consult
18	15418	Grommet, rubber	Consult
19	49788	Screw, cap, 5/16-18 NC x 1 1/4, hex, MS (RL1260 load cell)	Consult
19	49789	Screw, cap, 5/16-18 NC x 1 1/4, hex, SS (RL1260 load cell)	Consult
19	26667	Screw, cap, 5/16-18 NC x 1, hex, MS (RL1250 load cell)	Consult
19	26668	Screw, cap, 5/16-18 NC x 3/4, hex, MS (RL1250 load cell)	Consult
19	26669	Screw, cap, 5/16-18 NC x 3/4, hex, SS (RL1250 load cell)	Consult
20	49787	Shim plate (RL1260 load cell)	Consult
20	22264	Shim plate (RL1250 load cell)	Consult
21	15045	Screw, set, 1/2-20 NF x 1/2, hex, MS	Consult
21	15047	Screw, set, 1/2-20 NF x 1/2, hex, SS	Consult
22	14858	Screw, Mach, 8-32 NC x 5/16, MS	Consult
22	14862	Screw, Mach, 8-32 NC x 3/8, SS	Consult
24	32849	Load cell, RL1250-N5 50 kg potted (50 lb models)	Consult
24	32855	Load cell, RL1250-N5 100 kg potted (100 lb models)	Consult
24	32854	Load cell, RL1250-N5 150 kg potted (150 lb models)	Consult
24	32853	Load cell, RL1250-N5 200 kg potted (200 lb models)	Consult
24	32852	Load cell, RL1250-N5 250 kg potted (250 lb models)	Consult
24	32851	Load cell, RL1250-N5 300 kg potted (300 lb models)	Consult
24	32850	Load cell, RL1250-N5 500 kg potted (500 lb models)	Consult
24	91683	Load cell, RLPWM12 1000 kg (1000 lb models)	Consult
24	41020	Load cell, RL1260 50 kg (50 lb models)	Consult
24	41022	Load cell, RL1260 100 kg (100 lb models)	Consult
24	158469	Load cell, RL1260 150 kg (150 lb models)	Consult
24	41023	Load cell, RL1260 200 kg (200 lb models)	Consult
24	41024	Load cell, RL1260 250 kg (250 lb models)	Consult
24	41025	Load cell, RL1260 300 kg (300 lb models)	Consult
24	41026	Load cell, RL1260 500 kg (500 lb models)	Consult
25	35316	Screw, cap, 1/4-20 NC x 2, hex, MS	Consult
25	35199	Screw, cap, 1/4-20 NC x 2, hex, SS	Consult
26	15145	Washer, plain, 1/4 Type A, MS	Consult
26	15149	Washer, plain, 1/4 Type A, SS	Consult
27	14635	Nut, lock, 1/4-20 NC, hex, MS	Consult
27	14634	Nut, lock, 1/4-20 NC, hex, SS	Consult

(See Diagram CW-80-D)



Counting Scales

TABLE OF CONTENTS

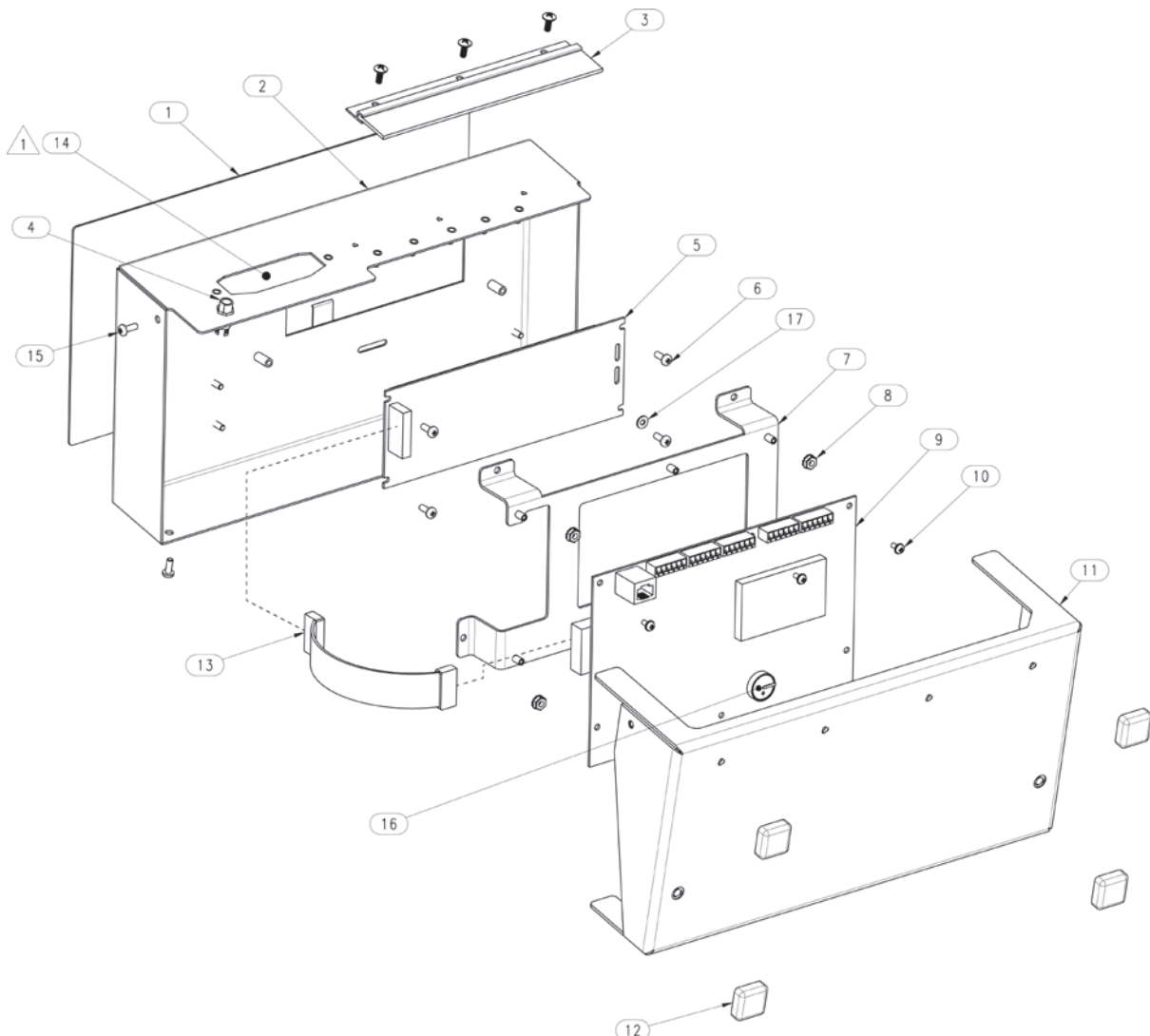
COUNTERPART	76
DIGI [®] DC-400	78
DC-782	79
DC-788	80
DMC-782	81
<i>Coin Counting Scales</i>	
DMC-290	82
DMC-688	83
DC-180	84
DC-19/IQ9500	85
DC-100/200/300	86
DC-688	87
DC-530	88

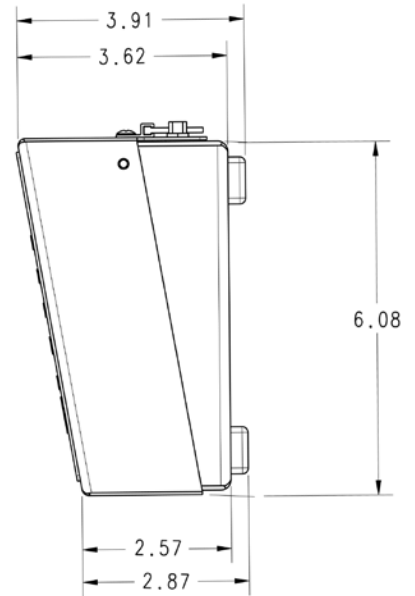
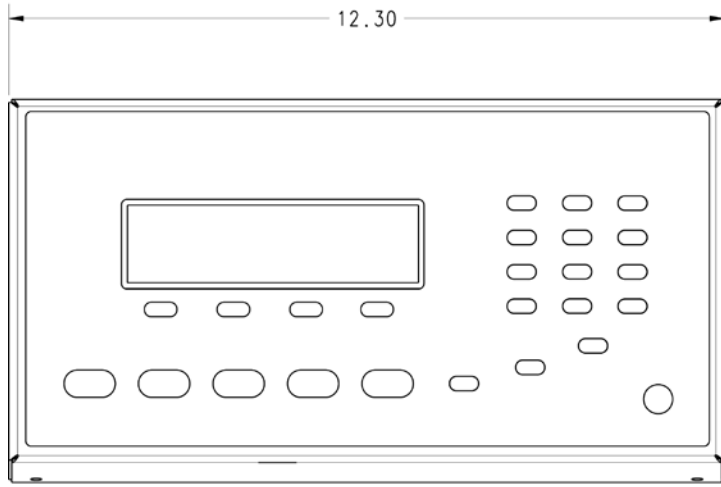
Part Number/Price

Ref #	Part#	Description	Price
1	118434	Overlay, membrane switch panel (1)	Consult
2	118435	Counterpart cover enclosure (1)	Consult
3	120756	Seal stripe, nylon brush with holes (1)	Consult
5	119275	LCD display module	Consult
7	120484	CPU mounting bracket (1)	Consult
8	14621	Kep nut, 6-32 NC hex (6)	Consult
9	120741	CPU board (1) single AD	Consult
	117507	CPU board (1) dual AD	Consult
10	14822	Machine screw, 4-40 NC x 1/4 (6)	Consult
11	118437	Enclosure base (1)	Consult
12	19433	Rubber foot (4)	Consult
13	60130	Ribbon cable (1)	Consult
14	75146	Cover plate (1)	Consult
15	120266	Machine screw, 6-32 NC x 3/8 (7)	Consult
16	69291	Lithium battery, 3V (1)	Consult
17	59274	#6 flat washer (1)	Consult
18	56972	Flat cable clamp (2)	Consult
	128063	Power supply 12V, requires power cord	Consult
	15438	AC power cord	Consult
21	53828	Cable, multi scale	Consult

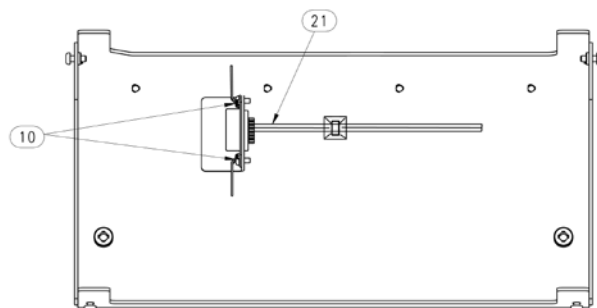
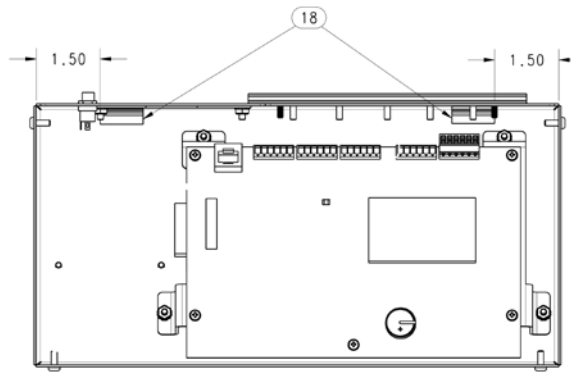
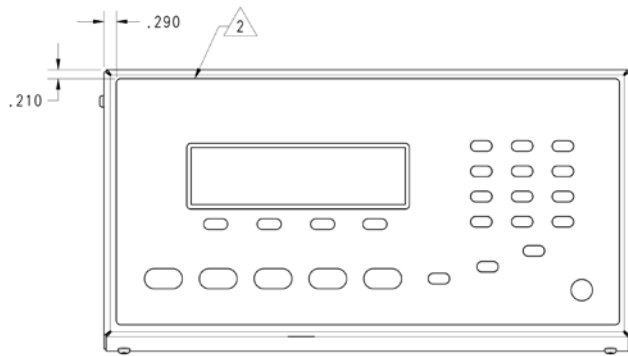


Counting Scales





Counting Scales



COUNTING SCALES
DIGI® DC-400

Part Number/Price



Part#	Description	Price
194644	Foot, DC-400 counting scale (SM56-B34)	Consult
194645	Main board, DC-400 counting scale	Consult
194646	Board, A/D, DC-400 counting scale	Consult
194647	Board, interface, DC-400 counting scale	Consult
194648	Board, switch power, DC-400 counting scale	Consult
194649	Key board, DC-400 counting scale	Consult
194650	Display, DC-400 counting scale	Consult
194651	Keysheet, DC-400 counting scale	Consult
194652	Load cell block, DC-400 counting scale. 6 kg/600 g	Consult
194653	Board, power inlet, DC-400 counting scale	Consult
194654	AC cord, DC-400 counting scale	Consult

COUNTING SCALES
DC-782

Part Number/Price

Part#	Description	Synonym	Price
109241	Adhesive, display overlay DC-782	41021508600200	Consult
109242	Keyboard, underlayment DC-782	41021505000101	Consult
73524	Platter, DC-782	41001050000100	Consult
109243	Overlay, display window 6 lb	43002150103800	Consult
109244	Overlay, display window 15 lb	43002150103900	Consult
109245	Overlay, display window 30 lb	43002150104000	Consult
109246	Overlay, display window 60 lb	43002150104100	Consult
109247	Overlay, keyboard DC-782	43002105100300	Consult
109248	Bracket, platter support	41021508800101	Consult
73438	Support, platter black	40402000080840	Consult
109249	Support, center black	40402000080740	Consult
109250	Foot, DC-782	40402000000240	Consult
109251	Nut, foot DC-782 Heagon T3 M6	30N00000006003	Consult
109252	Load cell, 6 lb (3 kg)	44009960200500	Consult
109253	Load cell, 15 lb (6 kg)	44009960200200	Consult
109254	Load cell, 30 lb (12 kg)	44009960200100	Consult
109255	Load cell, 60 lb (30 kg)	44009960200300	Consult
109256	Board, main DC-782	43002190100400	Consult
109257	Board, A/D DC-782	43002190500100	Consult
109258	Board, DC power DC-782	41021591000100	Consult
108518	AC adapter	-	Consult
112266	Board, power, 117V (units made after 2/2011)		Consult
108516	Rechargeable battery		Consult



Counting Scales

DC-788

Part Number/Price



Part#	Description	Synonym	Price
89994	Keysheet, 16 keys	43002085100101	Consult
89997	Keysheet, 8 keys	43002005100301	Consult
89999	Keyboard	41012690901100	Consult
90152	Main board	43002090900100	Consult
90153	Load cell, 2 lb	43002066200400	Consult
90154	Load cell, 10 lb	43001060200100	Consult
90155	Load cell, 20 lb	43002060200200	Consult
90156	Load cell, 50 lb	41001060200300	Consult
90159	Load cell, 100 lb	43002060200500	Consult
90188	Cover top	43002002800600	Consult
90160	Platter support	41012608800102	Consult
90171	Platter cover 10 lb-100 lb	41012650200900	Consult
65956	Platter cover 2 lb	40303200040320	Consult
91214	AC adapter 110-240 US plug	-	Consult
92549	Board, pre-amp A/D	4300209091300	Consult
96797	Display lens	43002050100201	Consult
97368	Sealing screws	41004601300200	Consult
97369	White washers	41012602900101	Consult
98398	Display board	43002090900200	Consult
151443	Leveling foot	-	Consult
73588	Rubber support	-	Consult
163482	DC Input Jack	-	Consult

COUNTING SCALES
DMC-782
 Coin Counting Scales

Counting Scales



Part Number/Price

Part#	Description	Synonym	Price
109241	Adhesive, display overlay DMC-782	41021508600200	Consult
109242	Keyboard, underlayment DMC-782	41021505000101	Consult
73524	Platter, DMC-782	41001050000100	Consult
112263	Overlay, display window DMC-782	43002250100100	Consult
112264	Overlay, keyboard DMC-782	43002205100100	Consult
109248	Bracket, platter support	41021508800101	Consult
73438	Support, platter black	40402000080840	Consult
109249	Support, center black	40402000080740	Consult
109250	Foot, DMC-782	40402000000240	Consult
109251	Nut, foot DMC-782 Hexagon T3 M6	30N00000006003	Consult
109252	Load cell, 6 lb (3 kg)	44009960200500	Consult
109253	Load cell, 15 lb (6 kg)	44009960200200	Consult
109255	Load cell, 60 lb (30 kg)	44009960200300	Consult
112265	Board, main DMC-782	43002290100200	Consult
109257	Board, A/D DMC-782	43002190500100	Consult
112266	Board, power DMC-782, 117V	41021691000400	Consult
109254	Load cell 30 lb	-	Consult
108516	Rechargeable battery	-	Consult

COUNTING SCALES
DMC-290



Part Number/Price

Part#	Description	Synonym	Price
67199	Rubber cord grip, scale side	-	Consult
67200	Rubber cord grip, RS-232 side	-	Consult
67201	Bracket, cord side	-	Consult
66965	Short screws (case and bracket)	-	Consult
66408	Transistor Q3 on/off	2SAC020	Consult
73459	Spider 5/10/25 lb	ZZCP-078	Consult
73445	Spider 50/100 lb	ZZCP-080	Consult
65958	Platter 10 lb and up	ZZCP-087	Consult
73446	Platter support DC-190, A type	ZZCP-088	Consult
74969	Platter support type B, DC-190 DG-2-150	-	Consult
73532	Keyboard, (new style)	Z190-006	Consult
73544	DMC-290 keysheet, DG-8-PAR	Z190-007	Consult
65966	Platform foot	Z190-021	Consult
65965	Transformer (for S-XL Platform)	Z190-040	Consult
65964	Interface board (RS-232)	Z190-054	Consult
65963	U.W. weight display tube	Z190-090	Consult
74921	Transformer 220V	-	Consult
73382	PS-100 power supply	-	Consult
73359	DMC-290 operating manual	-	Consult
65945	S-XL load cell-single type, 50 lb capacity	ZZLC-190-50	Consult
65946	S-XL load cell-single type, 25 lb capacity	ZZLC-190-25	Consult



Counting Scales



COUNTING SCALES
DMC-688

Part Number/Price

Part#	Description	Synonym	Price
74922	Keyboard,	Z688-006	Consult
74923	DMC-688 keysheet	Z688-007	Consult
76639	DMC-688 CPU board	-	Consult
73188	A/D board (pre-amp)	Z688-009	Consult
74929	DMC-688 filter	Z688-010	Consult
74925	Filter adhesive, display lens	Z688-012	Consult
76036	Platter	Z688-017	Consult
73588	Platter support	Z688-018	Consult
73589	Foot and nut	Z688-021	Consult
Components of Part #73589			
75584	Foot	-	Consult
75585	Nut	-	Consult
74927	Battery holder	Z688-040	Consult
74926	Battery cover	Z688-090041	Consult
74928	Transformer	Z688-042	Consult
73590	LCD display	Z688-090	Consult
23143	Power cord	-	Consult
73360	DMC-688 operating manual	-	Consult
83891	Load Cell 6 lb	-	Consult
83892	Load Cell 15 lb	-	Consult
83894	Load Cell 60 lb	-	Consult



Counting Scales

COUNTING SCALES
DC-180



Part Number/Price

Part#	Description	Synonym	Price
73174	RS-232 interface option	-	Consult
31784	Adjustable foot (1 lb-25 lb)	ZZCP-006	Consult
73438	Platter support (DC60-/120/130/180/DS-570)	ZZCP-010	Consult
65955	Platter 1 lb (single)	ZZCP-082	Consult
65956	Platter 2.5 lb	ZZCP-085	Consult
73516	Top cover	Z180-001	Consult
73519	Foot (50 lb)	Z180-004	Consult
73520	Battery cover	Z180-005	Consult
73521	Keyboard (requires part number 73527)	Z180-006	Consult
73522	Main board	Z180-007	Consult
73523	Pre-amplifier	Z180-008	Consult
73524	Platter (5 lb-50 lb)	Z180-009	Consult
73525	Spider (1 lb-25 lb)	Z180-010	Consult
73527	Keysheet	Z180-012	Consult
73528	Display lens	Z180-013	Consult
73529	Transformer	Z180-014	Consult
73530	Display tube	Z180-015	Consult
74974	Cover screw, battery (DC-180)	-	Consult
15438	Power cord, straight	-	Consult
66408	Transistor, on/off	-	Consult
66409	Transistor	2SC3072	Consult
60832	Diode (D150/D160)	IN4002	Consult
79509	Load cell (1 lb capacity)	ZZLC-180-1	Consult
79510	Load cell (2.5 lb capacity)	ZZLC-180-2.5	Consult
79511	Load cell (5 lb capacity)	ZZLC-180-5	Consult
73456	Load cell (10 lb capacity)	ZZLC-180-10	Consult
79512	Load cell (25 lb capacity)	ZZLC-180-25	Consult
79513	Load cell (50 lb capacity)	ZZLC-180-50	Consult
73349	Operating manual	-	Consult
73350	Operators quick guide	-	Consult
75315	Cable, null modem (DC-180), 9 pin to 8 pin diameter	-	Consult
73375	Connector socket 14 pin	-	Consult
32375	14 pin load cell connector male	-	Consult

Discontinued

COUNTING SCALES
DC-19/IQ9500

Counting Scales

Part Number/Price

Part#	Description	Synonym	Price
15438	AC power cord (SX-L/D power cord)	-	Consult
67199	Rubber cord grip, scale side	-	Consult
67200	Rubber cord grip, RS-232 side	-	Consult
67201	Bracket, cord side	-	Consult
66965	Short screws (case and bracket)	-	Consult
66408	Transistor Q3 on/off	ZSA1020	Consult
75012	Spider 25 lb (192D)	ZZCP-074	Consult
73459	Spider 5/10/25 lb	ZZCP-078	Consult
73445	Spider 50/100 lb	ZZCP-080	Consult
65955	Platter 1 lb (single)	ZZCP-083	Consult
65956	Platter 2.5 lb	ZZCP-085	Consult
65958	Platter 10 lb and up	ZZCP-087	Consult
65959	Platter 25 lb (192D)	ZZCP-075	Consult
73446	Platter support DC-190	ZZCP-088	Consult
74969	Platter support type B, DC-190	-	Consult
73531	Keysheet, DC-190 (overlay)	Z190-005	Consult
73532	Keyboard, New style- two dip switches	Z190-006	Consult
73533	Main board, FLASH (new style) specify software version	-	Consult
65966	Platform fleet	Z190-021	Consult
65965	Transformer (for S-XL Platform)	Z190-040	Consult
65964	Interface board (RS-232)	Z190-054	Consult
65963	U.W. weight display tube	Z190-090	Consult
74921	Transformer 220V (for base) (add fuse 16443 to convert)	-	Consult
73382	PS-100 power supply, 12VDC 1000 mA	-	Consult
73352	DC-190 operating manual (with technical detail)	-	Consult
65946	S-XL load cell - single/dual type, (25 lb capacity)	ZZLC-190-25	Consult
65945	S-XL load cell - single type, (50 lb capacity)	ZZLC-190-50	Consult
65332	Battery switch on/off cover	-	Consult
103652	S-XL cable assembly	-	Consult
32375	14 pin Digi [®] connectors, male	-	Consult
73375	14 pin Digi connectors, female	-	Consult



Dual Platform



Single Platform

COUNTING SCALES
DC-100/200/300



Part Number/Price

Part#	Description	Synonym	Price
15438	AC power cord	44012405300100	Consult
82224	Foot (each)	44012403400100	Consult
82225	Display filter	4401249090100	Consult
82226	Keyboard DC200/300	4301190901600	Consult
82228	A/D convertor board	43001190901400	Consult
76065	RS-232, Ethernet board	40303200040220	Consult
65955	Platter (1 lb)	40303200040320	Consult
65956	Platter (2.5 lb)	40302900612120	Consult
82248	Platter (5 lb)	41900950000300	Consult
82249	Platter (10 lb, 25 lb, 50 lb)	43000908800100	Consult
82240	Spider (1 lb)	40302900600320	Consult
82241	Spider (50 lb)	41000108800200	Consult
82252	Spider (10 lb and 25 lb)	40302900280140	Consult
82250	Spider damper (1 lb)	40302900280240	Consult
82255	Spider support (50 lb)	43000160000900	Consult
82242	Load cell (5 lb capacity)	44012460200100	Consult
82243	Load cell (10 lb capacity)	43001160200300	Consult
82244	Load cell (25 lb capacity)	44012460200300	Consult
82245	Load cell (50 lb capacity)	44012490902700	Consult
82247	Display controller board	43001090901000	Consult
115304	Side cover	-	Consult
115305	Thumbscrew for side cover	-	Consult
DC-100			
55853	Rechargeable battery	-	Consult
DC-200			
82257	DC-200 power converter board	44013190901700	Consult
96253	DC-200 keysheet overlay	43001005100200	Consult
55853	Rechargeable battery	-	Consult
DC-300			
76073	Label roll (60 mm x 55 mm)	-	Consult
76074	Label roll (60 mm x 95 mm)	-	Consult
76075	Label roll (60 mm x 120 mm)	-	Consult
76076	Receipt paper roll	-	Consult
82227	DC-300 main board	43001190900900	Consult
82229	DC-300 keyboard overlay	43001105100201	Consult
82230	DC-300 power supply board	12PNPWU0ZD75TS	Consult
82246	DC-300 thermal head	44012490968800	Consult
101387	Media supply hub, white spool	44012407402801	Consult

DC-100

DC-200

DC-300

Counting Scales





COUNTING SCALES
DC-688

Part Number/Price

Part#	Description	Synonym	Price
73586	Keysheet	Z688-005	Consult
74922	Keyboard	Z688-006	Consult
73188	A/D board (pre-amp)	Z688-009	Consult
74925	Filter adhesive, for display lens	Z688-012	Consult
73587	DC-688, display overlay	Z688-013	Consult
76036	Platter	Z688-017	Consult
73588	Platter support	Z688-018	Consult
73589	Foot	Z688-021	Consult
Components of Part #73589			
75584	Foot	-	Consult
75585	Nut	-	Consult
74927	Battery holder	Z688-040	Consult
74926	Battery cover	Z688-090041	Consult
74928	Transformer	Z688-042	Consult
73590	LCD display	Z688-090	Consult
23143	Power cord	-	Consult
73353	DC-688 operating manual	-	Consult
83892	Load cell, 15 lb	-	Consult
83893	Load cell, 30 lb	-	Consult
83894	Load cell, 60 lb	-	Consult



Counting Scales

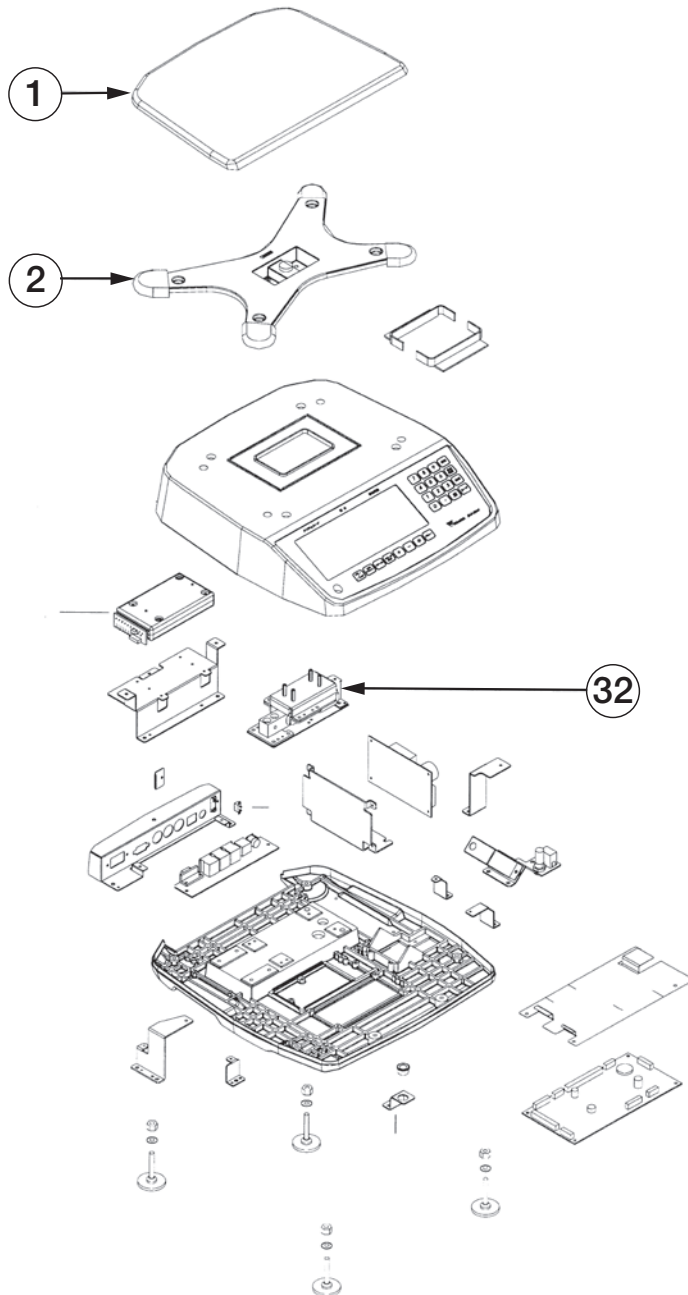
COUNTING SCALES
DC-530

Discontinued

Part Number/Price

Ref#	Part#	Description	Synonym	Price
1	97002	Platter	43002907000101	Consult
2	97003	Support, no rubber support	43002908801105	Consult
	97006	Overlay lens	43002903400102	Consult
	97007	Display board	43002905100302	Consult
32	97008	Load cell block, 10 lb, 30 x 22y06NB0050	-	Consult
32	97009	Load cell block, 20 lb, 30 x 22y06NB0100	-	Consult
	97010	A/D assembly	43002990900600	Consult
	97011	Power supply	T2PTWUOSWT400	Consult
	97012	Main CPU board	4300299090900100	Consult
	15438	Power cord	-	Consult

Counting Scales

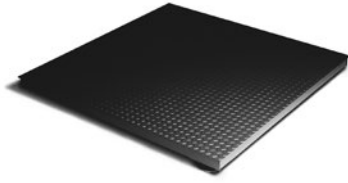


Floor Scales

TABLE OF CONTENTS

ROUGHDECK® HP, HP-H AND HC	90
ROUGHDECK® CS	91
ROUGHDECK® SS	92
ROUGHDECK® HE	93
AUTOLIFT HE	94
<i>Pneumatic Lift Scale</i>	
AUTOLIFT HE	95
<i>Pneumatic Control Box</i>	
AUTOLIFT HE	96
<i>Pneumatic Lift Scale</i>	
ROUGHDECK® QC-X	97
<i>4 x 4 Scale</i>	
ROUGHDECK® QC-X	98
<i>5 x 5 Scale</i>	
ROUGHDECK® QC QUICK CLEAN	99
<i>Stainless Steel</i>	
ROUGHDECK® SD	100
MILD STEEL ROUGHDECK® BDP PORTABILITY SCALE AND FRAME PARTS	102
STAINLESS STEEL ROUGHDECK® BDP PORTABILITY SCALE AND FRAME PARTS	103
DECKHAND PORTABLE SCALE	104
<i>Mild Steel</i>	
DECKHAND PORTABLE SCALE	106
<i>Stainless Steel</i>	
RL1200 PORTABLE BEAM SCALE	108
<i>Beam and Column Assembly</i>	
ROUGHDECK® FXB	110
<i>Mild Steel</i>	
ROUGHDECK® FXB	112
<i>Mild Steel Parts Kit and Hardware</i>	
ROUGHDECK® FXB-SS	114
<i>Stainless Steel</i>	
ROUGHDECK® FXB-SS	116
<i>Stainless Steel Parts Kit and Hardware</i>	
SUMMIT 3000	118

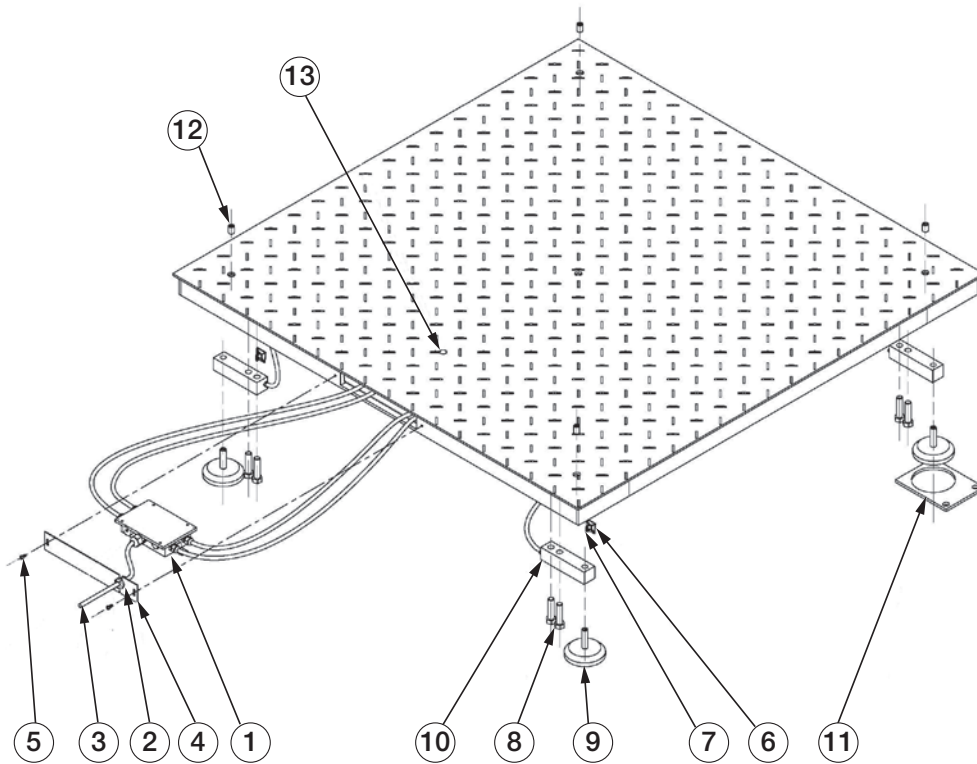
RoughDeck® HP, HP-H and HC



Part Number/Price

Ref#	Part#	Description	Price
1	88956	Junction box, NEMA Type 4X, 4 channel, signal trim	Consult
1	91895	Cable assembly, 17 in female quick connector (for scales with quick connector)	Consult
2	66454	Strain relief fitting	Consult
3	15611	Cable, 6-wire, 20 ft (blunt ends)	Consult
3	53640	Cable assembly, 20 ft with male quick connector (for scales with quick connector)	Consult
4	92437	Junction box face plate	Consult
5	14877	Junction box face plate screw	Consult
6	15658	Cable tie mount, 1 in square	Consult
7	15631	Cable ties, 3 in	Consult
8	15071	Load cell screw (HP/HC models)	Consult
8	40337	Load cell screw (HP-H models)	Consult
9	18756	Foot assembly (HP/HC models), 1/2-20NF x 3.47	Consult
9	39021	Foot assembly (20 k HP-H models)	Consult
9	39022	Foot assembly (30 k HP-H models)	Consult
10	189152	Load cell, RL32018-1000 lb (1,000 lb/500 kg & 2,000 lb/1,000 kg scale)	Consult
10	189154	Load cell, RL32018-2500 lb (5,000 lb/2,500 kg scale)	Consult
10	189156	Load cell, RL32018-4000 lb (10,000 lb/5,000 kg scale)	Consult
10	189159	Load cell, RL32018-10,000 lb (20,000 lb & 30,000 lb scales)	Consult
11	18777	Mounting plate, HP and HC models, set of two plates	Consult
11	40387	Mounting plate, 20 k HP-H models, set of two plates	Consult
11	40388	Mounting plate, 30 k HP-H models, set of two plates	Consult
12	15051	Overload stops (HC models)	Consult
13	15410	Bubble level (HC models)	Consult
—	14957	Top access screws, HP models	Consult
—	15022	Top access screws, HP-H models	Consult

(See Diagram RoughDeck HP-B)
 HC scales are Measurement Canada approved

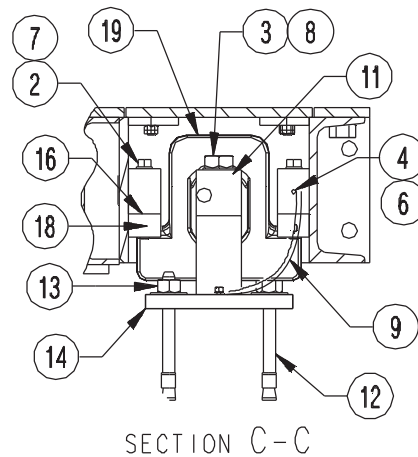
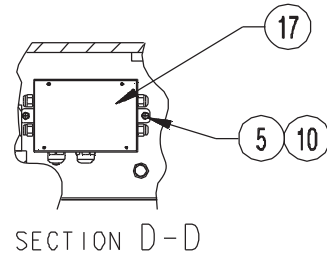
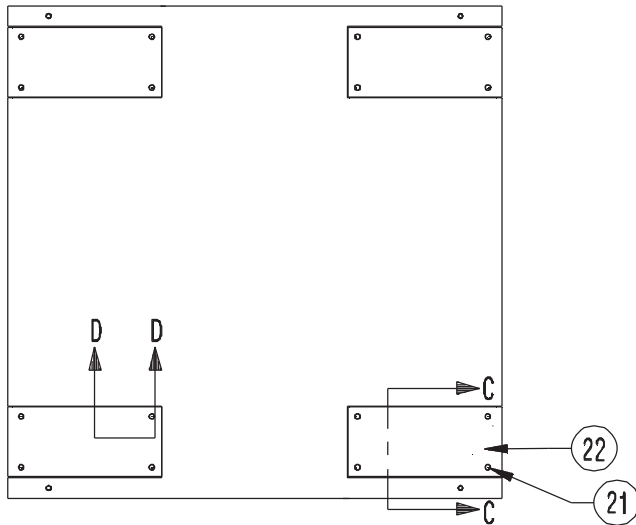


RoughDeck HP-B

Part Number/Price

Ref#	Part#	Description	Price
1	120662	Pocket End Plate	Consult
2	14765	Bolt, 1/2-13 NC x 4 in, LG hex head	Consult
3	37888	Bolt, 1-12 NC x 4 in, hex head	Consult
4	14886	Machine screw 1/4-28 UNF x 1/2 LG	Consult
5	15139	Lockwasher # 10	Consult
6	15147	Washer, lock 1/4 in regular	Consult
7	15167	Washer, lock 1/2 in regular	Consult
8	15184	Washer, 1 in plain	Consult
9	17778	Ground strap, 12 in	Consult
10	21974	Mach screw, 10 - 32NF x 5/8 in LG panhead	Consult
11	34317	Load cell, RL75058-50 k (for 40,000 lb or 60,000 lb scale)	Consult
11	34319	Load cell, RL75058-75 k (for 80,000 lb scale)	Consult
12	41973	Concrete anchor	Consult
13	43413	Nut, 3/4 - 10 NC heavy hex	Consult
14	108504	Base Wldt, 75 k capacity	Consult
16	67294	Shim plate, 1/8 in	Consult
17	107700	J-box TuffSeal, SST	Consult
18	107412	Mount load plate	Consult
19	108503	Rocker link, machined 75 k	Consult
20	67291	Shim plate, 1/16 in	Consult
21	15058	Screw 1/2 - 13 NC x 1 - 1/2 flat head SST	Consult
22	108398	Load cell, pocket cover	Consult
	15611	Cable, EL147HE 20 ft	Consult

(See Diagram RoughDeck-CS)



LOAD CELL OPTION:
 40K & 60K USE (4 EA.) PART #34317
 80K USE (4 EA.) PART #34319

RoughDeck-CS

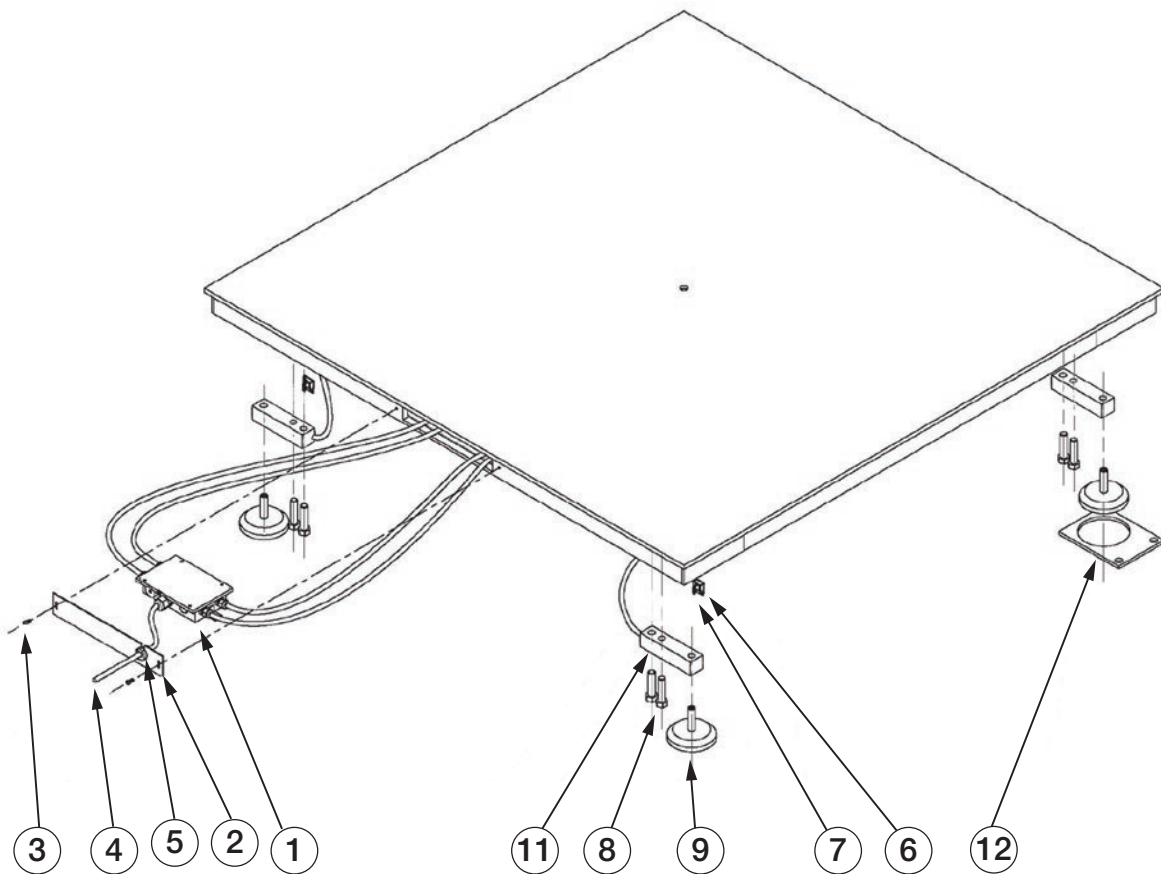
RoughDeck® SS



Part Number/Price

Ref#	Part#	Description	Price
1	88956	Junction box, NEMA Type 4X, 4-channel, signal trim	Consult
2	92439	Junction box faceplate	Consult
3	14877	Junction box faceplate screw	Consult
4	15611	Cable, EL147HE 6-wire, 20 ft	Consult
5	66454	Strain relief fitting	Consult
6	15658	Cable tie mount, 1 in square	Consult
7	15631	Cable tie, 3 in	Consult
8	15075	Load cell screw	Consult
9	18756	Foot assembly	Consult
11	189164	RL35023S 1,000 lb (1,000 lb/500 kg & 2,000 lb/1,000 kg scale)	Consult
11	189166	RL35023S 2,500 lb (5,000 lb/2,500 kg scale)	Consult
11	189167	RL35023S 4,000 lb (10,000 lb/5,000 kg scale)	Consult
12	18778	Mounting plate, stainless steel (set of two plates)	Consult
—	14960	Top access screws	Consult

(See Diagram RoughDeck SS-A)



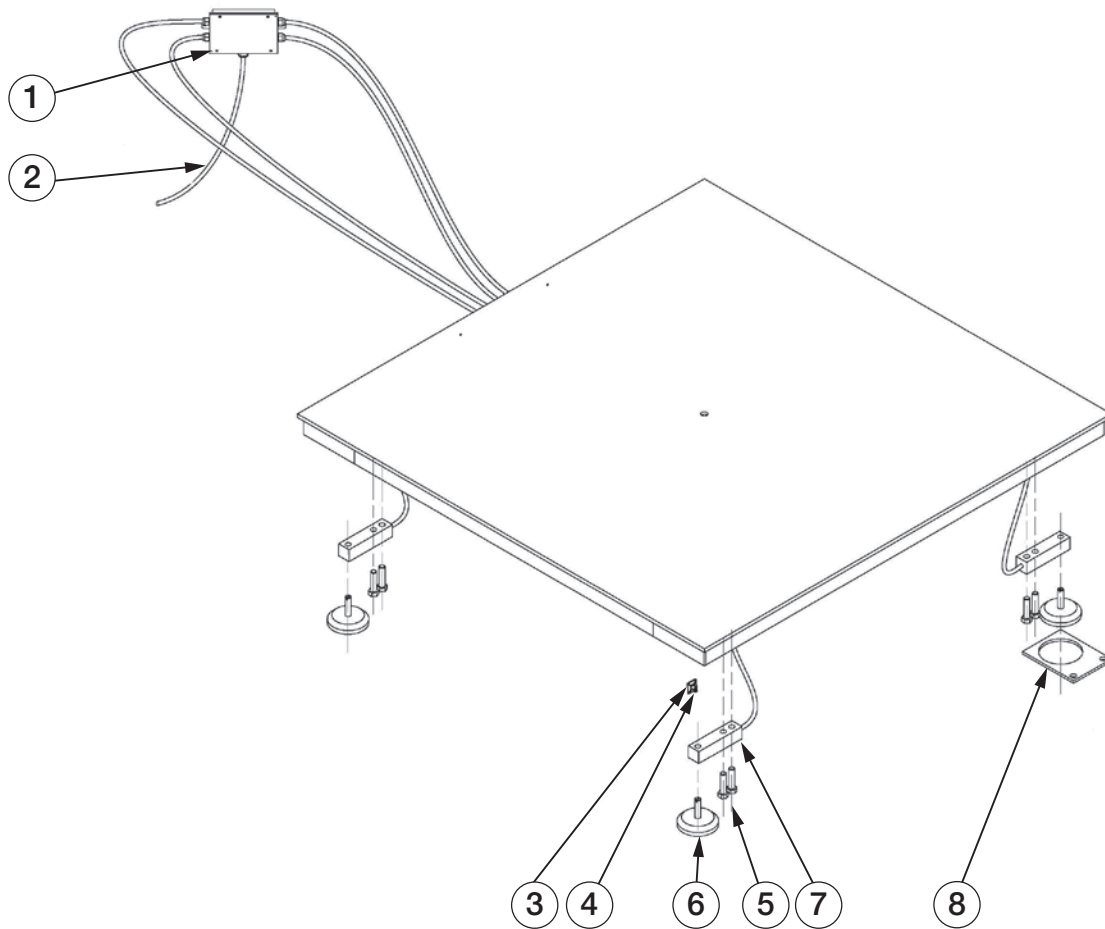
RoughDeck SS-A

Part Number/Price

Ref#	Part#	Description	Price
1	88956	Junction box, NEMA Type 4X, 4-channel signal trim	Consult
2	15611	Cable, EL147HE 6-wire, 20 ft	Consult
3	15658	Cable tie mount, 1 in square	Consult
4	15631	Cable tie, 3 in	Consult
5	46258	Load cell screw	Consult
6	18756	Foot assembly	Consult
7	106039	Load cell, RLH35 1,000 lb (2,000 lb/1,000 kg scale)	Consult
7	106040	Load cell, RLH35 2,500 lb (5,000 lb/2,500 kg scale)	Consult
7	106041	Load cell, RLH35 4,000 lb (10,000 lb/5,000 kg scale)	Consult
8	18778	Mounting plate, stainless steel (set of two plates)	Consult
—	51809	Plate with four cord grips	Consult
—	92439	Plate with 1 hole designed to work with strain relief	Consult
—	66454	Strain relief	Consult
—	14960	Top access screws	Consult



(See Diagram RoughDeck HE-A)

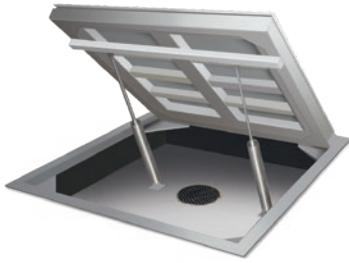


RoughDeck HE-A

Floor Scales

FLOOR SCALES

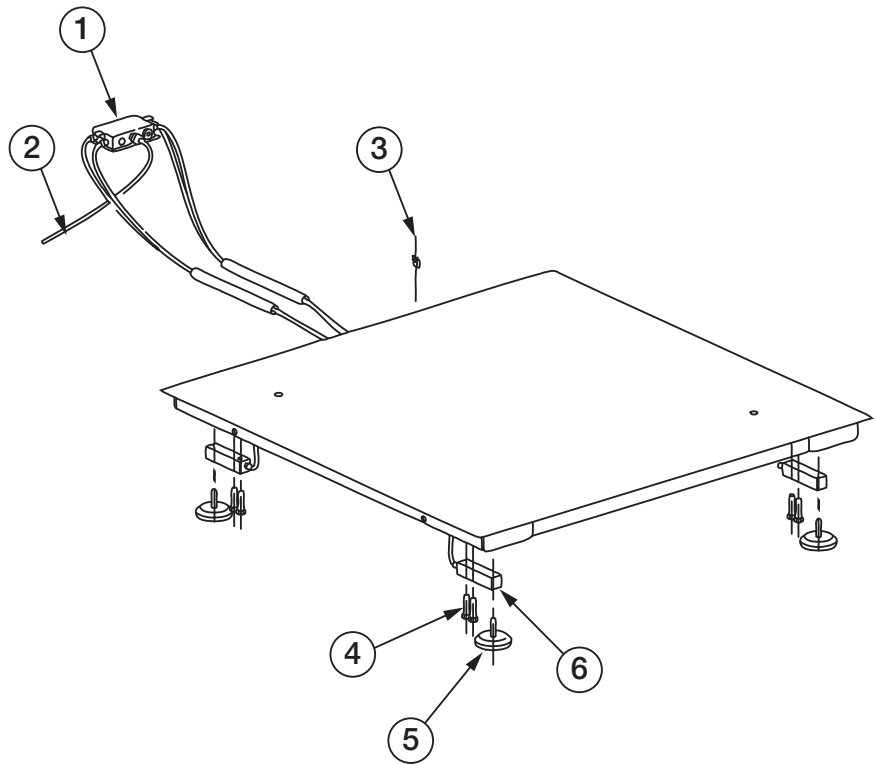
AutoLift HE
Pneumatic Lift Scale



Part Number/Price

Ref#	Part#	Description	Price
1	88956	Junction box, NEMA Type 4X, 4-channel, signal trim	Consult
2	15611	Cable, 6-wire, junction box to indicator	Consult
3	16141	Cable ties, 8 in (at back of assembly)	Consult
4	46258	Load cell screw	Consult
5	18756	Foot assembly	Consult
6	106039	Load cell, RLH35 1,000 lb (2,000 lb scale)	Consult
6	191635	Load cell, RLH35 2,500 lb (5,000 lb scale)	Consult
6	106041	Load cell, RLH35 4,000 lb (10,000 lb scale)	Consult

(See Diagram AutoLift HE-A)

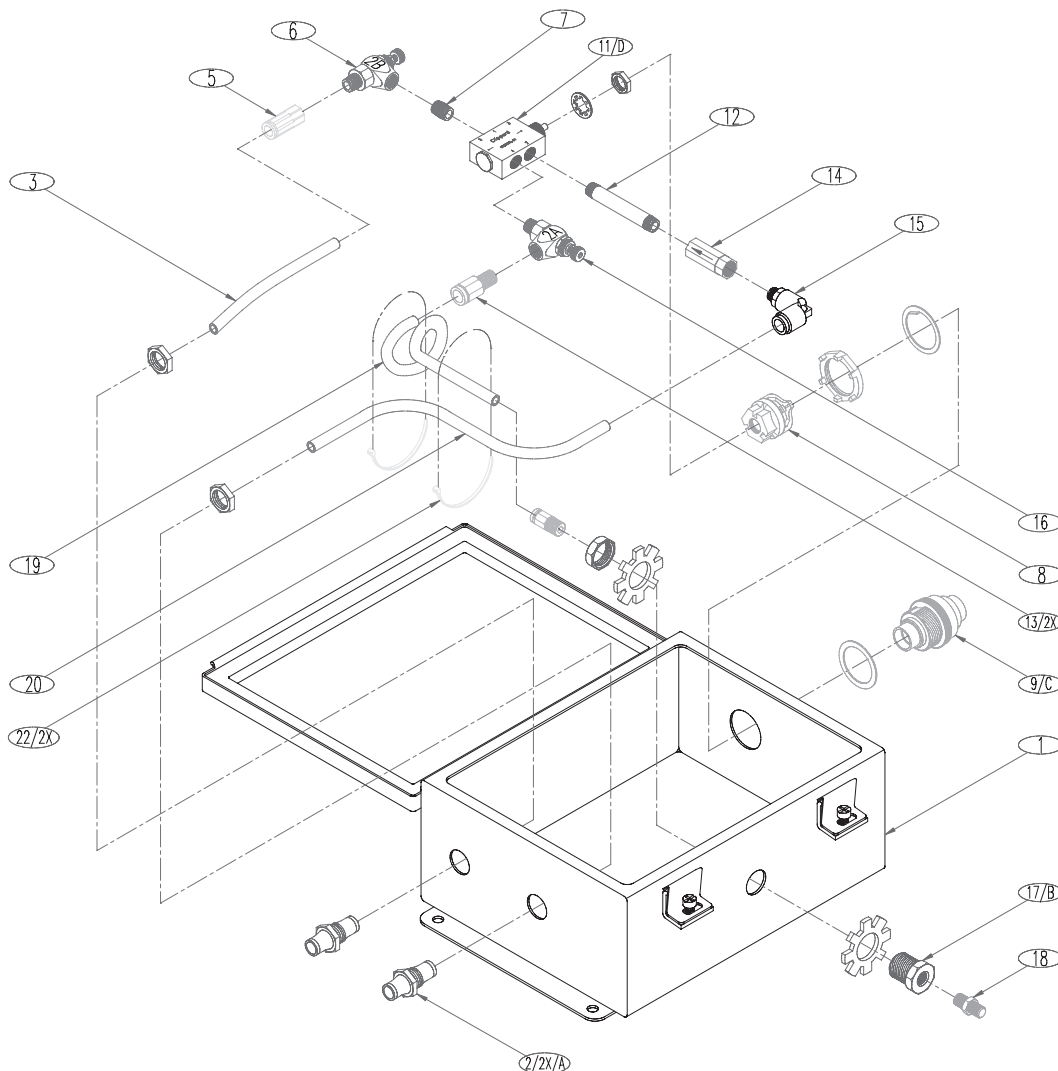


AutoLift HE-A

Part Number/Price

Ref#	Part#	Description	Price
1	42285	Enclosure, pneumatic	Consult
2	44175	Bulkhead connector, 5/16	Consult
3	42260	Tubing, clear polyurethane	Consult
5	42282	Fitting, 1/8 female	Consult
6	42281	Adjustable flow control	Consult
7	42268	Brass nipple, 1/8 NPT x 3/4 in	Consult
8	42280	Valve adapter, pushbutton	Consult
9	42279	Pushbutton, acuator, key	Consult
11	42277	Control valve, three way spool	Consult
12	42276	Brass nipple, 1/8 NPT x 2 in	Consult
13	42275	Fitting, 1/8 male straight	Consult
14	42274	Check valve, poppet type	Consult
15	42273	Fitting, 1/8 male elbow	Consult
16	42272	Adjustable flow control	Consult
17	42271	Fitting, 1/8 NPT bulkhead	Consult
18	42270	Muffler, 1/8 NPT porous	Consult
19	42259	Tubing, clear polyurethane	Consult
20	42258	Tubing, clear polyurethane	Consult
22	15631	Cable tie, 3 in nylon	Consult

(See Diagram AutoLift HE-B)

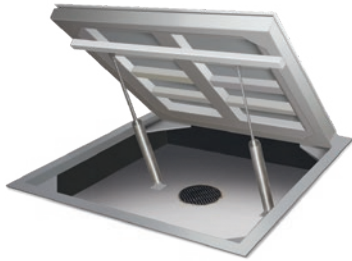


AutoLift HE-B

FLOOR SCALES

AutoLift HE

Pneumatic Lift Scale

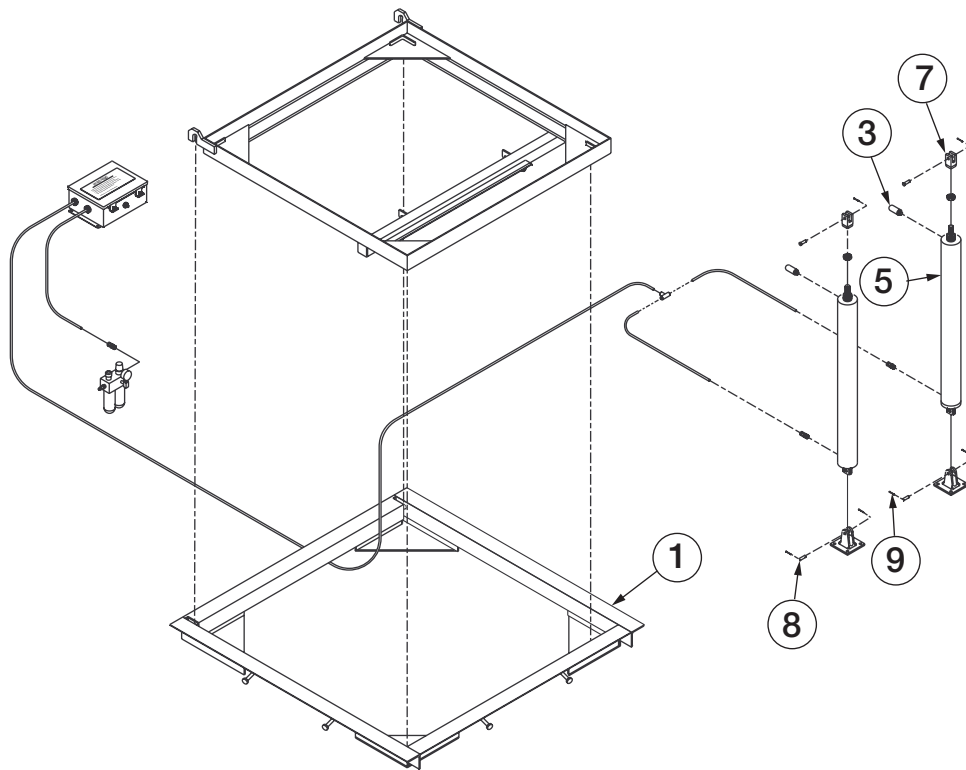


Part Number/Price

Ref#	Part#	Description	Price
	42267	Air filter/regulator and lubricator with semi automatic drain	Consult
	44141	Operating manual	Consult
1	41936	Pit coping WLDT, 4 ft x 4 ft	Consult
1	41937	Pit coping WLDT, 5 ft x 5 ft	Consult
3	42261	Exhaust muffler/filter	Consult
5	42265	Air cylinder, 5 ft x 5 ft, 3 in bore, 20 in stroke	Consult
5	42266	Air cylinder, 4 ft x 4 ft, 3 in bore, 15 in stroke	Consult
7	42263	Rod clevis, nut and cotter pins	Consult
8	42310	Clevis pin	Consult
9	35356	Cotter pin	Consult

(See Diagram AutoLift HE-C)

Floor Scales

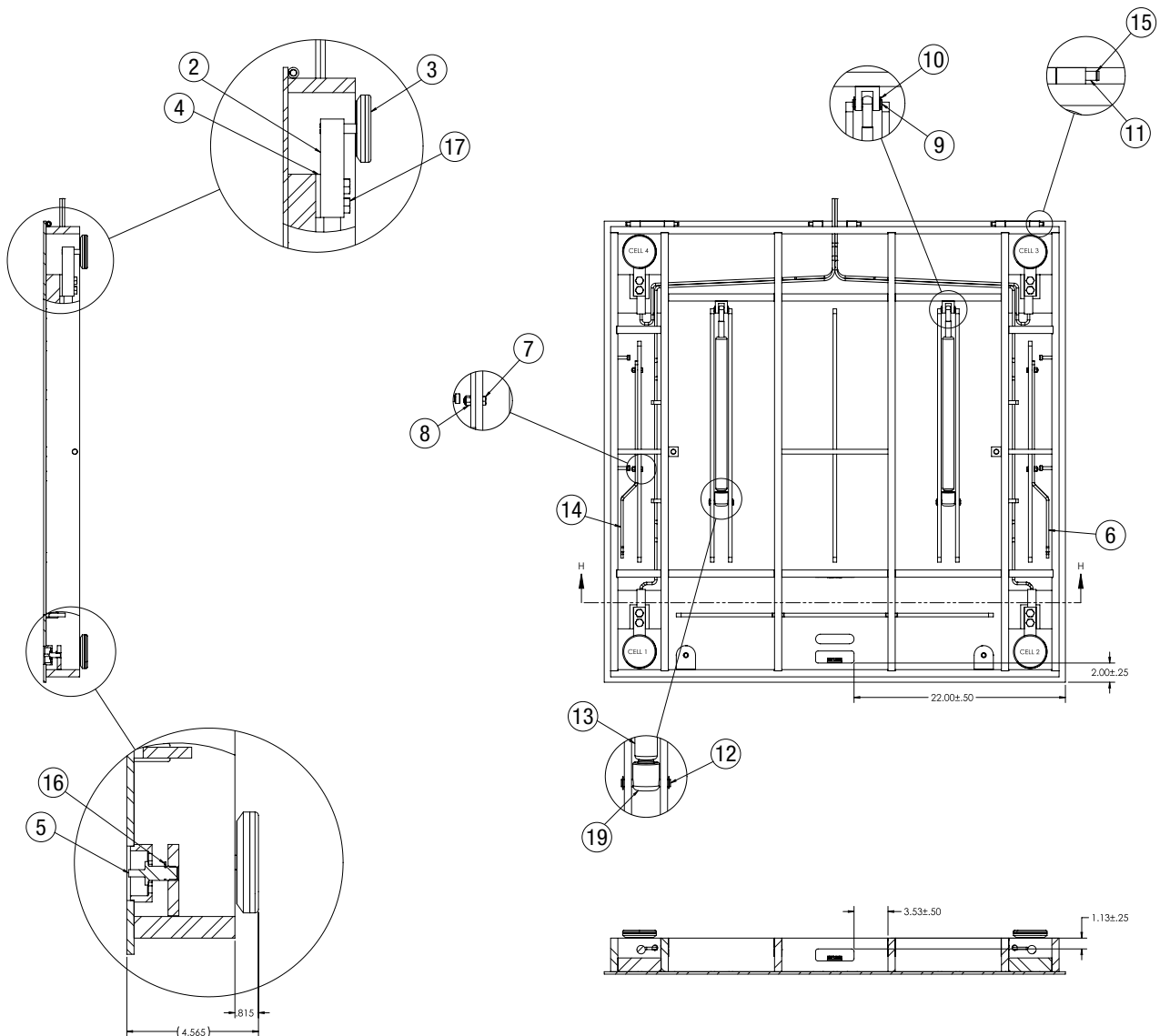


AutoLift HE-C

FLOOR SCALES
RoughDeck® QC-X
 4 x 4 Scale

Part Number/Price

Ref#	Part#	Description	Price
2	173856	Load cell, SEB RL35023-N5-2.5 K, 5 K scale	Consult
2	173857	Load cell, SEB RL35082-4 K, 10K scale	Consult
3	18756	Foot	Consult
4	18411	Shim plate	Consult
5	175972	Corner lock knob	Consult
6	176519	Safety bar left	Consult
7	35088	Screw, cap 1/4-20NC x 1 hex	Consult
8	14634	Nut, lock 1/4-20NC hex sst	Consult
9	175899	Pin: Hinge: 3/8 in dia x 1.53 in long: sst	Consult
10	175897	Retaining ring	Consult
11	47715	Pin: Hinge: 5/16 in dia x 5 in long: sst	Consult
12	175900	Pin: Hinge: 3/8 in dia x 2.56 in long: sst	Consult
13	176545	Gas spring	Consult
14	176520	Safety bar right	Consult
15	47714	Ring, retaining 5/16 shaft	Consult
16	47713	Ring, retaining 1/2 in shaft	Consult
17	176339	Screw, cap 1/2-20NF x 2-1/4	Consult
19	176164	Large end fitting	Consult



Floor Scales

FLOOR SCALES

RoughDeck® QC-X

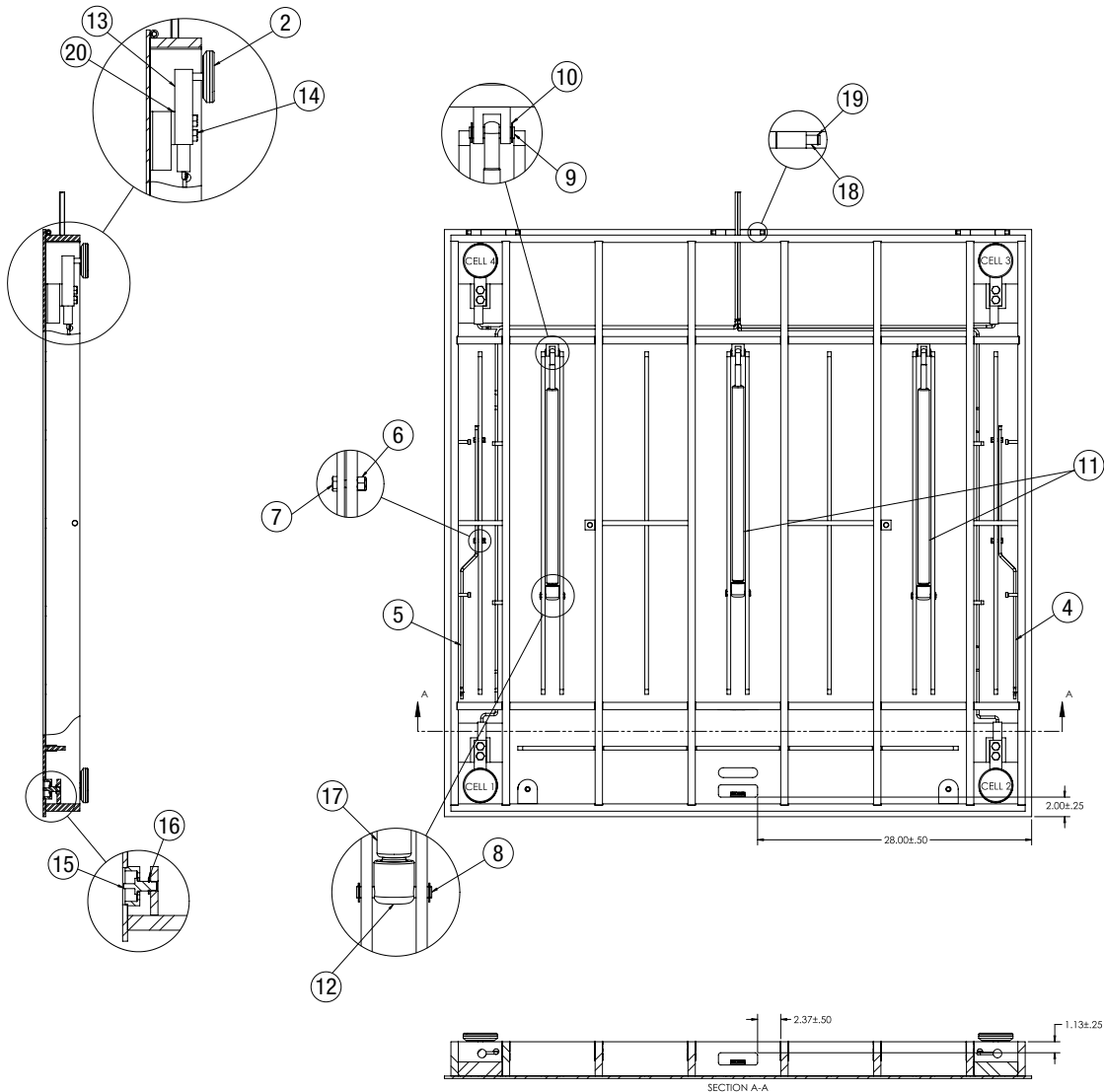
5 x 5 Scale



Part Number/Price

Ref#	Part#	Description	Price
2	18756	Foot	Consult
4	175974	Safety bar left	Consult
5	175975	Safety bar right	Consult
6	14634	Nut, lock 1/4-20NC hex sst	Consult
7	35088	Screw, cap 1/4-20 NC x 1 hex	Consult
8	175900	Pin: Hinge: 3/8 in dia x 2.56 in long: sst	Consult
9	175899	Pin: Hinge: 3/8 in dia x 1.53 in long: sst	Consult
10	175897	Retaining ring	Consult
11	176162	Gas spring	Consult
12	176164	Large end fitting	Consult
13	173856	Load cell, SEB RL35023-N5-2.5 K, 5 K scale	Consult
13	173857	Load cell, SEB RL35082-4 K, 10 K scale	Consult
14	176339	Screw, cap 1/2-20 NF x 2-1/4	Consult
15	175972	Corner lock knob	Consult
16	47713	Ring, retaining 1/2 in shaft	Consult
17	176163	Gas spring	Consult
18	47715	Pin: Hinge: 5/16 in dia x 5 in long: sst	Consult
19	47714	Ring, retaining 5/16 shaft	Consult
20	18411	Shim plate	Consult

Floor Scales



RoughDeck® QC Quick Clean

Stainless Steel

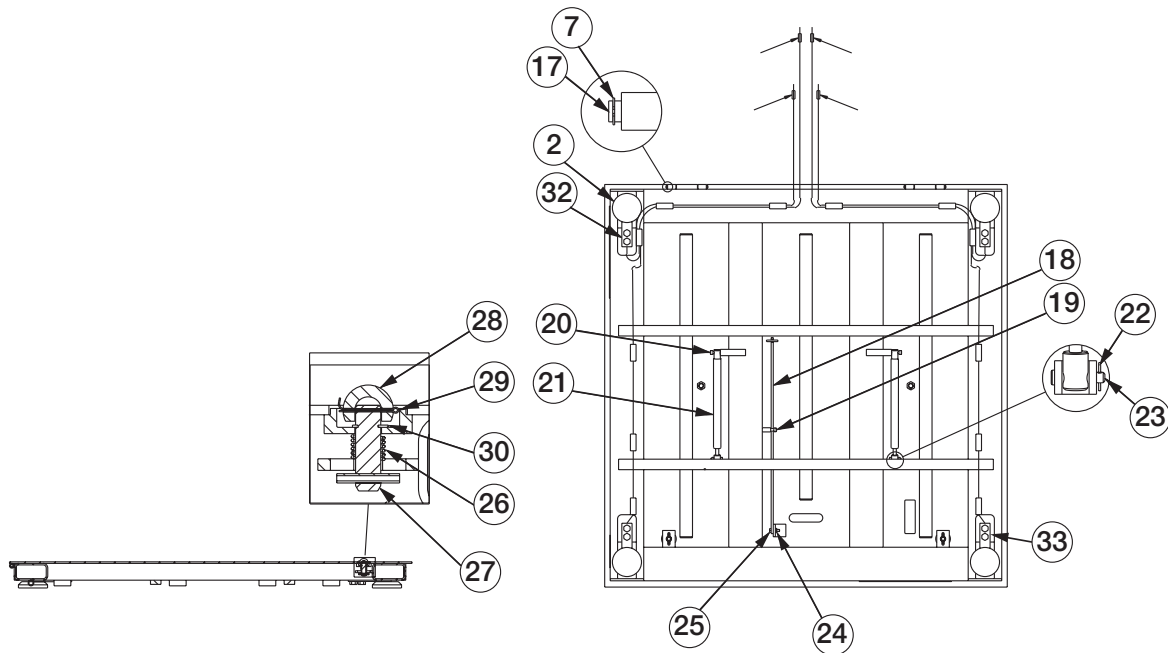
Part Number/Price

Ref#	Part#	Description	Price
	88956	RoughDeck 4-channel junction box	Consult
2	18756	Foot assembly	Consult
7	47714	Retaining ring, 5/16 in shaft	Consult
17	47715	Hinge pin, 5/16 in diameter	Consult
18	47718	Safety latch	Consult
19	14994	Cap screw, 5/16-24 NF x 1	Consult
20	15000	Cap screw, 5/16-18 NC x 1 3/4	Consult
21	47690	Gas spring, 20 in extended, 4 ft x 4 ft and larger	Consult
21	53378	Gas spring, 14.75 in extended, 3 ft x 3 ft and smaller	Consult
22	15233	Cotter pin, 1/8 in x 3/4 in	Consult
23	47712	Clevis pin, 5/16 in x 1 1/2 in	Consult
24	14634	Lock nut, 1/4-20 NC hex	Consult
25	35088	Cap screw, 1/4-20 NC x 1 hex	Consult
26	40044	Blank trigger spring	Consult
27	48682	Corner lock sub-assembly	Consult
28	47691	Corner lock knob, SST	Consult
29	52517	Cotter pin, 1/16 in x 1 in	Consult
30	47713	Retaining ring, 1/2 in shaft	Consult
32	106039	RLH35 - load cell, 1,000 lb (2,000 lb scale)	Consult
32	191635	RLH35 - load cell, 2,500 lb (5,000 lb scale)	Consult
32	106041	RLH35 - load cell, 4,000 lb (10,000 lb scale)	Consult
33	46258	Load Cell Mount Bolts	Consult
	15611	Cable, EL147HE 20 ft	Consult



Floor Scales

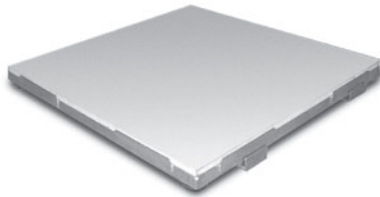
(See Diagram RoughDeck QC-A)



RoughDeck QC-A

FLOOR SCALES

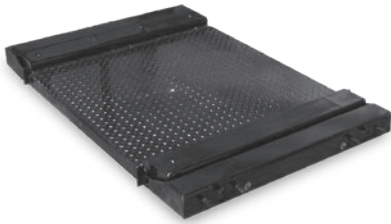
RoughDeck® SD



Part Number/Price

Part#	Description	Price
51857	Top plate, 2.5 ft x 2.5 ft (.76 m x .76 m)	Consult
51856	Top plate, 3 ft x 3 ft (.91 m x .91 m)	Consult
50362	Top plate, 4 ft x 4 ft (1.21 m x 1.21 m)	Consult
51855	Top plate, 4 ft x 5 ft (1.21 m x 1.52 m)	Consult
51854	Top plate, 5 ft x 5 ft (1.52 m x 1.52 m)	Consult
51853	Top plate, 5 ft x 7 ft (1.52 m x 2.13 m)	Consult
88956	Junction box, JB4SS 4-channel	Consult
106039	Load cells for 2K scales	Consult
106040	Load cells for 5K scales	Consult
106041	Load cells for 10K scales	Consult
18756	Feet	Consult
15611	Homerun cable	Consult

Mild Steel RoughDeck® BDP Portability Scale and Frame Parts

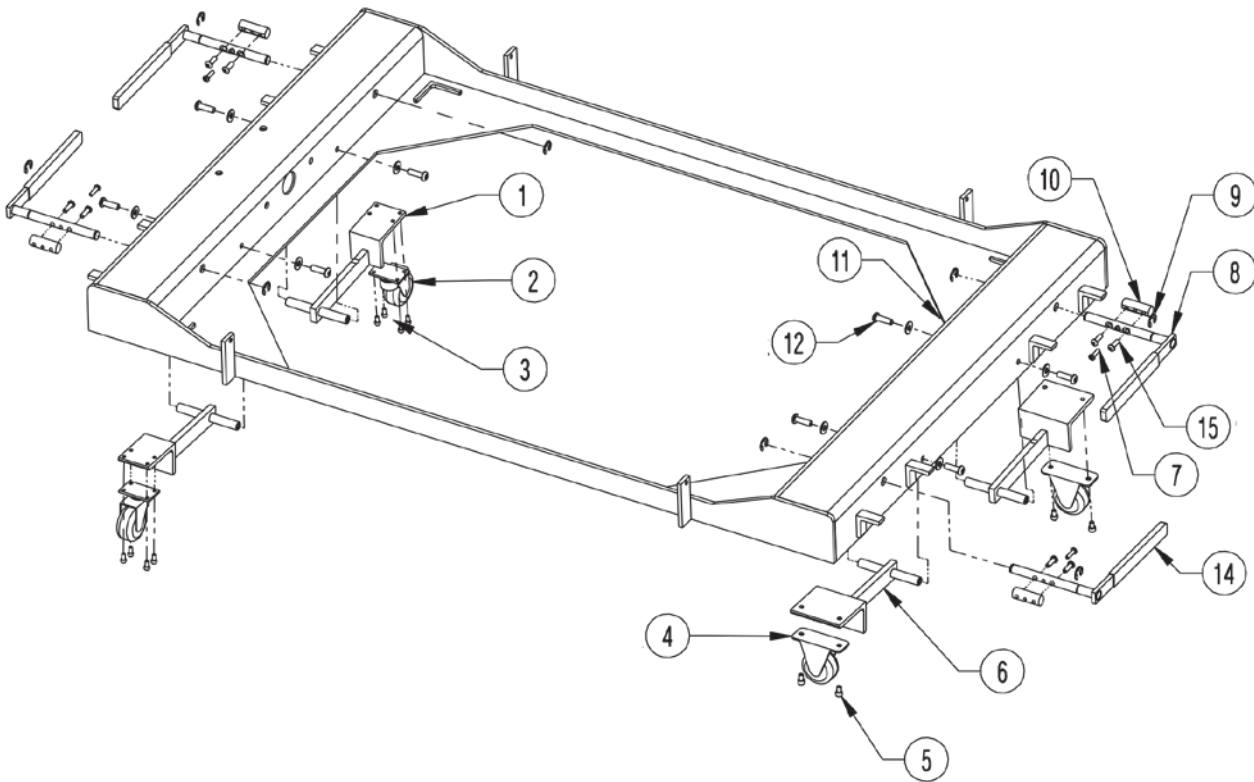


Part Number/Price

Ref#	Part#	Description	Price
	18756	Foot, SUREFOOT	Consult
	88956	Junction box, 4 channel, signal trim	Consult
	189152	Load cell, RL32018-1 k (1,000 lb & 2,500 lb scale)	Consult
Mild Steel			
1	78426	Swivel caster support (2)	Consult
2	78841	Caster swivel (2)	Consult
3	14931	Cap screw, 10 - 32 NF x 3/8 (8)	Consult
4	78842	Caster rigid (2)	Consult
5	14952	Screw, 1/4 - 20 NC (4)	Consult
6	78430	Caster support (2)	Consult
7	14938	Cap screw, 10 - 32 NF x 3/4 (4)	Consult
8	78437	Caster handle (4)	Consult
9	79418	Retaining ring (8)	Consult
10	78988	Cam (4)	Consult
11	79024	Nylon washer 5/16 in (8)	Consult
12	72359	Screw, 5/16 - 18 NC 3/4 (8)	Consult
14	78434	Grip handle (4)	Consult
15	41251	Cap screw, 1/4 - 20 NC x 3/4 (8)	Consult

(See Diagram RoughDeck BDP-A)
 Diagram parts are for the optional portability kit

Floor Scales



RoughDeck BDP-A

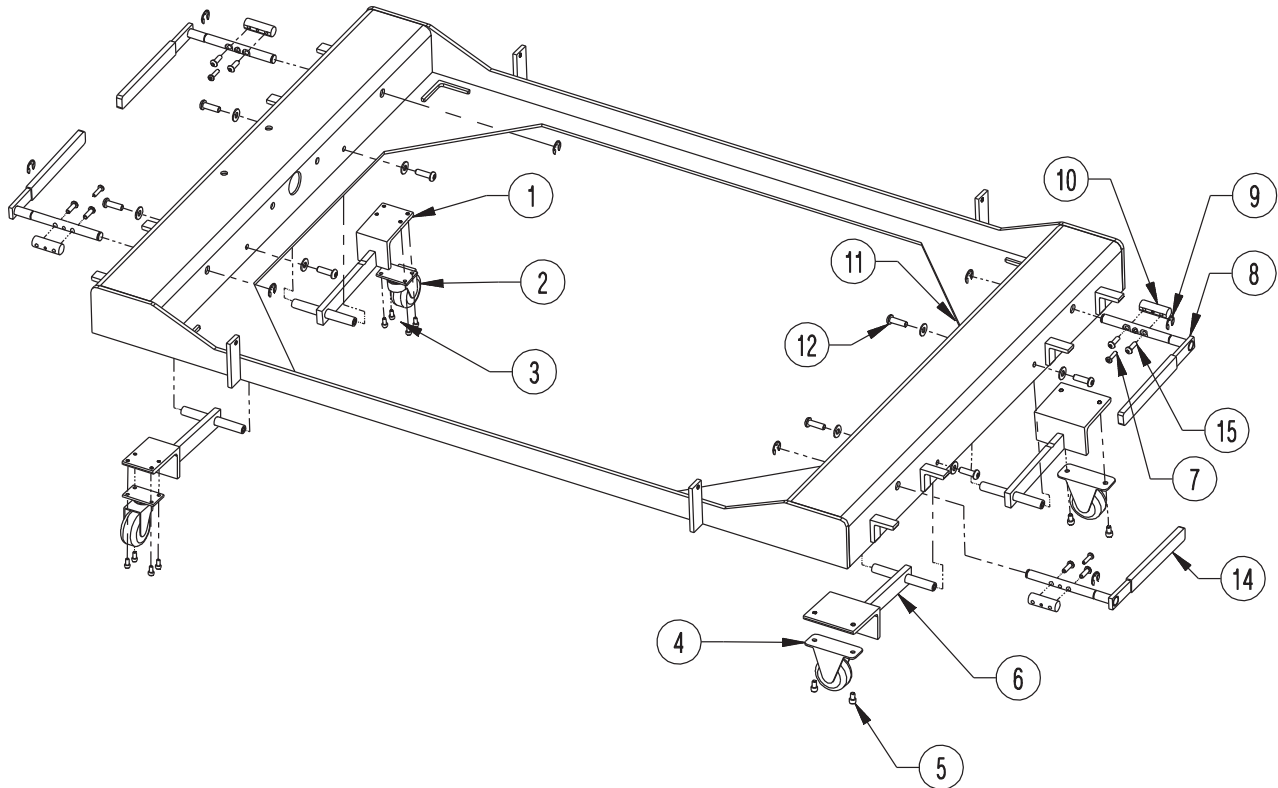
Stainless Steel RoughDeck® BDP Portability Scale and Frame Parts

Part Number/Price

Ref#	Part#	Description	Price
	18756	Foot, SUREFOOT	Consult
	88956	Junction box, 4 channel, signal trim	Consult
	189164	Load cell, RL32018S-1 k (1,000 lb & 2,500 lb scales stainless steel version)	Consult
Stainless Steel			
1	78463	Swivel caster support (2)	Consult
2	78841	Caster swivel (2)	Consult
3	79119	Cap screw, 10 - 32NF x 3/8 (8)	Consult
4	78842	Caster rigid (2)	Consult
5	35129	Screw, 1/4 - 20 NC (4)	Consult
6	78467	Caster support (2)	Consult
7	79073	Cap screw, 10 - 32NF x 3/4 (4)	Consult
8	78437	Caster handle (4)	Consult
9	47713	Retaining ring (8)	Consult
10	78988	Cam (4)	Consult
11	79024	Nylon washer 5/16 (8)	Consult
12	79133	Screw, 5/16 - 18NC 3/4 (8)	Consult
14	78434	Grip handle (4)	Consult
15	41251	Cap screw, 1/4 - 20 NC x 3/4 (8)	Consult



(See Diagram RoughDeck BDP-B)
Diagram parts are for the optional portability kit



RoughDeck BDP-B

Floor Scales

FLOOR SCALES

DeckHand Portable Scale

Mild Steel



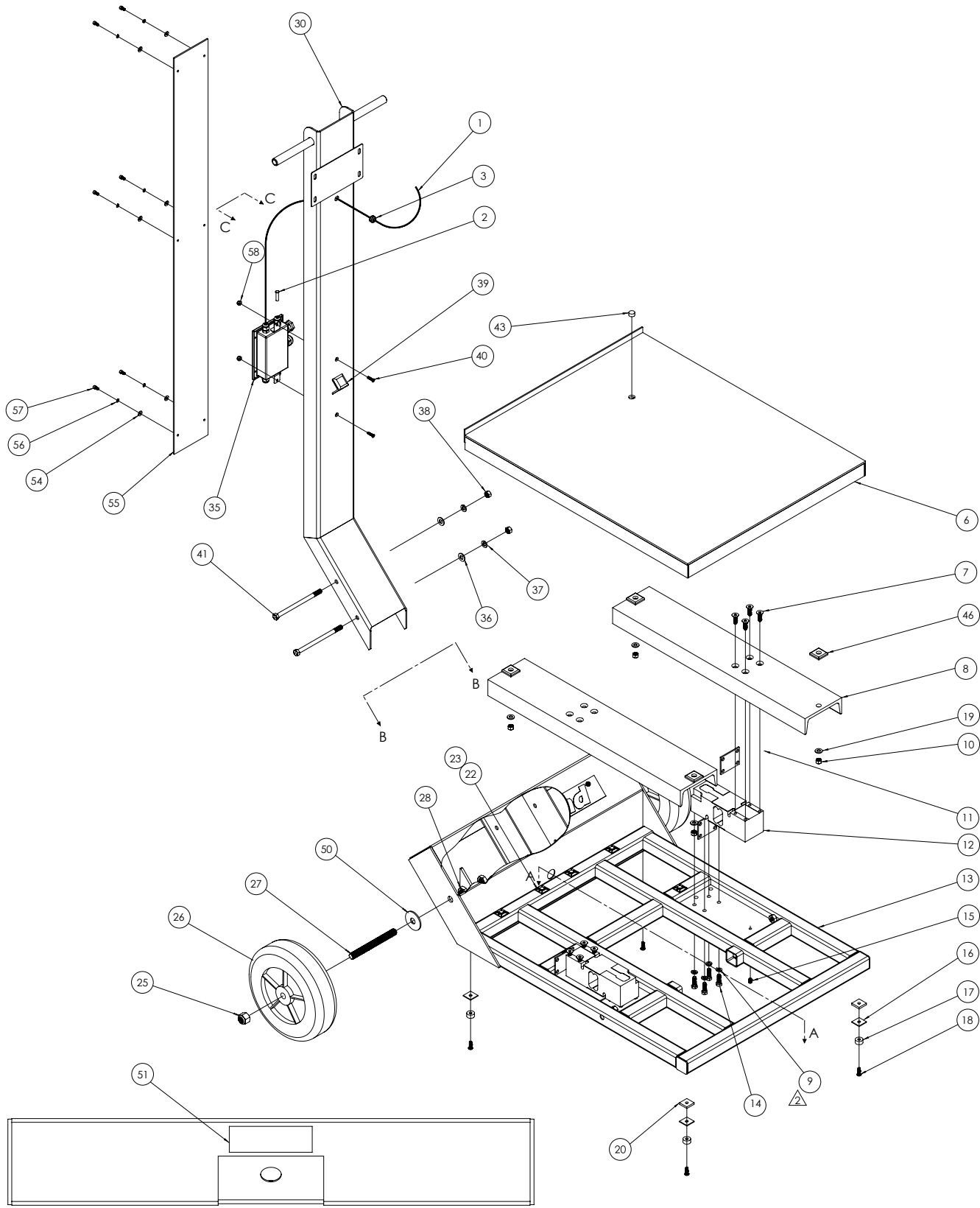
Part Number/Price

Ref#	Part#	Description	Price
1	15494	Cable, 4-conductor, 3 1/2 ft	Consult
3	15398	Grommet, rubber 1/2 x 1/4	Consult
6	40986	Upper platter (DH-500, DH-1000)	Consult
	42654	Upper platter (DH-2000)	Consult
7	14996	Cap screw, 5/16-18 NC x 1	Consult
8	41002	Load cell channels (DH-500)	Consult
	41002	Load cell channels (DH-1000)	Consult
	42664	Load cell channels (DH-2000)	Consult
9	21939	Flat washer, 5/16	Consult
10	14646	Lock nut, 5/16-18 NC, hex	Consult
11	41003	Shim, load cell	Consult
12	41024	Load cell, RL1260 - 500 lb scale	Consult
12	41026	Load cell, RL1260 - 1,000 lb scale	Consult
12	41027	Load cell, RL1260 - 2,000 lb scale	Consult
13	40983	Base platform (DH-500, DH-1000)	Consult
	42616	Base platform (DH-2000)	Consult
14	26667	Cap screws, 5/16-18NC x 1	Consult
15	14989	Overload stop set screw, 5/16 x 18NC x 1/2	Consult
16	41004	Base shim, ramp end	Consult
17	41267	Scale base bumper, 3/4	Consult
18	14964	Cap screw, 1/4-20NC x 3/4	Consult
19	15153	Lock washer, 5/16	Consult
22	15658	Cable tie mount	Consult
23	15631	Cable tie, 3 in	Consult
25	40181	Lock nut, 5/8-11NC	Consult
26	41268	Wheel, 10 dia. x 5/8 bore	Consult
27	41005	Axle, 5/8-11 x 6	Consult
28	14676	Jam nut, 5/8-11NC	Consult
29	41266	Handle grip, 3/4 I.D.	Consult
30	40987	Mast, 57-13/16 x 15	Consult
35	88956	Junction box, four channel	Consult
36	21938	Flat washer, 3/8	Consult
37	15159	Lock washer, 3/8	Consult
38	14656	Hex nut, 3/8-16NC	Consult
39	41108	Dampener strip, ramp stop	Consult
40	14908	Cap screw, 10-32NF x 3/4	Consult
41	41254	Cap screw, 3/8-16NC x 6	Consult
43	15410	Bubble level	Consult
46	44149	Bumper cushion, self-adhesive	Consult
50	15176	Nylon washer, 5/8	Consult
51	46259	Column back plate	Consult
52	14932	Cap screw, 10-32NF x 3/8	Consult
53	47726	Base shim, all corners	Consult

(See Diagram DeckHand Mild Steel)

FLOOR SCALES
DeckHand Portable Scale
 Mild Steel

Floor Scales



VIEW B-B

DeckHand Mild Steel

FLOOR SCALES

DeckHand Portable Scale

Stainless Steel

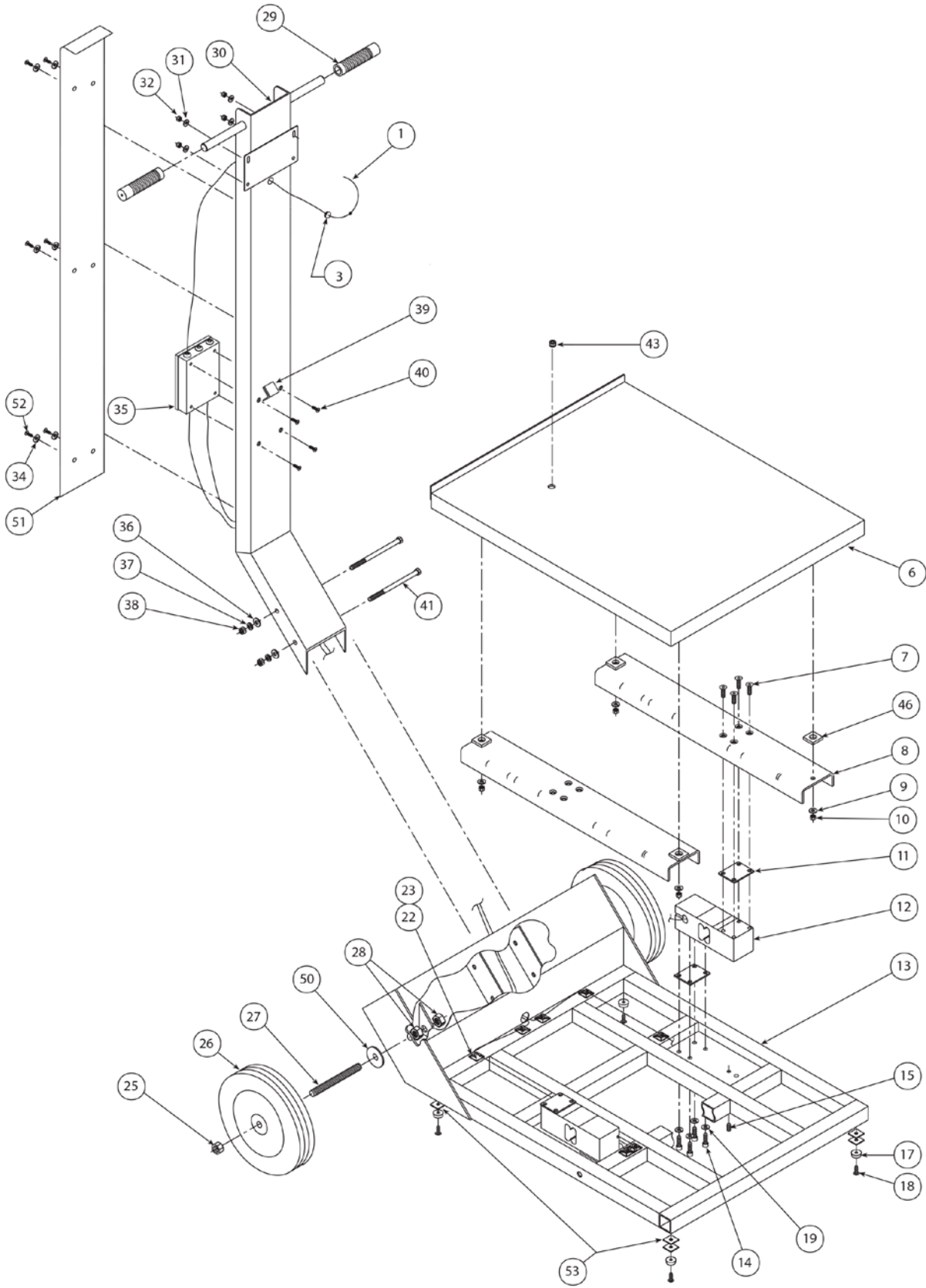


Part Number/Price

Ref#	Part#	Description	Price
1	44187	Cable, 6-conductor, 3 1/2 ft	Consult
3	15377	Grommet, rubber 1/2 x 1/4	Consult
6	41181	Upper platter (DH-500, DH-1000)	Consult
	42655	Upper platter (DH-2000)	Consult
7	41250	Cap screw, 5/16-18 NC x 1	Consult
8	41197	Load cell channels (DH-500)	Consult
	42665	Load cell channels (DH-1000)	Consult
	42653	Load cell channels (DH-2000)	Consult
9	44237	Flat washer, 5/16	Consult
10	35170	Lock nut, 5/16-18 NC, hex	Consult
11	41198	Shim, load cell	Consult
12	41024	Load cell, RL1260 - 500 lb scale	Consult
12	41026	Load cell, RL1260 - 1,000 lb scale	Consult
12	41027	Load cell, RL1260 - 2,000 lb scale	Consult
13	41178	Base platform (DH-500, DH-1000)	Consult
	42617	Base platform (DH-2000)	Consult
14	26670	Cap screws, 5/16-18NC x 1	Consult
15	21933	Overload stop set screw, 5/16 x 18NC x 1/2	Consult
16	41199	Base shim, ramp end	Consult
17	41267	Scale base bumper, 3/4	Consult
18	41251	Cap screw, 1/4-20NC x 3/4	Consult
19	15154	Lock washer, 5/16	Consult
22	15658	Cable tie mount	Consult
23	15631	Cable tie, 3"	Consult
25	41249	Lock nut, 5/8-11NC	Consult
26	41268	Wheel, 10 dia. x 5/8 bore	Consult
27	41200	Axle, 5/8-11 x 6	Consult
28	14680	Jam nut, 5/8-11NC	Consult
29	41266	Handle grip, 3/4 I.D.	Consult
30	41182	Mast, 57-13/16 x 15	Consult
35	88956	Junction box, four channel	Consult
36	15161	Flat washer, 3/8	Consult
37	15160	Lock washer, 3/8	Consult
38	14655	Hex nut, 3/8-16NC	Consult
39	41108	Dampener strip, ramp stop	Consult
40	41253	Cap screw, 10-32NF x 3/4	Consult
41	41257	Cap screw, 3/8-16NC x 6	Consult
43	15410	Bubble level	Consult
46	44149	Bumper cushion, self-adhesive	Consult
50	15176	Nylon washer, 5/8	Consult
51	46260	Column back plate	Consult
52	46337	Cap screw, 10-32NF x 3/8	Consult
53	47727	Base shim, all corners	Consult

(See Diagram DeckHand Stainless Steel)

FLOOR SCALES
DeckHand Portable Scale
 Stainless Steel



DeckHand Stainless Steel

Floor Scales

FLOOR SCALES

RL1200 Portable Beam Scale

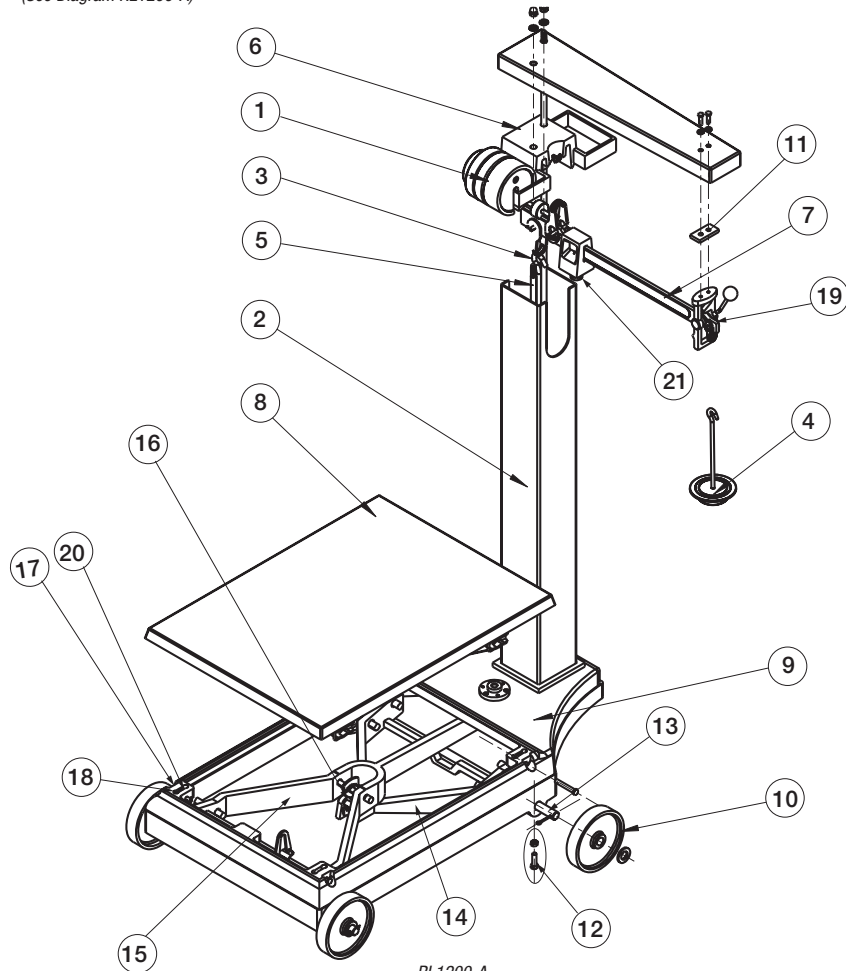
Beam and Column Assembly



Part Number/Price

Ref#	Part#	Description	Price
1	162236	Counterpoise weights, (1) 50 kg, (2) 100 kg, (1) 200 kg	Consult
1	162237	Counterpoise weights, (1) 100 lb, (2) 200 lb, (1) 400 lb	Consult
2	162239	Pillar	Consult
3	162240	Steelyard rod	Consult
4	162241	Counterpoise assembly, kg	Consult
4	162242	Counterpoise assembly, lb	Consult
5	162243	Pillar rod, set of 2	Consult
6	162244	Weight rack	Consult
7	162301	Beam assembly (includes poise weight)	Consult
7	162302	Beam assembly (includes poise weight)	Consult
8	162246	Platform	Consult
9	162247	Base frame (not incl. levels)	Consult
10	162248	Wheel	Consult
11	162249	Trig loop shim	Consult
12	162250	Axle set bolt with nut, set of 4	Consult
13	162251	Axle, set of 2	Consult
14	162252	Short lever (includes pivots)	Consult
15	162253	Long lever (includes pivot)	Consult
16	162254	Center connection with bearings	Consult
17	162255	Fulcrum loop support pin, set of 4	Consult
18	162256	Fulcrum loop with bearing, set of 4	Consult
19	162258	Trig loop	Consult
20	162257	Load and fulcrum pivots for long and short level, set of 8	Consult
21	206582	Thumb screw for poise weight	Consult

(See Diagram RL1200-A)



RL1200-A

FLOOR SCALES

RoughDeck® FXB

Mild Steel



Scale Size	Scale Capacity (lbs)	Profile (Inches)	Fulcrum Flexure (4 ea.)	Load Flexure (4 ea.)	Center Flexure (1 ea.)	Pull Cable/Wire Rope	Load Cell	Load Cell Spacer
-	-	1	2	3	4	5	6	
18 in x 24 in	500	6.50	33304	33304	33306	115292	21432	N/A
18 in x 24 in	1000	6.50	33304	33304	33306	115292	21434	N/A
18 in x 30 in	500	6.50	33304	33304	33306	115292	21432	N/A
18 in x 30 in	1000	6.50	33304	33304	33306	115292	21434	N/A
18 in x 30 in	1500	6.50	33304	33304	33306	115292	21435	N/A
24 in x 24 in	500	6.50	33304	33304	33306	115292	21432	N/A
24 in x 24 in	1000	6.50	33304	33304	33306	115292	21434	N/A
30 in x 30 in	500	6.50	33304	33304	33306	115292	21432	N/A
30 in x 30 in	1000	6.50	33304	33304	33306	115292	21434	N/A
30 in x 30 in	1500	6.50	33304	33304	33306	115292	21435	N/A
30 in x 30 in	2000	8.25	33303	33087	33305	33084	21436	33425
36 in x 36 in	1000	8.25	33303	33087	33305	33084	21436	33425
36 in x 36 in	2000	8.25	33303	33087	33305	33084	21436	33425
36 in x 36 in	5000	8.25	33303	33087	33305	33084	21437	33425
38 in x 46 in	1000	8.25	33303	33087	33305	33084	21436	33425
38 in x 46 in	2000	8.25	33303	33087	33305	33084	21436	33425
38 in x 46 in	5000	8.25	33303	33087	33305	33084	21437	33425
38 in x 46 in	10000	8.25	33303	33087	33305	33084	21439	33425
48 in x 48 in	1000	8.25	33303	33087	33305	33084	21436	33425
48 in x 48 in	2000	8.25	33303	33087	33305	33084	21436	33425
48 in x 48 in	5000	8.25	33303	33087	33305	33084	21437	33425
48 in x 48 in	7000	9.25	33302	33087	33305	33084	21438	33425
48 in x 48 in	10000	9.25	33302	33087	33305	33084	21438	33425
48 in x 48 in	20000	13.25	33086	33307	33087	*	*	33425
48 in x 60 in	2000	8.25	33303	33087	33305	33084	21436	33425
48 in x 60 in	5000	8.25	33303	33087	33305	33084	21436	33425
48 in x 60 in	10000	9.25	33302	33087	33305	33084	21438	33425
48 in x 60 in	20000	13.25	33086	33307	33087	*	*	33425
48 in x 72 in	2000	8.25	33303	33087	33305	33084	21436	33425
48 in x 72 in	5000	9.25	33303	33087	33305	33084	21436	33425
48 in x 72 in	10000	9.25	33302	33087	33305	33084	21438	33425
48 in x 72 in	20000	13.25	33086	33307	33087	*	*	33425
60 in x 60 in	2000	8.25	33303	33087	33305	33084	21436	33425
60 in x 60 in	5000	8.25	33303	33087	33305	33084	21436	33425
60 in x 60 in	10000	9.25	33302	33087	33305	33084	21438	33425
60 in x 60 in	20000	13.25	33086	33307	33087	*	*	33425
60 in x 72 in	5000	10.25	33086	33307	33305	33084	21436	33425
60 in x 72 in	10000	10.25	33086	33307	33305	33084	21438	33425
60 in x 72 in	20000	13.25	33086	33307	33087	*	*	33425
60 in x 84 in	5000	10.25	33086	33307	33305	33084	21438	33425
60 in x 84 in	10000	13.25	33086	33307	33087	*	*	33425
60 in x 84 in	20000	13.25	33086	33307	33087	*	*	33425
72 in x 72 in	20000	*	33086	33307	33087	*	*	33425
72 in x 96 in	5000	13.25	33086	33307	33087	33084	21438	33425
72 in x 96 in	10000	13.25	33086	33307	33087	*	*	33425
72 in x 96 in	20000	15.25	33086	33307	33087	*	*	33425
84 in x 108 in	5000	*	33086	33307	33087	33084	21438	33425
84 in x 108 in	10000	15.25	33086	*	33087	33084	21439	33425
84 in x 108 in	20000	15.25	33086	*	33087	*	*	33425
96 in x 120 in	10000	15.25	33086	33307	33087	*	*	33425
96 in x 120 in	20000	17.50	33086	33307	*	*	*	33425
96 in x 120 in	30000	19.50	**33086	**33307	*	*	*	33425

*- Consult factory

1a - Consists of two check link angles and necessary mounting hardware.

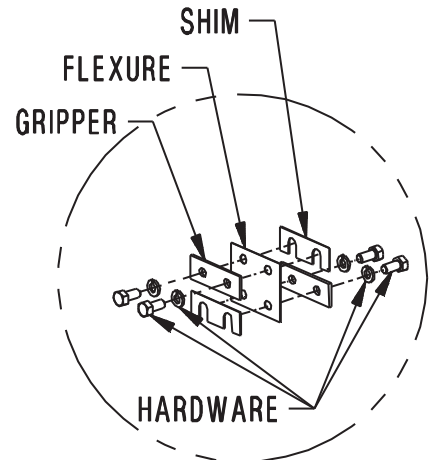
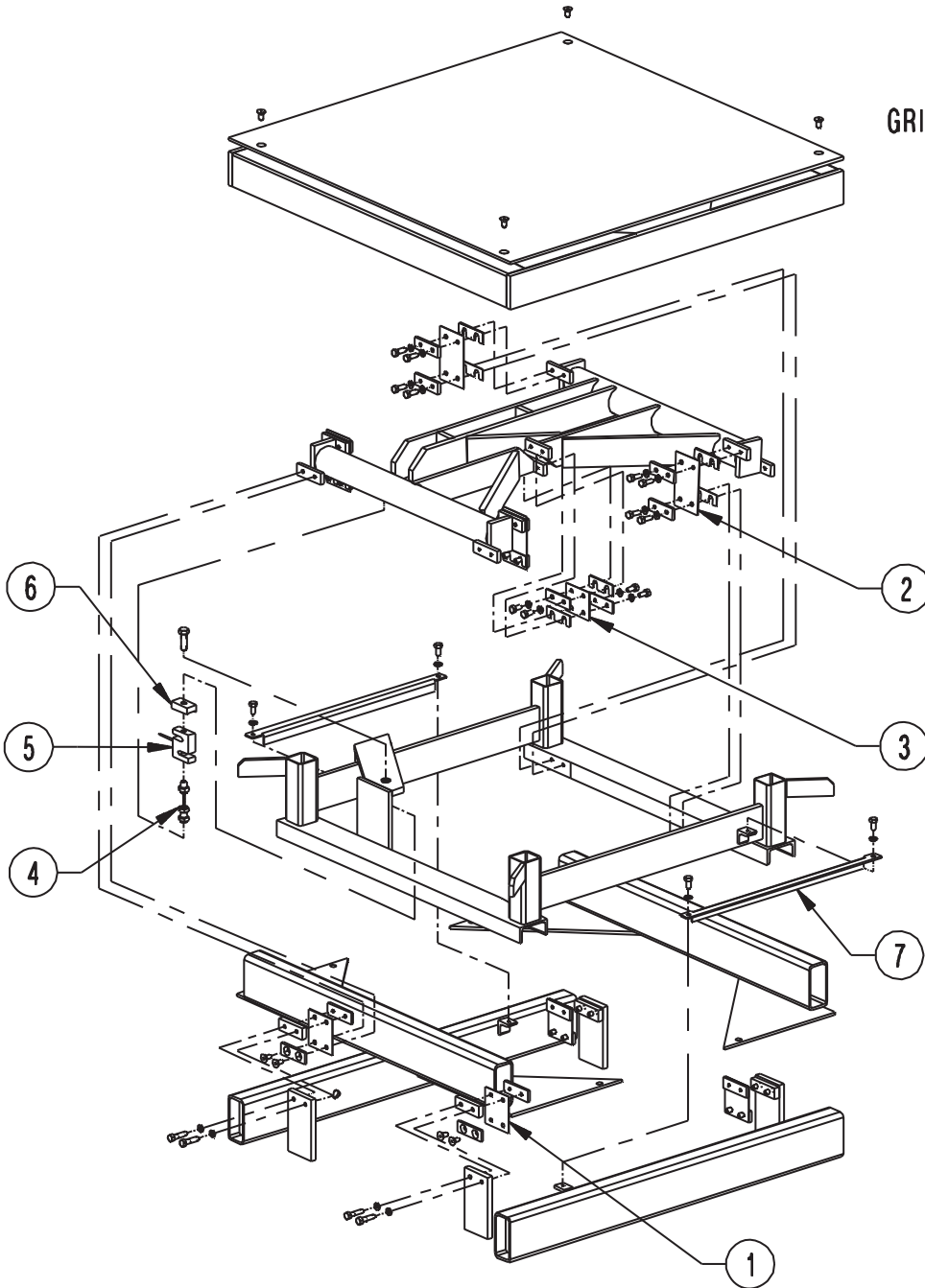
2b - Consists of replacement flexures for the entire scale and ten shims in assorted thicknesses.

3c - Consists of ten assorted thicknesses of shims.

** - Quantity of eight of these are required per scale instead of four.

Floor Scales

FLOOR SCALES
RoughDeck® FXB
 Mild Steel



FOR ILLUSTRATION
 PURPOSES ONLY

RoughDeck® FXB-A

Floor Scales

FLOOR SCALES

RoughDeck® FXB

Mild Steel Parts Kit and Hardware



Scale Size	Scale Capacity (lbs)	Profile (Inches)	Check Link Angle Kit 1a	Flexure/ Shim Kit 2b	Shim Kit 3c	Hardware Kit
-	-	-	7	-	-	-
18 in x 24 in	500	6.50	115243	113850	45377	114023
18 in x 24 in	1000	6.50	115243	113850	45377	114023
18 in x 30 in	500	6.50	115244	113850	45377	114023
18 in x 30 in	1000	6.50	115244	113850	45377	114023
18 in x 30 in	1500	6.50	115244	113850	45377	114023
24 in x 24 in	500	6.50	115243	113850	45377	114023
24 in x 24 in	1000	6.50	115243	113850	45377	114023
30 in x 30 in	500	6.50	115244	113850	45377	114023
30 in x 30 in	1000	6.50	115244	113850	45377	114023
30 in x 30 in	1500	6.50	115244	113850	45377	114023
30 in x 30 in	2000	8.25	115246	113851	45377	114026
36 in x 36 in	1000	8.25	115247	113851	45377	114026
36 in x 36 in	2000	8.25	115245	113851	45377	114026
36 in x 36 in	5000	8.25	115245	113851	45377	114026
38 in x 46 in	1000	8.25	115247	113851	45377	114026
38 in x 46 in	2000	8.25	115247	113851	45377	114026
38 in x 46 in	5000	8.25	115249	113851	45377	114026
38 in x 46 in	10000	8.25	*	113851	45377	114026
48 in x 48 in	1000	8.25	115248	113851	45377	114026
48 in x 48 in	2000	8.25	115248	113851	45377	114026
48 in x 48 in	5000	8.25	115249	113851	45377	114026
48 in x 48 in	7000	9.25	115249	113851	45377	114026
48 in x 48 in	10000	9.25	115249	113852	45377	114026
48 in x 48 in	20000	13.25	*	*	45378	*
48 in x 60 in	2000	8.25	115248	113851	45377	114026
48 in x 60 in	5000	8.25	115250	113851	45377	114026
48 in x 60 in	10000	9.25	115250	113852	45377	114026
48 in x 60 in	20000	13.25	*	*	45378	*
48 in x 72 in	2000	8.25	115249	113851	45377	114026
48 in x 72 in	5000	9.25	115251	113851	45377	114026
48 in x 72 in	10000	9.25	115251	113852	45377	114026
48 in x 72 in	20000	13.25	*	*	45378	*
60 in x 60 in	2000	8.25	115250	113851	45377	114026
60 in x 60 in	5000	8.25	115250	113851	45377	114026
60 in x 60 in	10000	9.25	115250	113852	45377	114026
60 in x 60 in	20000	13.25	*	*	*	*
60 in x 72 in	5000	10.25	*	*	*	*
60 in x 72 in	10000	10.25	*	*	*	*
60 in x 72 in	20000	13.25	*	*	*	*
60 in x 84 in	5000	10.25	*	*	*	*
60 in x 84 in	10000	13.25	*	*	*	*
60 in x 84 in	20000	13.25	*	*	*	*
72 in x 72 in	20000	*	*	*	*	*
72 in x 96 in	5000	13.25	*	*	*	*
72 in x 96 in	10000	13.25	*	*	*	*
72 in x 96 in	20000	15.25	*	*	*	*
84 in x 108 in	5000	*	*	*	*	*
84 in x 108 in	10000	15.25	*	*	*	*
84 in x 108 in	20000	15.25	*	*	*	*
96 in x 120 in	10000	15.25	*	*	*	*
96 in x 120 in	20000	17.50	*	*	*	*
96 in x 120 in	30000	19.50	*	*	*	*

* - Consult factory

1a - Consists of two check link angles and necessary mounting hardware.

2b - Consists of replacement flexures for the entire scale and ten shims in assorted thicknesses.

3c - Consists of ten assorted thicknesses of shims.

** - Quantity of eight of these are required per scale instead of four.

Floor Scales

RoughDeck® FXB

Mild Steel Parts Kit and Hardware



Part Number/Price

Part #	Description	Price
Fulcrum Flexure		
33086	Flexure plate, 4 in x 6 in x .062 in	Consult
33302	Flexure plate, 3 in x 3.75 in x .032 in	Consult
33303	Flexure plate, 3 in x 3.25 in x .032 in	Consult
33304	Flexure plate, 3 in x 3.25 in x .020 in	Consult
Load Flexure		
33087	Flexure plate, 3 in x 4.75 in x .032 in	Consult
33304	Flexure plate, 3 in x 3.25 in x .020 in	Consult
33307	Flexure plate, 4 in x 7 in x .062 in	Consult
Center Flexure		
33087	Flexure plate, 3 in x 4.75 in x .032 in	Consult
33305	Flexure plate, 2.5 in x 3 in x .032 in	Consult
33306	Flexure plate, 2.5 in x 3 in x .020 in	Consult
Pull Cable/Wire Rope		
33084	Wire rope, 1/2-20 NF x 1/2-20 NF x 3-5/8 long SST jam nuts included	Consult
115292	Wire rope, 1/4-28 NF x 1/4-28 NF x 3L 350 lb RLWS FB stainless steel jam nut included	Consult
Load Cell		
21432	Load Cell, SBM RL20000-150 150 lb 20 ft 3 mV/V 350 OHM WW NTEP III 5 S/III L 10 S IP67	Consult
21434	Load Cell, SBM RL20000-250 250 lb 20 ft 3 mV/V 350 OHM WW NTEP III 5 S/III L 10 S IP67	Consult
21435	Load Cell, SBM RL20000-300 300 lb 20 ft 3 mV/V 350 OHM WW NTEP III 5 S/III L 10 S IP67	Consult
21436	Load Cell, SBM RL20000-500 500 lb 20 ft 3 mV/V 350 OHM WW NTEP III 5 S/III L 10 S IP67	Consult
21437	Load Cell, SBM RL20000-750 750 lb 20 ft 3 mV/V 350 OHM WW NTEP III 5 S/III L 10 S IP67	Consult
21438	Load Cell, SBM RL20000-1 k 1,000 lb 20 ft 3 mV/V 350 OHM WW NTEP III 5 S/III L 10 S IP67	Consult
21439	Load Cell, SBM RL20000-1.5 k 1,500 lb 20 ft 3 mV/V 350 OHM WW NTEP III 5 S/III L 10 S IP67	Consult
21440	Load Cell, SBM RL20000-2 k 2,000 lb 20 ft 3 mV/V 350 OHM WW NTEP III 5 S/III L 10 S IP67	Consult
21441	Load Cell, SBM RL20000-2.5 k 2,500 lb 20 ft 3 mV/V 350 OHM WW NTEP III 5 S/III L 10 S IP67	Consult
21442	Load Cell, SBM RL20000-3 k 3,000 lb 20 ft 3 mV/V 350 OHM WW NTEP III 5 S/III L 10 S IP67	Consult
21443	Load Cell, SBM RL20000-5 k 5,000 lb 20 ft 3 mV/V 350 OHM WW NTEP III 5 S/III L 10 S IP67	Consult
Load Cell Spacer		
33425	Spacer, Load Cell 3/4 in x 2 in x 1/2 in	Consult
Check Link Angle Kit		
115243	Kit, angle check link 14 in with associated hardware	Consult
115244	Kit, angle check link 20 in with associated hardware	Consult
115245	Kit, angle check link 21 in with associated hardware	Consult
115246	Kit, angle check link 16 in with associated hardware	Consult
115247	Kit, angle check link 26 in with associated hardware	Consult
115248	Kit, angle check link 28 in with associated hardware	Consult
115249	Kit, angle check link 30 in with associated hardware	Consult
115250	Kit, angle check link 42 in with associated hardware	Consult
115251	Kit, angle check link 54 in with associated hardware	Consult
Flexure/Shim Kit		
113850	Flexure kit, 30 in x 30 in 1.5 k and under	Consult
113851	Flexure kit, 30 in x 30 in 2 k to 60 x 60 5 k	Consult
113852	Flexure kit, 48 in x 48 in 10 k to 60 x 60 10 k	Consult
Shim Kit (see page 112 for correct PN for needed scale size and capacity)		
45377	Shim kit, 3 in for FXB (10 assorted shims)	Consult
45378	Shim kit, 4 in for FXB (10 assorted shims)	Consult
Hardware Kit		
114023	Kit, hardware FXB 6.50 in profile	Consult
114026	Kit, hardware FXB 8.50 in profile and larger 10 k and under	Consult

FLOOR SCALES

RoughDeck® FXB-SS
Stainless Steel



Scale Size	Scale Capacity (lbs)	Profile (Inches)	Fulcrum Flexure (4 ea.)	Load Flexure (4 ea.)	Center Flexure (1 ea.)	Pull Cable/Wire Rope	Load Cell	Load Cell Spacer
-	-	1	2	3	4	5	6	
18 in x 24 in	500	6.50	113482	113482	114084	115292	72743	115484
18 in x 24 in	1000	6.50	113482	113482	114084	115292	46503	115484
18 in x 30 in	500	6.50	113482	113482	114084	115292	72743	115484
18 in x 30 in	1000	6.50	113482	113482	114084	115292	46503	115484
18 in x 30 in	1500	6.50	113482	113482	114084	115292	72745	115484
24 in x 24 in	500	6.50	113482	113482	114084	115292	72743	115484
24 in x 24 in	1000	6.50	113482	113482	114084	115292	46503	115484
30 in x 30 in	500	6.50	113482	113482	114084	115292	72743	115484
30 in x 30 in	1000	6.50	113482	113482	114084	115292	46503	115484
30 in x 30 in	1500	6.50	113482	113482	114084	115292	72745	115484
30 in x 30 in	2000	8.25	113483	114079	114083	33084	46504	115483
36 in x 36 in	1000	8.25	113483	114079	114083	33084	46504	115483
36 in x 36 in	2000	8.25	113483	114079	114083	33084	46504	115483
36 in x 36 in	5000	8.25	113483	114079	114083	33084	46505	115483
38 in x 46 in	1000	8.25	113483	114079	114083	33084	46504	115483
38 in x 46 in	2000	8.25	113483	114079	114083	33084	46504	115483
38 in x 46 in	5000	8.25	113483	114079	114083	33084	46505	115483
38 in x 46 in	10000	8.25	113483	114079	114083	33084	72749	115483
48 in x 48 in	1000	8.25	113483	114079	114083	33084	46504	115483
48 in x 48 in	2000	8.25	113483	114079	114083	33084	46504	115483
48 in x 48 in	5000	8.25	113483	114079	114083	33084	46504	115483
48 in x 48 in	7000	9.25	114082	114079	114083	33084	46506	115483
48 in x 48 in	10000	9.25	114082	114079	114083	33084	46506	115483
48 in x 48 in	20000	13.25	114081	114080	114079	*	*	115483
48 in x 60 in	2000	8.25	113483	114079	114083	33084	46504	115483
48 in x 60 in	5000	8.25	113483	114079	114083	33084	46504	115483
48 in x 60 in	10000	9.25	114082	114079	114083	33084	46506	115483
48 in x 60 in	20000	13.25	114081	114080	114079	*	*	115483
48 in x 72 in	2000	8.25	113483	114079	114083	33084	46504	115483
48 in x 72 in	5000	9.25	113483	114079	114083	33084	46504	115483
48 in x 72 in	10000	9.25	114082	114079	114083	33084	46506	115483
48 in x 72 in	20000	13.25	114081	114080	114079	*	*	115483
60 in x 60 in	2000	8.25	113483	114079	114083	33084	46504	115483
60 in x 60 in	5000	8.25	113483	114079	114083	33084	46504	115483
60 in x 60 in	10000	9.25	114082	114079	114083	33084	46506	115483
60 in x 60 in	20000	13.25	114081	114080	114079	*	*	115483
60 in x 72 in	5000	10.25	114081	114080	114083	33084	46504	115483
60 in x 72 in	10000	10.25	114081	114080	114083	33084	46506	115483
60 in x 72 in	20000	13.25	114081	114080	114079	*	*	115483
60 in x 84 in	5000	10.25	114081	114080	114083	33084	46506	115483
60 in x 84 in	10000	13.25	114081	114080	114079	*	*	115483
60 in x 84 in	20000	13.25	114081	114080	114079	*	*	115483
72 in x 72 in	20000	*	114081	114080	114079	*	*	*
72 in x 96 in	5000	13.25	114081	114080	114079	33084	46506	115483
72 in x 96 in	10000	13.25	114081	114080	114079	*	*	115483
72 in x 96 in	20000	15.25	114081	114080	114079	*	*	115483
84 in x 108 in	5000	*	114081	114080	114079	33084	46506	115483
84 in x 108 in	10000	15.25	114081	*	114079	33084	72749	115483
84 in x 108 in	20000	15.25	114081	*	114079	*	*	115483
96 in x 120 in	10000	15.25	114081	114080	114079	*	*	115483
96 in x 120 in	20000	17.50	114081	114080	*	*	*	115483
96 in x 120 in	30000	19.50	**114081	114080	*	*	*	115483

* - Consult factory

1a - Consists of two check link angles and necessary mounting hardware.

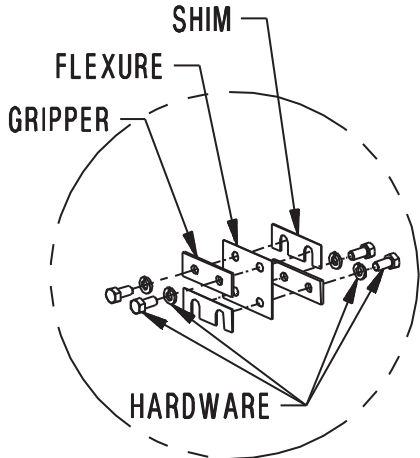
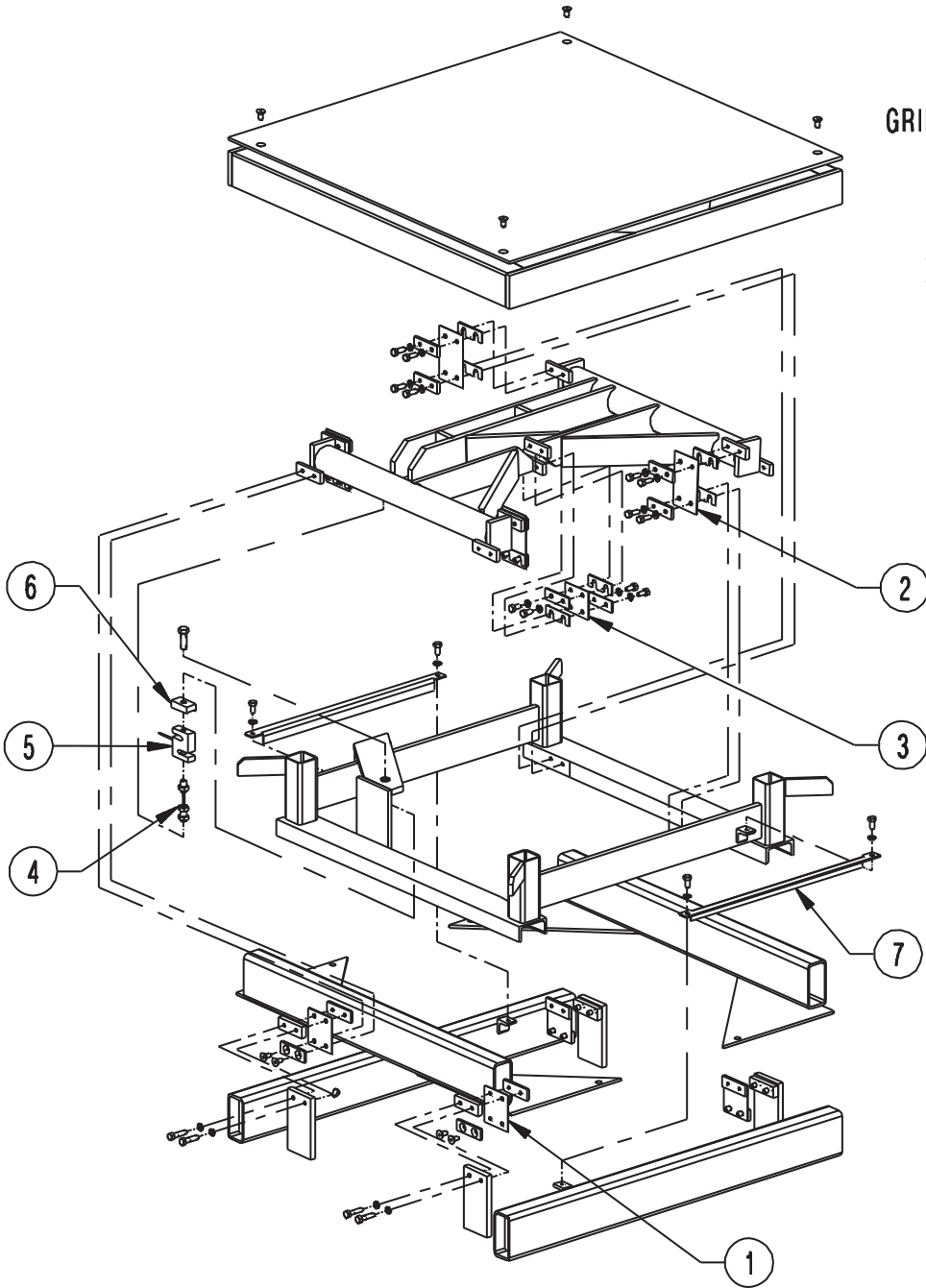
2b - Consists of replacement flexures for the entire scale and ten shims in assorted thicknesses.

3c - Consists of ten assorted thicknesses of shims.

** - Quantity of eight of these are required per scale instead of four.

Floor Scales

FLOOR SCALES
RoughDeck® FXB-SS
 Stainless Steel



FOR ILLUSTRATION
 PURPOSES ONLY

RoughDeck® FXB-A

Floor Scales

FLOOR SCALES

RoughDeck® FXB-SS

Stainless Steel Parts Kit and Hardware



Part Number/Price

Scale Size	Scale Capacity (lbs)	Profile (Inches)	Check Link Angle Kit 1a	Flexure/Shim Kit 2b	Shim Kit 3c	Hardware Kit
-	-	7	-	-	-	-
18 in x 24 in	500	6.50	*	*	45377	114025
18 in x 24 in	1000	6.50	*	*	45377	114025
18 in x 30 in	500	6.50	*	*	45377	114025
18 in x 30 in	1000	6.50	*	*	45377	114025
18 in x 30 in	1500	6.50	*	*	45377	114025
24 in x 24 in	500	6.50	*	*	45377	114025
24 in x 24 in	1000	6.50	*	*	45377	114025
30 in x 30 in	500	6.50	*	*	45377	114025
30 in x 30 in	1000	6.50	*	*	45377	114025
30 in x 30 in	1500	6.50	*	*	45377	114025
30 in x 30 in	2000	8.25	*	115131	45377	114027
36 in x 36 in	1000	8.25	*	115131	45377	114027
36 in x 36 in	2000	8.25	*	115131	45377	114027
36 in x 36 in	5000	8.25	*	115131	45377	114027
38 in x 46 in	1000	8.25	*	115131	45377	114027
38 in x 46 in	2000	8.25	*	115131	45377	114027
38 in x 46 in	5000	8.25	*	115131	45377	114027
38 in x 46 in	10000	8.25	*	115131	45377	114027
48 in x 48 in	1000	8.25	*	115131	45377	114027
48 in x 48 in	2000	8.25	*	115131	45377	114027
48 in x 48 in	5000	8.25	*	115131	45377	114027
48 in x 48 in	7000	9.25	*	*	45377	114027
48 in x 48 in	10000	9.25	*	*	*	114027
48 in x 48 in	20000	13.25	*	*	*	*
48 in x 60 in	2000	8.25	*	*	45377	114027
48 in x 60 in	5000	8.25	*	*	45377	114027
48 in x 60 in	10000	9.25	*	*	45377	114027
48 in x 60 in	20000	13.25	*	*	*	*
48 in x 72 in	2000	8.25	*	*	45377	114027
48 in x 72 in	5000	9.25	*	*	45377	114027
48 in x 72 in	10000	9.25	*	*	45377	114027
48 in x 72 in	20000	13.25	*	*	*	*
60 in x 60 in	2000	8.25	*	*	45377	114027
60 in x 60 in	5000	8.25	*	*	45377	114027
60 in x 60 in	10000	9.25	*	*	45377	114027
60 in x 60 in	20000	13.25	*	*	*	*
60 in x 72 in	5000	10.25	*	*	*	*
60 in x 72 in	10000	10.25	*	*	*	*
60 in x 72 in	20000	13.25	*	*	*	*
60 in x 84 in	5000	10.25	*	*	*	*
60 in x 84 in	10000	13.25	*	*	*	*
60 in x 84 in	20000	13.25	*	*	*	*
72 in x 72 in	20000	*	*	*	*	*
72 in x 96 in	5000	13.25	*	*	*	*
72 in x 96 in	10000	13.25	*	*	*	*
72 in x 96 in	20000	15.25	*	*	*	*
84 in x 108 in	5000	*	*	*	*	*
84 in x 108 in	10000	15.25	*	*	*	*
84 in x 108 in	20000	15.25	*	*	*	*
96 in x 120 in	10000	15.25	*	*	*	*
96 in x 120 in	20000	17.50	*	*	*	*
96 in x 120 in	30000	19.50	*	*	*	*

* - Consult factory

1a - Consists of two check link angles and necessary mounting hardware.

2b - Consists of replacement flexures for the entire scale and ten shims in assorted thicknesses.

3c - Consists of ten assorted thicknesses of shims.

** - Quantity of eight of these are required per scale instead of four.

Floor Scales

FLOOR SCALES
RoughDeck® FXB-SS
 Stainless Steel Parts Kit and Hardware

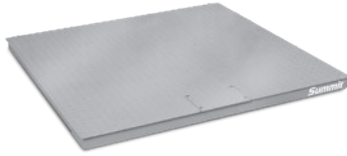


Floor Scales

Part Number/Price

Part #	Description	Price
Fulcrum Flexure		
113482	Flexure plate, 3 in x 3.25 in x .020 in	Consult
113483	Flexure plate, 3 in x 3.25 in x .032 in	Consult
114081	Flexure plate, 4 in x 6 in x .062 in	Consult
114082	Flexure plate, 3 in x 3.75 in x .032 in	Consult
Load Flexure		
113482	Flexure plate, 3 in x 3.25 in x .020 in	Consult
114079	Flexure plate, 3 in x 4.75 in x .032 in	Consult
114080	Flexure plate, 4 in x 7 in x .062 in	Consult
Center Flexure		
114079	Flexure plate, 3 in x 4.75 in x .032 in	Consult
114083	Flexure plate, 2.5 in x 3 in x .032 in	Consult
114084	Flexure plate, 2.5 in x 3 in x .020 in	Consult
Pull Cable/Wire Rope		
33084	Wire rope, 1/2 - 20 NF x 1/2 - 20 NF x 3 - 5/8 Long SST jam nuts included	Consult
115292	Wire rope, 1/4 - 28 NF x 1/4 - 28 NF x 3L 350 lb RLWS FB stainless steel jam nut included	Consult
Load Cell		
46503	Load cell, SBM RL20000SS- 250 lb 20 ft 3 mV/V 350 OHM WW SST NTEP III L 10S IP67	Consult
46504	Load cell, SBM RL20000SS- 500 lb 20 ft 3 mV/V 350 OHM WW SST NTEP III L 10S IP67	Consult
46505	Load cell, SBM RL20000SS- 750 lb 20 ft 3 mV/V 350 OHM WW SST NTEP III L 10S IP67	Consult
46506	Load cell, SBM RL20000SS- 1 k 1000 lb 20 ft 3 mV/V 350 OHM WW SST NTEP III L 10S IP67	Consult
46507	Load cell, SBM RL20000SS- 2.5 k 2500 lb 20 ft 3 mV/V 350 OHM WW SST NTEP III L 10S IP67	Consult
46508	Load cell, SBM RL20000SS- 3 k 3000 lb 20 ft 3 mV/V 350 OHM WW SST NTEP III L 10S IP67	Consult
46509	Load cell, SBM RL20000SS- 5 k 5000 lb 20 ft 3 mV/V 350 OHM WW SST NTEP III L 10S IP67	Consult
72743	Load cell, SBM RL20000ST 200 lb 20 ft 3 mV/V 350 OHM WW SST NTEP III L 10S FM IP67	Consult
72745	Load cell, SBM RL20000ST 300 lb 20 ft 3 mV/V 350 OHM WW SST NTEP III L 10S FM IP67	Consult
72749	Load cell, SBM RL20000ST 1,500 lb 20 ft 3 mV/V 350 OHM WW SST NTEP III L 10S FM IP67	Consult
72750	Load cell, SBM RL20000ST 2,000 lb 20 ft 3 mV/V 350 OHM WW SST NTEP III L 10S FM IP67	Consult
Load Cell Spacer		
115483	Spacer, load cell 1 in x 2 in x .60 in	Consult
115484	Spacer, load cell 1 in x 2 in x .10 in	Consult
Flexure/Shim Kit		
115131	Flexure kit, 48 in x 48 in 1 k - 5 k	Consult
Shim Kit		
45377	Shim kit, 3 in for FXB 5 k capacity and below (10 assorted shims)	Consult
Hardware Kit		
114027	Kit, hardware FXB 8.50 in profile	Consult

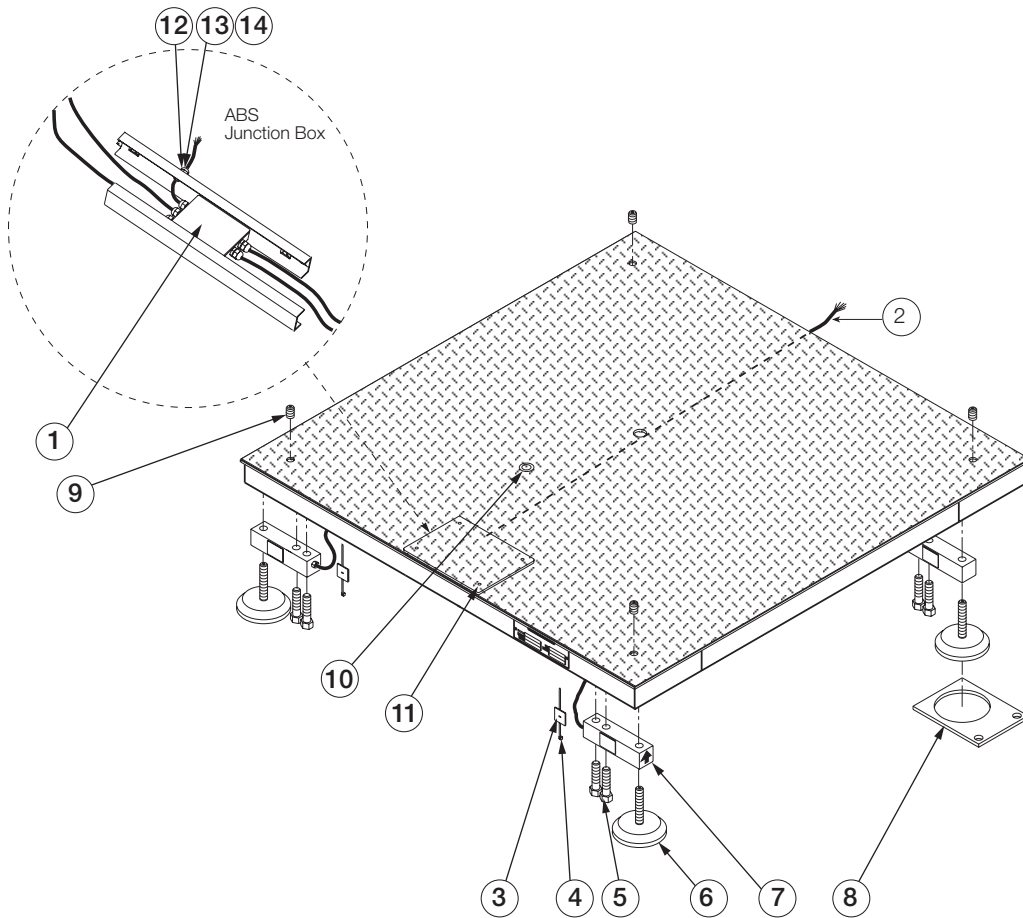
Summit 3000



Part Number/Price

Ref#	Part#	Description	Price
1	73428	Junction box, ABS plastic - 4 channel, signal trim	Consult
2	76015	Cable, 6-wire, deck to indicator	Consult
3	15658	Cable tie mount, 1 in square	Consult
4	15631	Cable ties, 3 in	Consult
5	15071	Load cell screw	Consult
6	73801	Foot assembly	Consult
7	21528	Load cell, RL35023 - 1000 lb (2000 lb scale)	Consult
7	21530	Load cell, RL35023 - 2500 lb (5000 lb scale)	Consult
7	21532	Load cell, RL35023 - 4000 lb (10,000 lb scale)	Consult
8	75819	Mounting plate, (set of two plates)	Consult
9	15051	Overload stops (Canadian legal-for trade model only)	Consult
11	14960	J-box cover screws	Consult
12	66454	Cord grip (snap in) (3 x 3 and 4 x 4 models only)	Consult
13	15628	Cord grip, black 1/2 in (4 x 4 models and 5 x 5 models only)	Consult
14	15630	Nut, cord grip 1/2 in	Consult

(See Diagram Summit 3000-A)



Summit 3000-A

Indicators / Controllers

TABLE OF CONTENTS

INDICATORS

120 DIGITAL WEIGHT INDICATOR	124
120 PLUS DIGITAL WEIGHT INDICATOR	125
320IS & 320IS PLUS DIGITAL WEIGHT INDICATOR.....	126
IQ PLUS® 355 DIGITAL WEIGHT INDICATOR.....	128
<i>Backplate & Tilt Stand Assemblies</i>	
IQ PLUS® 355 DIGITAL WEIGHT INDICATOR.....	130
<i>Enclosure & CPU Board</i>	
IQ PLUS® 355 DIGITAL WEIGHT INDICATOR.....	131
<i>Line Filter & Ground Post Assembly</i>	
IQ PLUS® 390 DC DIGITAL WEIGHT INDICATOR	132
SURVIVOR® 390HE HOSTILE ENVIRONMENT DIGITAL WEIGHT INDICATOR	134
420 UNIVERSAL	135
SURVIVOR® 420 HE HOSTILE ENVIRONMENT DIGITAL WEIGHT INDICATOR	138
480/482 LEGEND SERIES DIGITAL WEIGHT INDICATOR BACKPLATE	140
380 SYNERGY SERIES	142
680 SYNERGY SERIES	144
680HE.....	148
682 AC	150
682 DC	152
IQ PLUS® 590-DC DIGITAL WEIGHT INDICATOR.....	154
720I® PANEL MOUNT ENCLOSURE	156
<i>Panel Model</i>	
720I® UNIVERSAL DIGITAL WEIGHT INDICATOR	158
<i>Universal Model</i>	
820I® PANEL MOUNT INDICATOR/CONTROLLER	160
<i>Main Assembly</i>	
820I® UNIVERSAL INDICATOR/CONTROLLER.....	162
<i>Main Assembly</i>	
880 PANEL MOUNT	164
<i>5.0 in and 5.5 in</i>	
880 PLUS UNIVERSAL ENCLOSURE	166
882IS/882IS PLUS INTRINSICALLY SAFE DIGITAL WEIGHT INDICATOR	168
882D	170
920I® UNIVERSAL INDICATOR/CONTROLLER.....	172
<i>Main Assembly</i>	
920I® UNIVERSAL INDICATOR/CONTROLLER.....	175
<i>Power Supply</i>	
920I® PANEL MOUNT INDICATOR/CONTROLLER	176
<i>Main Assembly</i>	
920I® PANEL MOUNT INDICATOR/CONTROLLER	179
<i>CPU Board Connections</i>	
920I® DEEP ENCLOSURE INDICATOR/CONTROLLER	181
<i>Main Assembly</i>	

920I® WALL MOUNT INDICATOR/CONTROLLER	184
<i>Main Assembly</i>	
920I® WALL MOUNT INDICATOR/CONTROLLER	187
<i>Bottom View</i>	
920I® WALL MOUNT INDICATOR/CONTROLLER	188
<i>CPU Board & Power Supply Connections</i>	
1280 ENTERPRISE UNIVERSAL ENCLOSURE	190
1280 ENTERPRISE PANEL ENCLOSURE	192
1280 ENTERPRISE WALL ENCLOSURE	194
1280 ENTERPRISE CONTROLLER ASSEMBLY	196
1280 ENTERPRISE CONTROLLER ASSEMBLY	197
<i>7 in Touch Only Screen</i>	
1280 ENTERPRISE CONTROLLER ASSEMBLY	198
<i>12 in Touch Only Screen</i>	
1280 ENTERPRISE	199

CONTROLLERS

TRACER AV	200
TRACER AVI.....	201

INDICATORS

120 Digital Weight Indicator



Part Number/Price

Part#	Description	Price
131924	CPU board assembly for use with internal connector	Consult
131925	AC adaptor 115VAC NEMA Type 5-15 plug, 230VAC (2-pin) CEE 7/7 plug	Consult
78610	Overlay membrane switch	Consult
105669	Wing knob M6 x 16 mm	Consult
83430	Screw, slotted drilled fillister M3	Consult
83432	Screw, self-tap enclosure	Consult
83431	Foot, rubber bumper	Consult
83429	Sealing plate	Consult
82505	6-pin socket load cell connector (cable end) requires 103507	Consult
103507	Chassis mounted load cell connector, replaces Cord-grip	Consult
76699	Operation manual	Consult
93205	Load cell connector with 6-meter length pigtail requires 103507	Consult
83110	Eprom, programmed	Consult
78949	Tilt stand	Consult

120 Plus Digital Weight Indicator

Part Number/Price

Part#	Description	Price
103634	CPU/display board assembly	Consult
103635	Overlay membrane switch	Consult
103636	AC adaptor 115VAC NEMA Type 5-15 plug, 230VAC (2-pin) CEE 7/7 plug	Consult
103637	Rechargeable battery	Consult
105669	Wing knob M6 x 16 mm	Consult
83430	Screw, slotted drilled fillister	Consult
83429	Sealing plate	Consult
83432	Screw, self-tap enclosure	Consult
83431	Foot, rubber bumper	Consult
78949	Tilt stand	Consult
82505	6-pin socket load cell connector (cable end) requires 103507	Consult
103507	Chassis mounted load cell plug (include lock nut and washer)	Consult
93205	Load cell connector with 6-meter length pigtail, requires 103507	Consult
105670	15-pin connector for communication and I/O	Consult
106705	15-pin interface cable with 2 meter length	Consult
107620	Digital I/O card	Consult



320IS & 320IS Plus Digital Weight Indicator

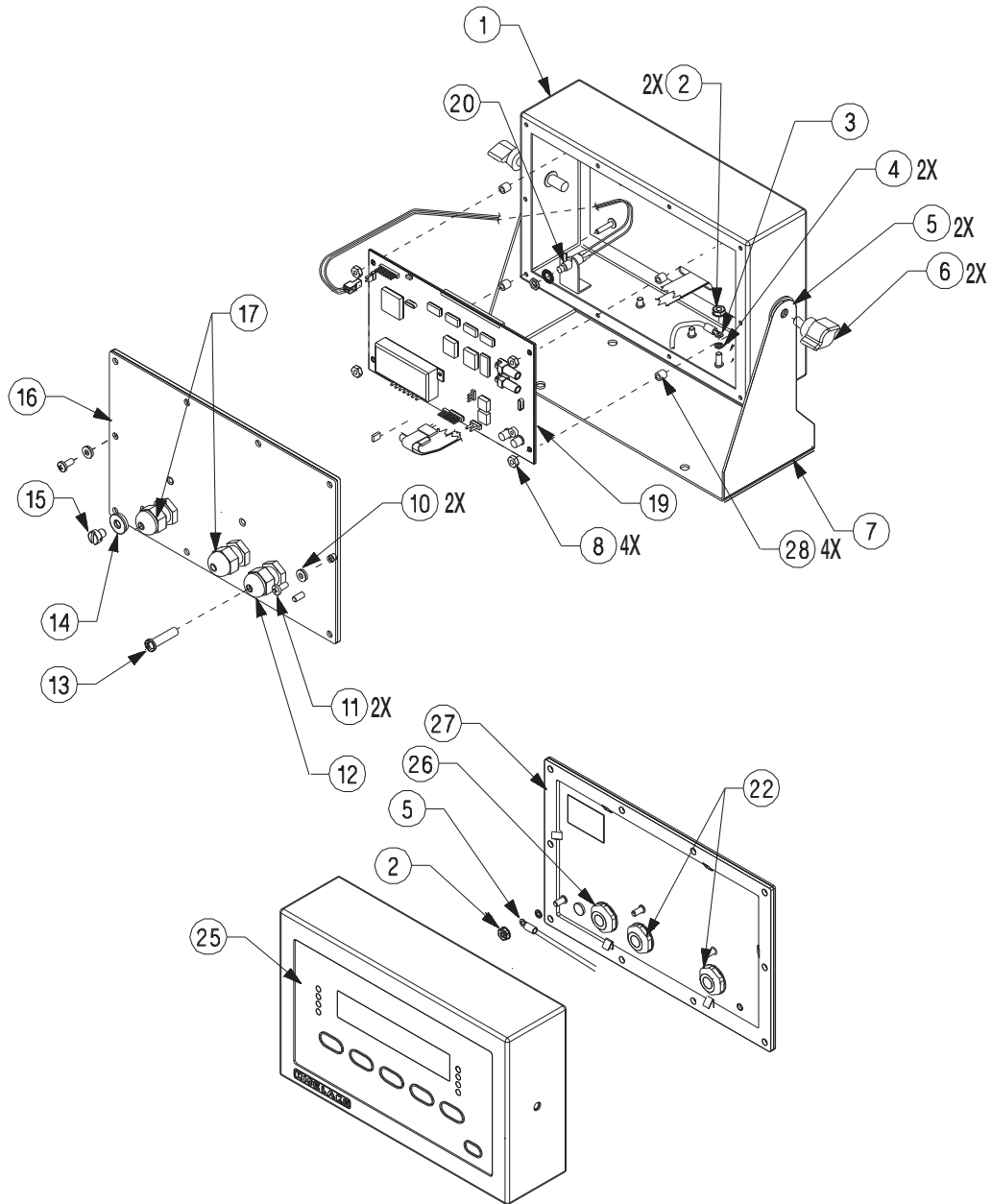


Part Number/Price

Ref#	Part#	Description	Price
1	50555	Enclosure	Consult
2	14626	Nut, KEP 8-32NC Hex	Consult
3	45043	Ground wire	Consult
4	15134	Washer, Loc No. 8	Consult
5	15144	Washer, nylon	Consult
6	68403	Knob, black	Consult
7	29635	Stand, tilt SST	Consult
8	14621	Nut, KEP 6-32NC Hex	Consult
10	45042	Washers, sealing	Consult
11	14862	Back panel screws 8-32NC	Consult
12	15626	Cable grip, black plastic	Consult
13	19538	Post, slotted black	Consult
14	44676	Washer, bonded sealing	Consult
15	42640	Screw, machine	Consult
16	72916	Backplate, SST	Consult
17	91852	Cable grip, nickel	Consult
19	86242	CPU board assembly	Consult
20	51974	Set-up switch assembly	Consult
22	50962	Lock nut, metal	Consult
25	85352	Overlay, 320IS Plus	Consult
25	73055	Overlay, 320IS	Consult
26	15627	Lock nut, black plastic	Consult
27	84388	Gasket, backplate	Consult
28	15365	Spacer, round	Consult
—	83178	EPROM, CPU flash memory chip	Consult
—	179142	DC extension cable 10 ft	Consult
—	179143	DC extension cable 25 ft	Consult
—	179144	DC extension cable 50 ft	Consult
—	179145	DC extension cable 75 ft	Consult
—	179146	DC extension cable 100 ft	Consult
—	212271	Cable Assy 10 ft Adapter Cable for 320IS to MB-EPS-100-240-X2 882IS Power Supply	Consult
—	212309	Cable Assy 50 ft Adapter Cable for 320IS to MB-EPS-100-240-X2 882IS Power Supply	Consult
—	212310	Cable Assy 100 ft Adapter Cable for 320IS to MB-EPS-100-240-X2 882IS Power Supply	Consult
—	180837	Power Supply, 882IS mb-EPS-100-240-X2, Dual Output 6.8VDC 200mA	Consult
—	195109	Power Supply, 882IS Metric MB-EPS-100-240-X2, Dual Output 6.8VDC 200mA Metric thread adapter included 1/2in NPT - M20	Consult

(See Diagram 320IS & 320IS Plus Desktop)

320IS & 320IS Plus Digital Weight Indicator



320IS & 320IS Plus Desktop

Indicators/Controllers

INDICATORS

IQ plus® 355 Digital Weight Indicator

Backplate & Tilt Stand Assemblies



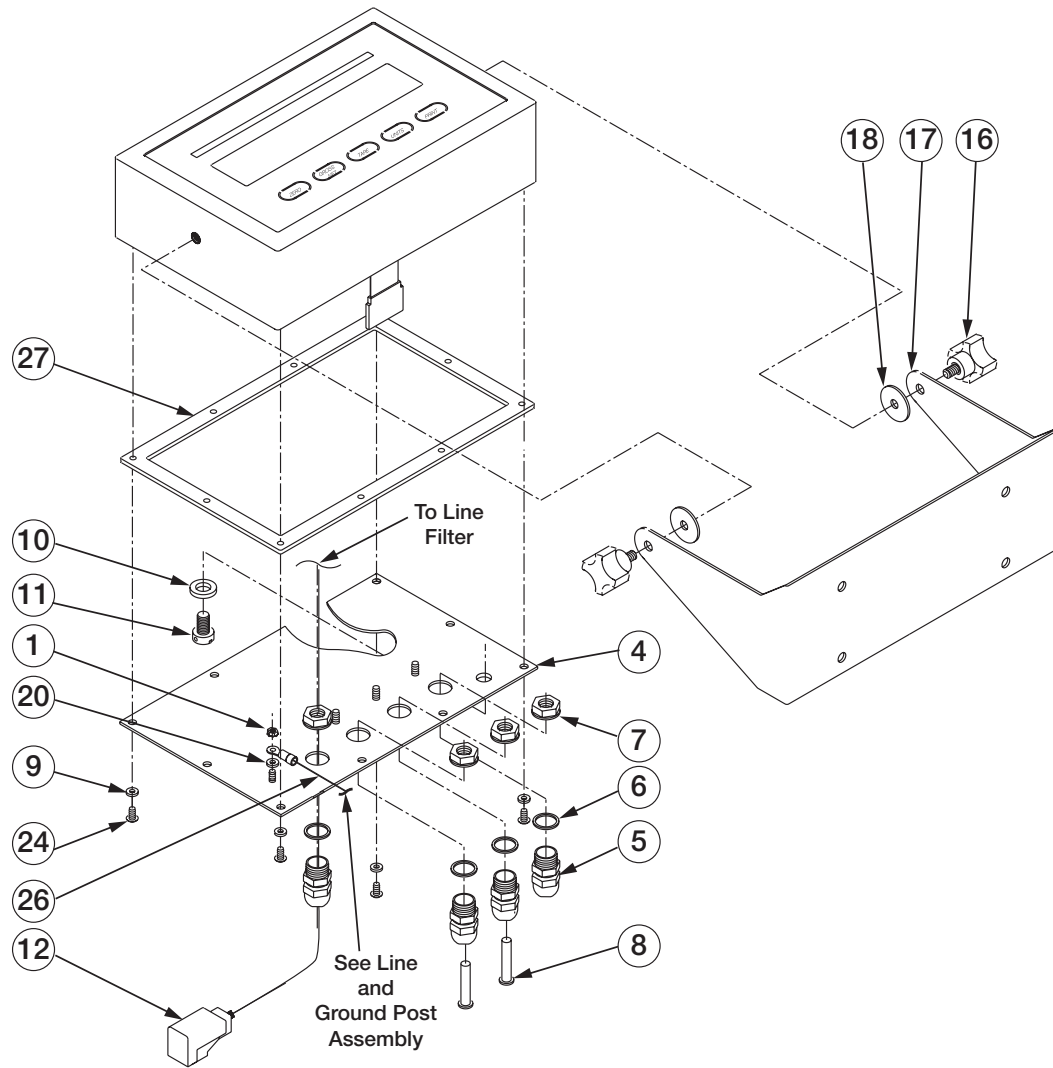
Part Number/Price

Ref#	Part#	Description	Price
	66503	Installation manual	Consult
	70599	6-position connectors for J1 (load cell)	Consult
	70600	7-position connectors for J4 and J12 (serial)	Consult
	83564	Clear protective overlay	Consult
	43381	Analog output board	Consult
	15885	Analog output connector 4-pin	Consult
	52948	Panel mount kit	Consult
	52212	Parts kit	Consult
Components of Part# 52212			
	14626	Nut, KEP, 8-32 NC hex	Consult
	14862	Screw, 8-32 NC x 3/8"	Consult
	15133	Washer, lock No. 8, type A	Consult
	30623	Screw, 8-32 NC x 7/16", drilled fillister	Consult
	70600	7-position connectors for J4 and J12	Consult
	42149	Bumpers, rubber	Consult
	94422	Label, capacity	Consult
	45042	Washer, bonded sealing, SST	Consult
	52209	Label, identification	Consult
	53374	Label, annunciators	Consult
	67550	Clamp, ground cable shield	Consult
	70599	6-position connectors for J1	Consult
	66730	Filter, snap-on ferrite, CE	Consult
1	14626	Nut, KEP, 8-32 NC hex	Consult
4	39017	Enclosure backplate	Consult
5	15626	Cable grips, PG9	Consult
6	30375	Nylon seal rings for cable grips	Consult
7	15627	Lock nuts, PCN9	Consult
8	19538	Cable grip plugs	Consult
9	45042	Sealing washers	Consult
	44676	Sealing washer for set-up switch access screw	Consult
11	42640	Set-up switch access screw, 1/4" x 28 NF x 1/4"	Consult
12	41965	Power cord assembly, 115VAC	Consult
	45254	Power cord assembly, 230VAC	Consult
16	68403	Two-cornered wing knobs for tilt stand (new style)	Consult
17	29635	Tilt stand	Consult
18	15144	Nylon washers for tilt stand, 1/4" x 1" x 1/16"	Consult
20	15134	Lock washers, internal tooth, No. 8, Type A	Consult
24	14862	Screws, 8-32 NC x 3/8"	Consult
26	45043	Ground wire, 4", No. 8	Consult
27	39037	Backplate gasket	Consult

(See Diagram IQ plus 355-A)

IQ plus® 355 Digital Weight Indicator

Backplate & Tilt Stand Assemblies



IQ plus 355-A

Indicators/Controllers

INDICATORS

IQ plus® 355 Digital Weight Indicator

Enclosure & CPU Board

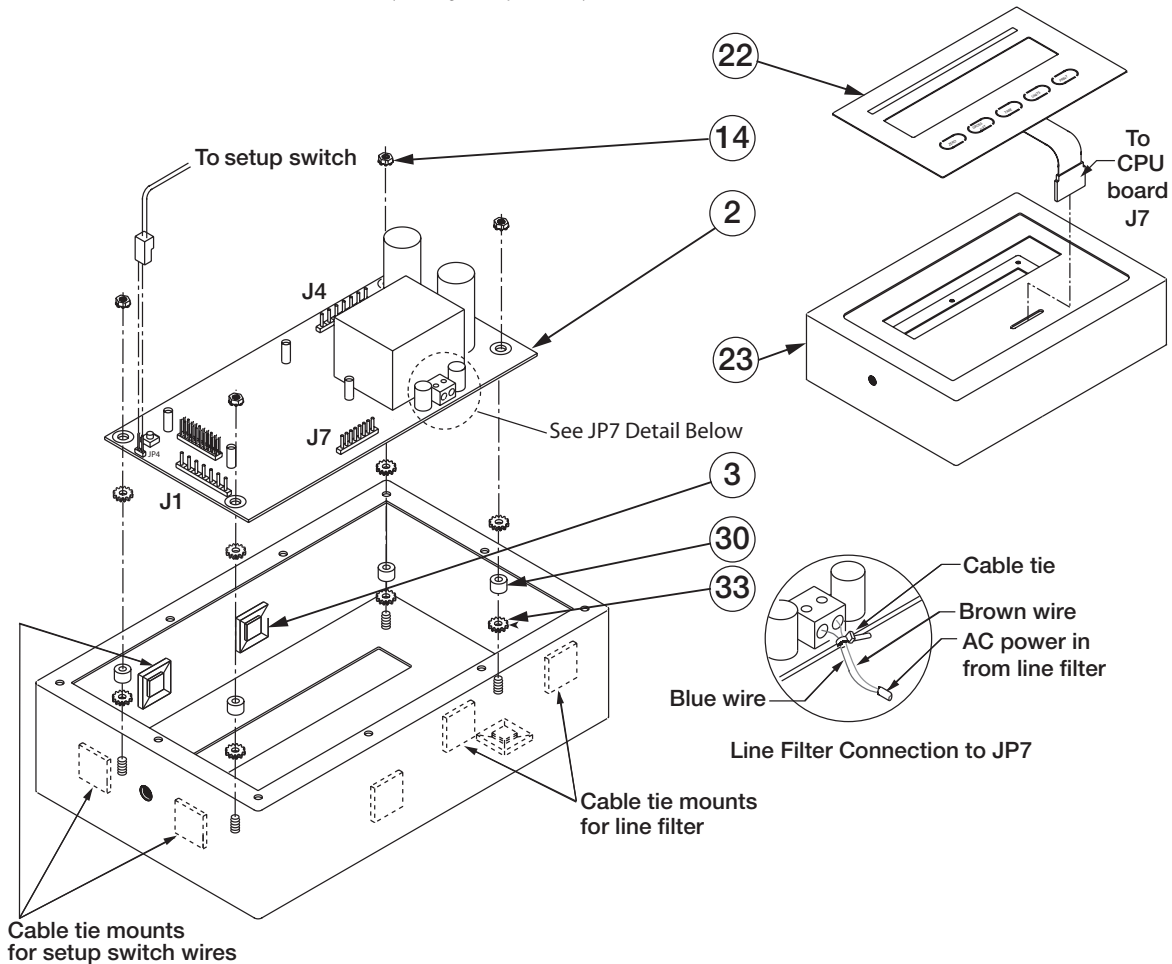


Part Number/Price

Ref#	Part#	Description	Price
2	52211	Display and CPU board assembly, 115VAC	Consult
Components of Part# 52211			
	71631	IC, A/D	Consult
	53848	Fuse, 200 mA, 115VAC	Consult
	16639	Capacitor 4,700 uF at 16V	Consult
	87035	Capacitor 10,000 uF at 16V	Consult
	64742	RS-232 transceiver	Consult
2	52210	Display and CPU board assembly, 230VAC	Consult
Components of Part# 52210			
	71631	IC, A/D	Consult
	53881	Fuse, 100 mA, 230VAC	Consult
	16639	Capacitor 4,700 uF at 16V	Consult
	87035	Capacitor 10,000 uF at 16V	Consult
	64742	RS-232 transceiver	Consult
3	15365	Board mounting spacers	Consult
14	14621	Nut, KEP, 6-32 NC hex	Consult
22	50556	Overlay membrane panel	Consult
23	50555	Enclosure	Consult
30	15650	Cable tie mounts	Consult
33	15131	Lock washers, external tooth, No. 6, Type A	Consult

(See Diagram IQ plus 355-B)

Indicators/Controllers



IQ plus 355-B

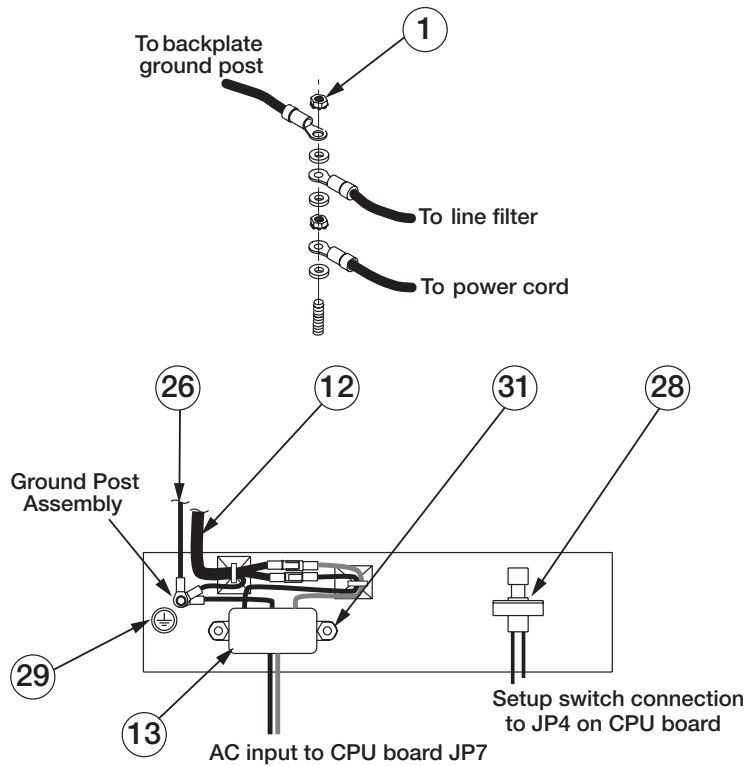
IQ plus® 355 Digital Weight Indicator

Line Filter & Ground Post Assembly

Part Number/Price

Ref#	Part#	Description	Price
1	14626	Nut, KEP, 8-32 NC hex	Consult
12	41965	Power cord assembly, 115VAC	Consult
12	45254	Power cord assembly, 230VAC	Consult
13	41964	Line filter assembly	Consult
26	45043	Ground wire, 4", No. 8	Consult
28	51974	Set-up switch assembly	Consult
29	16892	Ground/earth cable	Consult
31	45302	Line filter standoffs	Consult

(See Diagram IQ plus 355-C)



IQ plus 355-C

INDICATORS

IQ plus® 390 DC Digital Weight Indicator

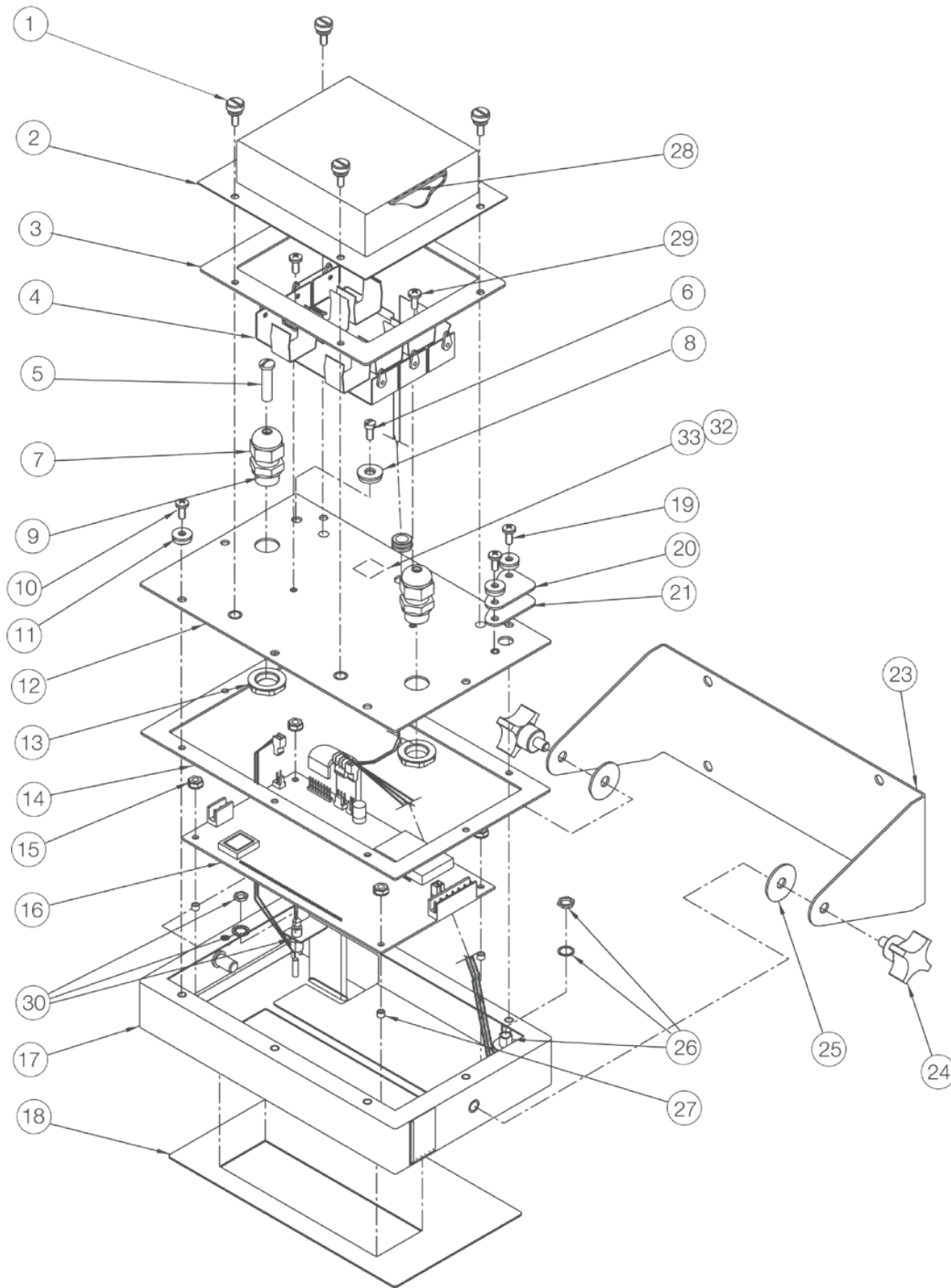


Part Number/Price

Ref#	Part#	Description	Price
	49978	AC adapter, 115VAC	Consult
	130185	AC adapter, 230VAC	Consult
	66730	Filter, snap-on, ferrite, CE	Consult
	48820	Installation manual	Consult
	66785	Parts kit	Consult
Components of Part# 66785			
	14626	Nut, KEP 8-32 NC x 3/8"	Consult
	14862	Screw, 8-32 NC x 3/8"	Consult
	15133	Washer, lock, No. 8, type A	Consult
	15888	Terminal block, 3 position	Consult
	23165	Terminal block, 7 position	Consult
	30623	Screw, 8-32 NC x 7/16	Consult
	42149	Bumpers, rubber	Consult
	94422	Label, capacity	Consult
	45042	Washer, bonded sealing, SST	Consult
	49958	Label, identification	Consult
	67550	Clamp, ground cable shield	Consult
1	49520	Battery cover thumb screws	Consult
2	47939	Battery cover	Consult
3	49557	Battery cover gasket	Consult
4	49909	Battery holder assembly	Consult
5	19538	Cable-grip plug	Consult
6	42640	Set-up switch access screw, 1/4" x 28 NF x 1/4"	Consult
7	15626	Cable, grips PG9	Consult
8	44676	Sealing washer for set-up switch access screw, # 14	Consult
9	30375	Nylon seal rings for cable grips	Consult
10	14862	Screws, 8-32 NC x 3/8"	Consult
11	45042	Sealing washers, #8	Consult
12	47940	Enclosure backplate	Consult
13	15627	Lock nuts, PCN9	Consult
14	49558	Backplate gasket	Consult
15	14626	Nut, KEP, 6-32 NC hex	Consult
16	49954	Display and CPU board assembly	Consult
Components of Part# 49954			
	47137	Display, 6-digit	Consult
	49743	EPROM (for CPU part #48816)	Consult
	65519	EPROM (for CPU part #52380)	Consult
	71631	IC, A/D	Consult
17	47941	Enclosure	Consult
18	48790	Overlay membrane panel	Consult
19	49953	Screw, 8-32 NC x 1/2"	Consult
20	49906	AC adapter port cover	Consult
21	49904	AC adapter port gasket	Consult
23	53073	Tilt stand	Consult
24	30342	Four-cornered wing knobs for tilt stand (old style)	Consult
24	68403	Two-cornered wing knobs for tilt stand (new style)	Consult
25	15144	Nylon washers for tilt stand, 1/4" x 1" x 1/16"	Consult
26	49908	AC adapter connector assembly	Consult
27	15365	Brass spacers for board mounting	Consult
28	49905	Battery cover pad	Consult
29	49953	Screw, 8-32 NC x 1/2"	Consult
30	49910	Set-up switch assembly	Consult
32	15631	Cable tie	Consult
33	15650	Cable tie mount	Consult

(See Diagram IQ plus 390-DC-A)

IQ plus® 390 DC Digital Weight Indicator



IQ plus 390-DC-A

Indicators/Controllers

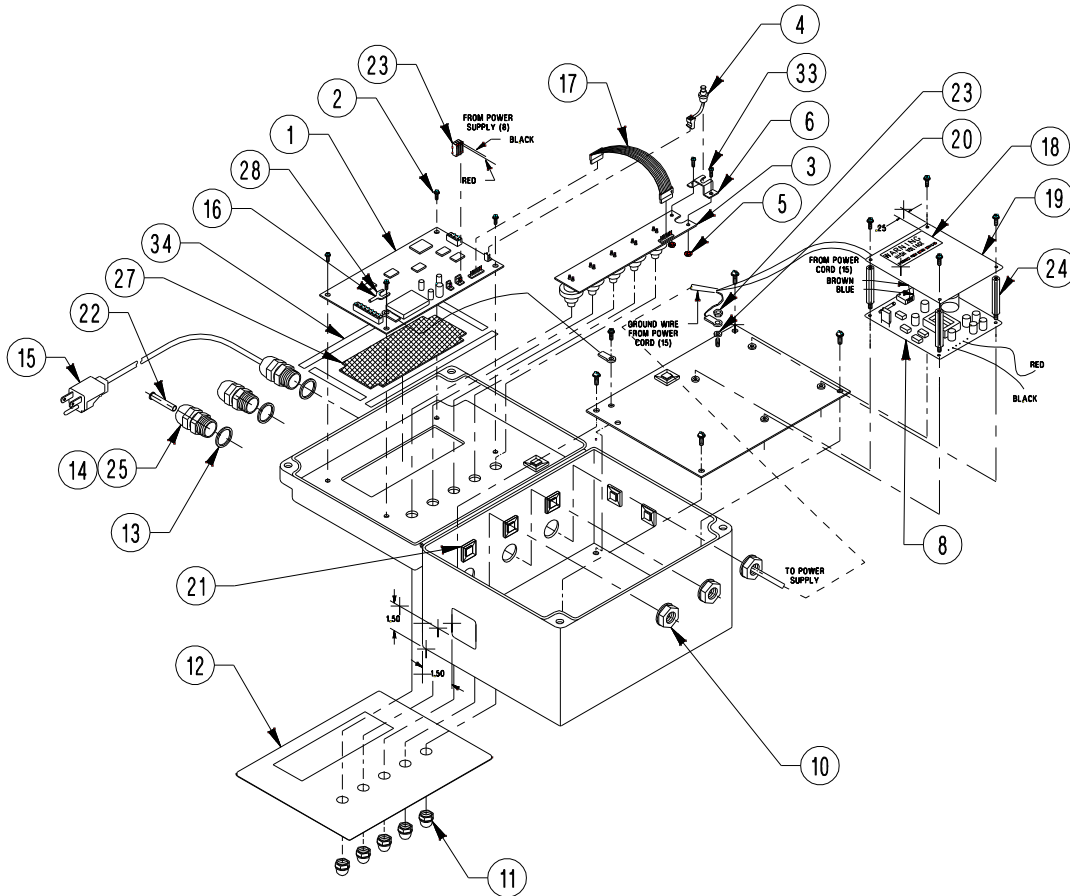
SURVIVOR® 390HE Hostile Environment Digital Weight Indicator



Part Number/Price

Ref#	Part#	Description	Price
1	76205	Display and CPU board	Consult
2	14845	Screws, 6-32 NC x 3/8"	Consult
3	53539	Push button switch assembly	Consult
4	49910	Set-up switch assembly	Consult
5	14621	Nut, KEP, 6-32 NC hex	Consult
6	53835	Set-up switch bracket	Consult
8	100065	Power supply	Consult
10	15630	Lock nuts, 1/2" NPT	Consult
11	15895	Push button covers	Consult
12	53542	Overlay	Consult
13	30376	Nylon seal rings, 1/2" NPT	Consult
14	15626	Cable grips, 1/2" NPT	Consult
15	15436	Power cord	Consult
16	15602	Ground wire	Consult
17	53844	Keypad ribbon cable assembly	Consult
19	14861	Screws, 8-32 NC x 3/8"	Consult
20	61152	Standoffs for power supply	Consult
21	15650	Cable tie mounts	Consult
21	15631	Cable ties	Consult
22	19538	Cable grip plug	Consult
23	43601	Power connector	Consult
26	15694	Crimped eye connector	Consult
	15894	Switch	Consult

(See Diagram 390-HE)



390-HE

INDICATORS
420 Universal

Part Number/Price

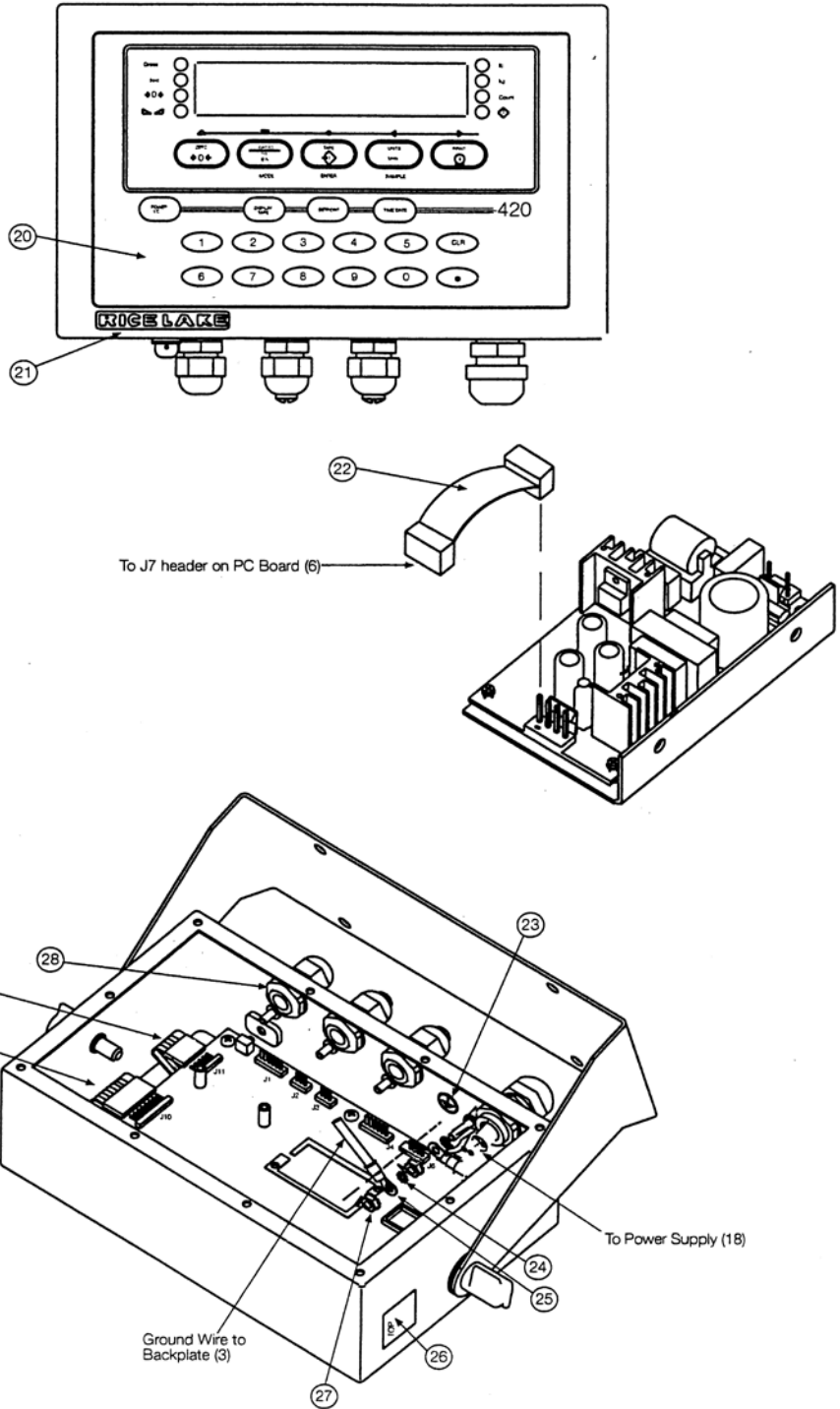
Ref#	Part#	Description	Price
	85791	Fuse 2.5 A, 5 x 20 mm (power supply)	Consult
	85127	420 universal installation manual	Consult
	85659	Analog output option	Consult
	87512	Eprom	Consult
	83564	Clear protective overlay	Consult
	85219	Parts Kit	Consult
	131525	BI battery BR2032 3V Lithium coin battery, solder mount	Consult
Components of Part# 85219			
	14626	Nut, KEP 8-32 NC Hex	Consult
	14862	Screw, MACH 8-32 NC x 3/8"	Consult
	15134	Washer, lock No 8 type A	Consult
	15664	Gland, reducing 9mm-3/8 NPT	Consult
	30623	Screw, MACH 8-32 NC x 7/16"	Consult
	42149	Bumper, rubber grommet	Consult
	94422	Label, capacity .45" x 3.22"	Consult
	45042	Washer, bonded sealing stainless steel	Consult
	53075	Clamp, ground cable shield	Consult
	53374	Label, annunciators: OZ	Consult
	70599	CONN, 6 pos screw terminal	Consult
	71125	CONN, 3 pos screw terminal	Consult
	71126	CONN, 4 pos screw terminal	Consult
	85552	Label, SEC C/CLC	Consult
	85555	Label, annunciator gray	Consult
1	14862	Screw, machine 8-32 NC x 3/8"	Consult
2	45042	Washer, bonded sealing SST	Consult
3	84387	Backplate	Consult
4	84388	Gasket, backplate	Consult
5	14839	Screw, machine 6-32 MC x 1/4"	Consult
6	88835	Board assembly, CPU	Consult
7	84386	Enclosure	Consult
8	15144	Washer, nylon 1/4" x 1" x 1/16"	Consult
9	68403	Knob, black 2-prong 1/4" - 20"	Consult
10	29635	Stand, tilt SST	Consult
11	44676	Washer, bonded sealing	Consult
12	42640	Screw, machine 1/4" - 28 NF x 1/4"	Consult
13	19538	Post only, slotted black	Consult
14	15626	Cable, grip black	Consult
15	30375	Seal ring, nylon	Consult
16	85202	Power cord assembly	Consult
17	84389	Bracket, power supply	Consult
18	76556	Power supply, switching, 85-265 VAC	Consult
	132750	DC to DC converter, 9-36 VDC	Consult
	107439	Fuse, 5 amp, 250V, 5 x 20 mm	Consult
20	84397	Overlay membrane panel	Consult
21	68216	Nameplate, Rice Lake	Consult
22	85151	Cable assembly, power supply	Consult
24	15134	Washer, lock No 8 type A	Consult
25	45043	Wire, ground 4" with No. 8	Consult
27	14626	Nut, KEP 8-32 NC hex	Consult
28	15627	Lock nut, black	Consult

(See Diagram 420-A and 420-B)



Indicators/Controllers

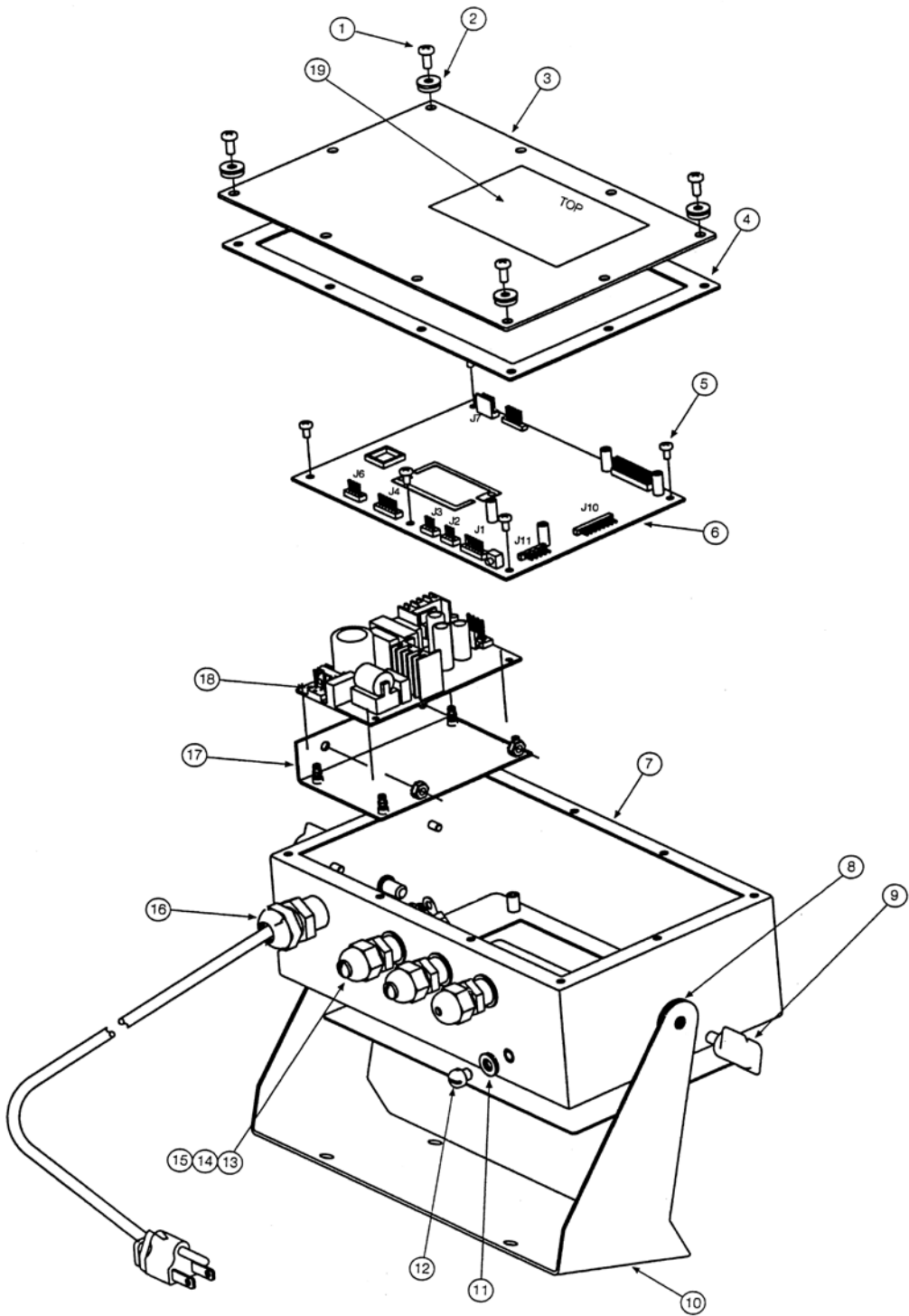
420 Universal



Indicators/Controllers

420-A

INDICATORS
420 Universal



420-B

Indicators/Controllers

SURVIVOR® 420 HE Hostile Environment Digital Weight Indicator

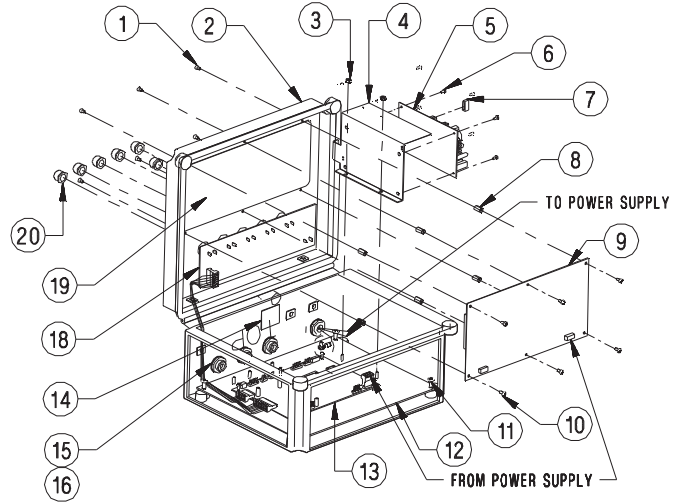
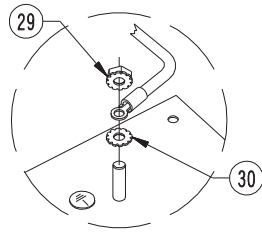


Part Number/Price

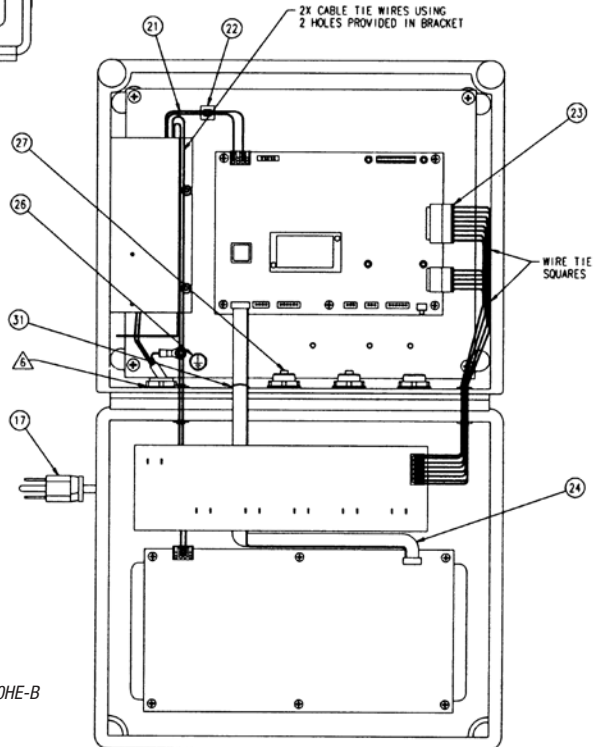
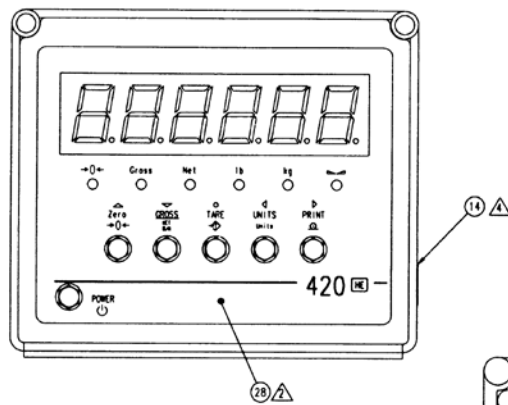
Ref#	Part#	Description	Price
	87972	LIT, manual	Consult
	87973	Parts Kit	Consult
Components of Part# 87973			
	14626	Nut, KEP 8-32 NC hex	Consult
	15134	Washer, lock No 8 type A	Consult
	15664	Gland, reducing 9 mm - 3/8 NPT	Consult
	94422	Label, capacity .45 x 3.22	Consult
	53075	Clamp, ground cable shield	Consult
	70599	CONN, 6 position screw terminal	Consult
	71125	CONN, 3 position screw terminal	Consult
	71126	CONN, 4 position screw terminal	Consult
	85555	Label, annunciator gray	Consult
1	14842	Screw, MACH 6 - 32 NC x 5/16	Consult
2	87962	Enclosure, machined 420HE	Consult
3	58248	Nut, lock 6 - 32 NC hex nylon	Consult
4	82856	Bracket, power supply	Consult
5	72996	Power supply, 12V board	Consult
6	14822	Screw, MACH 4 - 40 NC x 1/4	Consult
7	16774	Fuse cover, 5 x 20 mm blue	Consult
7	54224	Fuse, time delay 4-250V, slo-blo 5x20mm	Consult
8	58096	Standoff, FEM-FEM 6 - 32 NC	Consult
9	87808	Board, DSPL LED 2" high	Consult
10	14839	Screw, MACH 6 - 32 NC x 1/4	Consult
12	87966	Panel assemble, mounting	Consult
13	87958	Board assemble, CPU	Consult
15	15655	Cable, grip 3/8 NPT	Consult
16	15656	Lock nut, 3/8 NPT	Consult
17	85202	Power cord assemble, 120VAC	Consult
18	87971	Switch assemble, 6 push button	Consult
19	87969	Lens, filter with adhesive	Consult
20	15895	Cover, switch server NEMA 4	Consult
21	87967	Cable assemble, DC	Consult
23	88189	Cable assemble, switch board	Consult
24	88191	Cable, ribbon 17"	Consult
28	87968	Overlay, front panel	Consult
29	14626	Nut, KEP 8 - 32 NC hex	Consult
30	15134	Washer, lock no 8 type A	Consult

(See Diagrams 420HE-A and 420HE-B)

SURVIVOR® 420 HE Hostile Environment Digital Weight Indicator



420HE-A



420HE-B

Indicators/Controllers

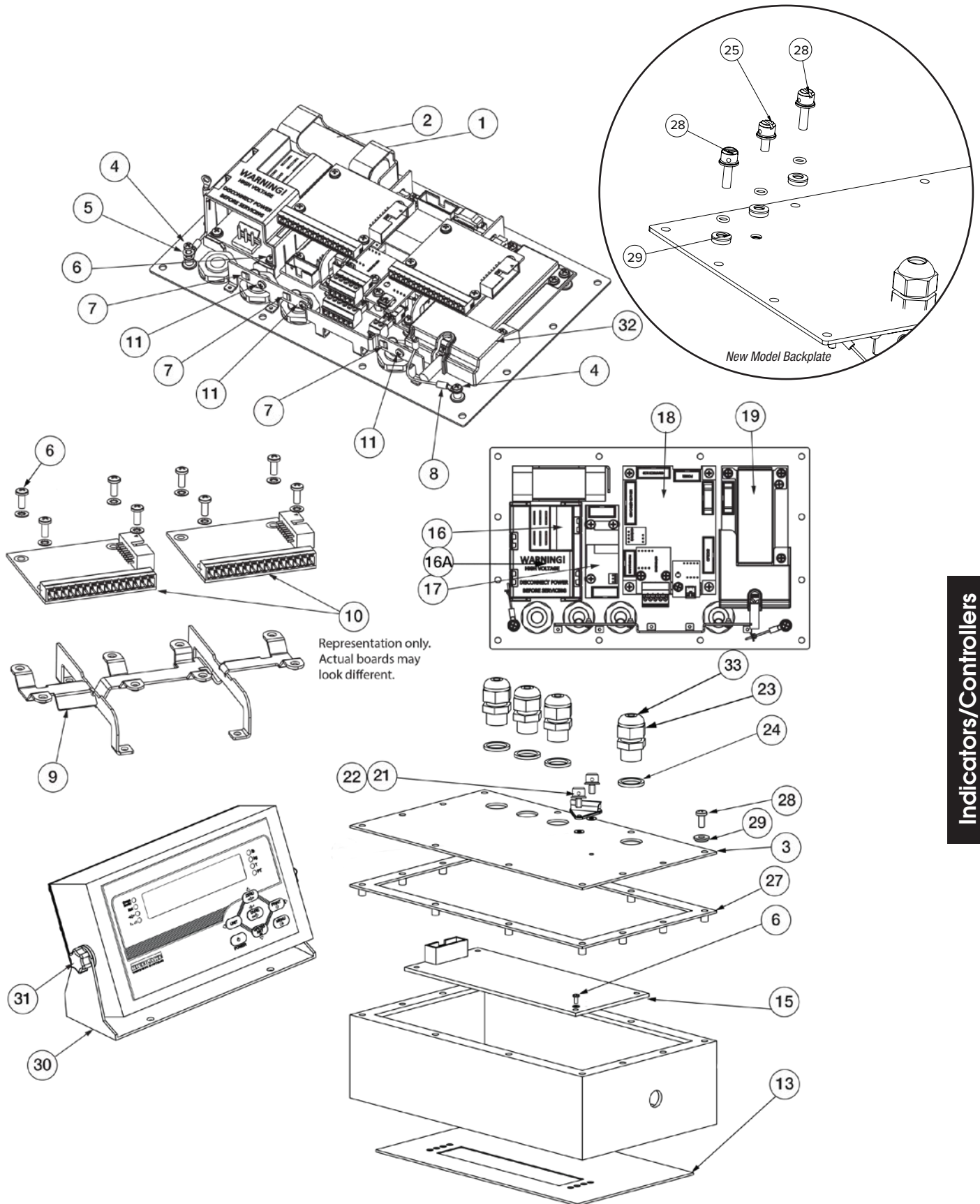
480/482 Legend Series Digital Weight Indicator Backplate



Part Number/Price

Ref#	Part#	Description	Price
	164650	Battery Kit	Consult
1	131322	Battery bracket (opt)	Consult
2	131323	Battery, rechargeable (opt)	Consult
4	14626	Nut, KEP 8-32 NC hex w/external tooth lock washer	Consult
6	14831	Screw, MACH 4-40NC x 0.3125 with lock washer	Consult
7	131333	Ground clamp, 3/16 in dia	Consult
	164580	Ground clamp, 1/4 in dia	Consult
8	131334	Ground wire, insulated	Consult
9	131340	Bracket for option module	Consult
10	131341	Analog output, 0-10VDC, 4-20mA	Consult
	131342	Relay board, 2 inputs, 4 relays	Consult
	164600	USB/Ethernet TCP/IP KIT	Consult
11	22085	Screw, MACH 4-40NC x 0.188	Consult
13	131345	Overlay, 480 6-key	Consult
	159612	Overlay, 480 Plus, numeric keypad	Consult
	161048	Overlay, 482 6-key	Consult
	161049	Overlay, 482 Plus, numeric keypad	Consult
15	131346	Display board, LED 480	Consult
	153776	Display board, LCD, 482	Consult
16	131316	Power supply, 85-265 VAC	Consult
16A	131339	Power supply cover	Consult
17	131317	Battery charger, VDC to VDC (opt)	Consult
18	131318	Board assembly, CPU	Consult
19	131319	Board, assembly, A/D	Consult
20	131324	Screw, 4-40 drilled fillister head (old style)	Consult
21	131325	Screw, 8-32 x 1/4 drilled fillister head (old style)	Consult
22	131335	O-ring	Consult
23	15626	Cord-grip, PG9	Consult
24	30375	Seal ring, nylon PG9	Consult
25	193559	6-32 x 13 mm (new style backplate)	Consult
27	131344	Gasket, backplate	Consult
28	167709	Screw, 8-32NC x 1/2	Consult
29	75062	Washer, bonded sealing #8 x 0.4375	Consult
30	164912	Tilt stand	Consult
31	164577	Knob & washer, M6 thread	Consult
	164604	Ethernet cable with cord grip, 6 ft	Consult
	167707	USB cable with cord grip, type A 78.7 inch (200 cm)	Consult
	167708	USB cable with cord grip, type B male 78.7 inch (200 cm)	Consult
	164602	USB cable with cord grip, type A 6 inch (20 cm)	Consult
	88733	Vent, breather vent	Consult
	88734	Nut, breather vent	Consult
	103462	2-position screw terminal	Consult
	76513	4-position screw terminal	Consult
	76514	6-position screw terminal	Consult
	157223	15-position screw terminal	Consult
	155230	Ribbon cable CPU to display	Consult
	155231	Ribbon cable CPU to A/D	Consult
	155232	Ribbon cable PS to CPU board	Consult
	155233	Ribbon cable CPU to option	Consult
	155234	Power cord 115 VAC, NEMA 5-15 plug	Consult
	155235	Power cord 230 VAC, Euro CEE 7/7 plug	Consult
	131314	Parts Kit	Consult
32	164579	A/D sealing cover	Consult
33	19538	Post plug, slotted back	Consult
Components of Part# 131314			
	94422	Label, capacity	Consult
	53374	Label, annunciators	Consult
	14862	Screw, 8-32NC x 3/8	Consult
	45042	Washer, bonded sealing #8 x 0.375	Consult
	76514	Conn, 6-pin for LC and RS-232 ports	Consult
	103462	Conn, 2-pin for 20 mA port	Consult
	131320	Screw, fillister 8-32NC x 1/2	Consult

480/482 Legend Series Digital Weight Indicator Backplate



Indicators/Controllers

INDICATORS

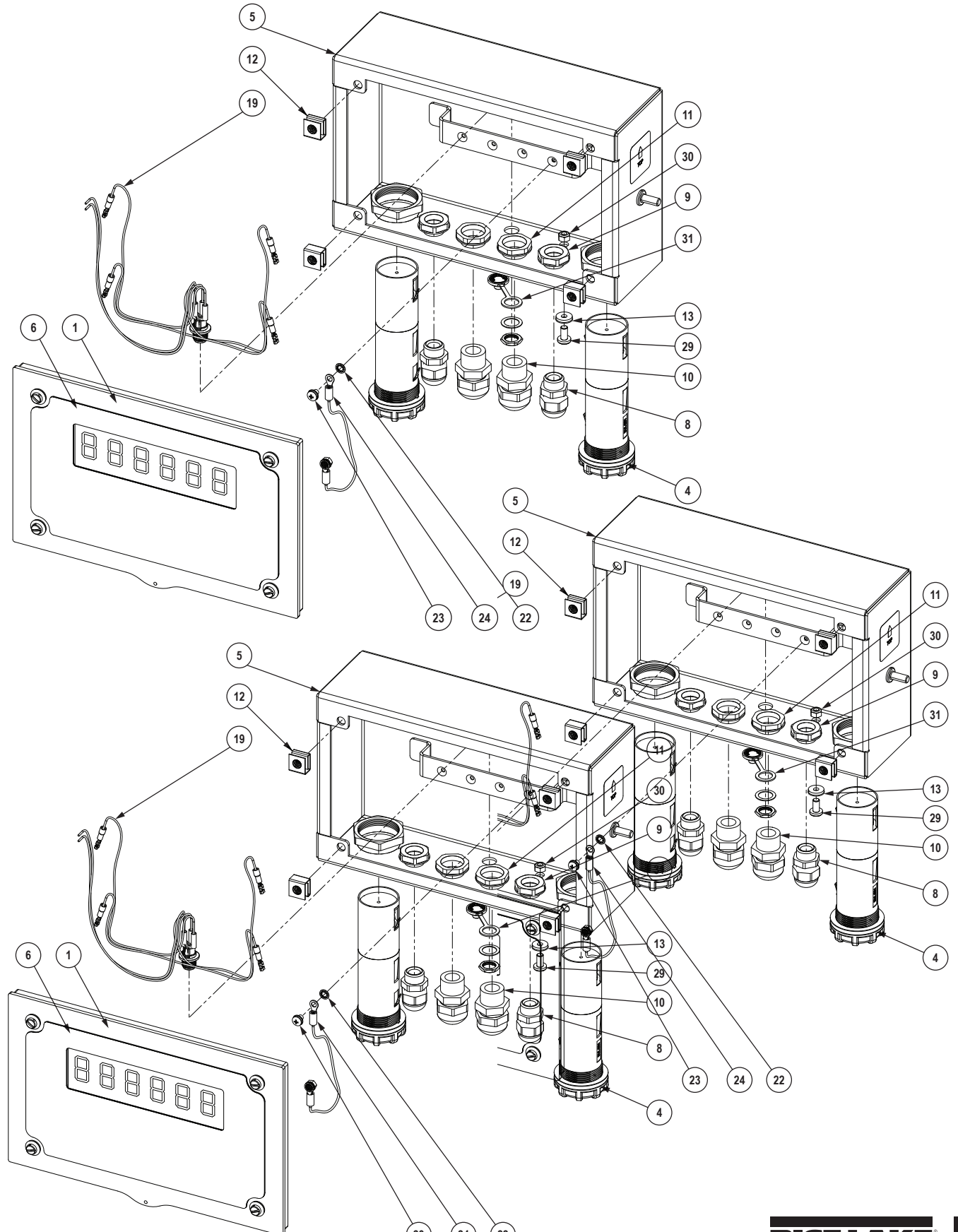
380 Synergy Series



Part Number/Price

Ref#	Part#	Description	Price
1	201041	Front cover, 380 Universal battery powered	Consult
2	206406	Board assy, CPU 380 indicator main CPY board, rohs	Consult
3	202064	Spacer, round nylon M3 x 0.250 x .260	Consult
4	205136	Holder, battery 2c c-size battery holder, front panel IP67 bulgin bxs002-1	Consult
5	201040	Enclosure, 380 universal battery powered	Consult
6	202824	Overlay, 380 synergy indicator	Consult
7	203691	Gasket, 380 synergy battery powered indicator	Consult
8	15626	Cord grip, PG9 plastic	Consult
9	15627	Lock nut, PG9 plastic	Consult
10	68600	Cord grip, PG11	Consult
11	68601	Nut, PG11 black nylon	Consult
12	205800	Nut, M5x0.8 clip on floating hex nut zinc plated	Consult
13	46381	#10, bonded sealing washer, 18-8 stainless steel	Consult
14	205687	Screw, mach M5x0.8x25 mm slotted drilled cheese head sst	Consult
15	202061	Nut, M3x0.5 hex kep sst	Consult
16	29635	Stand, tilt sst	Consult
17	103988	Washer, nylon .515-.52	Consult
18	180825	Knob, M6x1 threaded thru 32 mm dia 7-lobe nylon zn-pltd steel	Consult
19	204557	Cable assy, power harness 380 synergy	Consult
20	205753	Standoff, M3x0.5x12 mm f/f nickel plated brass	Consult
21	180826	Nut, kep M4x0.7 external tooth lock washer 18-8 sst	Consult
22	180856	Washer, M4 internal tooth sst	Consult
23	194488	Screw, mach M4-0.7x6 phillips pan head zinc finish steel external tooth washer sems machine screw	Consult
24	15601	Wire, ground 6 in w/no 8 eye connector	Consult
25	88733	Vent, breather sealed gortex membrane black plastic	Consult
26	88734	Nut, breather vent M12x1 thread	Consult
29	150800	Screw, mach M5-0.8x10 pan phillips sst	Consult
30	187876	Nut, lock M5 nylon insert A2 sst	Consult
31	205294	Seal, power jack seal cap	Consult
32	205884	Washer, M5 self-retaining nylon 0.177 id x 0.453 od x 0.032	Consult

INDICATORS
380 Synergy Series



Indicators/Controllers

INDICATORS

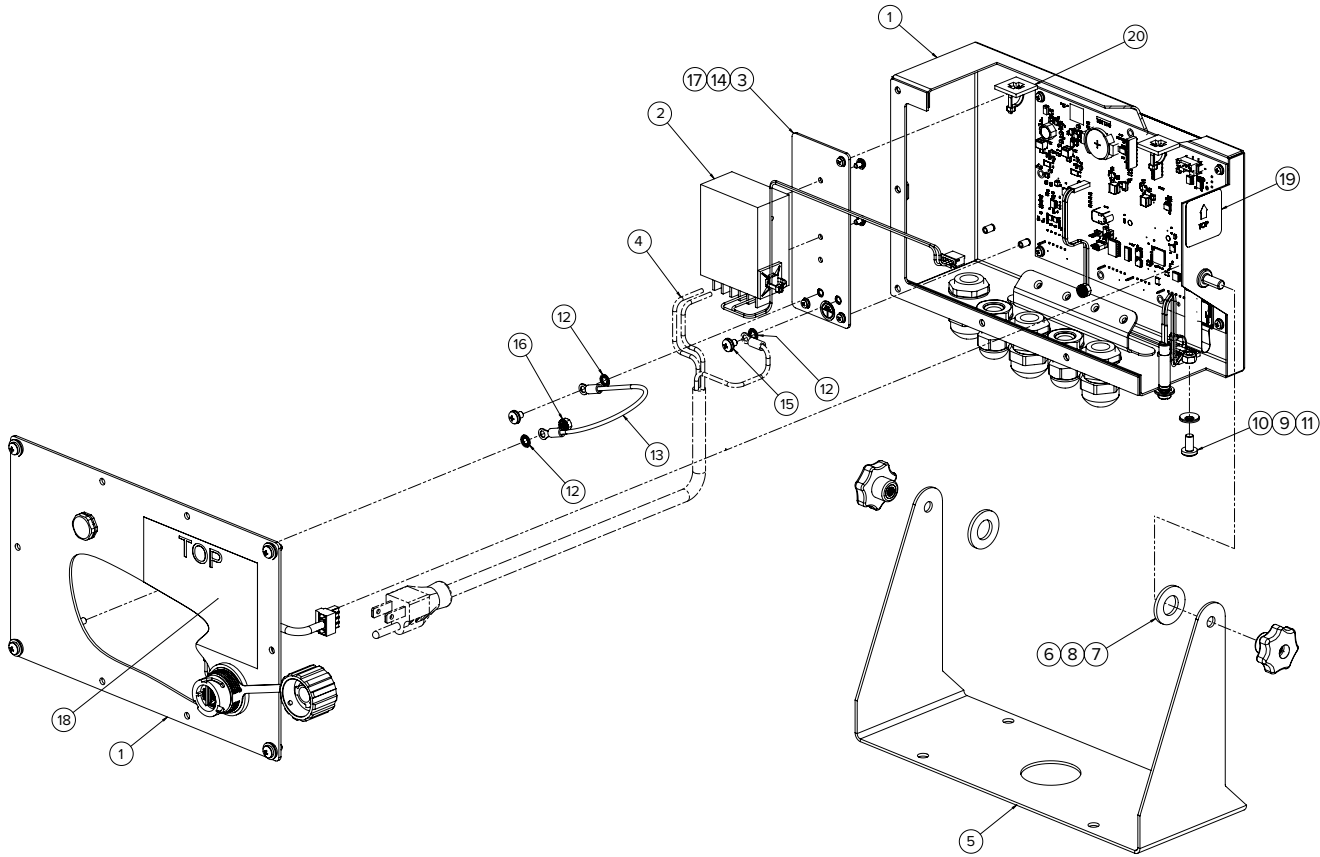
680 Synergy Series



Part Number/Price

Ref#	Part#	Description	Price
1	193281	Power supply,12V 15W Meanwell RS-15-12	Consult
2	192439	Bracket, power supply Meanwell 15 and 25 Watt	Consult
3	180842	Power cord assy, belt scale indicator NEMA 5-15	Consult
4	180850	Power cord assy, belt scale integrator Europe CEE7/7	Consult
5	29635	Stand,tilt sst	Consult
6	103988	Washer, nylon .515 - .52 ID x 1.00 x .093-.094 thick white nylon 6/6	Consult
7	180825	Knob,M6x1 threaded thru 32 mm dia 7-lobe nylon zn-pltd steel	Consult
8	46381	#10, Bonded sealing washer, 18-8 stainless steel	Consult
9	150800	Screw, mach M5-0.8 X 10 pan Phillips sst	Consult
10	187876	Nut, lock M5 nylon insert A2 sst	Consult
11	180856	Washer, M4 internal tooth sst	Consult
12	15601	Wire, ground 6 in w/ho 8 eye connector	Consult
13	199474	Screw, mach M3-0.5X5 Phillips pan head zinc finish steel external tooth washer SEMS machine screw	Consult
14	194488	Screw, mach M4-0.7X6 Phillips pan head zinc finish steel external tooth washer SEMS machine screw	Consult
15	180826	Nut, Kep M4x0.7 external tooth lock washer 18-8 sst	Consult
16	16892	Label, ground protective Earth adhesive IEC 60417-5019	Consult
17	53307	Label, 4.000x2.875	Consult
18	53308	Label, 4.000x2.875	Consult
19	15650	Mount, cable tie 3/4 in 4	Consult
20	15631	Cable tie, 3 in nylon	Consult

INDICATORS
680 Synergy Series



Indicators/Controllers

INDICATORS

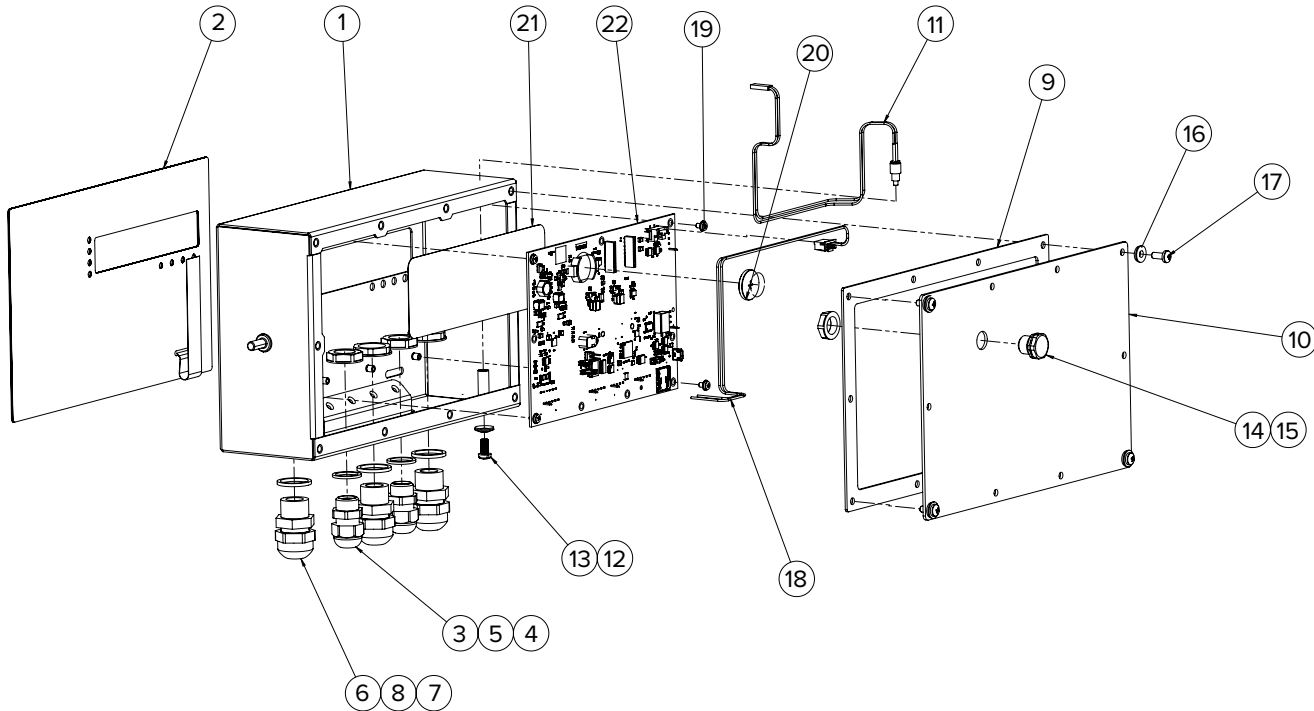
680 Synergy Series



Part Number/Price

Ref#	Part#	Description	Price
1	190142	Enclosure, 680 Plus indicator multi-segment LED display	Consult
2	190230	Overlay, 680 Plus indicator membrane switch with numeric keys	Consult
3	15626	Cord grip	Consult
4	15627	Lock nut	Consult
5	30375	Seal ring	Consult
6	68600	Cord grip	Consult
7	68601	Nut	Consult
8	68599	Seal ring	Consult
9	84388	Gasket, backplate 420 and 320IS indicator	Consult
10	192562	Backplate, 680 Universal with gore vent, no options	Consult
11	193108	Setup switch assy, remote 680 682	Consult
12	46381	#10, Bonded sealing washer, 18-8 stainless steel	Consult
13	180861	Screw, mach M5x0.8x10 mm slotted drilled cheese head sst	Consult
14	88733	Vent, breather sealed gortex membrane black plastic	Consult
15	88734	Nut, breather vent M12x1 thread	Consult
16	75062	#8 Bonded seaing washer 7/16 OD sst	Consult
17	193230	Screw, mach M4x0.7x10 Phillips pan head sst	Consult
18	193337	Cable assy, 680 power harness, 2 POS, flying lead	Consult
19	199474	Screw, mach M3-0.5x5 Phillips pan head zinc finish steel external tooth washer sems machine screw	Consult
20	71408	Battery, CR2032 3V Lithium Manganese Dioxide	Consult
21	196109	Shield, ESD lens fo 680	Consult
22	195684	680 Replacement CPU with battery installed for field replacements	Consult

INDICATORS
680 Synergy Series

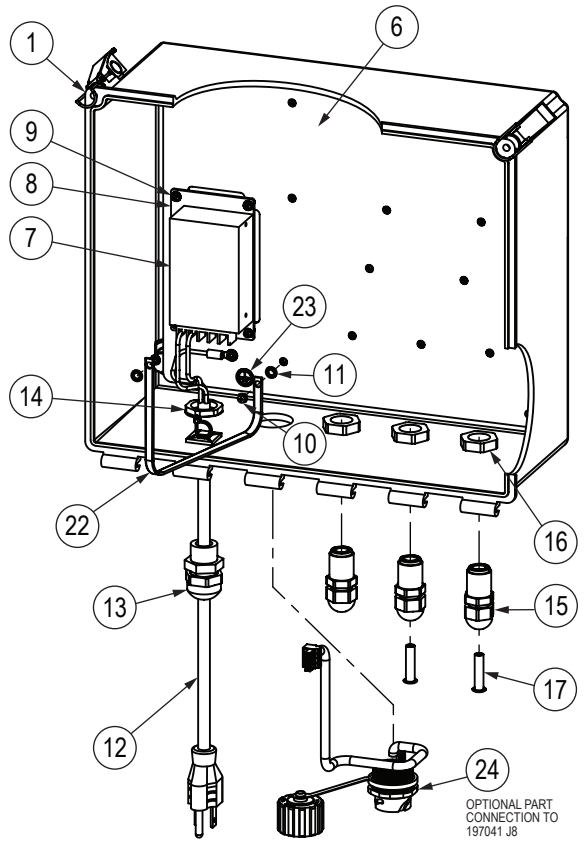
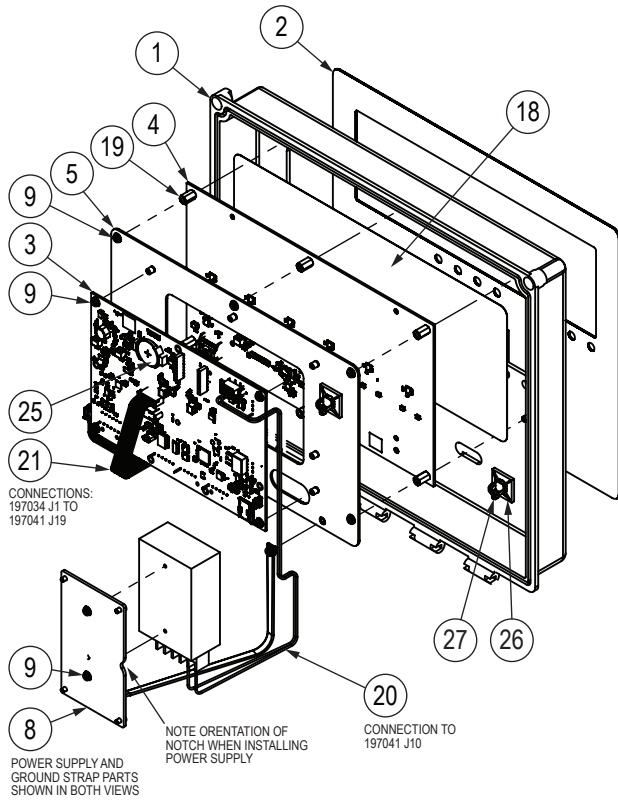


Indicators/Controllers

680HE**Part Number/Price**

Ref#	Part#	Description	Price
1	196705	Enclosure, machined FRP	Consult
	199370	Enclosure, machined FRP with RJ45 option	Consult
2	197174	Overlay, 680HE indicator membrane switch with numeric keys	Consult
3	197041	CPU board assembly, ROHS	Consult
4	197034	Display board assembly, ROHS	Consult
5	197981	Front panel assembly, CPU mount	Consult
6	197982	Back panel assembly, power supply mount	Consult
7	92463	Power supply, switching 90-264VAC input, 12VDC output 2.1A, 25W	Consult
8	199008	Plate, 680HE power supply	Consult
9	194487	Screw, machine M3-0.5 x 6 Phillips pan head steel external tooth washer SEMS	Consult
10	202140	Screw, machine M4-0.7x10 Phillips Pan Head External Tooth Washer SEMS	Consult
11	180856	Washer, M4 internal tooth sst	Consult
12	180842	AC power cord assembly, NEMA 5-15	Consult
13	68600	Cord grip, PG11	Consult
14	68601	Nut, PG11 black nylon	Consult
15	15655	Cord grip, 3/8 NPT	Consult
16	15656	Lock nut, 3/8 NPT	Consult
17	19538	Cord grip post, slotted black seal 1/4 x 1	Consult
18	199410	Shield, ESD lens for 680HE	Consult
19	130470	Male-FEM standoff, M3-0.5 x 10 mm nickel plated brass	Consult
20	199514	Cable assembly, power harness, 2 position, flying lead	Consult
21	197697	Cable assembly, display harness, 6 position	Consult
22	199573	Ground strap, 304 mm jacketed tinned braid M4 ring terminals	Consult
23	16892	Label, ground protective earth adhesive, IEC 60417-5019	Consult
24	200296	RJ45 cable assembly option, RJ45 bulkhead to four position 3.50 mm spacing connector	Consult
25	71408	Battery, CR2032 3V Lithium Manganese Dioxide	Consult
26	15650	Mount, cable tie 3/4 inch	Consult
27	15631	Cable tie, 3 inch nylon	Consult
-	200034	680HE indicator parts kit	Consult
-	30911	Mounting foot kit	Consult

INDICATORS
680HE



Indicators/Controllers

INDICATORS
682 AC

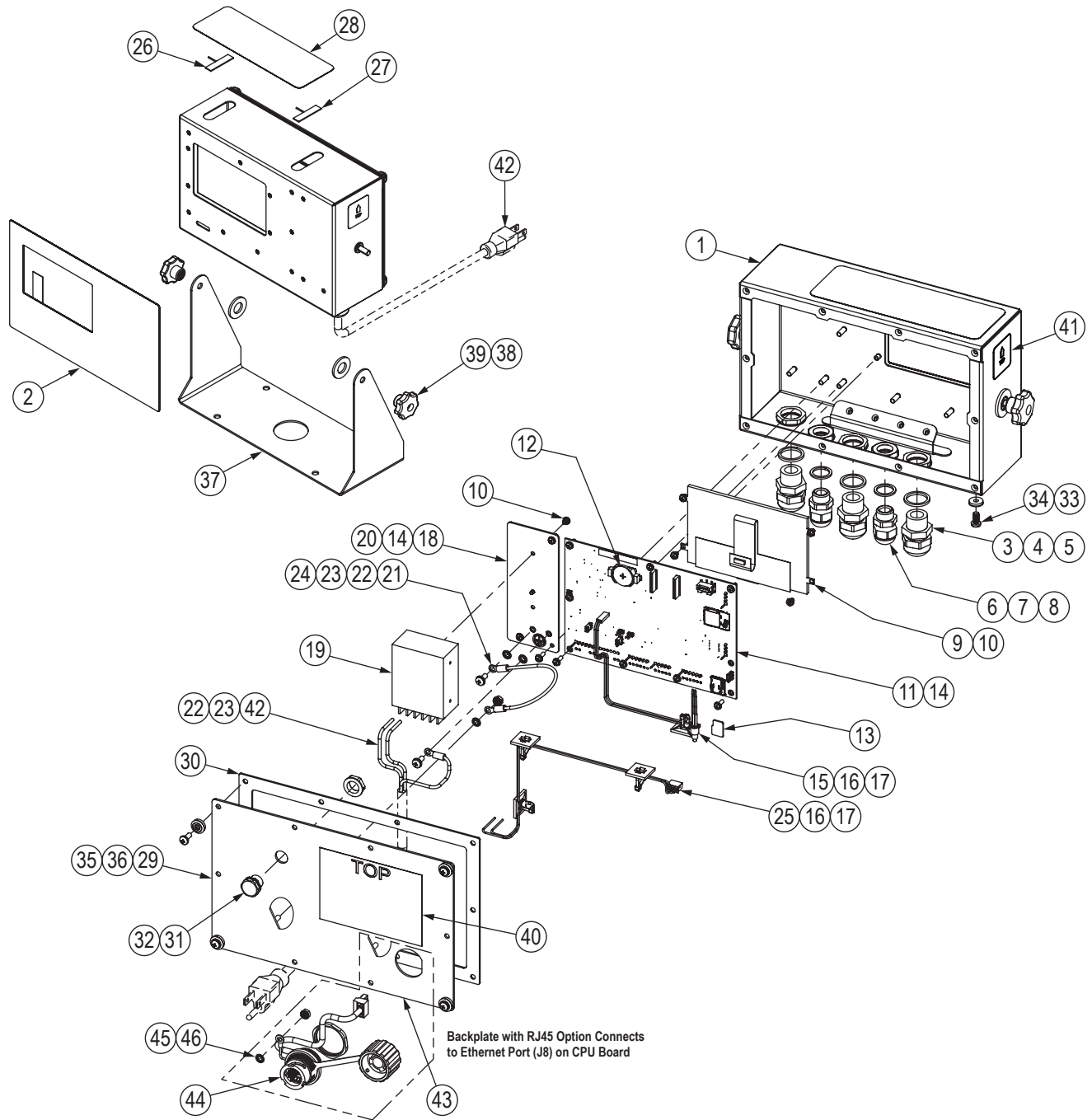


Part Number/Price

Ref#	Part#	Description	Price
1	190231	Enclosure, 682 Plus indicator LCD display	Consult
2	190232	Overlay, 682 Plus membrane switch with numeric keys	Consult
3	68600	Cord grip, PG-11	Consult
4	68599	Seal ring, PG-11	Consult
5	68601	Lock nut, PG-11	Consult
6	15626	Cord grip, PG-9	Consult
7	30375	Seal ring, PG-9	Consult
8	15627	Lock nut, PG-9	Consult
9	202248	Display, 5-inch LCD, 500 NIT, 800 X 480	Consult
10	199474	Machine screw M3-0.5 X 5 Phillips head, zinc SEMS with external tooth washer	Consult
11	211701	CPU board assembly with battery and memory card installed, ROHS	Consult
12	71408	Battery, CR2032 3V lithium	Consult
13	164939	Memory, 8G Micro SDHC Class 4 with SD adapter and USB reader	Consult
14	206442	Machine screw, M3-0.5 x 10 Phillips head, zinc SEMS with external tooth washer	Consult
15	193108	Setup switch assembly	Consult
16	15650	Mount, cable tie, 3/4 inch	Consult
17	15631	Cable tie, 3 inch nylon	Consult
18	192439	Bracket, power supply	Consult
19	193281	Power supply, 12V, 15W	Consult
20	16892	Label, ground protective earth IEC	Consult
21	15601	Ground wire, 6 inch w/ no. 8 eye connector	Consult
22	180856	Washer, M4 internal tooth	Consult
23	202140	Machine screw, M4-0.7 x 10 Phillips head, zinc SEMS with external tooth washer	Consult
24	180826	Nut, KEP M4 x 0.7 external tooth lock washer	Consult
25	193337	Cable assembly, power harness, 2 position, flying lead	Consult
26	206509	Antenna, 2.4/5 GHz strip RF, PCB trace 100 mm cable	Consult
27	206510	Antenna, 2.4/5 GHz strip RF, PCB trace 200 mm cable	Consult
28	207345	Overlay, 682 antenna cover black	Consult
29	192562	Backplate with GORE vent hole	Consult
30	84388	Gasket, backplate	Consult
31	88733	Vent, breather sealed Gortex membrane	Consult
32	88734	Nut, breather vent M12 x 1 thread	Consult
33	46381	Washer, bonded sealing SST #10 x 0.50 OD	Consult
34	180861	Machine screw, M5 x 0.8 x 10 mm slotted drilled cheese head	Consult
35	193230	Machine screw, M4 x 0.7 x 10 Phillips pan head	Consult
36	75062	Washer, bonded sealing #8, 7/16 OD	Consult
37	29635	Tilt stand, SST	Consult
38	103988	Washer, nylon 0.515 - 0.52	Consult
39	180825	Knob, M6 x 1 threaded, 32mm diameter	Consult
40	53307	Label, 4.0 x 2.875	Consult
41	53308	Label, 1.25 x 1.25 8000T	Consult
42	180842	Power cord assembly, Nema 5-15	Consult
	180850	Power cord assembly, Europe CEE7/7	Consult
	196900	Power cord assembly, UK plug BS1363, pigtail w/ring terminal	Consult
	196901	Power cord assembly, Australia/New Zealand 3112 plug, pigtail w/ring terminal	Consult
Additional Parts Specific to 682 Indicator with RJ45 Option			
43	198676	Backplate with Gore vent hole, RJ45 option <i>NOTE: Replaces 192562 in RJ45 option</i>	Consult
44	200296	RJ45 cable assembly, RJ45 bulkhead to four position 3.50 mm spacing connector	Consult
45	180856	Washer, M4 internal tooth	Consult
46	180826	Nut, KEP M4x0.7 external tooth lock washer	Consult

Indicators/Controllers

INDICATORS
682 AC



Indicators/Controllers

INDICATORS
682 DC

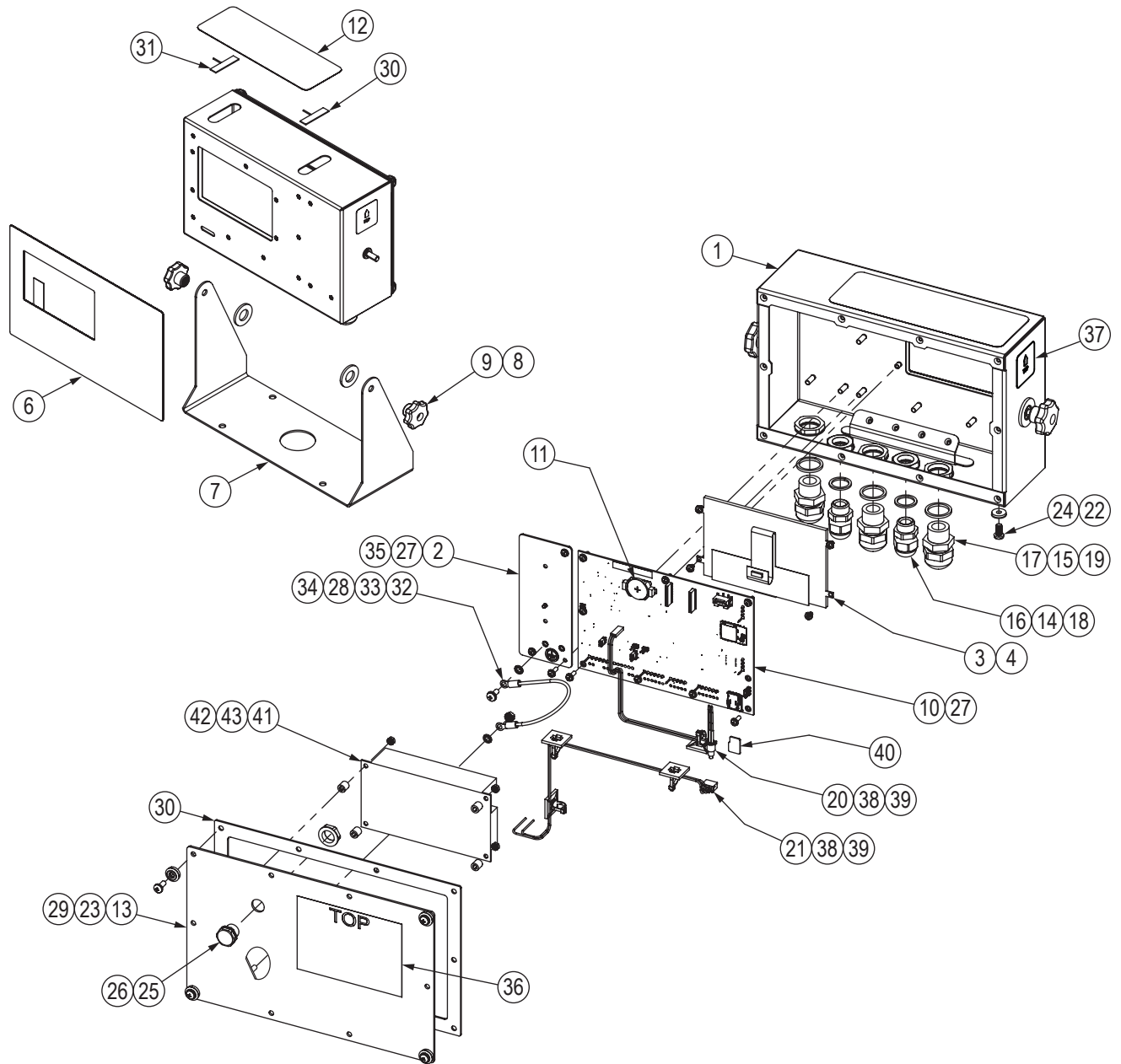


Part Number/Price

Ref#	Part#	Description	Price
1	190231	Enclosure, 682 Plus indicator LCD display	Consult
2	192439	Bracket, power supply	Consult
3	199474	Machine screw M3-0.5 X 5 Phillips head, zinc SEMS with external tooth washer	Consult
4	202248	Display, 5-inch LCD, 500 NIT, 800 X 480	Consult
5	84388	Gasket, backplate	Consult
6	190232	Overlay, 682 Plus membrane switch with numeric keys	Consult
7	29635	Tilt stand, SST	Consult
8	103988	Washer, nylon 0.515 - 0.52	Consult
9	180825	Knob, M6 x 1 threaded, 32mm diameter	Consult
10	211701	CPU board assembly with battery and memory card installed, ROHS	Consult
11	71408	Battery, CR2032 3V lithium	Consult
12	207345	Overlay, 682 antenna cover black	Consult
13	211928	Backplate,682 DC with Gore vent hole	Consult
14	30375	Seal ring, PG-9	Consult
15	68599	Seal ring, PG-11	Consult
16	15626	Cord grip, PG-9	Consult
17	68600	Cord grip, PG-11	Consult
18	15627	Lock nut, PG-9	Consult
19	68601	Lock nut, PG-11	Consult
20	193108	Setup switch assembly	Consult
21	193337	Cable assembly, power harness, 2 position, flying lead	Consult
22	46381	Washer, bonded sealing SST #10 x 0.50 OD	Consult
23	75062	Washer, bonded sealing #8, 7/16 OD	Consult
24	180861	Machine screw, M5 x 0.8 x 10 mm slotted drilled cheese head	Consult
25	88733	Vent, breather sealed Gortex membrane	Consult
26	88734	Nut, breather vent M12 x 1 thread	Consult
27	206442	Machine screw, M3-0.5 x 10 Phillips head, zinc SEMS with external tooth washer	Consult
28	202140	Machine screw, M4-0.7 x 10 Phillips head, zinc SEMS with external tooth washer	Consult
29	193230	Machine screw, M4 x 0.7 x 10 Phillips pan head	Consult
30	206510	Antenna, 2.4/5 GHz strip RF, PCB trace 200 mm cable	Consult
31	206509	Antenna, 2.4/5 GHz strip RF, PCB trace 100 mm cable	Consult
32	15601	Ground wire, 6 inch w/ no. 8 eye connector	Consult
33	180856	Washer, M4 internal tooth	Consult
34	180826	Nut, KEP M4 x 0.7 external tooth lock washer	Consult
35	16892	Label, ground protective earth IEC	Consult
36	53307	Label, 4.0 x 2.875	Consult
37	53308	Label, 1.25 x 1.25 8000T	Consult
38	15650	Mount, cable tie, 3/4 inch	Consult
39	15631	Cable tie, 3 inch nylon	Consult
40	164939	Memory, 8G Micro SDHC Class 4 with SD adapter and USB reader	Consult
41	209417	Power supply, DC/DC +12V, 9-36VDC input 30 watt	Consult
42	202064	Spacer, round nylon M3x0.250 OD x 0.260	Consult
43	202061	Nut, M3x0.5 hex KEP SST	Consult

Indicators/Controllers

INDICATORS
682 DC



Indicators/Controllers

IQ plus® 590-DC Digital Weight Indicator

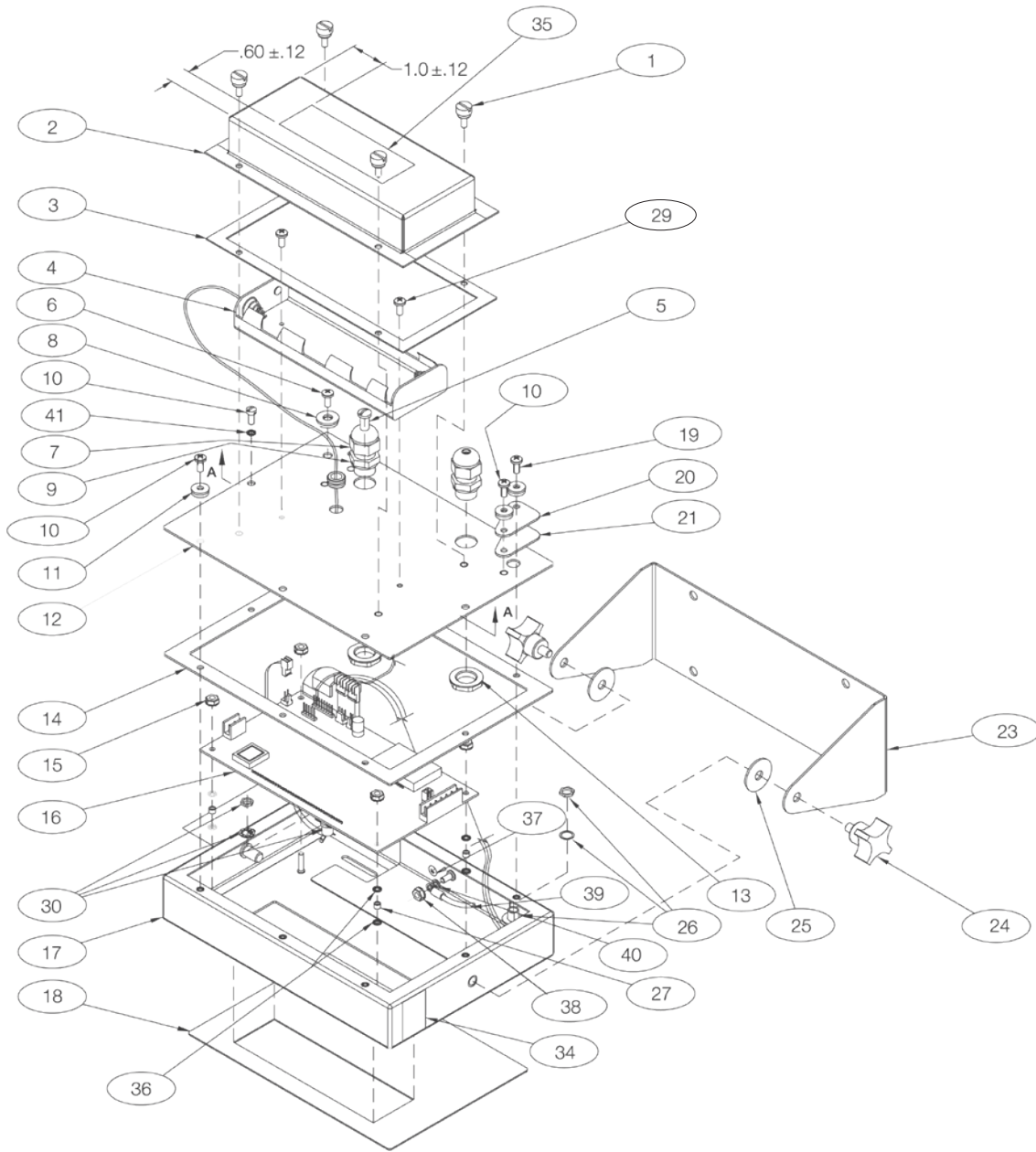


Part Number/Price

Ref#	Part#	Description	Price
	49978	AC adapter, 115VAC	Consult
	49977	AC adapter, 230VAC (requires plug 104782)	Consult
	104782	230VAC European style plug	Consult
	51778	Installation manual	Consult
	52754	Parts kit	Consult
Components of Part# 52754			
	14626	Nut, KEP 8 - 32 NC x hex	Consult
	14862	Screw, 8 - 32 NC x 3/8	Consult
	15133	Washer, lock No. 8, type A	Consult
	15888	Terminal block, 3 position	Consult
	23165	Terminal block, 7 position	Consult
	30623	Screw, Machine 8 - 32 NC x 7/16	Consult
	42149	Bumpers, rubber	Consult
	94422	Label, capacity	Consult
	45042	Washer, bonded sealing, SST	Consult
	52753	Label, identification	Consult
	53374	Label, annunciators	Consult
	67550	Clamp, ground cable shield	Consult
	66730	Filter, snap-on ferrite, CE	Consult
1	49520	Battery cover thumb screws	Consult
2	47939*	Battery cover, 4" x 4.5" (old style)	Consult
	71352	Battery cover, 3" x 7" (new style)	Consult
3	49557	Battery cover gasket (old style)	Consult
	71354	Battery cover gasket (new style)	Consult
4	49909	Battery holder assembly metal	Consult
	71448	Battery holder assembly plastic	Consult
5	19538	Cable grip plug	Consult
6	42640	Set-up switch access screw, 1/4 x 28 NF x 1/4	Consult
7	15626	Cable grips, PG9	Consult
8	44676	Sealing washer for set-up switch access screw, # 14	Consult
9	30375	Nylon seal rings for cable grips	Consult
10	14862	Screws, 8 - 32 NC x 3/8	Consult
11	45042	Sealing washers, no. 8	Consult
12	51970	Enclosure backplate (old style) (obsolete)	Consult
	71435	Enclosure backplate (new style)	Consult
13	15627	Lock nuts, PCN9	Consult
14	52382	Backplate gasket	Consult
15	14626	Nut, KEP, 6 - 32 NC hex	Consult
16	52469	Display and CPU board assembly	Consult
Component of Part# 52469			
	47137	Display 6-digit	Consult
	52564	Eprom	Consult
	71631	IC, A/D	Consult
17	51971	Enclosure	Consult
18	51972	Overlay membrane panel	Consult
19	49953	Screw, 8 - 32 NC x 1/2	Consult
20	49906	AC adapter port cover	Consult
21	49904	AC adapter port gasket	Consult
23	53073	Tilt stand	Consult
24	30342	Four-cornered wing knobs for tilt stand (old style)	Consult
	68403	Two-cornered wing knobs for tilt stand (new style)	Consult
25	15144	Nylon washers for tilt stand, 1/4 x 1 x 1/16	Consult
26	49908	AC adapter connector assembly	Consult
27	15365	Brass spacers for board mounting	Consult
29	14825	Screws, 4 - 40 NC x 1/4	Consult
30	49910	Set-up switch assembly	Consult
36	15130	Lock washers, internal tooth, No. 6, Type A	Consult
38	14626	Nut, KEP, 8 - 32 NC hex	Consult
39	45043	Ground wire, 4", No. 8	Consult

(See Diagram IQ plus 590-DC-A)

IQ plus® 590-DC Digital Weight Indicator



IQ plus 590-DC-A

Indicators/Controllers

INDICATORS

720i™ Panel Mount Enclosure

Panel Model



Shown with control box

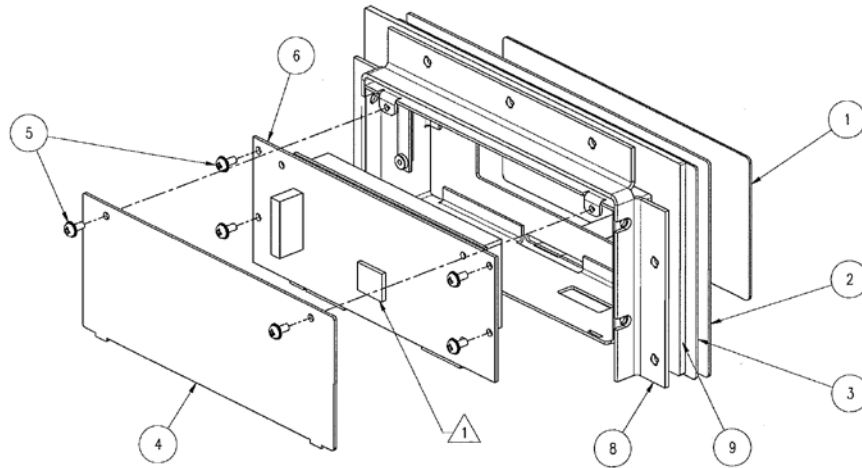
Part Number/Price

Ref#	Part#	Description	Price
720i Panel - A Parts			
	102380	Panel mount display	Consult
	101233	720i controller box	Consult
1	101256	Panel mount overlay	Consult
2	101265	Panel enclosure	Consult
3	68719	Faceplate gasket	Consult
4	102605	Panel backplate	Consult
5	14822	MACH 4 - 40 NC x 1/4 screw	Consult
6	101239	Display board assembly (includes display)	Consult
	101244	LCD display (panel mount)	Consult
8	69787	Clinching bracket	Consult
9	82426	Backing SST plate	Consult
	83567	Clear protective overlay	Consult
	103121	Installation manual 720i	Consult
	103580	720i panel parts kit	Consult
Components of Part# 103580			
	53075	Ground cable shield clamp	Consult
	71522	MACH 8-32NC x 1/4 screw	Consult
	76514	6 pos screw terminal CONN	Consult
	82425	MACH 10-32NFX 1.50 screw	Consult
	94422	Capacity .50 x 4.68 label	Consult
<i>(See Diagram 720i Panel-A)</i>			
720i Panel - B Parts			
	85791	Fuse, 5 x 20 mm	Consult
	103656	720i controller parts kit	Consult
Components of Part# 103656			
	104033	720i software tool kit CD	Consult
	14626	KEP 8 - 32 NC hex nut	Consult
	14862	MACH 8 - 32 NC x 3/8 screw	Consult
	15134	Lock no 8 type A washer	Consult
	15694	Eye crimp no 8 CONN	Consult
	15888	3 position terminal block	Consult
	16178	Plastic ziploc 6 x 9 bag	Consult
	30623	MACH 8 - 32 NC 7/16 screw	Consult
	53075	Ground cable shield clamp	Consult
	71344	10 pos screw CONN for J6	Consult
	76513	4 pos screw terminal CONN for J3 and J5	Consult
	76514	6 pos screw terminal CONN for J1, J2 and J4	Consult
	94422	Capacity .50 x 4.68 label	Consult
1	103314	Controller box cover	Consult
2	103677	720i controller box label	Consult
3	67796	Power supply cable assembly	Consult
4	69291	3V coin lithium battery	Consult
5	106788	CPU board assembly	Consult
6	14822	MACH 4 - 40 NC x 1/4 screw	Consult
7	101264	Controller enclosure	Consult
9	14825	MACH 4 - 40 NC x 1/4 screw	Consult
10	103681	AC feed through header	Consult
11	16892	Earth ground label	Consult
12	15601	Ground 6" with no 8 wire	Consult
13	67885	Male-FEM 4 - 40 NC standoff	Consult
14	67613	Power supply, AC 25W	Consult
14	132791	Power supply, 12-24 VDC 25W	Consult
15	85494	Protective plastic cover	Consult
16	16861	Warning label high	Consult
17	54206	MACH 6 - 32 x 3/8 screw	Consult
18	14626	KEP 832 NC hex nut	Consult
19	14839	MACH 6 - 32 NC x 1-4 screw	Consult
21	15134	Lock no 8 type A washer	Consult
22	71698	Polyurethane foam strip	Consult

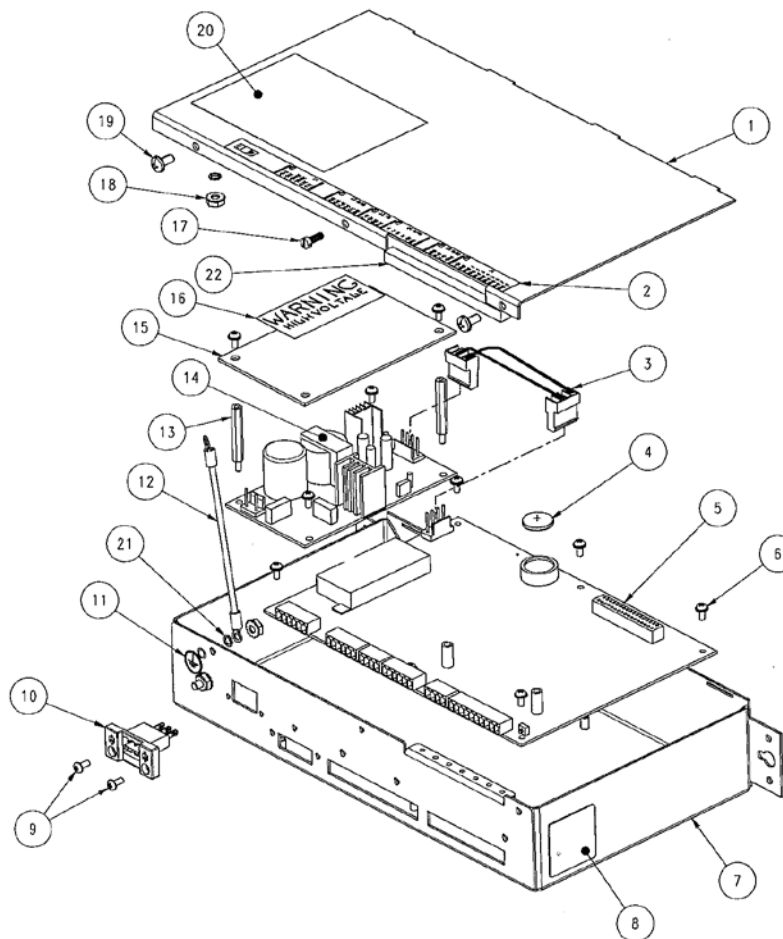
(See Diagram 720i Panel-B)

720i™ Panel Mount Enclosure

Panel Model



720i-Panel-A



720i-Panel-B

Indicators/Controllers

INDICATORS

720i™ Universal Digital Weight Indicator

Universal Model



Part Number/Price

Ref#	Part#	Description	Price
1	101257	Switch panel membrane, universal	Consult
3	101263	Enclosure, universal	Consult
4	103988	Tilt stand washers, in parts kit	Consult
5	103610	Tilt stand knobs, in parts kit	Consult
6	67531	Tilt stand	Consult
7	15628	Cord-grip, 1/2 NPT	Consult
8	15626	Cord-grips, PG9	Consult
9	15630	Lock nut for 1/2 NPT Cord-grip	Consult
10	68600	Cord-grip, PG11	Consult
11	15627	Lock nuts, PCN9	Consult
12	68601	Lock nut, PG11	Consult
13	45043	Ground wire, 4" with no. 8 eye connector	Consult
14	102887	Display board assembly, universal (display not included)	Consult
	102888	LCD display (240 x 64, universal)	Consult
15	85202	Power cord assembly, 115VAC and 230VAC North American units	Consult
15	85203	Power cord assembly, 230VAC European units	Consult
16	67885	Standoffs, M-F, 4 - 40 NC x 3/4	Consult
17	14618	Nut, KEP, 4 - 40 NC hex	Consult
18	103443	CPU board mounting strip	Consult
19	106788	720i CPU board (PCE Version)	Consult
20	102376	Backplate gasket, universal	Consult
21	75062	Sealing washers*	Consult
22	14862	Machine screws, 8 - 32 NC x 3/8*	Consult
23	14626	Nut, KEP, 8 - 32 NC*	Consult
25	69291	3V Lithium coin battery	Consult
26	103989	Standoffs, F-F, 4 - 40 x 1.06	Consult
27	14825	Machine screws, 4 - 40 NC x 1/4	Consult
28	102888	LCD display module, 240 x 64, universal	Consult
29	16861	High voltage warning label (1)	Consult
30	67796	Power supply cable assembly, to CPU board	Consult
31	67613	Power supply, VAC, 25W	Consult
31	132791	Power supply, 12-24 VDC, 25W	Consult
32	103442	Power supply bracket	Consult
33	103936	Component plate	Consult
35	16892	Ground/earth label	Consult
36	15134	Lock washers, No. 8, Type A	Consult
37	30376	Nylon seal ring for 1/2 NPT Cord-grip	Consult
38	30375	Nylon seal rings for PG9 Cord-grips	Consult
39	68599	Nylon seal ring for PG11 Cord-grip	Consult
40	102377	Universal backplate	Consult
41	103458	Ribbon 7" cable assembly	Consult
42	103609	Cable assembly	Consult
	85791	Fuse, 5 x 20 mm	Consult
	102375	Parts kits, 720i Universal	Consult
Components of Part# 102375			
	104033	720i Software Tool Kit CD	Consult
	103988	Tilt stand washers	Consult
	103610	Tilt stand knobs	Consult
	42149	Rubber feet for tilt stand	Consult
	30623	Machine screws, 8-32NC x 7/16	Consult
	14626	Nut, KEP, 8-32NC	Consult
	14862	Machine screws, 8-32NC x 3/8	Consult
	15134	Lock washers, No. 8, Type A	Consult
	15631	Cable ties	Consult
	15665	Reducing gland for 1/2 NPT Cord-grip	Consult
	19538	Cord-grip plugs	Consult
	53075	Cable shield ground clamps	Consult
	75062	Sealing washers	Consult
	71344	10-position screw terminal for J6	Consult
	76513	4-position screw terminals for J3 and J5	Consult
	76514	6-position screw terminals for J1, J2 and J4	Consult
	94422	Capacity label	Consult

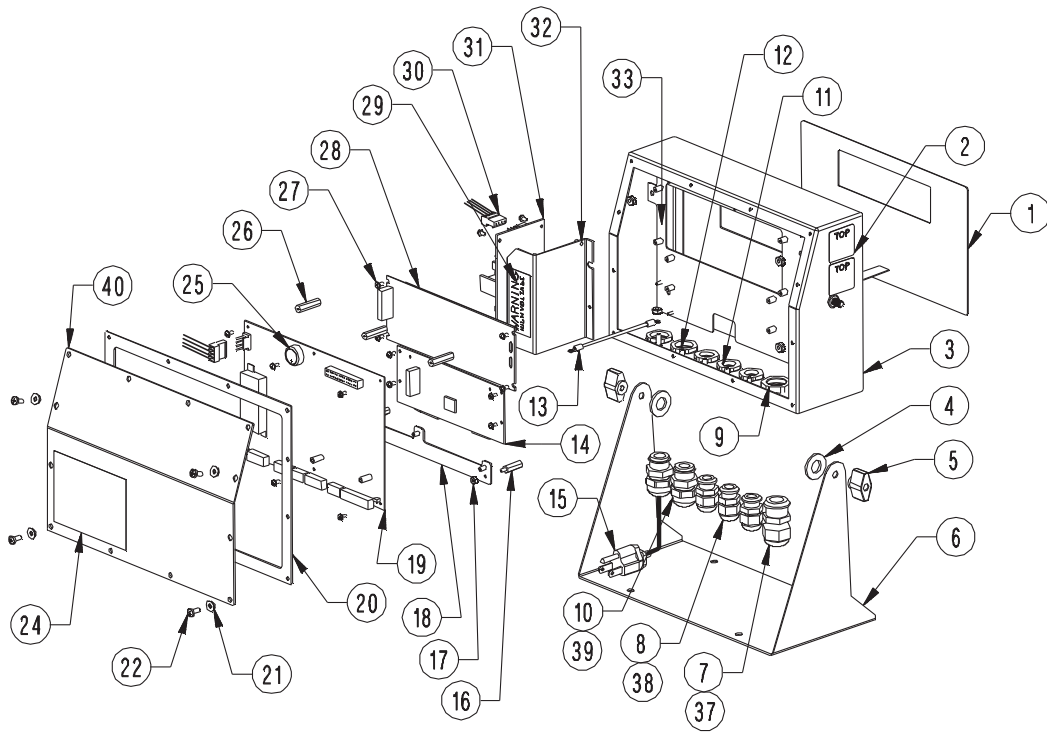
* Additional parts included in parts kit (See Diagram 720i-A)

Indicators/Controllers

720i™ Universal Digital Weight Indicator

Universal Model

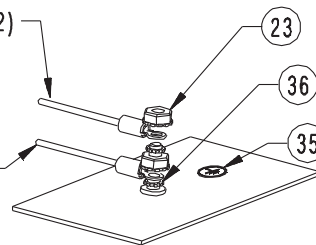
Ref#	Part#	Description	Price
	67601	Digital I/O, 24-channel	Consult
	67602	Analog output: selectable 0-10 V, 0-20 mA	Consult
	67604	Serial, dual channel	Consult
	77142	Ethernet TCP/IP Port (replaces serial port 2)	Consult
	71986	Ethernet TCP/IP module (installed in option slot)	Consult
	87803	Ethernet IP (specifically for A-B PLC)	Consult
	108671	Wireless LAN Card 802.11 A/B	Consult
	68539	Allen-Bradley Remote I/O interface	Consult
	68540	Profibus™ DP interface	Consult
	68541	DeviceNet™ interface	Consult



720i-A

GROUND WIRE (13) TO BACKPLATE (22)

GROUND WIRE FROM POWER
CORD ASSEMBLY (15)



GROUNDING STACKUP

Indicators/Controllers

INDICATORS

820i® Panel Mount Indicator/Controller

Main Assembly



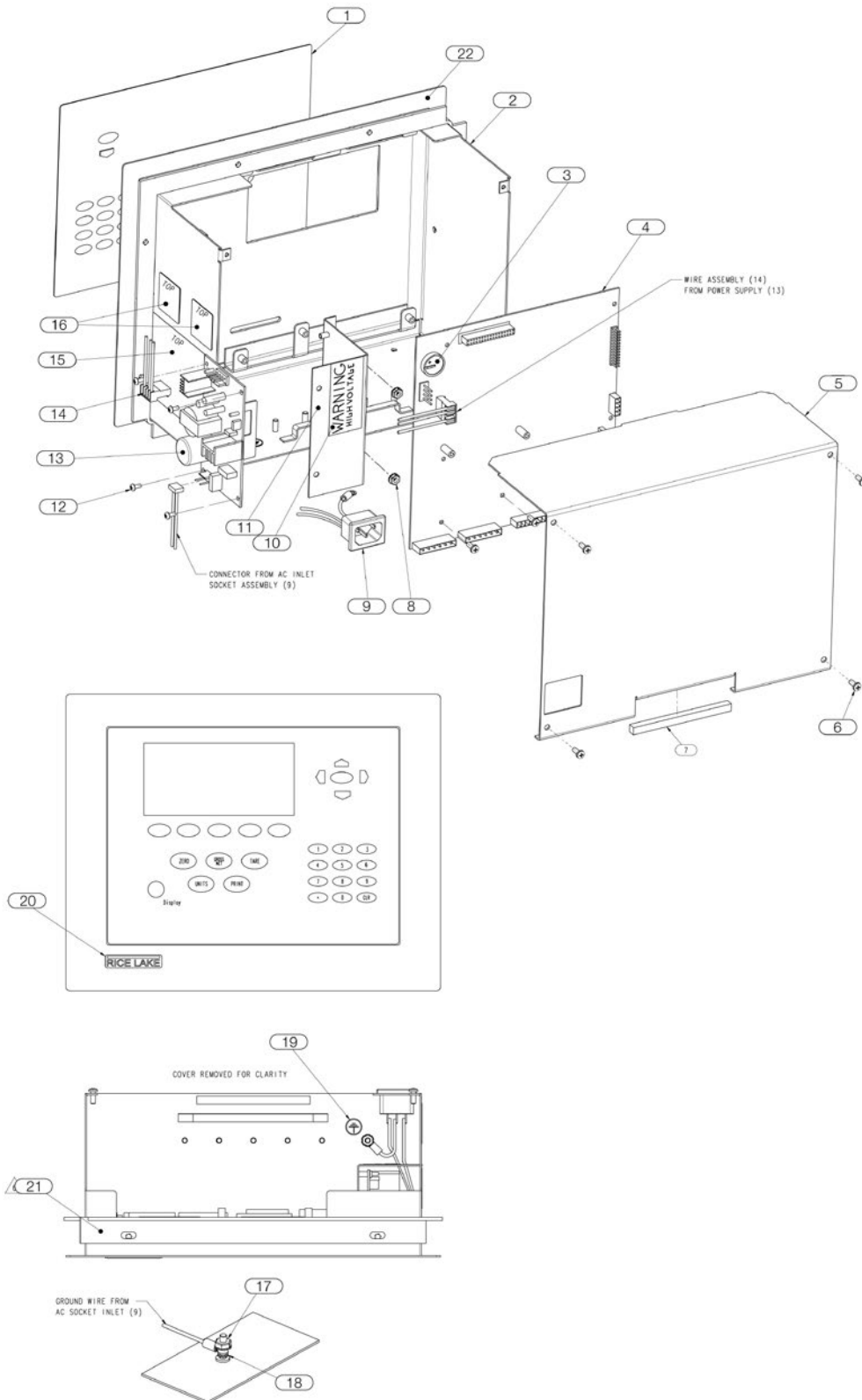
Part Number/Price

Ref#	Part#	Description	Price
1	93247	Membrane switch overlay	Consult
2	94823	Stainless steel weldment enclosure	Consult
3	69291	3V coin lithium battery	Consult
4	102331	CPU/display board assembly (single channel)	Consult
	102333	CPU/display board assembly (dual channel)	Consult
	93246	Display, LCD module, transmissive, indoors (included on CPU)	Consult
	100758	Display, LCD module, transfective, outdoors	Consult
5	94824	820i panel mount cover	Consult
6	14839	MACH 6 - 32 NC x 1/4 screw	Consult
7	71698	Polyurethane foam strip	Consult
8	58248	6 - 32 NC hex nylon lock nut	Consult
9	97907	AC input 820i cable assembly	Consult
11	94392	25W power supply bracket	Consult
12	14822	MACH 4 - 40 NC x 1/4 screw	Consult
13	67613	Power supply VAC 25W	Consult
	132791	DC/DC converter 12-24 VDC, 25W	Consult
14	67796	Power supply cable assembly	Consult
17	14626	8 - 32 NC hex Nut, KEP	Consult
18	15134	Lock no 8 type A washer	Consult
21	71095	Clinching welded bracket	Consult
22	69144	Faceplate gasket	Consult
	15438	Power cord	Consult
	93018	Installation manual	Consult
	95304	820i panel mount instructions	Consult
	94436	Parts kit, 820i dual	Consult
	94435	Parts kit, 820i single	Consult
	67601	Digital I/O, 24-channel option	Consult
	67602	Analog output: selectable 0-10V, 0-20 mA option	Consult
	103138	Analog output dual channel 0-10V, 0-20mA option	Consult
	67604	Serial, dual channel option	Consult
	87697	Analog input and thermocouple option	Consult
	68541	DeviceNet™ interface option	Consult
	68539	Allen-Bradley™ Remote I/O interface option	Consult
	68540	Profibus™ DP interface option	Consult
	71986	Ethernet TCP/IP 10/100 Base-T module (internal) option	Consult
	87803	EtherNet/IP (for A-B PLC) option	Consult
Components of Part #94435			
	14626	8 - 32 NC hex Nut, KEP	Consult
	15133	No 8 type A lock washer	Consult
	15887	6-position terminal block	Consult
	53075	Ground cable shield clamp	Consult
	54206	MACH 6 - 32 NC x 3/8 screw	Consult
	71344	10-position screw connector J5 and J11	Consult
	71522	MACH 8 - 32 NC x 1/4 screw	Consult
	76513	4-position screw terminal connector J9	Consult
	76514	6-position screw terminal connector J10	Consult
	77925	Revolution II CD	Consult
	82425	MACH 10 - 32 NF x 1.50 screw	Consult
	94422	.50 x 4.68 capacity label	Consult

(See Diagram 820i-A)

820i® Panel Mount Indicator/Controller

Main Assembly



Indicators/Controllers

Diagram 820i-A

INDICATORS

820i® Universal Indicator/Controller

Main Assembly



Part Number/Price

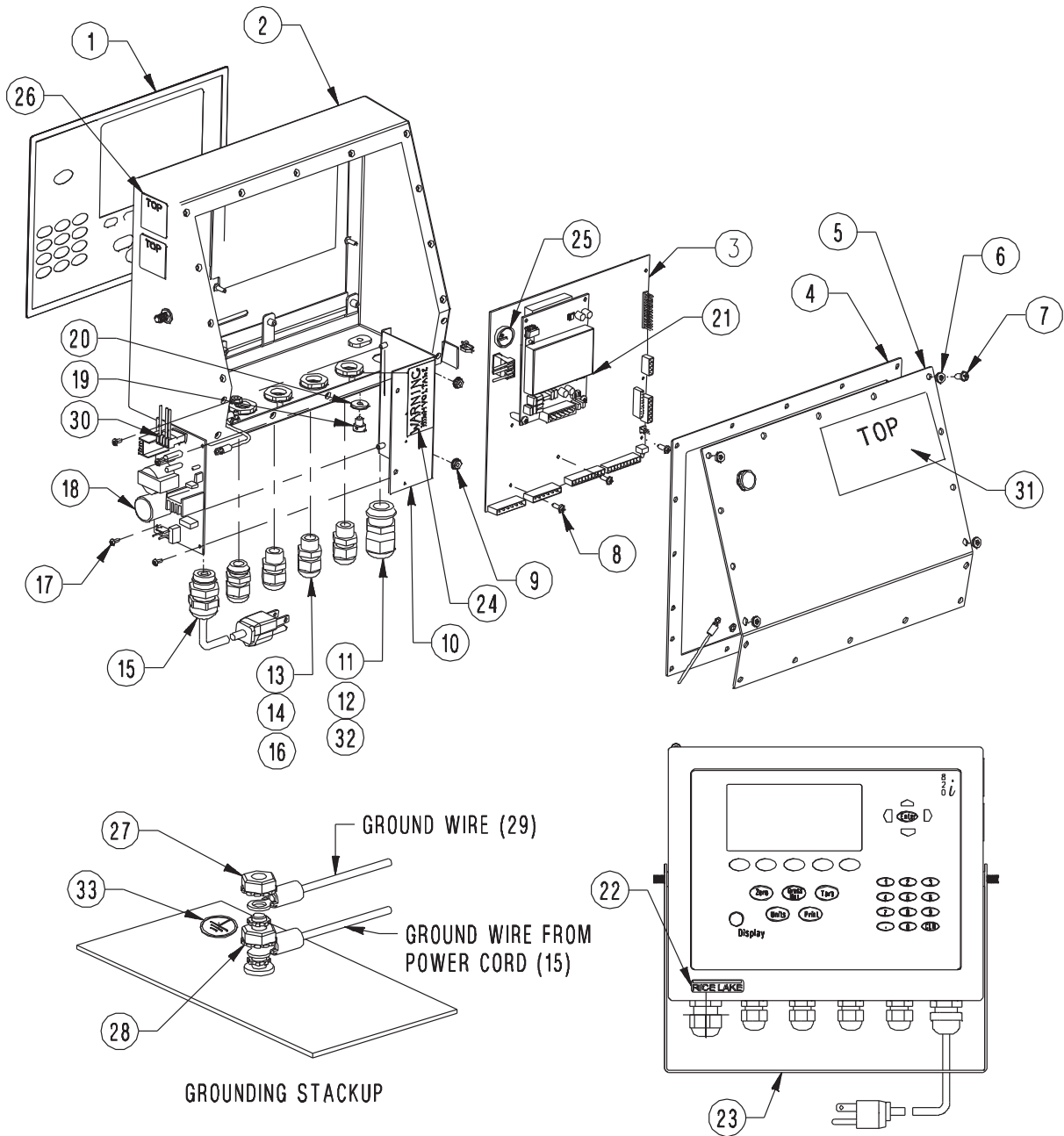
Ref#	Part#	Description	Price
	93018	Installation manual 820i	Consult
	94140	Parts kit, 820i dual	Consult
	94139	Parts kit, 820i single	Consult
Components of Part# 94139			
	15887	Connector, 6-position J7-J8 LC A/D	Consult
	19538	Post, slotted back	Consult
	42149	Bumper, rubber grommet	Consult
	83569	Clear protective overlay	Consult
	53075	Clamp, ground shield clamp	Consult
	103610	Knob, black with 1/4-20 post	Consult
	68403	Knob, black 2 prong	Consult
	71344	Connector, 10-position J5 and J11	Consult
	76513	Connector, 4-position J9	Consult
	76514	Connector, 6-position J10	Consult
	94422	Label, capacity	Consult
1	93247	Overlay, membrane switch	Consult
2	93618	Enclosure, 820i housing	Consult
3	102331	CPU/display board assembly single channel	Consult
	102333	CPU/display board assembly dual channel	Consult
	93246	Display, LCD module, transmissive, indoors (included on CPU)	Consult
	100758	Display, LCD module, transreflective, outdoors (alternative display)	Consult
4	67532	Gasket, back plate	Consult
5	68424	Backplate, universal	Consult
6	75062	Washer, bonded sealing SS	Consult
7	14862	Screw, machine 8 - 32 NC x 3/8	Consult
8	14839	Screw, machine 6 - 32 NC x 1/4	Consult
9	58248	Nut, lock 6 - 32 NC hex nylon	Consult
10	94392	Bracket, 820i 25W power	Consult
11	15628	Cord-grip, 1/2 NPT black	Consult
12	15630	Lock nut, 1/2 NPT black	Consult
13	15626	Cable, grip black PG9	Consult
14	15627	Lock nut, black PCN9	Consult
15	85202	Power cord assembly 120VAC	Consult
16	30375	Seal ring, nylon PG9	Consult
17	14822	Screw, machine 4 - 40 NC x 1/4	Consult
18	67613	Power supply, VAC 25W	Consult
	132791	DC/DC converter 12-24 VDC, 25 W	Consult
19	42640	Screw, machine 1/4 - 28 NF x 1	Consult
20	44676	Washer, bonded sealing	Consult
21	67601	Digital I/O, 24-channel option	Consult
	67602	Analog output: selectable 0-10V, 0-20 mA option	Consult
	103138	Analog output dual channel 0-10V, 0-20mA option	Consult
	67604	Serial, dual channel option	Consult
	87697	Analog input and thermocouple option	Consult
	68541	DeviceNet™ interface option	Consult
	68539	Allen-Bradley® Remote I/O interface option	Consult
	68540	Profibus® DP interface option	Consult
	71986	Ethernet TCP/IP 10/100 Base-T module (internal) option	Consult
	87803	EtherNet/IP (for A-B PLC) option	Consult
23	67531	Stand, tilt 920i	Consult
24	16861	Label, warning high	Consult
25	69291	Battery, 3V coin lithium	Consult
27	14626	Nut, KEP 8 - 32 NC hex	Consult
28	15134	Washer, lock no 8 type A	Consult
29	45043	Wire, ground 4" with no. 8	Consult
30	67796	Cable assembly, power supply	Consult
32	30376	Seal ring, nylon 1/2 NPT	Consult
33	16892	Label, earth ground	Consult

(See Diagram 820i-A)

Indicators/Controllers

820i® Universal Indicator/Controller

Main Assembly



Indicators/Controllers

820i-A

INDICATORS

880 Panel Mount

5.0in and 5.5in



Part Number/Price

Ref#	Part#	Description	Price
	151674	Display Assembly, 880 Panel Mount (Includes items 1-7)	Consult
1	131740	Overlay, Membrane Switch	Consult
2	151663	Faceplate, Display 880	Consult
3	151667	Gasket, Faceplate 880	Consult
4	131598	Board Assy, 880 LED Display	Consult
5	14822	Screw, Mach 4-40NC x 1/4	Consult
6	156439	Backer, Plate With DIN	Consult
7	14621	Nut, KEP 6-32NC HEX	Consult
8	151668	Cable Assy, Controller to Display	Consult

(See Diagram 880 Display Assembly)

880 (5.0 in wide)

	152235	Parts Kit, AC Power 880 (Includes items below)	Consult
	153647	Parts Kit, DC Power 880 (Includes items below)	Consult
	152334	Conn, 3 Pos Screw Terminal (AC Option)	Consult
	15888	Conn, 3 Pos Screw Terminal (DC Option)	Consult
	153873	Conn, 3 Pos Screw Terminal	Consult
	153883	Conn, 6 Pos Screw Terminal	Consult
	14621	Nut, KEP 6-32NC HEX	Consult
	15130	Washer, Lock No 6	Consult
	157074	Ferrite, EMI/RFI Clamp-on	Consult
	53075	Clamp, Ground Cable Shield Large	Consult
	67550	Clamp, Ground Cable Shield Small	Consult
	94422	Label, Capacity 0.40 x 4.63	Consult
	151672*	Controller, 880 Green-Board Design (Includes items 9-20)	Consult
9	14838	Screw, Mach 6-32NC x 1/4	Consult
10	65685	Washer, Flat .3750D .156ID	Consult
11	151664	Hook, Left DIN Rail Clip	Consult
	151665	Hook, Right DIN Rail Clip	Consult
12	131745	Bracket, DIN Rail Clip 880	Consult
13	153856	Screw, Mach 6-32NCx1/4	Consult
14	151661	Enclosure, extrusion 3.50 x 5.00 in.	Consult
16	151666	BackPlate, CPU no option	Consult
	152373	BackPlate, Relay Option	Consult
	156668	BackPlate, Analog Option	Consult
	156669	BackPlate, CompactCom Option	Consult
17	14822	Screw, Mach 4-40 NC x 1/4	Consult
18	69291	Battery, 3v Coin Lithium	Consult
20	154762	Cable Assy, CPU Board To Power Supply	Consult

(See Diagram 880 Controller Enclosure for 5.0 in wide)

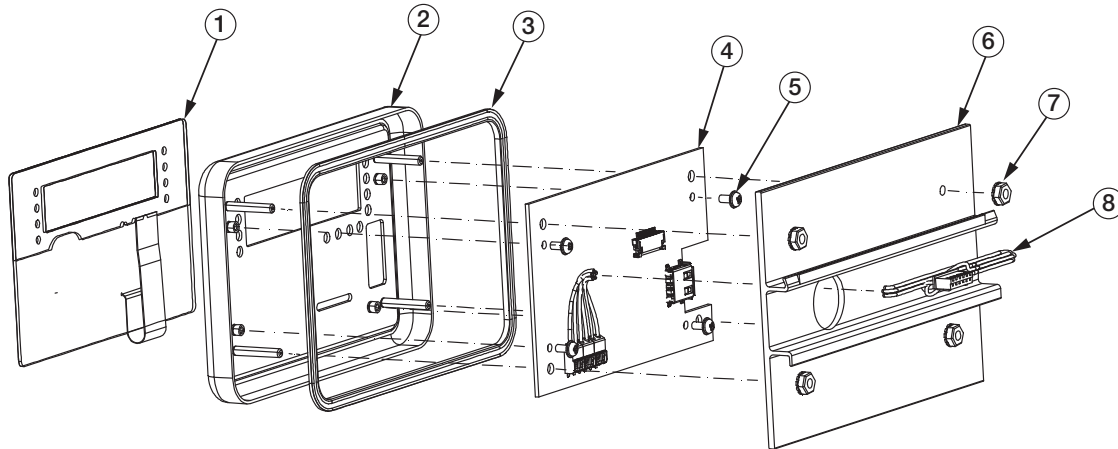
880 (5.5 in wide)

	177977*	Controller, 880 Revised Blue-Board Design (Includes items 9-20)	Consult
9	14838	Screw, Mach 6-32NC x 1/4	Consult
12	177730	Bracket, DIN Rail Clip	Consult
	177257	Enclosure Adapter Plate	Consult
13	153856	Screw, Mach 6-32NCx1/4	Consult
14	177253	Enclosure, Extrusion 3.50 x 5.50 in.	Consult
15	175603	Board Assy, 880 Power, AC revised blue-board design	Consult
	175604	Board Assy, 880 Power, DC revised blue-board design	Consult
16	177290	Backplate, CPU with option slot	Consult
17	14822	Screw, Mach 4-40NC x 1/4	Consult
18	69291	Battery, 3v Coin Lithium	Consult
19	175109	Board Assy, CPU 880 revised blue-board design	Consult
20	154762	Cable Assy, CPU Board To Power Supply	Consult

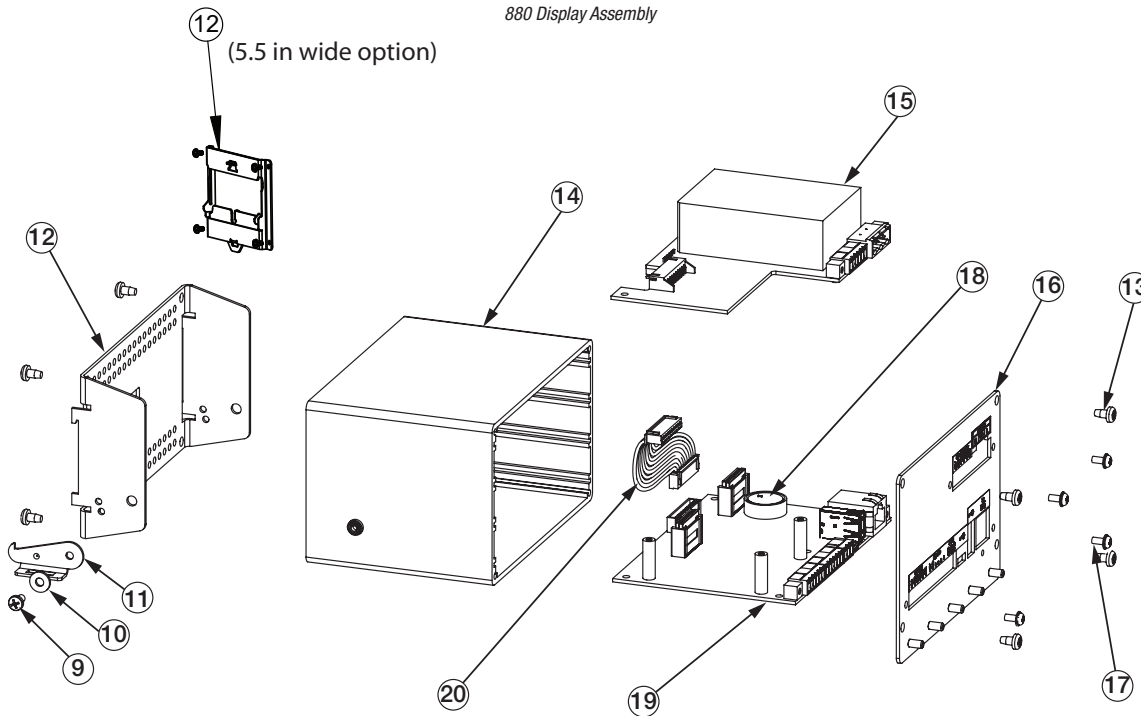
(See Diagram 880 Controller Enclosure for 5.5 in wide)

*Because the 880 board design has changed, there are new part numbers. Please be advised, past generation boards (green) are not interchangeable with the new boards (blue).

INDICATORS
880 Panel Mount
 5.0in and 5.5in



880 Display Assembly



880 Controller Enclosure

Indicators/Controllers

GREEN-BOARD DESIGN		
Part#	Description	Price
156554	EtherNet/IP interface option	Consult
156555	Profinet interface option	Consult
156556	Profibus DP interface option	Consult
156557	Modbus/TCP interface option	Consult
156558	DeviceNet interface option	Consult
156964	Analog output 0-10 UPC, 0-20mA option	Consult
156965	Relay board, 4 outputs option	Consult
163305	EtherCAT interface option	Consult

BLUE-BOARD DESIGN		
Part#	Description	Price
179159	EtherNet/IP interface option	Consult
179160	Profinet interface option	Consult
179163	Profibus DP interface option	Consult
179161	Modbus/TCP interface option	Consult
179162	DeviceNet interface option	Consult
179156	Analog output 0-10 UPC, 0-20mA option	Consult
179158	EtherCAT interface option	Consult

*Because the 880 board design has changed, there are new part numbers.
 Please be advised, past generation boards (green) are not interchangeable with the new boards (blue).

880 Plus Universal Enclosure



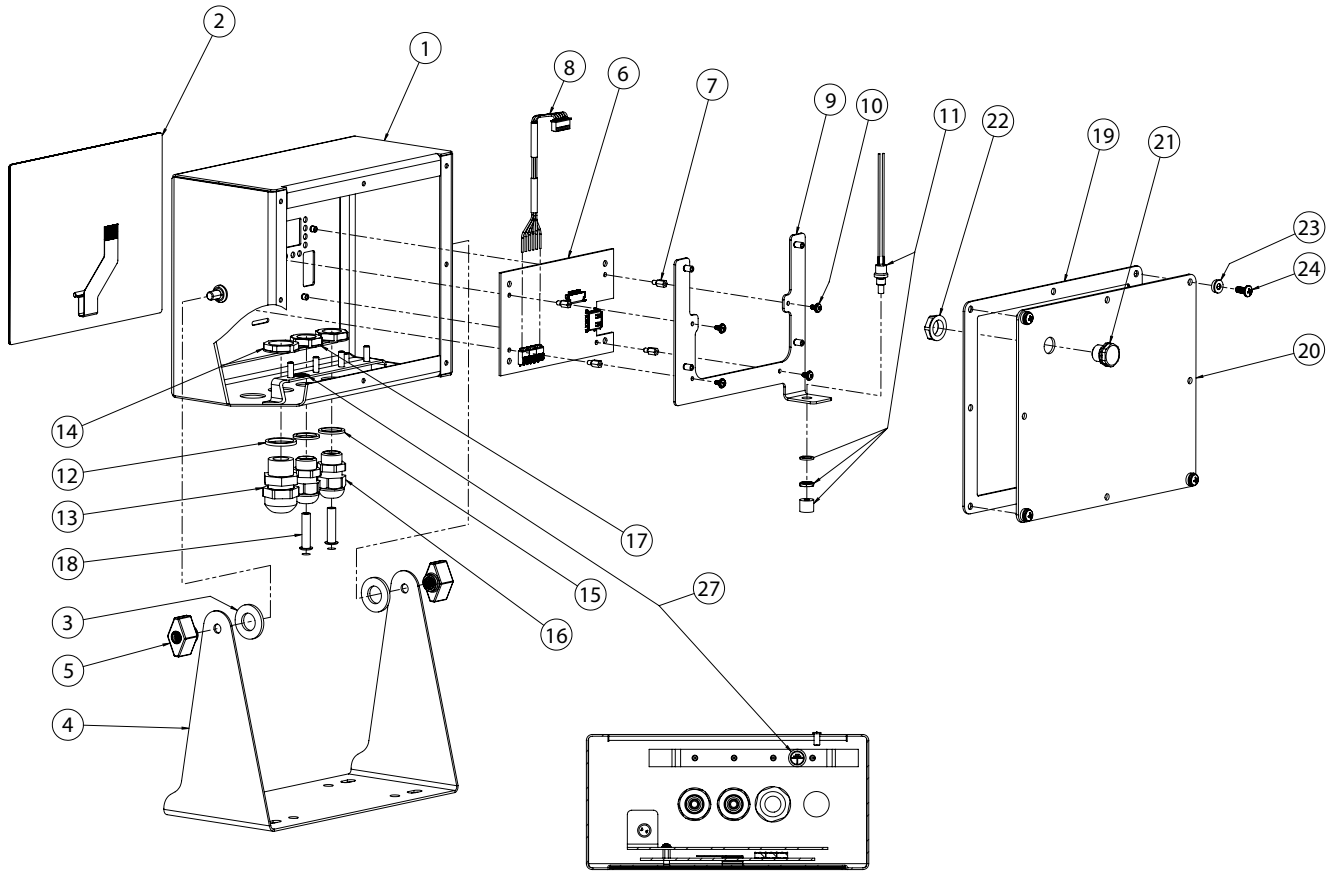
Part Number/Price

Ref#	Part#	Description	Price
1	163752	Enclosure, 880 Desktop	Consult
2	163986	Overlay, 880 Universal	Consult
3	103988	Washer, nylon .515-.52	Consult
4	163751	Tilt Stand, 880 Desktop 30.00	Consult
5	103610	Knob,Black 1/4-20 T-Knob Internal thread	Consult
6	131598	Board Assembly, 880 LED Display	Consult
7	182290	Standoff, M-F 4-40 x 1/4 long 3/16 hex	Consult
8	151668	Cable Assembly	Consult
9	163987	Plate Mount, Circuit Board (green-board design)	Consult
	177361	Plate Mount, Circuit Board (blue-board design)	Consult
10	14822	Screw, Machine 4-40NC X 1/4	Consult
11	44845	Setup switch assembly	Consult
12	68599	Seal ring, PG11	Consult
13	68600	Cord grip, PG11	Consult
14	68601	Nut, PG11 black nylon	Consult
15	30375	Seal Ring, Nylon PG9	Consult
16	15626	Cord Grip, Black PG9	Consult
17	15627	Lock nut, PG9 plastic	Consult
18	19538	Post, Slotted Black Seal	Consult
19	163768	Gasket, 880 Indicator	Consult
20	163753	Backplate, 880 desktop	Consult
21	88733	Vent, breather sealed Gortex membrane black plastic	Consult
22	88734	Nut, breather vent M12x1 thread	Consult
23	45042	Washer, Bonded Sealing SST	Consult
24	14862	Screw, Mach 8-32 NC x 3/8 Phillips pan head	Consult
25	46381	Washer, #10, bonded sealing, 18-8 stainless steel	Consult
26	14877	Screw, Mach #10-32 NF x 3/8 drilled head fillister slotted	Consult
27	16892	Label, ground protective Earth adhesive IEC 60417-5019	Consult
	131599*	Board Assembly, 880 Power AC (green-board design 5.0 in wide)	Consult
	153510	Board Assembly, 880 Power DC (green-board design 5.0 in wide)	Consult
	175603	Board Assembly,880 Power AC (blue-board design 5.5 in wide)	Consult
	175604	Board Assembly,880 Power DC (blue-board design 5.5 in wide)	Consult
	131597*	Board Assembly,CPU 880 (green-board design 5.0 in wide)	Consult
	175109	Board Assy, CPU 880 (blue-board design 5.5 in wide)	Consult
	164066	Backplate Assembly, 880 Desktop	Consult
	42149	Bumper, Rubber Grommet	Consult
	15601	Wire, Ground 6in W/NO 8	Consult
	152235	Parts Kit, AC Power 880 (Includes items below)	Consult
	153647	Parts Kit, DC Power 880 (Includes items below)	Consult
	152334	Conn, 3 Pos Screw Terminal (AC Option)	Consult
	15888	Terminal Block, 3 position (DC Option)	Consult
	153873	Conn, 3 Pos Screw Terminal	Consult
	153883	Conn, 6 Pos Screw Terminal	Consult
	14621	Nut, KEP 6-32NC HEX	Consult
	15130	Washer, Lock No 6	Consult
	157074	Ferrite, EMI/RFI Clamp-on	Consult
	53075	Clamp, Ground Cable Shield Large	Consult
	67550	Clamp, Ground Cable Shield Small	Consult
	94422	Label, Capacity 0.40 x 4.63	Consult
	179159	EtherNet/IP interface option	Consult
	179160	Profinet interface option	Consult
	179163	Profibus DP interface option	Consult
	179161	Modbus/TCP interface option	Consult
	179162	DeviceNet interface option	Consult
	179156	Analog output 0-10 UPC, 0-20mA option	Consult
	179158	EtherCAT interface option	Consult

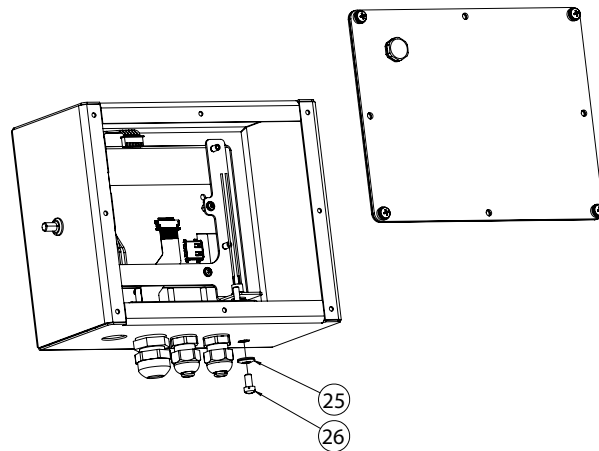
(See Diagram 880 Plus Universal Enclosure)

*Because the 880 board design has changed, there are new part numbers. Please be advised, past generation boards (green) are not interchangeable with the new boards (blue).

880 Plus Universal Enclosure



SECTION G-G



Indicators/Controllers

880 Plus Universal Enclosure

INDICATORS

882IS/882IS Plus Intrinsically Safe Digital Weight Indicator

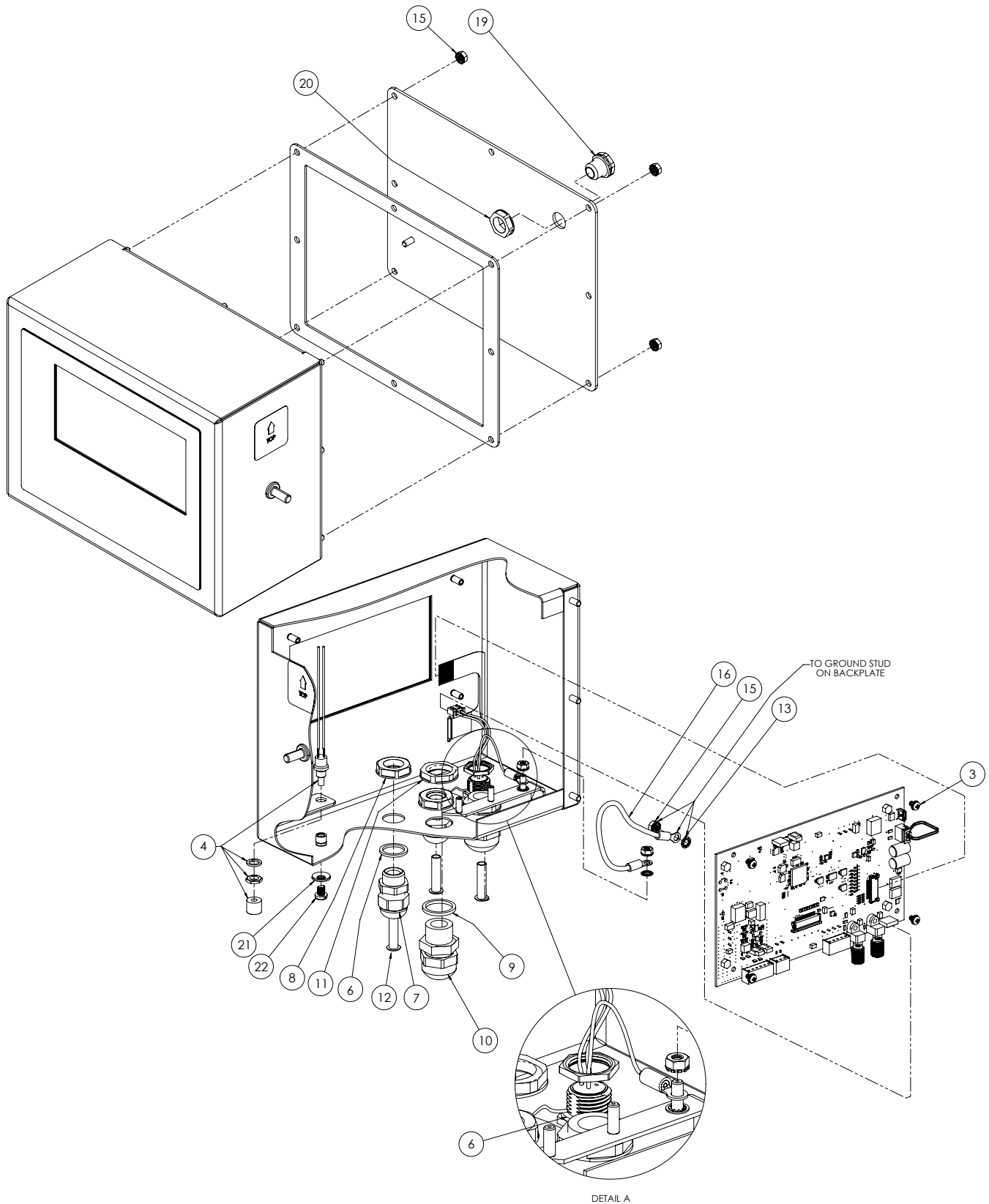


Part Number/Price

Ref#	Part#	Description	Price
3	180824	Mach screw, M3x0.5x5 mm Phillips pan head SEMS 18-8 sst	Consult
4	44845	Setup switch assy	Consult
6	30375	Seal ring, PG9 nylon	Consult
7	15626	Cord grip, PG9 plastic	Consult
8	15627	Lock nut, PG9 plastic	Consult
9	68599	Seal ring, PG11	Consult
10	68600	Cord grip, PG11	Consult
11	68601	Nut, PG11 black nylon	Consult
12	19538	Post, slotted black seal 1/4 x 1, cord grip - post only	Consult
13	180856	Washer, M4 internal tooth sst	Consult
15	180826	Nut, KEP M4x0.7 external tooth lock washer 18-8 sst	Consult
16	15601	Wire, ground 6 in w/no 8 eye connector	Consult
19	88733	Vent, breather sealed Gortex membrane black plastic	Consult
20	88734	Nut, breather vent M12 x 1 thread	Consult
21	46381	#10, Bonded sealing washer, 18-8 stainless steel	Consult
22	180861	Screw, mach M5x0.8x10 mm slotted drilled cheese head sst	Consult
	163751	Indicator tilt stand	Consult
	180825	Indicator knobs	Consult
	103988	Tilt stand washers	Consult
	179678	Battery tilt stand	Consult
	180863	Battery knobs	Consult
	163751	Tilt stand, 880 desktop	Consult
	180831	Battery option, IS-6VDC	Consult
	194191	Battery charger, IS6V2, 100-240VAC NEMA 5-15 (North American plug)	Consult
	194189	Battery charger, IS6V2 100-240VAC (EU plug)	Consult
	194192	Battery charger, IS6V2 100-240VAC (UK plug)	Consult
	197591	Battery charger, IS6V2 100-240VAC (Australian plug)	Consult
	180837	Power supply, 882IS IS-EPS-100-240VAC, dual output 6.8VDC 200 mA	Consult
	179668	Cable, M12 power 22 in hazardous location (for battery version)	Consult
	179669	Cable, M12 power 10 ft hazardous location	Consult
	179670	Cable, M12 power 50 ft hazardous location	Consult
	179671	Cable, M12 power 100 ft hazardous location	Consult
	190979	Lockout device, M12 cable	Consult
	213705	882IS battery replacement barrier assembly	Consult

(See Diagram 882IS/882IS Plus)

882IS/882IS Plus Intrinsically Safe Digital Weight Indicator



Indicators/Controllers

882IS/882IS Plus

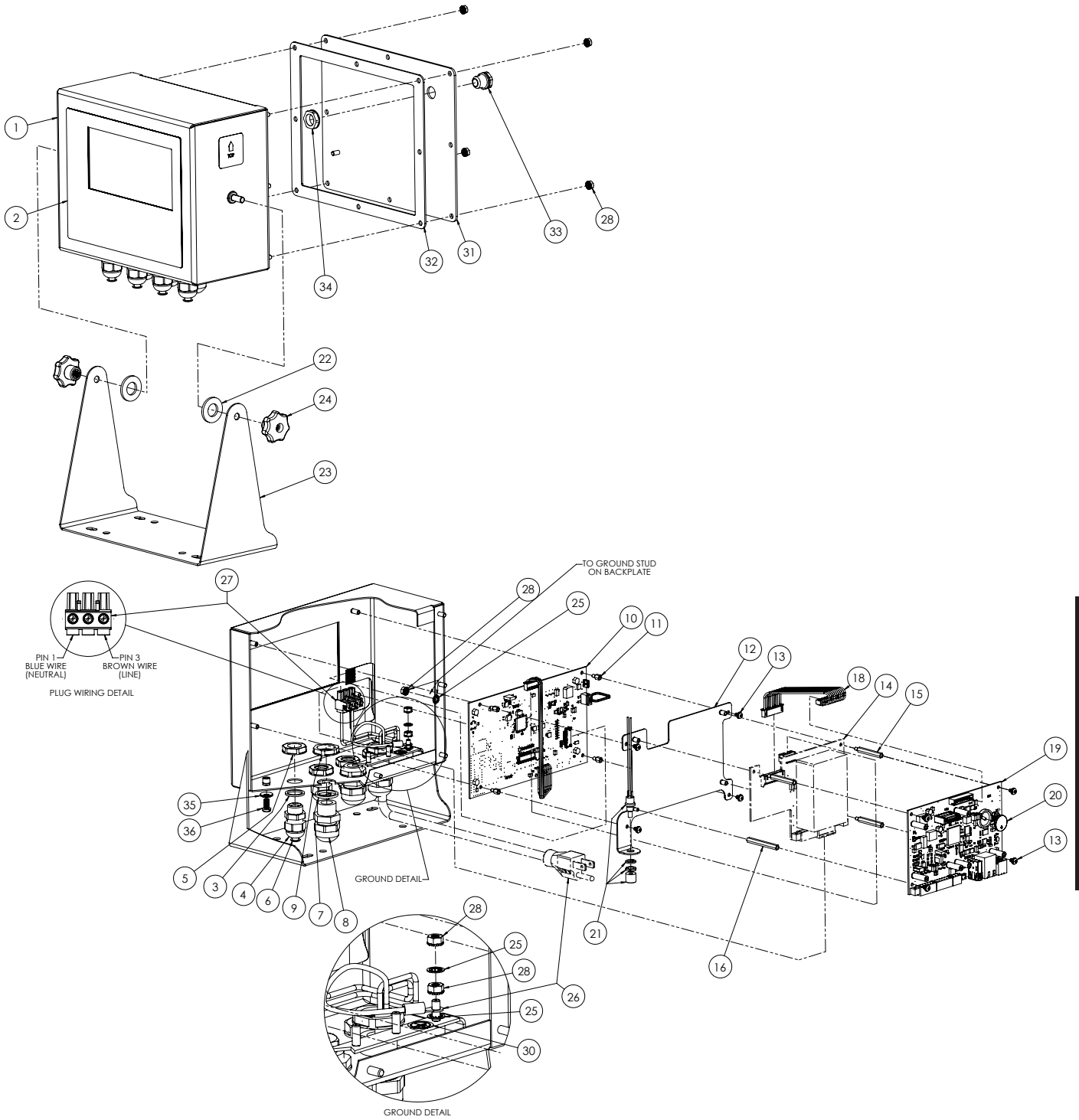
INDICATORS

882D**Part Number/Price**

Ref#	Part#	Description	Price
1	177305	Enclosure, 882D belt scale indicator with holes	Consult
2	175214	Overlay, 882D indicator membrane switch with numeric keys	Consult
3	30375	Seal ring, PG9 nylon	Consult
4	15626	Cord grip, PG9 plastic	Consult
5	15627	Lock nut, PG9 plastic	Consult
6	19538	Post, slotted black seal 1/4 x 1, cord grip - post only	Consult
7	68599	Seal ring, PG11	Consult
8	68600	Cord grip, PG11	Consult
9	68601	Nut, PG11 black nylon	Consult
10	195681	PCB, belt scale display board	Consult
11	180821	Standoff, M3x0.5x5 mm hex size 4.5 mm male-fem sst	Consult
12	177306	Adaptor plate, power supply 882 indicator	Consult
13	180824	Mach screw, M3X0.5X5 mm Phillips pan head SEMS 18-8 sst	Consult
14	175603	Board assy, 880/882 power supply 115-230VAC 5.5 inch blue color	Consult
14	175604	Board assy, 880/882 power supply 9-36VAC 5.5 inch blue color	Consult
15	180822	Standoff, M3x0.5x31 mm hex size 4.5 mm male-fem sst	Consult
16	180823	Standoff, M3x0.5x40 mm hex size 4.5 mm fem-fem sst	Consult
18	154762	Cable assy, 10 POS CPU to power supply 880 controller	Consult
19	195681	Board assy, 882 belt scale CPU	Consult
20	69291	Battery, 3V coin lithium, 16 mm diameter, 125 (mAh)	Consult
21	44845	Setup switch assy	Consult
22	103988	Washer, nylon .515-.52	Consult
23	163751	Tilt stand, 880 desktop	Consult
24	180825	Knob, M6x1 threaded thru 32mm dia 7-lobe nylon zn-pltd steel	Consult
25	15134	Washer, lock no 8 type A internal tooth steel zinc plated	Consult
26	180842	Power cord assy, 882D belt scale indicator NEMA 5-15	Consult
26	180850	Power cord assy, 882D belt scale integrator Europe CEE7/7	Consult
27	152334	Conn, 3 POS screw terminal 7.62 mm strip length 8 mm (.315 in)	Consult
28	180826	Nut, KEP M4x0.7 external tooth lock washer 18-8 sst	Consult
30	16892	Label, ground protective earth adhesive IEC 60417-5019	Consult
31	180827	Backplate, 882D universal belt scale integrator	Consult
32	163768	Gasket, 880 indicator	Consult
33	88733	Vent, breather sealed Gortex membrane black plastic	Consult
34	88734	Nut, breather vent M12x1 thread	Consult
35	46381	#10, Bonded sealing washer, 18-8 stainless steel	Consult
36	180861	Screw, mach M5x0.8x10 mm slotted drilled cheese head sst	Consult

(See Diagram 882D)

INDICATORS
882D



Indicators/Controllers

882D

INDICATORS

920i® Universal Indicator/Controller

Main Assembly



Part Number/Price

Ref#	Part#	Description	Price
	126303	Parts kit universal dual channel	Consult
	126285	Parts kit universal single channel	Consult
Components of Part # 126303 and 126285			
	14626	Nut, KEP, 8 - 32 NC	Consult
	14862	Machine screws, 8-32 NC x 3/8	Consult
	75062	Sealing washers	Consult
	15133	Lock washers, no. 8, type A	Consult
	30623	Machine screws, 8 - 32 NC x 7/16 fillister head	Consult
	15665	Reducing glands for 1/2 NPT Cord-grips	Consult
	15887	6-position screw terminal for load cell connection	Consult
	19538	Cord-grip plugs	Consult
	94422	Capacity label	Consult
	53075	Cable shield ground clamps	Consult
	77180	8-position screw terminal for J10 (Rev. H CPU and higher)	Consult
	70599	6-position screw terminals for J2	Consult
	71126	4-position screw terminal for J9	Consult
	71125	3-position screw terminal for J11	Consult
	42149	Rubber feet for tilt stand	Consult
	103988	Nylon washers for tilt stand, 1/4 x 1 x 1/16	Consult
	103610	Wing knobs for tilt stand, internal thread	Consult
	67887	Installation manual	Consult
	67531	Tilt stand	Consult
1	66502	Switch panel membrane	Consult
2	67529	Enclosure universal	Consult
5	164371	LCD display transmissive (indoor use) CCFL B/L	Consult
	186273	LCD display transmissive (indoor use) with LED B/L	Consult
	186276	LCD display transmissive (outdoor use) with LED B/L	Consult
	159946	CCFL backlight for display (type WRUS)	Consult
	187677	LED backlight for display (type WRUS, IQSS, ZARS)	Consult
6	67886	Standoffs, short	Consult
7	68661	Standoffs, long	Consult
8	117930	CPU board green solder mask	Consult
	186272	CPU board blue solder mask	Consult
9	14626	Nut, KEP, 4-40 NC hex	Consult
10	67613	Power supply, VAC, 25W	Consult
10	132791	Power supply, 12-24VDC, 25W	Consult
11	94392	Power supply bracket universal	Consult
12	16861	Label, warning high	Consult
13	58248	Lock nuts, 6 - 32 NC, nylon	Consult
14	14822	Machine screws, 4 - 40 NC x 1/4	Consult
15	67530	Interface board connector plate	Consult
16	67535	Interface board gasket	Consult
17	14862	Machine screws, 8 - 32 NC x 3/8	Consult
18	75062	#8 bonded sealing washer 7/16 OD	Consult
19	42640	Screw, mach 1/4-28 NF x 1/4 Phillips, drilled fillister head, 18-8	Consult
20	44676	Sealing washer for set-up switch access screw	Consult
21	15626	Cord-grips, PG9	Consult
22	15627	Lock nuts, PCN9	Consult
23	30375	Nylon seal rings for PG9 Cord-grips	Consult
25	15134	Lock washers, no. 8, type A	Consult
26	14626	Nut, KEP #8-32 NC hex	Consult
27	45043	Ground wire, 4" with no. 8 eye connector	Consult
28	68424	Enclosure backplate universal	Consult
	119891	Enclosure backplate for USB receptacles	Consult
31	85202	Power cord assembly, 115VAC and 230VAC North American units	Consult
	69998	Power cord assembly, 230VAC European units	Consult

(See Diagram 920i-D)

Indicators/Controllers

920i® Universal Indicator/Controller

Main Assembly

Part Number/Price

Ref#	Part#	Description	Price
32	67796	Wire harness, 920i 25W PS to CPU	Consult
	186464	Alternative power supply cables for display retrofit	Consult
33	68662	Cable, ribbon interface board to CPU	Consult
34	16892	Label, ground protective	Consult
35	15650	Cable tie mount, 3/4"	Consult
36	68216	Nameplate, Rice Lake	Consult
39	67532	Backplate gasket universal	Consult
41	68532	Single-channel A/D card	Consult
	68533	Dual-channel A/D card (shown in diagram 920i-D)	Consult
	87697	Analog input and thermocouple option	Consult
	67600	Memory, 1 MB NV RAM option	Consult
	67601	Digital I/O, 24-channel option	Consult
	67602	Analog output: selectable 0-10V, 0-20 mA option	Consult
	103138	Analog output, dual channel 0-10VDC, 0-20 mA option	Consult
	67604	Serial, dual channel option	Consult
	67603	Pulse input, single channel option	Consult
	68541	DeviceNet™ interface option	Consult
	68539	Allen-Bradley® Remote I/O interface option	Consult
	68540	Profibus® DP interface option	Consult
	103136	Control net interface option	Consult
	87803	EtherNet/IP (for A-B PLC) option	Consult
	71986	Ethernet TCP/IP 10/100 Base-T module (internal) option	Consult
45	67869	Board, interface 920i	Consult
46	55708	Screw, mach 4-40 NC x 3/8 Phillips pan head internal tooth lock washer SEMS	Consult
47	14845	Screw, Mach 6-32 NC x 3/8	Consult
50	15628	Cord-grips, 1/2 NPT	Consult
52	30376	Nylon seal rings for 1/2 NPT Cord-grips	Consult
53	15630	Lock nuts for 1/2 NPT Cord-grips	Consult
54	69290	Battery, 3V coin lithium	Consult
55	69898	Nylon spacers	Consult
60	88733	Vent, breather sealed Gortex membrane black plastic	Consult
61	88734	Nut, breather vent M12 x 1 thread	Consult
	68403	Wing knobs with threaded post, old style	Consult
	71027	Fuses (115VAC models), 2 A Time-Lag TR5	Consult
	71026	Fuses (230VAC models), 2 A Time-Lag TR5	Consult

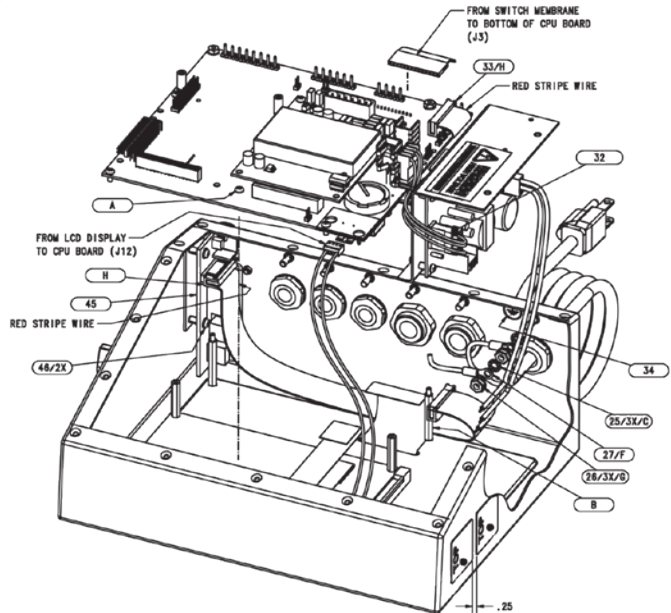
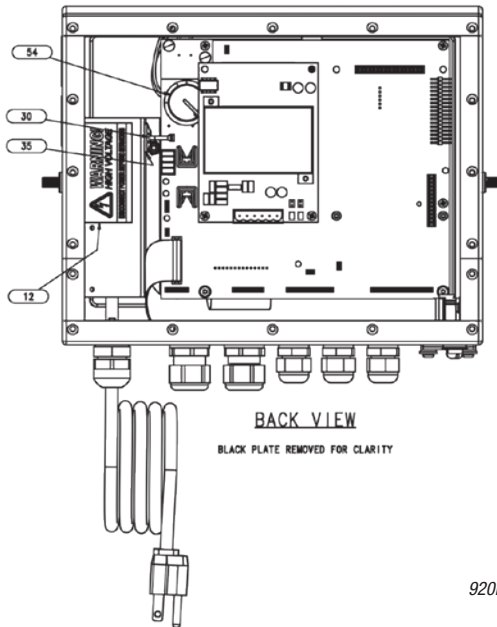
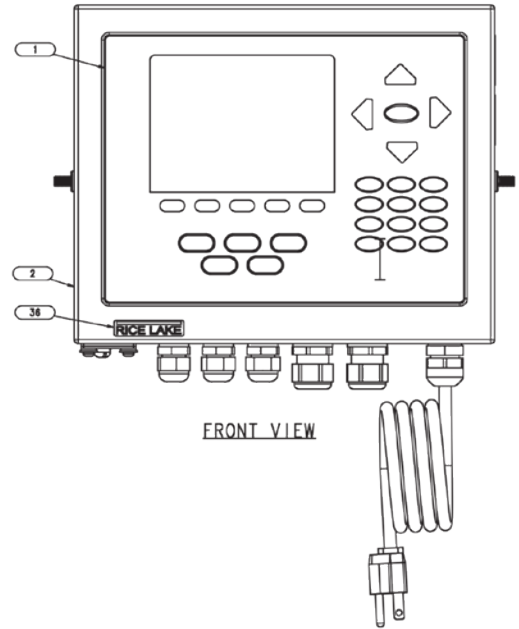
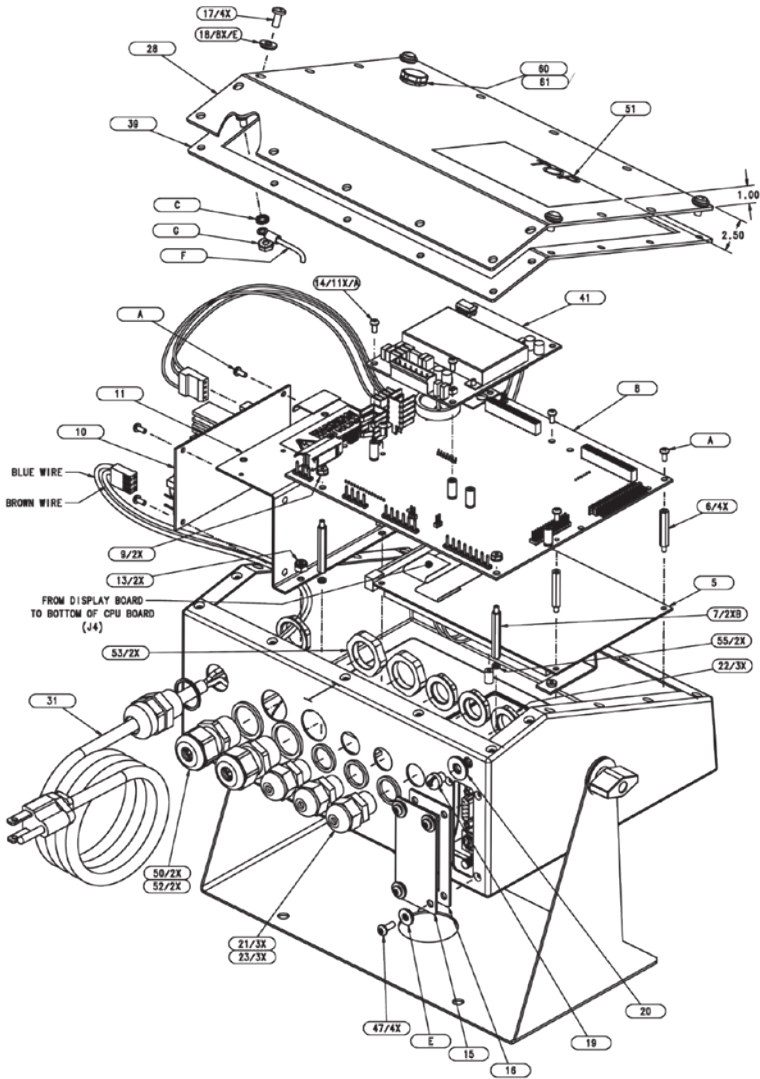
The LED backlight display can be used with green CPU board Rev N or older by replacing the power supply cable. Universal 186464 (AC) 186464 (DC); Deep universal 186278 (AC) 187603 (DC); Panel 186278 (AC) 187603 (DC); Wall 186760 (AC) 188345 (DC); Two-slot expansion for wall 188716 (AC) 189724 (DC); Two-slot expansion panel for deep universal 188717 (AC) 189725 (DC); Six-slot expansion for wall 188774 (AC).
(See Diagram 920i-D)



INDICATORS

920i® Universal Indicator/Controller

Main Assembly



Indicators/Controllers

920i-D

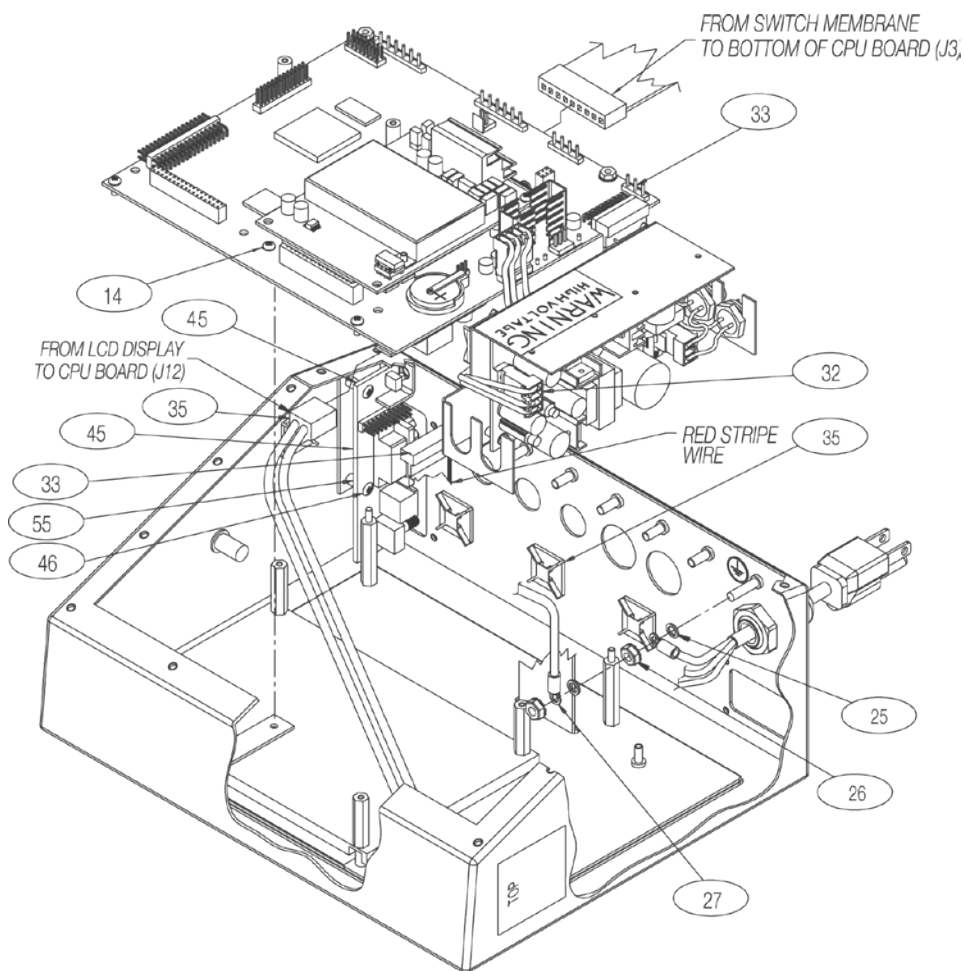
920i® Universal Indicator/Controller

Power Supply

Part Number/Price

Ref#	Part#	Description	Price
14	14822	Machine screws, 4 - 40 NC x 1/4	Consult
25	15134	Lock washers, no. 8, type A	Consult
26	14626	Nut, KEP, 8 - 32 NC	Consult
27	45043	Ground wire, 4" with no. 8 eye connector	Consult
32	67796	Power supply cable assembly, to CPU board	Consult
32	186464	Power supply cables for display retrofit	Consult
33	68662	Ribbon cable to interface board universal	Consult
35	15650	Cable tie mounts, 3/4"	Consult
45	67869	Interface board PS2/DB-9	Consult
	111109	Interface board USB (requires Rev. L CPU)	Consult
46	14832	Machine screws, 4 - 40 NC x 3/8	Consult
54	70069	3V Lithium coin battery	Consult
55	69898	Nylon spacers	Consult

The LED backlight display can be used with green CPU board Rev N or older by replacing the power supply cable. Universal 186464 (AC) 186464 (DC); Deep universal 186278 (AC) 187603 (DC); Panel 186278 (AC) 187603 (DC); Wall 186760 (AC) 188345 (DC); Two-slot expansion for wall 188716 (AC) 189724 (DC); Two-slot expansion panel for deep universal 188717 (AC) 189725 (DC); Six-slot expansion for wall 188774 (AC).
(See Diagram 920i-E)



920i-E

INDICATORS

920i® Panel Mount Indicator/Controller

Main Assembly



Part Number/Price

Ref#	Part#	Description	Price
	71428	Parts kit panel mount single channel	Consult
	71429	Parts kit panel mount dual channel	Consult
Components of Part #71428			
	14626	Nut, KEP, 8 - 32 NC	Consult
	54206	Machine screws, 6 - 32 x 3/8 fillister head	Consult
	15133	Lock washers, no. 8, Type A	Consult
	71522	Machine screws, 8 - 32 NC x 1/4	Consult
	82425	Machine screws, 10 - 32 NF x 1.5 in	Consult
	15631	Cable ties	Consult
	53075	Cable shield ground clamps	Consult
	94422	Capacity label	Consult
	77180	8-position screw terminals for J10 (Rev. H CPU)	Consult
	70599	6-position screw terminals for J2	Consult
	15887	6-position screw terminals for load cell connection	Consult
	71126	4-position screw terminal for J9	Consult
	71125	3-position screw terminal for J11	Consult
	15438	Power cord, 115VAC and 230VAC North American units	Consult
	72512	Power cord, 230VAC European units	Consult
	67887	Installation manual	Consult
	69989	Panel mount installation instructions	Consult
1	14618	Nut, KEP, 4 - 40 NC	Consult
2	14626	Nut, KEP, 8 - 32 NC	Consult
3	15601	Ground wire, 6" with no. 8 eye connector	Consult
4	14822	Machine screws, 4 - 40 NC x 1/4	Consult
5	71450	AC input assembly	Consult
	97907	AC input cable assembly	Consult
6	15134	Lock washers, no. 8, Type A	Consult
7	22917	Washer, Lock no 4, type A	Consult
8	16861	Label, warning high	Consult
9	16892	Ground/earth label	Consult
10	14839	Machine screws, 6 - 32 NC x 1/4	Consult
11	66502	Overlay, membrane switch	Consult
12	67610	Single channel A/D card	Consult
	68532	Single-channel A/D card	Consult
	68533	Dual-channel A/D card	Consult
	67600	Memory, 1 MB NV RAM option	Consult
	67601	Digital I/O, 24-channel option	Consult
	67602	Analog output: selectable 0-10V, 0-20 mA option	Consult
	103138	Analog output, dual channel 0-10VDC 0-20 mA option	Consult
	67604	Serial, dual channel option	Consult
	67603	Pulse input, single channel option	Consult
	68541	DeviceNet™ interface option	Consult
	68539	Allen-Bradley® Remote I/O interface option	Consult
	68540	Profibus® DP interface option	Consult
	103136	Control net interface option	Consult
	71986	Ethernet TCP/IP 10/100 Base-T module (internal) option	Consult
	87697	Analog input and thermocouple	Consult
	87803	EtherNet/IP (for A-B PLC)	Consult
	71743	Option, 2-Slot Expansion Board, (Panel & Deep)	Consult
13	117930	CPU board green solder mask	Consult
	186272	CPU board blue solder mask	Consult
14	69141	Fuse access coverplate	Consult
15	164371	LCD display transmissive (indoor use) CCFL B/L	Consult
	186275	LCD display transmissive (indoor use) with LED B/L	Consult
	186276	LCD display transreflective (outdoor use) with LED B/L	Consult
	159946	CCFL backlight for display (type WRUS)	Consult
	187677	LED backlight for display (type WRUS, IQSS, ZARS)	Consult
16	69142	Housing backplate	Consult
17	67869	Interface board PS2/DB-9	Consult
	111109	Interface board USB (requires Rev. L CPU)	Consult
18	67886	Standoffs, short	Consult

(See Diagram 920i-G)

Indicators/Controllers

920i® Panel Mount Indicator/Controller

Main Assembly

Part Number/Price

Ref#	Part#	Description	Price
19	68216	Nameplate, Rice Lake	Consult
20	68598	Protective lens	Consult
21	71106	Enclosure, wldt	Consult
22	68661	Standoffs, long	Consult
23	69290	3V Lithium coin battery	Consult
25	69144	Gasket, faceplate	Consult
26	69176	Power supply bracket	Consult
27	71449	Ribbon cable to interface board	Consult
28	132791	Power supply, 12-24VDC, 25W	Consult
29	15631	Cable tie, 3 in nylon	Consult
30	71430	Wire harness, 65W ps	Consult
34	71698	Strip, polyurethane foam	Consult
35	71520	Screw, mach 10-32 NF 3/16	Consult
36	87608	Reinforcing plate	Consult
37	71095	Bracket, clinching welded	Consult

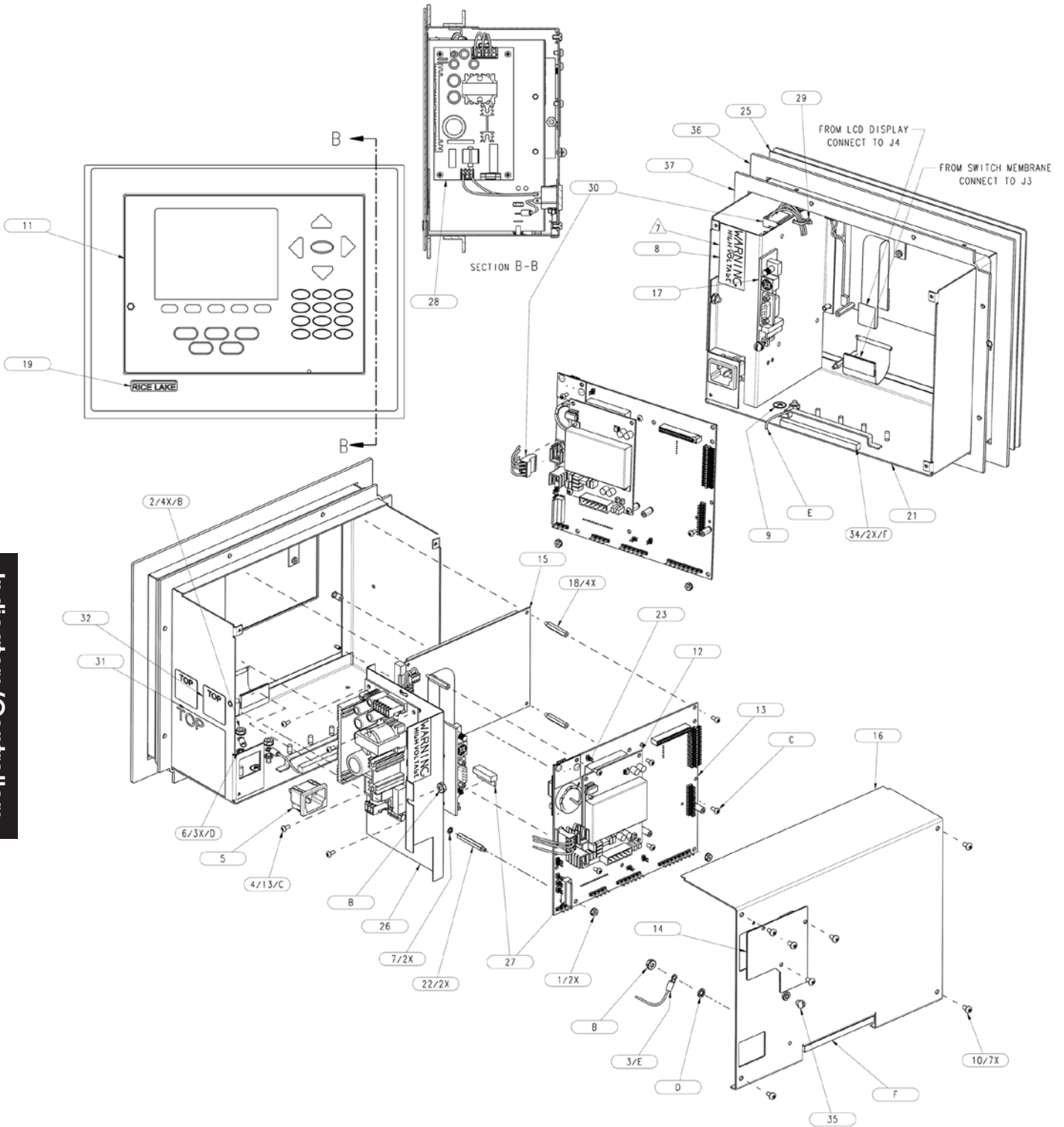
(See Diagram 920i-G)



INDICATORS

920i® Panel Mount Indicator/Controller

Main Assembly



920i-G

Indicators/Controllers

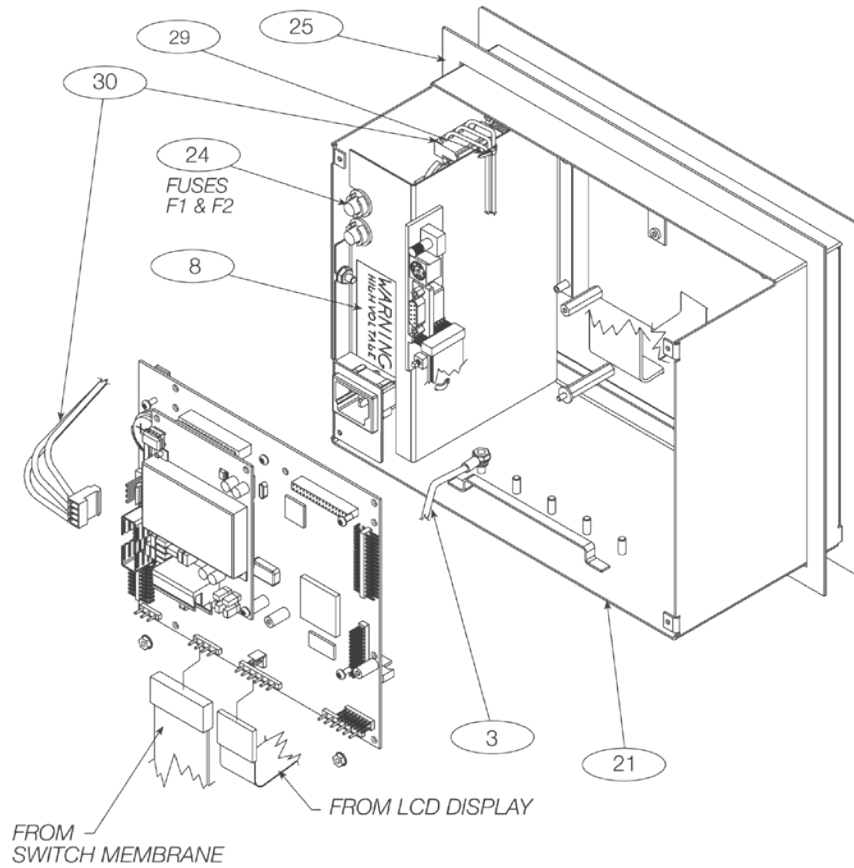
920i® Panel Mount Indicator/Controller

CPU Board Connections

Part Number/Price

Ref#	Part#	Description	Price
3	15601	Ground wire, 6" with no. 8 eye connector	Consult
8	16861	High voltage warning label	Consult
21	71106	Enclosure, panel mount	Consult
24	71462	Fuses F1 and F2 (115VAC and 230VAC North American models), 3.15 A Time-Lag TR5	Consult
	72339	Fuses F1 and F2 (230VAC European model), 3.15 A Time-Lag TR5	Consult
25	69144	Faceplate gasket	Consult
30	71430	Power supply cable assembly, to CPU board	Consult

The LED backlight display can be used with green CPU board Rev N or older by replacing the power supply cable. Universal 186464 (AC) 186464 (DC); Deep universal 186278 (AC) 187603 (DC); Panel 186278 (AC) 187603 (DC); Wall 186760 (AC) 188345 (DC); Two-slot expansion for wall 188716 (AC) 189724 (DC); Two-slot expansion panel for deep universal 188717 (AC) 189725 (DC); Six-slot expansion for wall 188774 (AC).
(See Diagram 920i-H)



920i-H

920i® Deep Enclosure Indicator/Controller

Main Assembly

Part Number/Price

Ref#	Part#	Description	Price
	126285	Parts kit, 920i single	Consult
	126303	Parts kit, 920i dual	Consult
Components of Part# 126285 and 126303			
	14626	Nut, KEP, 8 - 32 NC	Consult
	14862	Machine 8 - 32 NC x 3/8" screw	Consult
	15133	Lock washers, no. 8, Type A	Consult
	15144	Nylon 1/4" x 1" x 1/16" washer	Consult
	15631	3" nylon cable tie	Consult
	15665	Reducing 1/2 NPT gland	Consult
	15887	6-position terminal block for load cell connection	Consult
	19538	Slotted black post only	Consult
	30623	Machine 8 - 32 NC x 7/16" screw	Consult
	42149	Rubber grommet bumper	Consult
	94422	Label, capacity .45 x 3.2	Consult
	53075	Ground cable shield clamp	Consult
	103610	Wing knob for tilt stand, internal thread	Consult
	77180	8-position screw terminal for J10 (Rev. H CPU)	Consult
	70599	6-position screw terminal connector for J2	Consult
	71125	3-position screw terminal connector for J11	Consult
	71126	4-position screw terminal connector for J9	Consult
	75062	Bonded sealing SS washer	Consult
	68403	Wing knobs with threaded post, old style	Consult
	83569	Clear protective overlay	Consult
	67887	Installation manual	Consult
	83810	920i deep installation instructions	Consult
1	82854	920i backplate gasket	Consult
2	14862	Machine 8 - 32 NC x 3/8" screw	Consult
3	82853	Enclosure deep backplate	Consult
	115118	Enclosure backplate for USB receptacles	Consult
5	75062	Bonded sealing stainless steel washer #8	Consult
8	164371	LCD display transmissive (indoor use) CCFL B/L	Consult
	186275	LCD display transmissive (indoor use) with LED B/L	Consult
	186276	LCD display transmissive (outdoor use) with LED B/L	Consult
	159946	CCFL backlight for display (type WRUS)	Consult
	187677	LED backlight for display (type WRUS, IQSS, ZARS)	Consult
9	67886	Male-FEM 4 - 4 NC standoff	Consult
10	68598	Protective lens	Consult
11	44676	Bonded sealing washer	Consult
12	42640	Machine 1/4" - 28 NF x 1" screw	Consult
13	67535	Interface board gasket	Consult
14	67530	Interface board plate	Consult
15	14845	Machine 6 - 32 NC x 3/8" screw	Consult
16	15626	Grip black PG9 cable	Consult
17	15628	1/2 NPT black Cord-grip	Consult
18	67795	Power cord assembly, 120VAC	Consult
18	69998	Power cord assembly, 230VAC Euro plug	Consult
19	68425	Cover fuse access plate	Consult
20	68621	Coverplate fuse gasket	Consult
21	69898	Washer, nylon #4	Consult
22	58248	Lock 6 - 32 NC hex nylon nut	Consult
23	14822	Machine 4 - 40 NC x 1/4" screw	Consult
24	66502	Membrane switch overlay	Consult
25	68216	Nameplate, Rice Lake	Consult
26	68662	Ribbon interface cable	Consult

(See Diagram 920i-A)



INDICATORS

920i® Deep Enclosure Indicator/Controller

Main Assembly

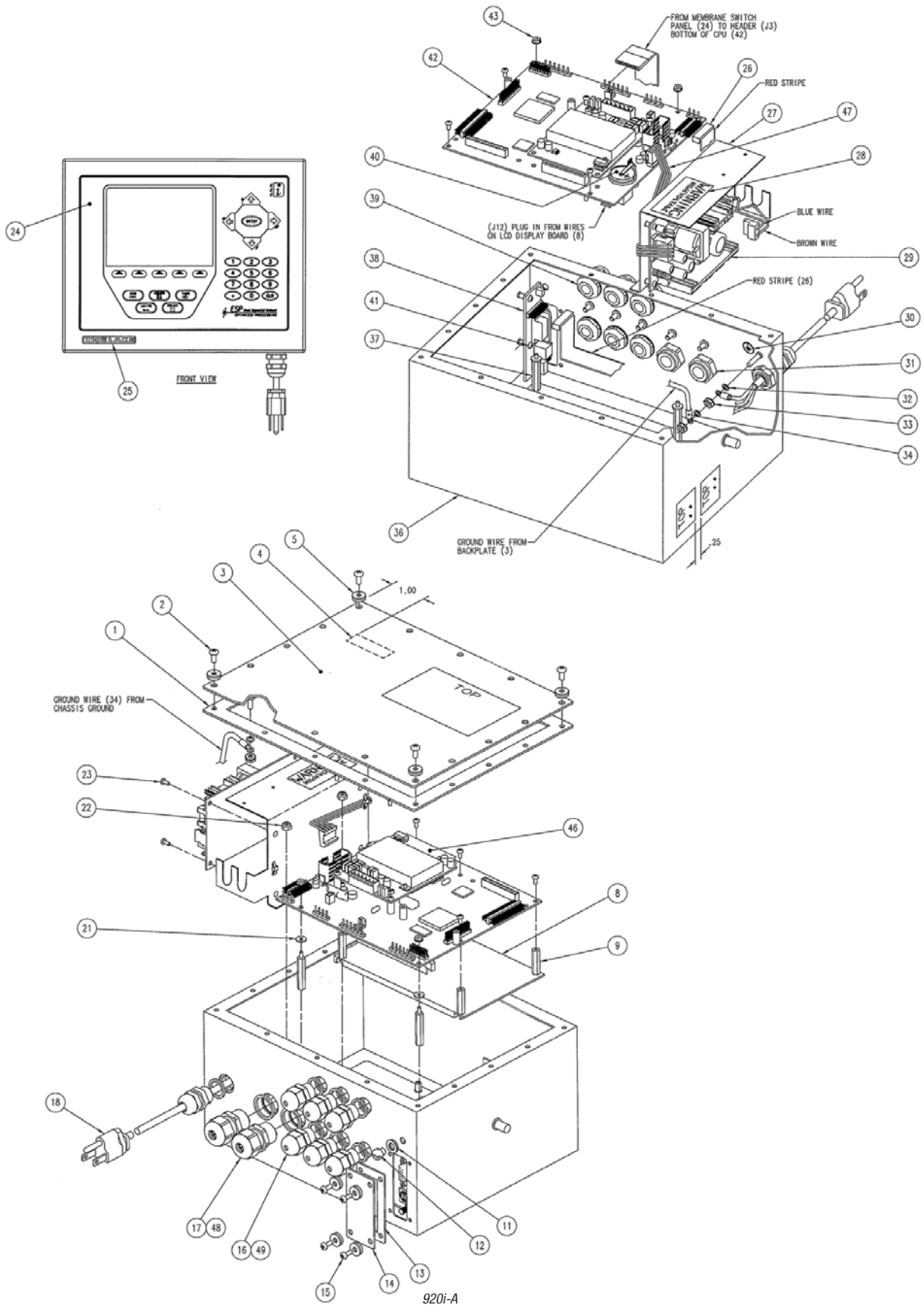
**Part Number/Price**

Ref#	Part#	Description	Price
27	82856	Power supply bracket	Consult
28	16861	Warning high label	Consult
29	71333	Power supply, VAC 65W	Consult
	132791	Power supply, 12-24 VDC, 25W	Consult
30	16892	Ground/earth label	Consult
31	15630	1/2 NPT black lock nut	Consult
32	15134	Lock no 8 type A washer	Consult
33	14626	KEP 8 - 32 NC hex nut	Consult
34	15601	Ground 6" with no. 8 wire	Consult
36	82852	920i deep enclosure	Consult
37	68661	Male-FEM 4 - 40 NC standoff	Consult
38	67869	Interface 920i board PS-2, DB-9	Consult
	111109	Interface board USB (requires Rev. L CPU)	Consult
39	15627	Black PCN9 lock nut	Consult
40	69290	Battery, 3V coin lithium	Consult
41	55708	Machine 4 - 40 NC x 3/8" screw	Consult
42	117930	CPU board green solder mask	Consult
	186272	CPU board blue solder mask	Consult
43	14618	KEP, 4 - 40 NC hex nut	Consult
45	71462	3.15 A time-lag TR5 fuse	Consult
46	68532	Single-channel A/D card	Consult
	68533	Dual-channel A/D card (shown in diagram 920i-D)	Consult
	87697	Analog input and thermocouple option	Consult
	67600	Memory, 1MB NV RAM option	Consult
	67601	Digital I/O, 24-channel option	Consult
	67602	Analog output: selectable 0-10V, 0-20 mA option	Consult
	103138	Analog output, dual channel 0-10VDC, 0-20 mA option	Consult
	67604	Serial, dual channel option	Consult
	67603	Pulse input, single channel option	Consult
	68541	DeviceNet™ interface option	Consult
	68539	Allen-Bradley® Remote I/O interface option	Consult
	68540	Profibus® DP interface option	Consult
	103136	Control net interface option	Consult
	87803	EtherNet/IP (for A-B PLC) option	Consult
	71986	Ethernet TCP/IP 10/100 Base-T module (internal) option	Consult
		71743	Option, 2-Slot Expansion Board, (Panel & Deep)
	69808	Board assembly, Expansion 2-Slot	Consult
	71758	Cable assembly, DC Power 9 in, CPU and Expansion	Consult
	71779	Cable assembly, Ribbon 2 inch	Consult
47	71430	65W power cable assembly	Consult
48	30376	Nylon 1/2 NPT seal ring	Consult
49	30375	Nylon seal ring	Consult

The LED backlight display can be used with green CPU board Rev N or older by replacing the power supply cable. Universal 186464 (AC) 186464 (DC); Deep universal 186278 (AC) 187603 (DC); Panel 186278 (AC) 187603 (DC); Wall 186760 (AC) 188345 (DC); Two-slot expansion for wall 188716 (AC) 189724 (DC); Two-slot expansion panel for deep universal 188717 (AC) 189725 (DC); Six-slot expansion for wall 188774 (AC).
(See Diagram 920i-A)

920i[®] Deep Enclosure Indicator/Controller

Main Assembly



Indicators/Controllers

INDICATORS

920i® Wall Mount Indicator/Controller

Main Assembly



Part Number/Price

Ref#	Part#	Description	Price
	70599	6-position screw terminal for J2	Consult
	71125	3-position screw terminal for J11	Consult
	71126	4-position screw terminal for J9	Consult
	69782	2-slot expansion board	Consult
	69783	6-slot expansion board	Consult
	67887	Lit, manual	Consult
	69988	Lit, manual mount installation	Consult
1	68902	Enclosure, wall mount	Consult
	126585	Enclosure, wall mount with cutouts for USB receptacles	Consult
2	68598	Protective lens	Consult
3	164371	LCD display transmissive (indoor use) CCFL B/L	Consult
	186275	LCD display transmissive (indoor use) with LED B/L	Consult
	186276	LCD display transmissive (outdoor use) with LED B/L	Consult
	159946	CCFL backlight for display (type WRUS)	Consult
	187677	LED backlight for display (type WRUS, IQSS, ZARS)	Consult
4	15134	Lock washers, no. 8, Type A	Consult
5	14626	Nut, KEP, 8 - 32 NC	Consult
6	15601	Ground wire, 6" with no. 8 eye connector	Consult
9	85203	Power cord assembly, 230VAC European units	Consult
	85202	Power cord assembly, 120VAC	Consult
10	68425	Fuse access coverplate	Consult
11	14845	Machine screws, 6 - 32 NC x 3/8 Phillips	Consult
12	45042	Sealing washers	Consult
13	14822	Machine screws, 4 - 40 NC x 1/4	Consult
14	69538	Power supply bracket	Consult
15	14621	Nut, KEP, 6 - 32 NC	Consult
16	15630	Lock nuts for 1/2 NPT Cord-grips	Consult
17	67530	Interface board connector plate	Consult
18	67535	Interface board gasket	Consult
19	67869	Interface board PS2, DB-9	Consult
	111109	Interface board USB (requires Rev. L CPU)	Consult
20	55708	Screw, mach 4-40 NC x .38	Consult
21	14875	Machine screws, 10 - 32 NF x 3/8 Phillips	Consult
22	15140	Lock washers, no. 10 Type A	Consult
23	46192	Ribbon cable clamps	Consult
24	68661	Standoffs, long	Consult
25	69898	Nylon spacers	Consult
26	14618	Nut, KEP, 4 - 40 NC	Consult
27	15631	Cable tie, 3 in nylon	Consult

Indicators/Controllers

920i® Wall Mount Indicator/Controller

Main Assembly

Part Number/Price

Ref#	Part#	Description	Price
28	71431	Power supply cable assembly, to CPU board	Consult
29	71436	Ribbon cable to interface board	Consult
30	67886	Standoffs, short	Consult
31	71739	Clip, clinching enclosure	Consult
37	42640	Screw, mach 1/4-28 NF x .25	Consult
38	59250	Washer	Consult
39	30376	Seal ring, nylon 1/2 NPT	Consult
40	15628	Cord grip, 1/2 NPT black	Consult
41	71455	Screw, mach 1/4-28 NF x 3/4	Consult
42	71447	Screw, mach 1/4-28 NF x .75	Consult
44	71333	Power supply, VAC 65W	Consult
45	68216	Nameplate, Rice Lake	Consult
46	69290	Battery, 3V coin lithium	Consult
47	67610	Card, A/D single channel	Consult
48	68724	Cover gasket	Consult
49	66502	Overlay, membrane switch	Consult
50	117930	CPU board green solder mask	Consult
50	186272	CPU board blue solder mask	Consult
51	15650	Cable tie mounts, 3/4"	Consult
52	16861	High voltage warning label	Consult
53	16892	Ground/earth label	Consult
54	68621	Fuse access coverplate gasket	Consult
55	68903	Back panel	Consult
60	88733	Vent, breather sealed	Consult
61	88734	Nut, breather vent	Consult
	69898	Washer, nylon #4	Consult
	159946	Backlight for displays with suffix WRUS	Consult

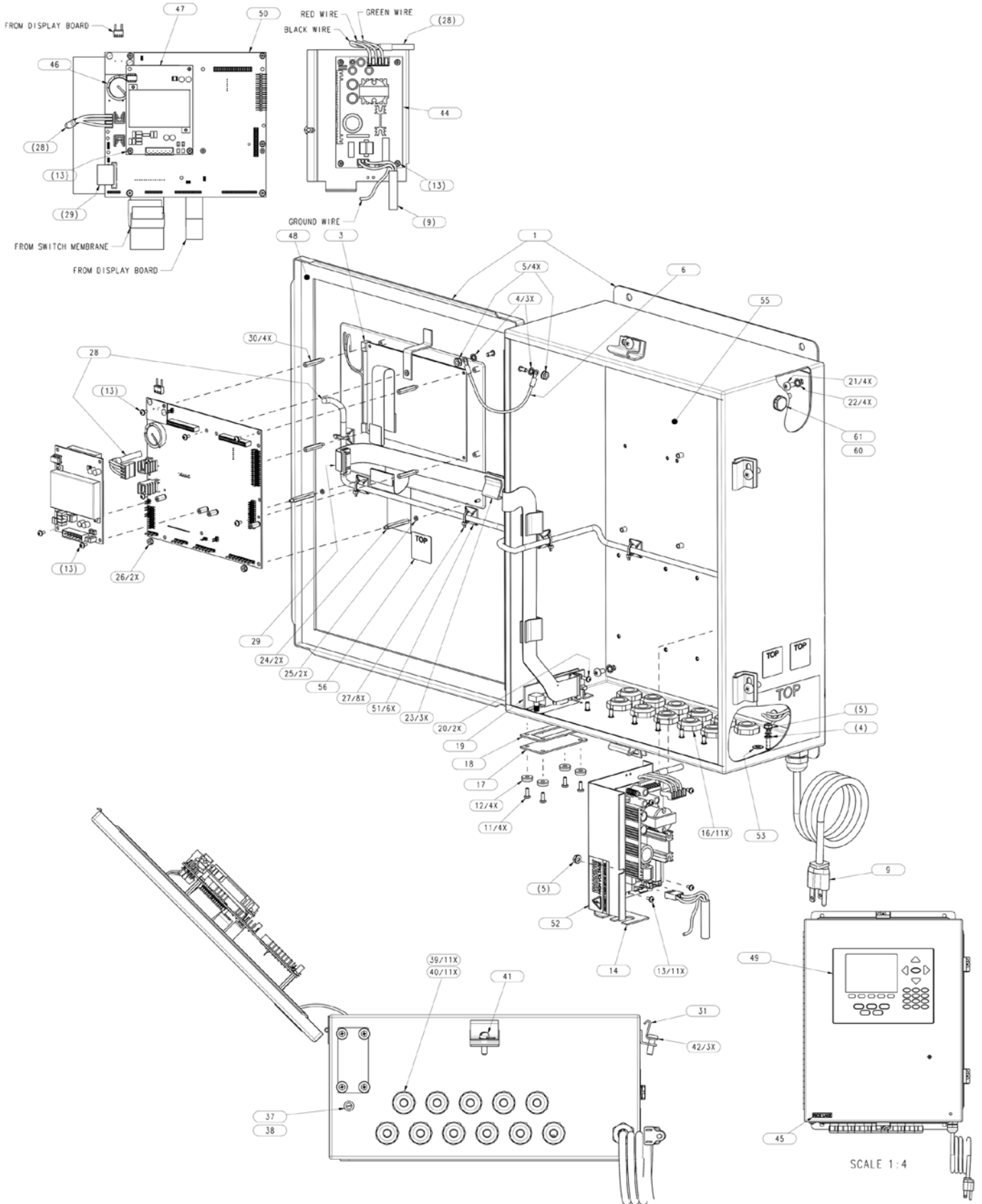
The LED backlight display can be used with green CPU board Rev N or older by replacing the power supply cable. Universal 186464 (AC) 186464 (DC); Deep universal 186278 (AC) 187603 (DC); Panel 186278 (AC) 187603 (DC); Wall 186760 (AC) 188345 (DC); Two-slot expansion for wall 188716 (AC) 189724 (DC); Two-slot expansion panel for deep universal 188717 (AC) 189725 (DC); Six-slot expansion for wall 188774 (AC).
(See Diagram 920i-J)



INDICATORS

920i® Wall Mount Indicator/Controller

Main Assembly



Indicators/Controllers

920i-J

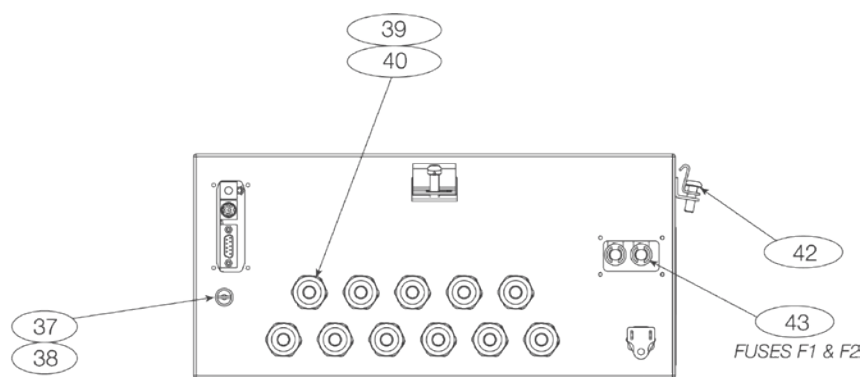
920i® Wall Mount Indicator/Controller

Bottom View

Part Number/Price

Ref#	Part#	Description	Price
37	32365	Set-up switch access screw, 1/4 x 20 NC x 1/4	Consult
38	59250	Sealing washer for set-up switch access screw	Consult
39	30376	Nylon seal rings for 1/2 NPT Cord-grips	Consult
40	15628	Cord-grips, 1/2 NPT	Consult
42	71447	Machine screws, 1/4 - 28 NF x 3/4 Phillips	Consult
	71455	Machine screw, 1/4-28 NFX x 3/4, drilled fillister	Consult
	71739	Clip, clinching	Consult
43	71462	Fuses F1 and F2 (115 VAC and 230 VAC North American models), 3.15 A Time-Lag TR5	Consult
	72339	Fuses F1 and F2 (230 VAC European models), 3.15 A Time-Lag TR5	Consult

(See Diagram 920i-K)



920i-K

INDICATORS

920i® Wall Mount Indicator/Controller

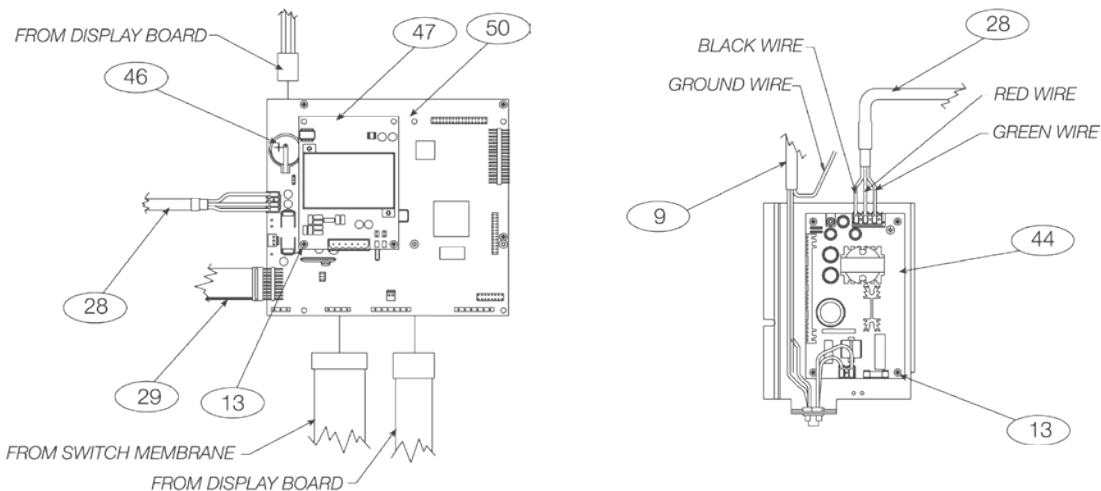
CPU Board & Power Supply Connections



Part Number/Price

Ref#	Part#	Description	Price
	71781	34 pin flat cable, 16"	Consult
	71780	34 pin flat cable, 23.5"	Consult
9	67795	Power cord assembly, 115VAC and 230VAC North American units	Consult
	69998	Power cord assembly, 230VAC European units	Consult
13	14822	Machine screws, 4 - 40 NC x 1/4	Consult
28	71431	Power supply cable assembly, to CPU board	Consult
29	71436	Ribbon cable to interface board	Consult
44	71333	Power supply, VAC, 65W	Consult
	97474	DC/DC converter, 9-36 VDC, +/-6 VDC 25W	Consult
46	70069	3V Lithium coin battery	Consult
47	68532	Single-channel A/D card option	Consult
	68533	Dual-channel A/D card option	Consult
	87697	Analog input and thermocouple	Consult
	67600	Memory, 1 MB NV RAM option	Consult
	67601	Digital I/O, 24-channel option	Consult
	67602	Analog output: selectable 0-10V, 0-20 mA option	Consult
	103138	Analog output, dual channel 0-10VDC, 0-20 mA option	Consult
	67604	Serial, dual channel option	Consult
	67603	Pulse input, single channel option	Consult
	68541	DeviceNet™ interface option	Consult
	68539	Allen-Bradley® Remote I/O interface option	Consult
	68540	Profibus® DP interface option	Consult
	103136	Control net interface option	Consult
	87803	EtherNet/IP (for A-B PLC)	Consult
	71986	Ethernet TCP/IP 10/100 Base-T module (internal) option	Consult
	69782	Option, 2-Slot Expansion Board, (Wall Mount)	Consult
	69808	Board assembly, Expansion 2-Slot	Consult
	71757	Cable assembly, DC Power, CPU and Expansion	Consult
	71780	Cable assembly, Ribbon 23 inch	Consult
	69783	Option, 6-Slot Expansion Board, (Wall Mount)	Consult
	69809	Board assembly, Expansion	Consult
	71759	Cable assembly, DC Power to Expansion, 27 inch	Consult
	71781	Cable assembly, Ribbon 16 inch	Consult
	87164	Cable assembly, Ribbon 5.5 inch	Consult
50	117930	CPU board green solder mask	Consult
50	186272	CPU board blue solder mask	Consult

The LED backlight display can be used with green CPU board Rev N or older by replacing the power supply cable. Universal 186464 (AC) 186464 (DC); Deep universal 186278 (AC) 187603 (DC); Panel 186278 (AC) 187603 (DC); Wall 186760 (AC) 188345 (DC); Two-slot expansion for wall 188716 (AC) 189724 (DC); Two-slot expansion panel for deep universal 188717 (AC) 189725 (DC); Six-slot expansion for wall 188774 (AC).
(See Diagram 920i-L)



920i-L

Indicators/Controllers

1280 Enterprise Universal Enclosure



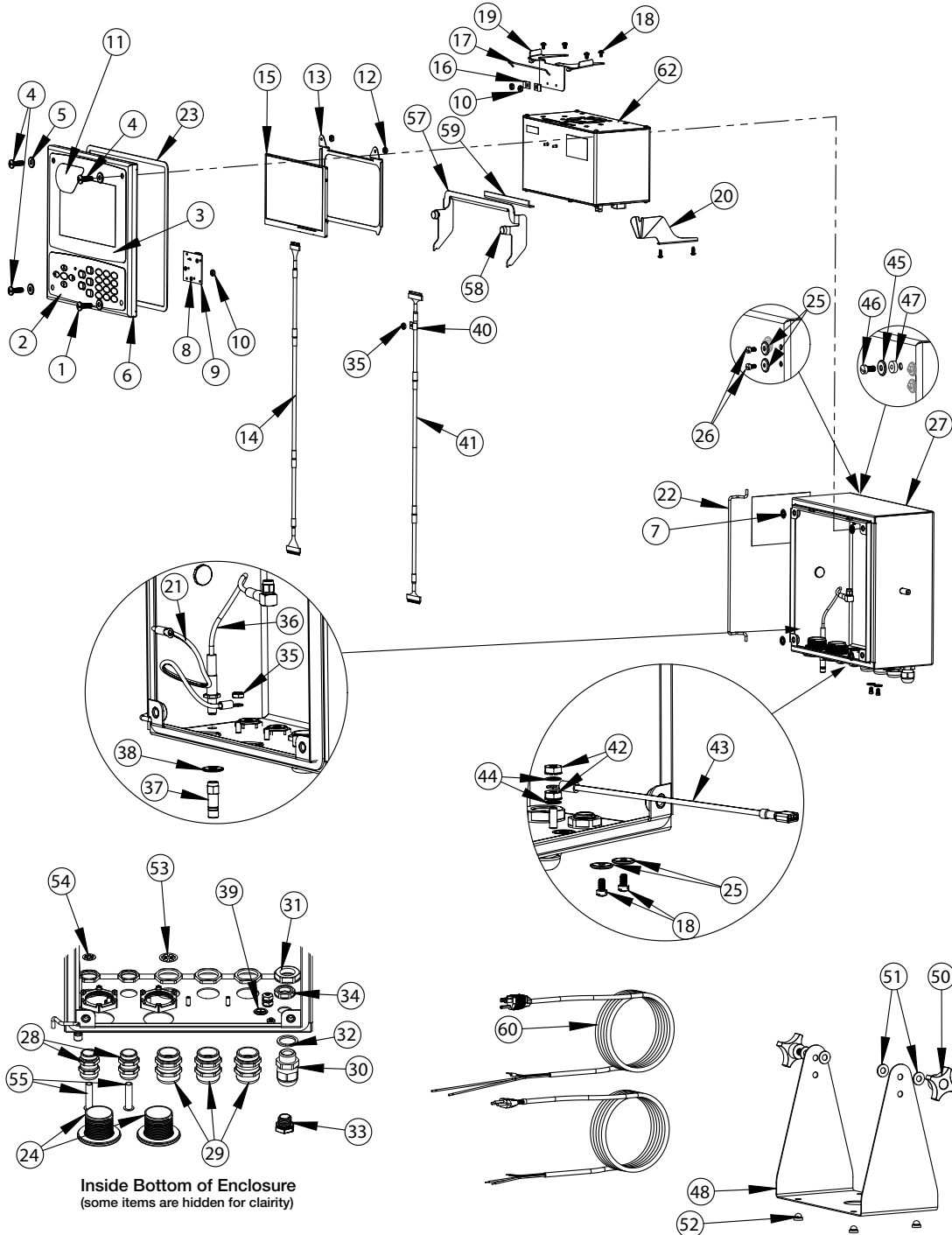
Part Number/Price

	Part#	Description	Price
	169926	Door assembly, universal (inc. 1-11)	Consult
1	165970	Screw, 1/4-20NC x 3/4"	Consult
2	161731	Overlay, keypad 1280	Consult
3	161730	Overlay, touchscreen 1280	Consult
4	166631	Screw, 1/4-20NC x 3/4"	Consult
5	182281	Washer, washer cup 1/4 in	Consult
5	182246	Washer gasket, 1/4 in	Consult
6	169450	Front door, 1280 universal	Consult
7	166653	Retainer, pushnut bolt 1/4"	Consult
8	69898	Washer, nylon #4 ID = 0.112	Consult
9	160759	Board assembly, 1280 HMI_Int	Consult
10	159280	Nut, lock nylon insert	Consult
11	172840	Decal, 1280 start screen	Consult
12	58248	Nut, lock 6-32 NC HEX nylon	Consult
13	162272	Mounting bracket (500 NITS)	Consult
	162271	Mounting bracket (1000 NITS)	Consult
14	163467	Cable, CPU to display (500 NITS)	Consult
	163444	Cable, CPU to display (1000 NITS)	Consult
15	163400	500 NIT display, 7" LCD	Consult
	163399	1,000 NIT display, 7" LCD	Consult
	169461	Universal controller bracket (inc. 16-20)	Consult
16	53075	Clamp, ground cable shield	Consult
17	168545	Bail, 1280 controller retainer wire	Consult
18	14839	Screw, machine 6-32NC x 1/4"	Consult
19	169462	Bracket assembly, 1280 controller	Consult
20	168937	Snap tap, 1280 controller support	Consult
	169927	Universal cabinet assembly (inc. 21-39)	Consult
21	40672	Wire assembly, ground 9"	Consult
22	169410	Hinge Link	Consult
23	160379	Gasket, front panel	Consult
24	124698	Panel plug, round solid	Consult
25	167537	Washer, sealing BarTite #6	Consult
26	183663	Tall flanged drilled hex head screw	Consult
27	169452	Enclosure shell assembly, universal	Consult
28	169875	Cord grip, PG 9 with nut	Consult
29	169876	Cord grip, PG 13.5 with nut	Consult
30	15626	Cord grip, black PG 9	Consult
31	15627	Locknut, black PCN9	Consult
32	30375	Seal ring, nylon PG9	Consult
33	164598	Vent, breather sealed	Consult
34	88734	Nut, breather vent	Consult
35	58248	Nut, lock 6-32 NC hex nylon	Consult
36	166240	Cable, antenna extension	Consult
37	168098	Antenna, RP-SMA	Consult
38	182281	Washer, washer cup 1/4 in	Consult
38	182246	Washer gasket, 1/4 in	Consult
39	16892	Label, ground	Consult
	161035	Universal enclosure (inc. 40-49)	Consult
40	67550	Clamp, ground cable shield	Consult
41	166693	Cable, CPU to HMI 1280	Consult
42	14626	Nut, KEP 8-32 NC Hex	Consult
43	167700	Wire, ground 9 Inch	Consult
44	15134	Washer, lock No 8 type A	Consult
45	182282	Washer cup #10	Consult
46	183662	Tall flanged drilled hex head screw	Consult
48	161620	Stand, tilt surface mount	Consult
	163785	Universal parts kit (inc. 50-56)	Consult
50	164064	Hand knob, 4-arm 5/16-18	Consult
51	79024	Washer, plain 5/16" nylon	Consult
52	42149	Bumper, rubber grommet	Consult
53	169879	Clip, cord grip PG 13.5 cable	Consult
54	169878	Clip, cord grip PG 9 cable	Consult

1280 Enterprise Universal Enclosure

Part Number/Price

Ref#	Part#	Description	Price
55	19538	Post plug, slotted black	Consult
	172859	Bracket assembly (inc. 57-59)	Consult
57	172856	Bracket, 1280 controller	Consult
58	151491	Foot, rubber bumper	Consult
59	172872	Pad, foam	Consult
60	165108	1280 opt, cord US plug	Consult
61	165109	1280 opt, cord European plug	Consult
62	169676	Controller assembly see page 173	Consult



Inside Bottom of Enclosure
(some items are hidden for clarity)

Indicators/Controllers

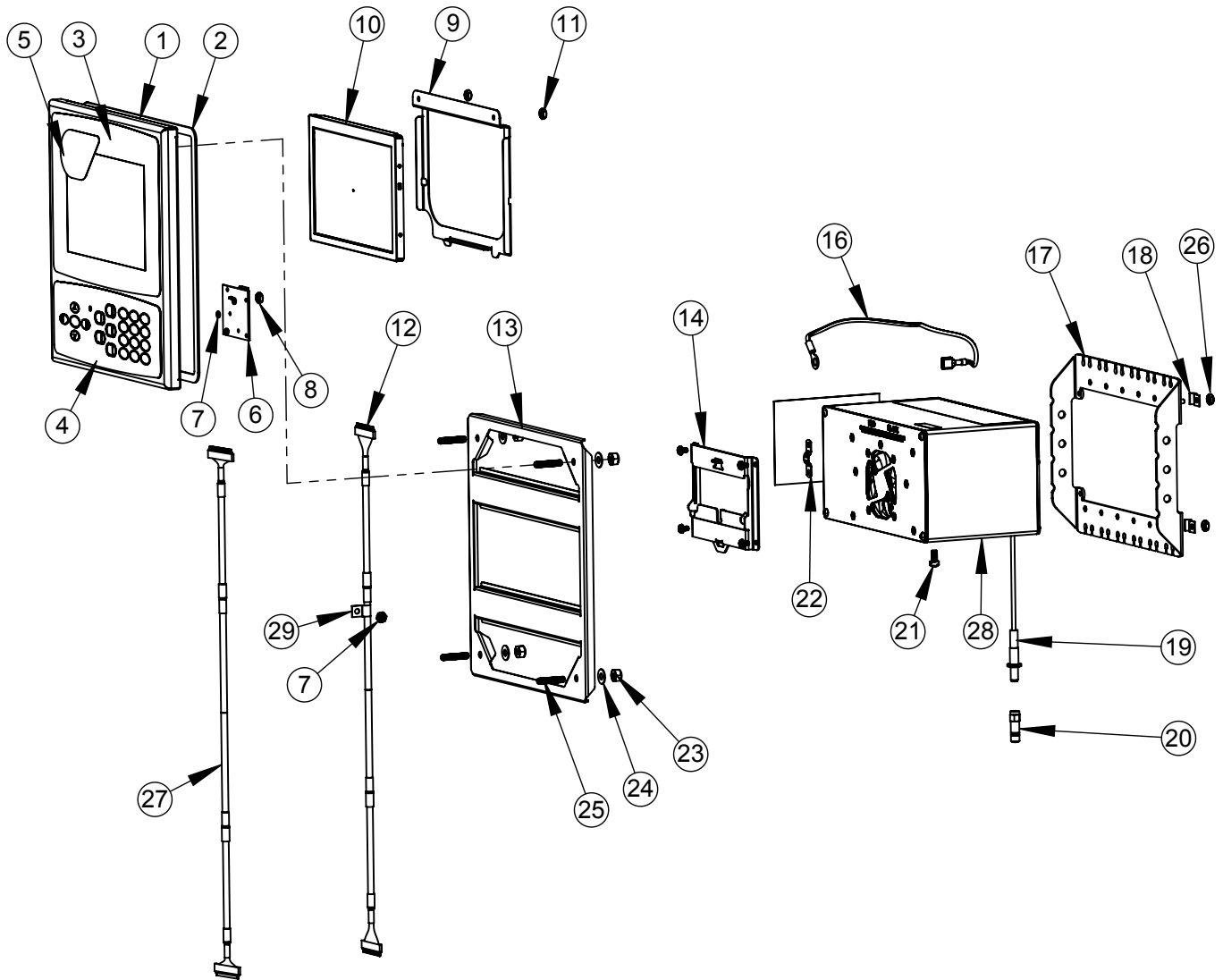
1280 Enterprise Panel Enclosure



Part Number/Price

Part#	Description	Price
Face Panel Assembly Kit		
	169930 1280 Face Panel Assembly without Display Kit	Consult
1	169929 Face panel 1280	Consult
2	160379 Gasket, front panel	Consult
3	164120 Overlay, touchscreen	Consult
4	164121 Overlay, keypad	Consult
5	172840 Decal, 1280 start screen	Consult
6	160759 Board assembly, HMI-Int	Consult
7	69898 Washer, nylon #4 ID = 0.112	Consult
8	159280 Nut, lock nylon insert	Consult
Panel Mount Display Kit		
	166725 Panel Mount 500 NIT Display Kit	Consult
	166726 Panel Mount 1000 NIT Display Kit	Consult
9	162272 Mounting bracket (500 NIT)	Consult
	162271 Mounting bracket (1000 NIT)	Consult
10	163400 Display, 7 in LCD (500 NIT)	Consult
	163399 Display, 7 in LCD (1,000 NIT)	Consult
11	58248 Nut, lock 6-32NC hex nylon	Consult
12	164995 Cable, CPU to display (500 NIT)	Consult
	164970 Cable, CPU to display (1000 NIT)	Consult
13	177802 Backer bracket	Consult
14	166838 Bracket assembly, DIN rail	Consult
Panel Mount Parts Kit		
	163786 Panel Mount Parts Kit	Consult
16	202845 Wire, 9 in ground, 1/4 in eye	Consult
17	169023 Ground bus bar	Consult
18	53075 Clamp, ground cable shield	Consult
19	166241 Cable, antenna extension	Consult
20	168098 Antenna, RP-SMA	Consult
21	14877 Screw, Fillister 10-32NF x 3/8 in	Consult
22	168629 Ground strap, 1280 CPU	Consult
23	14630 Nut, lock 10-32NF hex	Consult
24	22062 Washer, plain No 10 type A	Consult
25	168877 Screw, set #10-32 x 1 in	Consult
26	14621 Nut, KEP 6-32NX hex	Consult
	15130 Washer, lock no 6 type A	Consult
	158207 Screw, mach 6-32 x 1/4 in Fillister	Consult
Additional Parts		
27	166694 Cable, CPU to HMI 1280	Consult
28	199157 Controller assembly see page 173	Consult
29	67550 Clamp, ground cable shield	Consult
	14839 Screw, mach 6-32NC x 1/4 in	Consult

1280 Enterprise Panel Enclosure



Indicators/Controllers

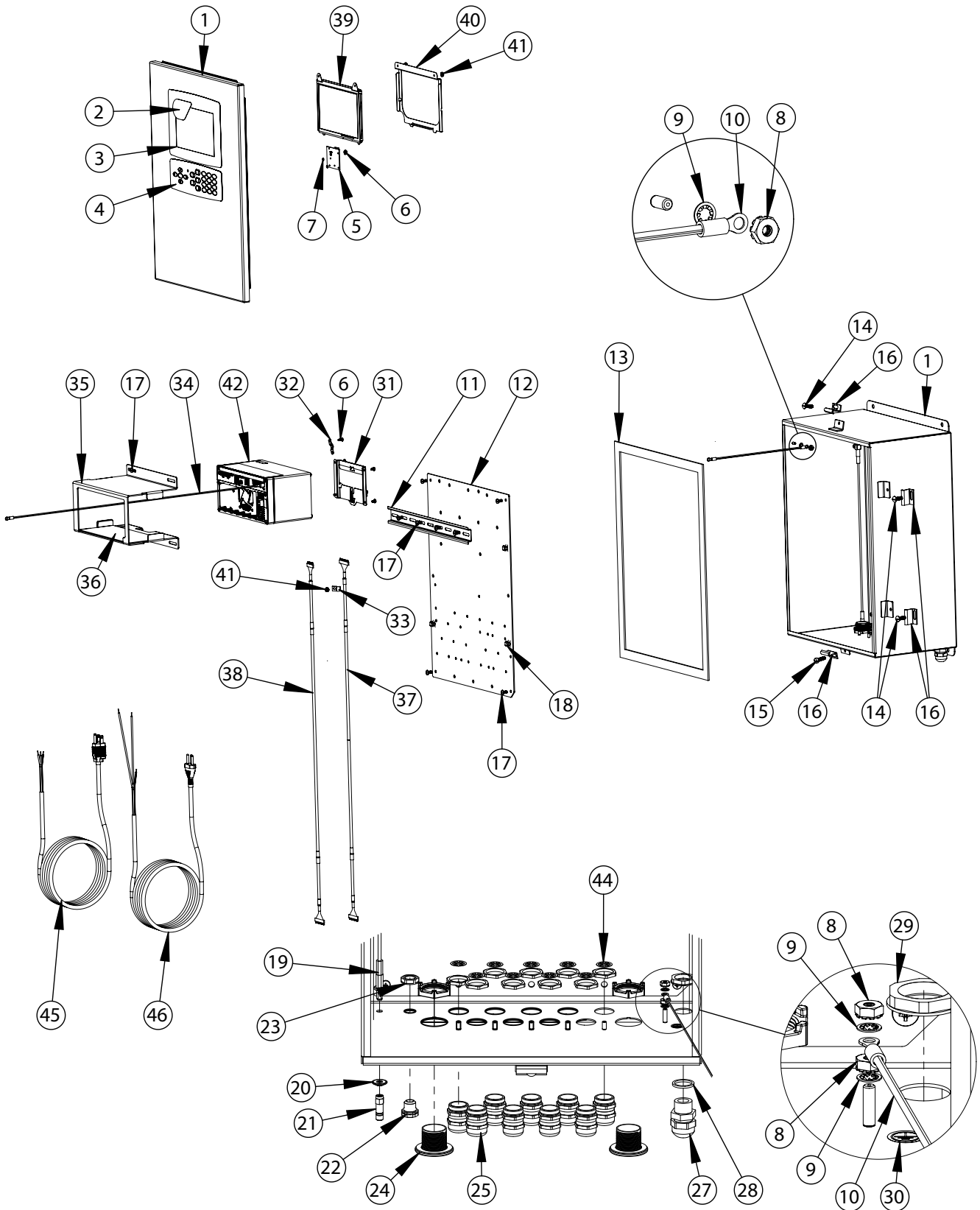
1280 Enterprise Wall Enclosure



Part Number/Price

	Part#	Description	Price
	164680	1280 Indicator sub-assembly (includes 1-29)	Consult
1	161416	Enclosure assembly	Consult
2	172840	Decal, 1280 start screen	Consult
3	164120	Overlay, touchscreen	Consult
4	164121	Overlay, keypad	Consult
5	160759	Board assembly, 1280 HMI interface	Consult
6	159280	Nut, lock nylon insert	Consult
7	69898	Washer, nylon #4 ID 0.112"	Consult
8	14626	Nut, KEP 8-32NC hex	Consult
9	15134	Washer, lock No 8 type A	Consult
10	40672	Wire assembly, ground 9"	Consult
11	43383	Rail, DIN 12.75" length	Consult
12	164900	Back plane panel, 1280	Consult
13	68724	Gasket, cover	Consult
14	71447	Screw, Mach 1/4 - 28NF x 3/4"	Consult
15	71455	Screw, Mach 1/4 - 28NF x 3/4"	Consult
16	71739	Clip, clinching enclosure	Consult
17	14875	Screw, Mach 10-32NF x 3/8"	Consult
18	80590	Mount, cable tie arrowhead	Consult
19	166241	Cable, antenna extension	Consult
20	166634	Washer, sealing Bartite	Consult
21	168098	Antenna, RP-SMA	Consult
22	88733	Vent, breather sealed	Consult
23	88734	Nut, breather vent	Consult
24	124695	Panel plug, round solid	Consult
25	169876	Cord grip, PG13.5 with nut	Consult
26	68600	Cord grip, PG11	Consult
27	68599	Seal ring, nylon PG 11	Consult
28	68601	Nut, PG 11, power cord cable	Consult
29	16892	Label, ground protective	Consult
30	165902	Label	Consult
31	166838	Bracket assembly, DIN rail	Consult
32	168629	Ground strap, 1280 CPU	Consult
33	67550	Clamp, ground cable shield	Consult
34	167701	Wire, ground 24 #8 eye	Consult
	173052	Bracket assembly, 1280 (includes 35-36)	Consult
35	172860	Bracket, 1280 wall mount	Consult
36	173053	Gasket, 1280 wall mount	Consult
37	166694	Cable, CPU to HMI	Consult
	166725	Universal display, 500 NITS (includes 38-41)	Consult
	166726	Universal display, 1000 NITS (includes 38-41)	Consult
38	164995	Cable, CPU to display (500 NIT display)	Consult
	164970	Cable, CPU to display (1000 NIT display)	Consult
39	163400	500 NIT display, 7" LCD	Consult
	163399	1,000 NIT display, 7" LCD	Consult
40	162272	Mounting bracket (500 NIT display)	Consult
	162271	Mounting bracket (1000 NIT display)	Consult
41	58248	Nut, lock 6-32NC hex nylon	Consult
42	163676	Controller assembly see page 173	Consult
	163787	Parts kit 1280 wall mount (includes 43-44)	Consult
43	15631	Cable tie, 3" nylon	Consult
44	169879	Clip, cord grip PG13.5	Consult
	172220	Plug, 3/8 barb for tubing	Consult
45	165111	Opt, cord US power	Consult
46	165112	Opt, cord Europe	Consult

1280 Enterprise Wall Enclosure



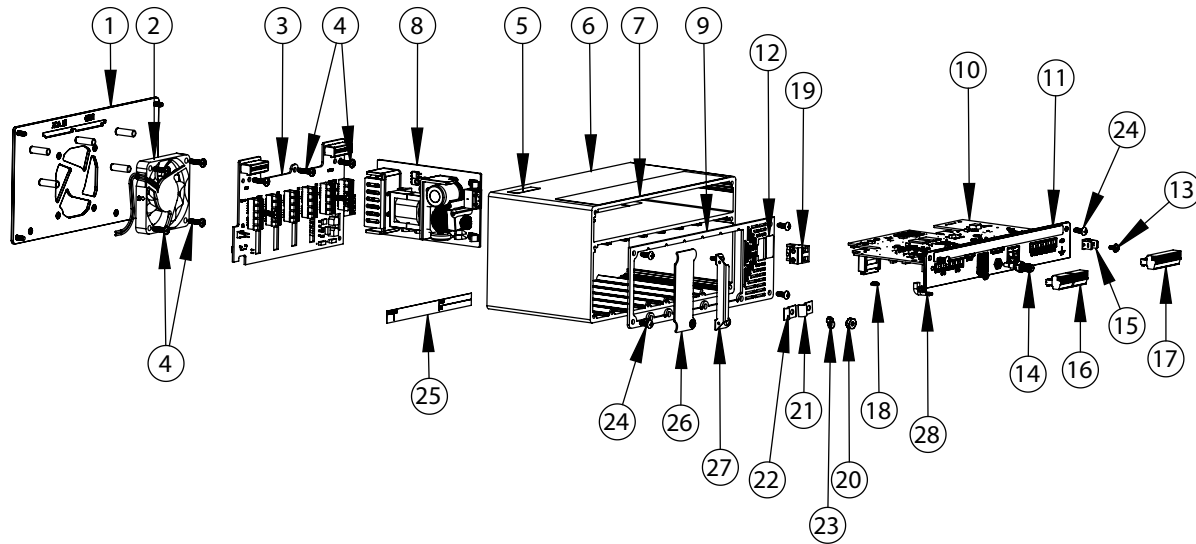
Indicators/Controllers

1280 Enterprise Controller Assembly

Part Number/Price

	Part#	Description	Price
	161519	Controller assembly	Consult
1	169350	Fan mount plate assembly	Consult
2	166745	Fan assembly, 60 mm x 10 mm DC	Consult
3	160758	Board assembly, 1280 backplate	Consult
4	44341	Screw, Mach 6-32 NC x 1/2" lg	Consult
5	168591	Label, ESD warning	Consult
6	169159	Extrusion assembly	Consult
7	167190	Label, 1280 controller	Consult
8	162693	Power supply, 85-265 VAC	Consult
	162694	Power supply, 9-36 VDC	Consult
9	169354	Face plate assembly AC	Consult
	169356	Face plate assembly DC	Consult
10	160757	Board assembly, CPU 1280 ind	Consult
11	169357	Face plate, CPU PCB	Consult
12	167476	Label, AC power	Consult
	167477	Label, DC power	Consult
13	14822	Screw, Mach 4-40 NC x 1/4"	Consult
14	163336	Cable, antenna bulkhead	Consult
15	168830	Terminal, tab 1/4" push	Consult
16	153882	Conn, 5 Pos screw terminal	Consult
17	164918	Conn, 10 Pos screw terminal	Consult
18	170492	Battery, rechargeable	Consult
19	162677	Conn, 2 Pos screw terminal AC	Consult
	15888	Conn, 3 Pos screw terminal DC	Consult
20	14621	Nut, Kep 6-32 NC hex	Consult
21	67550	Clamp, ground shield	Consult
22	53075	Clamp, ground shield	Consult
23	15631	Cable tie, 3" nylon	Consult
24	163327	Screw, Mach 6-32 NC x 3/8"	Consult
25	94422	Label, capacity	Consult
26	163408	Blank plate, option card slot cover	Consult
27	165927	Clip, locking load cell	Consult
28	165492	Light pipe	Consult

Indicators/Controllers

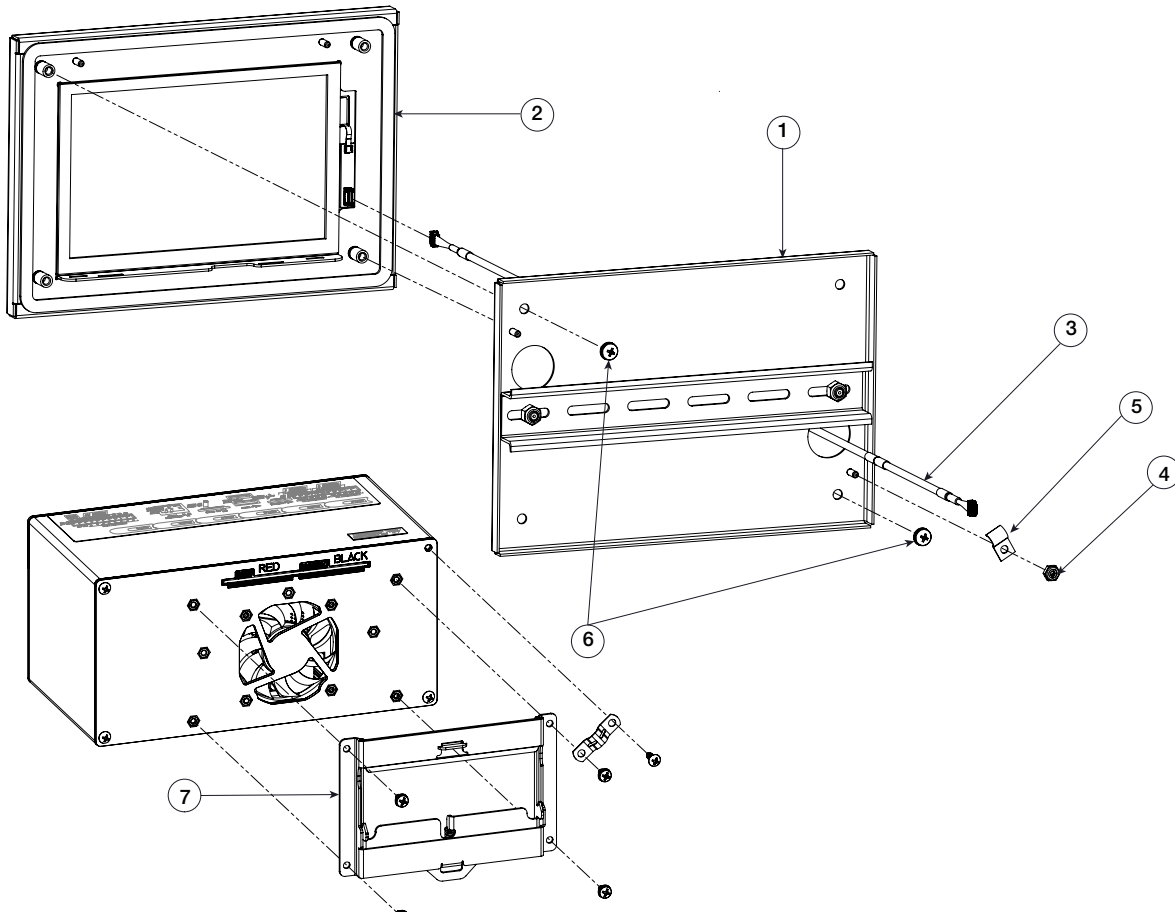


1280 Enterprise Controller Assembly

7 in Touch Only Screen

Part Number/Price

Part#	Description	Price
1	182145 Mounting plate assembly, 7 in panel mount	Consult
2	Components of Part# 176168	Consult
	176129 Front panel enclosure	Consult
	176403 Gasket for 7 in	Consult
	178498 Touch screen overlay	Consult
3	180002 Cable, CPU to touchscreen	Consult
4	58248 Locknut, 6-32 NC nylon insert	Consult
5	67550 Clamp, ground cable shield	Consult
6	55718 Screw, machine 10-32 NF x 1/4 internal tooth washer	Consult
7	166838 DIN rail mount, 1280 CPU	Consult
	164995 Cable, CPU to display (500 Nit)	Consult
	164970 Cable, CPU to display (1,000 Nit)	Consult
	163400 500 NIT display, 7" LCD	Consult
	163399 1,000 NIT display, 7" LCD	Consult



Indicators/Controllers

INDICATORS

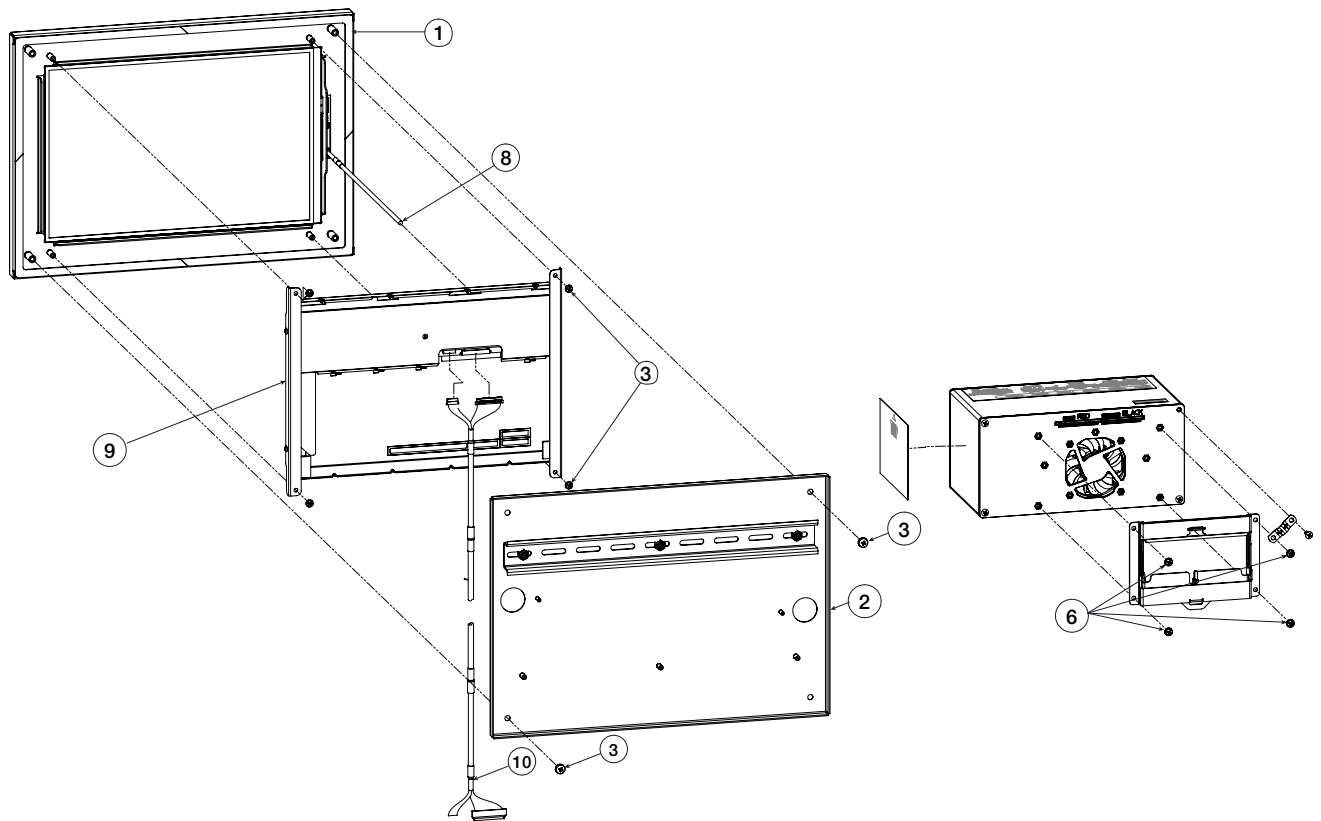
1280 Enterprise Controller Assembly

12in Touch Only Screen

Part Number/Price



Part#	Description	Price
1 Components of Part# 176167		
	176127 Front panel enclosure	Consult
	176404 Gasket for 12 in	Consult
	176126 Touch screen overlay	Consult
2	179554 Mounting bracket, 1280	Consult
3	55718 Screw, machine 10-32NF x 1/4 internal tooth washer	Consult
6	166838 Din rail mount	Consult
8	180002 Cable, CPU to touchscreen	Consult
9	182992 Display, 12 in	Consult
10	180001 Cable, CPU to display	Consult



Indicators/Controllers

Part Number/Price

Part#	Description	Price
164085	Single scale A/D	Consult
166957	A/D sealing kit	Consult
164683	Dual scale A/D	Consult
166957	A/D sealing kit	Consult
164684	Digital I/O	Consult
164685	Dual serial channel	Consult
165366	Single analog out	Consult
164686	Dual analog out	Consult
164689	Relay card	Consult
164687	Dual analog input	Consult
165792	EtherNet/IP	Consult
165793	DeviceNet	Consult
165794	Profinet	Consult
165796	Modbus TCP	Consult
165795	Profibus DP	Consult
179533	EtherCAT	Consult
182319	PowerLink	Consult

Tracer AV

Part Number/Price

Part#	Description	Price
Controller		
105652	Coverplate, Tracer AV	Consult
105654	Screw, sheet metal zinc	Consult
14626	Nut, KEP 8-32NC HEX	Consult
14839	Screw, MACH 6-32NC x 1/4	Consult
15134	Washer, lock no. 8 type A	Consult
15373	Standoff, male female 6-32NCx	Consult
15438	Power cord, detachable	Consult
45043	Wire, ground 4 in with no. 8	Consult
71217	Screw, MACH 8-32NC x 1/4	Consult
76556	Power supply, switching	Consult
78745	Connector, assembly, AC input	Consult
85494	Cover, protective plastic	Consult
93666	Cable assembly, AC input	Consult
97880	Machining enclosure	Consult
97978	Board, printed circuit	Consult
97997	Cable assembly, DC supply	Consult
98316	Lit, manual Tracer AV	Consult
99131	Board assembly, CPU 420 AV	Consult
Keypad		
14626	Nut, KEP 8-32NC HEX	Consult
50749	Cable, DB9 female to DB9 female	Consult
71014	Switch, piezo SST SPST	Consult
74698	Spacer, 1/4 in round #8 brass	Consult
97878	Cover, rear switch panel	Consult

Part Number/Price

Part#	Description	Price
104859	Bracket, 25 watt power	Consult
104860	Enclosure, formed iQUBE	Consult
104861	Cover, formed iQUBE	Consult
104862	End plate, power supply	Consult
104990	Cable assembly, AC input	Consult
105068	End plate, labeled	Consult
14626	Nut, KEP 8-32NC HEX	Consult
14839	Screw, MACH 6-32NC x 1/4	Consult
15130	Washer, lock no. 6 type A	Consult
15134	Washer, lock no. 8 type A	Consult
15704	Connection, mounting kit D-sub	Consult
54206	Screw, MACH 6-32 x 3/8	Consult
56994	Standoff, male female 6-32NC	Consult
76556	Power supply, switching	Consult
78745	Connector assembly, AC input	Consult
85151	Cable assembly, power supply	Consult
93552	Connector board, PCB assembly	Consult
93553	iQUBE core module	Consult

Indicators/Controllers

Forklift / Pallet Jack Scales

TABLE OF CONTENTS

RL-HPJ..... 122

Forklift /
Pallet Jack Scales

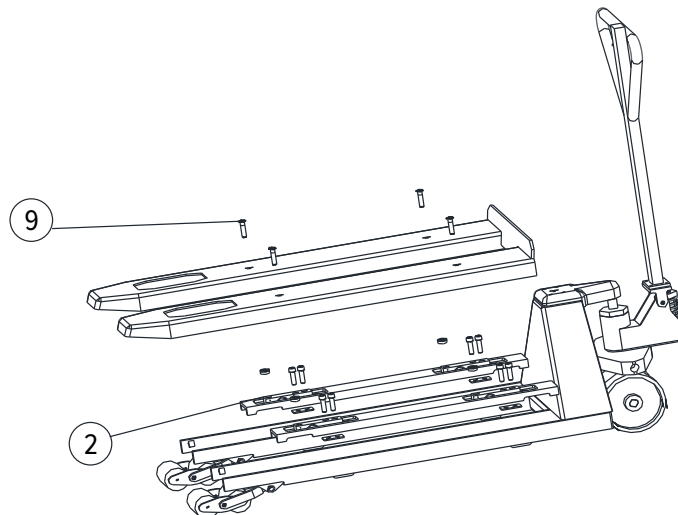
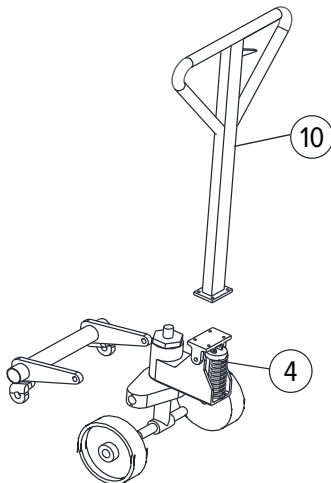
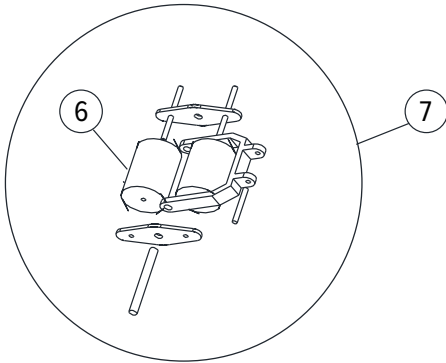
RL-HPJ

Hand Pallet Jack Scale



Part Number/Price

Ref#	Part#	Description	Price
Black Column			
	183591	Black column	Consult
2	183796	Load cell, 1,000 kg capacity	Consult
4	192974	Complete pump kit	Consult
6	192975	Pair of load rollers	Consult
7	192976	Roller holder pad kit complete of pins, rollers and bearings	Consult
9	192973	4 fork cover screws	Consult
10	213097	Handle assembly	Consult
	185677	Rechargeable battery	Consult
	215143	Power supply/charger	Consult
	188259	Printer kit	Consult
	182053	Printer paper	Consult
	197793	Battery connector cable	Consult
	189313	Replacement CPU board	Consult
Black Column with New Style Pump			
	204367	Black column with new style pump	Consult
2	183796	Load cell, 1,000 kg capacity	Consult
4	214534	Complete pump kit	Consult
6	192975	Pair of load rollers	Consult
7	192976	Roller holder pad kit complete of pins, rollers and bearings	Consult
9	192973	4 fork cover screws	Consult
10	218476	Handle assembly	Consult
	185677	Rechargeable battery	Consult
	215143	Power supply/charger	Consult
	188259	Printer kit	Consult
	182053	Printer paper	Consult
	197793	Battery connector cable	Consult
	189313	Replacement CPU board	Consult
Black Column with New Style Pump and InstaPlug Battery			
	212450	Black column with new style pump and InstaPlug battery	Consult
2	183796	Load cell, 1,000 kg capacity	Consult
4	214534	Complete pump kit	Consult
6	192975	Pair of load rollers	Consult
7	192976	Roller holder pad kit complete of pins, rollers and bearings	Consult
9	192973	4 fork cover screws	Consult
10	218476	Handle assembly	Consult
	215142	Rechargeable battery (Insta-plug)	Consult
	215143	Power supply/charger	Consult
	188259	Printer kit	Consult
	182053	Printer paper	Consult
	216451	Battery connector cable	Consult
	189313	Replacement CPU board	Consult



Forklift / Pallet Jack Scales

In-Motion Weighing

TABLE OF CONTENTS

A&D WEIGHING AD-4961 SERIES 202
Base Assembly

A&D Weighing AD-4961 Series

Base Assembly



Part Number/Price

Part#	Description	Synonym	Price
179267	Display unit	AD4961-DISP	Consult
179268	Loadcell module	AD4961-2K-WU	Consult
179269	Infeed conveyor 350 mm (complete - rollers, belts & deck)	AD4961-2035-ICV	Consult
179271	Weigh conveyor 350 mm (complete - rollers, belts & deck)	AD4961-2035-WCV	Consult
179272	Motor assembly 2 kg (changeover)	7PM-4961-M01	Consult
179273	Motor assembly 6 kg (changeover)	1PA4961-M02	Consult
179277	Balanced idler roller 2 kg	1093016397-2	Consult
179278	Balanced drive roller 2 kg	1093016399-2	Consult
179280	Idler roller 6 kg	1PA4961-300B	Consult
179281	Drive roller 6 kg	1PA4961-300KB	Consult
179282	Plastic center gear for AD4961-6K	1074034803	Consult
179283	Washer for the AD4961-6K plastic center gear	110LUW-0509-01	Consult
179284	Plastic gear for AD4961-2KD	1073016799	Consult
179285	SUS gear	1054031232A	Consult
179286	Oilless bearings	11080F0406	Consult
179287	350 mm weigh belt 2 kg CW	110A4UW20X73	Consult
179288	570 mm reject belt 2 kg CW (Low Friction)	SLM5100200WX1180EL	Consult
179289	350 mm belt 2 kg CW(PVC Food Grade)	110SLM41002073E	Consult
179290	500 mm belt 6 kg CW (PVC Food Grade)	1104033516-1	Consult
179291	500 mm reject belt 6 kg CW (low friction)	110SLM5201N3010	Consult
179292	Main board	7PA-4961-CNB	Consult
179293	Motor control board	7PZ6229-CK	Consult

Junction Boxes

TABLE OF CONTENTS

IQUBE ² DIGITAL DIAGNOSTIC JUNCTION BOX	206
REMOTE POWER SUPPLY FOR IQUBE ²	208
IQUBE ² DIGITAL DIAGNOSTIC JUNCTION BOXES.....	209

iQUBE²® Digital Diagnostic Junction Box

Junction Boxes

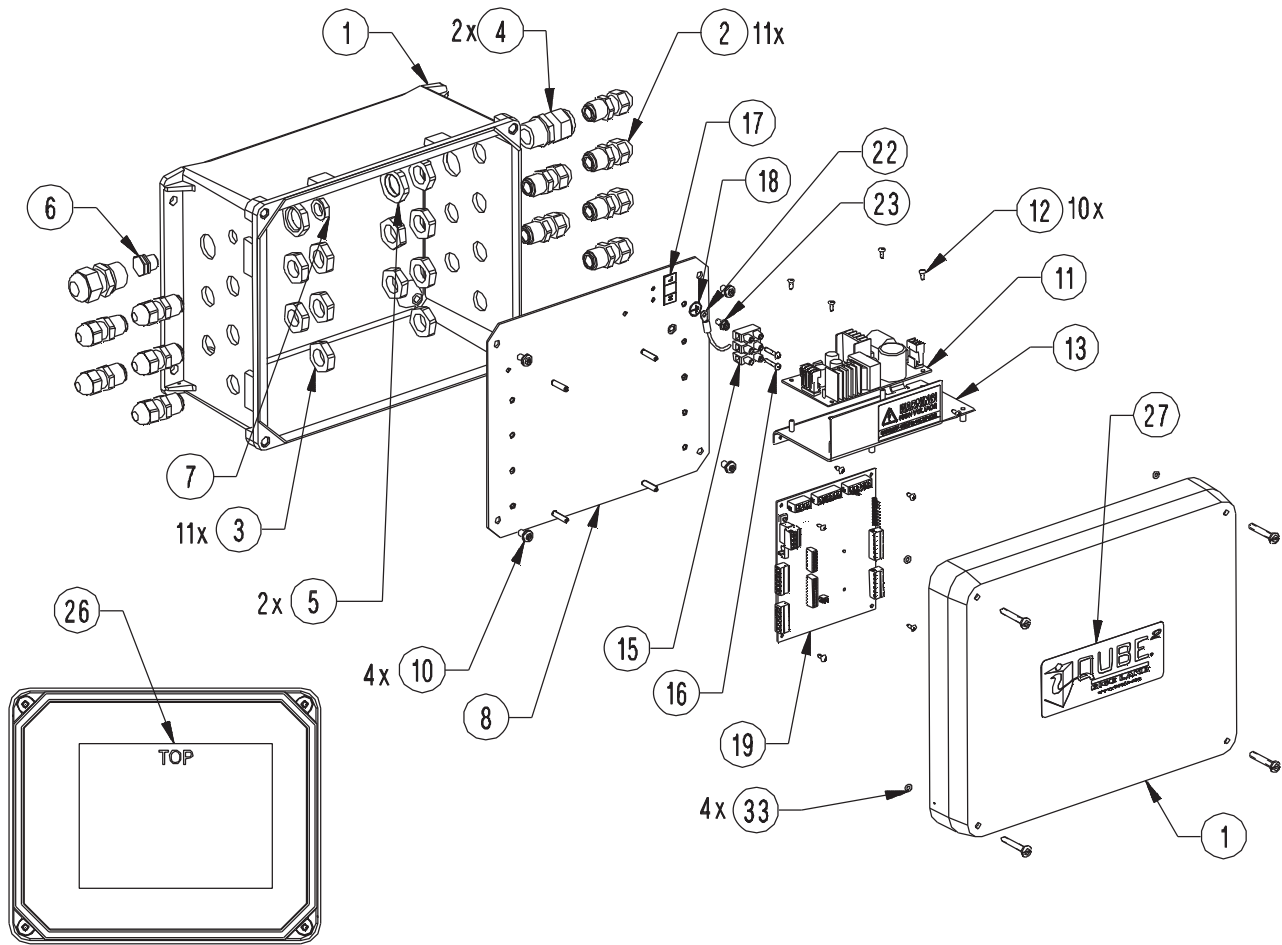


Part Number/Price

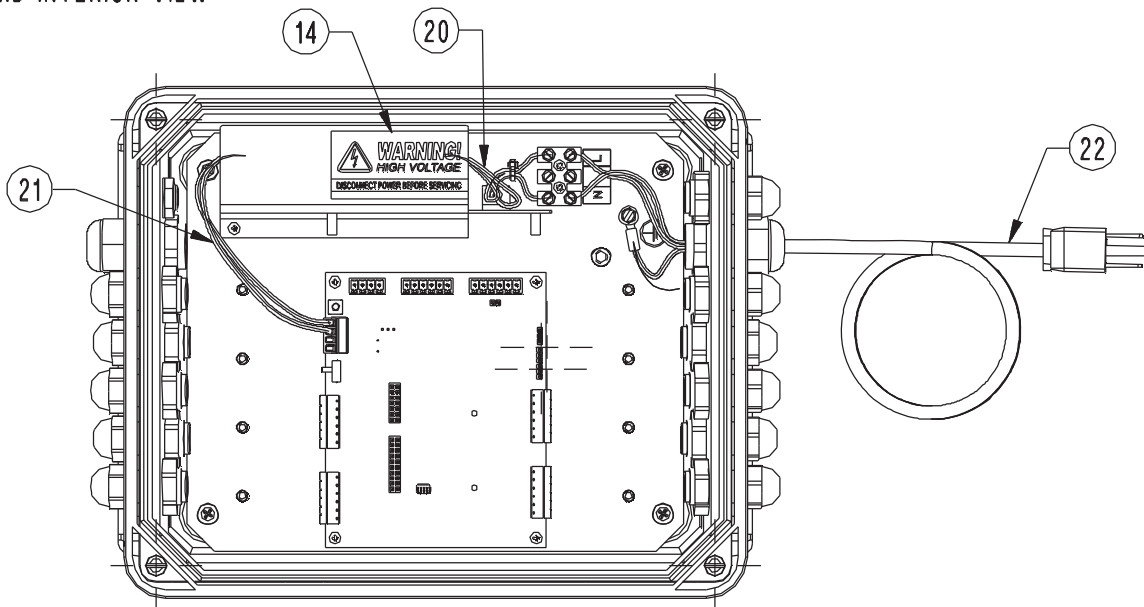
Ref#	Part#	Description	Price
1	106389	10 x 8 x 4 stainless steel enclosure (1)	Consult
	106388	Large FRP enclosure (1)	Consult
	109528	Small FRP enclosure (1)	Consult
2	15655	Cord-grips, 3/8 NPT (11-small; 17-large)	Consult
3	15656	Lock nuts, 3/8 NPT (11-small; 17-large)	Consult
4	15628	Cord-grips, 1/2 NPT (2)	Consult
5	15630	Lock nuts, 1/2 NPT (2)	Consult
6	88733	Breather vent (1)	Consult
7	88734	Breather vent nut (1)	Consult
8	106391	Component plate, small enclosure (1)	Consult
	109153	Component plate, large enclosure (1)	Consult
9	109446	Ground wire, 9in (1)	Consult
10	109526	Machine screws, 10-32 NC x 3/8 (4)	Consult
11	76556	7.5V switching power supply (1)	Consult
12	14825	Machine screws, 4-40 NC x 1/4 (10-small; 12-large)	Consult
13	107026	Power supply mounting bracket (1)	Consult
14	16861	High voltage warning label (1)	Consult
15	44744	3-position terminal block (1)	Consult
16	14834	Machine screws, 4-40 NC x 5/8 (2)	Consult
17	109319	AC power connection label (1)	Consult
19	106390	CPU board (1)	Consult
	108433	CPU board with connectors	Consult
20	109142	AC input cable assembly (1)	Consult
21	109145	CPU board power cable assembly (1)	Consult
22	109581	Power cord assembly, 120 VAC (1)	Consult
23	109529	Machine screw, 8-32 NC x 3/8 (1)	Consult
26	109344	iQUBE ² connection label (1)	Consult
27	109343	iQUBE ² label (1)	Consult
33	81268	O-rings (4-FRP enclosures only)	Consult
	85791	Main power supply fuse, 2.5 amp 5 x 20 mm	Consult
	80869	CPU board fuse, 1.25 amp TR5	Consult
	112262	ReFlash cable, rev. F and newer	Consult
	SZ14469	ReFlash cable, rev. E and older	Consult
	106113	Manual, iQUBE ² installation manual	Consult
	108579	RS232/RS485 board	Consult
	77142	Ethernet TCP/IP board	Consult
	108671	Wireless LAN 802.11 B/G board	Consult
	93245	USB port board	Consult
	77143	Fiber optic board	Consult
	109148	4-Channel Parts Kit Contents	Consult
		14861 Machine screws, 8-32 NC x 3/8 (qty. 8)	Consult
		15134 Lock washers, no. 8 Type A (qty. 8)	Consult
		15631 Cable ties, 3 in (qty. 5)	Consult
		15665 Reducing glands, 1/2 NPT (qty. 2)	Consult
		19538 Slotted posts, 1/4 x 1 (qty. 8)	Consult
		53075 Ground cable clamps (qty. 8)	Consult
		66730 Ferrite EMI suppression filters (qty. 4)	Consult
		76513 4-position screw terminal connector (qty. 1)	Consult
		76514 6-position screw terminal connectors (qty. 6)	Consult
		94422 Capacity label (qty. 1)	Consult
	110333	8-Channel Parts Kit Contents	Consult
		14861 Machine screws, 8-32 NC x 3/8 (qty. 12)	Consult
		15134 Lock washers, no. 8 Type A (qty. 12)	Consult
		15631 Cable ties, 3 in (qty. 5)	Consult
		15665 Reducing glands, 1/2 NPT (qty. 2)	Consult
		19538 Slotted posts, 1/4 x 1 (qty. 10)	Consult
		53075 Ground cable clamps (qty. 12)	Consult
		66730 Ferrite EMI suppression filters (qty. 8)	Consult
		76513 4-position screw terminal connector (qty. 2)	Consult
		76514 6-position screw terminal connectors (qty. 12)	Consult
		94422 Capacity label (qty. 1)	Consult

(See Diagram iQUBE² A)

iQUBE² Digital Diagnostic Junction Box



LID INTERIOR VIEW



BOX INTERIOR VIEW

iQUBE² A

Remote Power Supply for iQUBE²

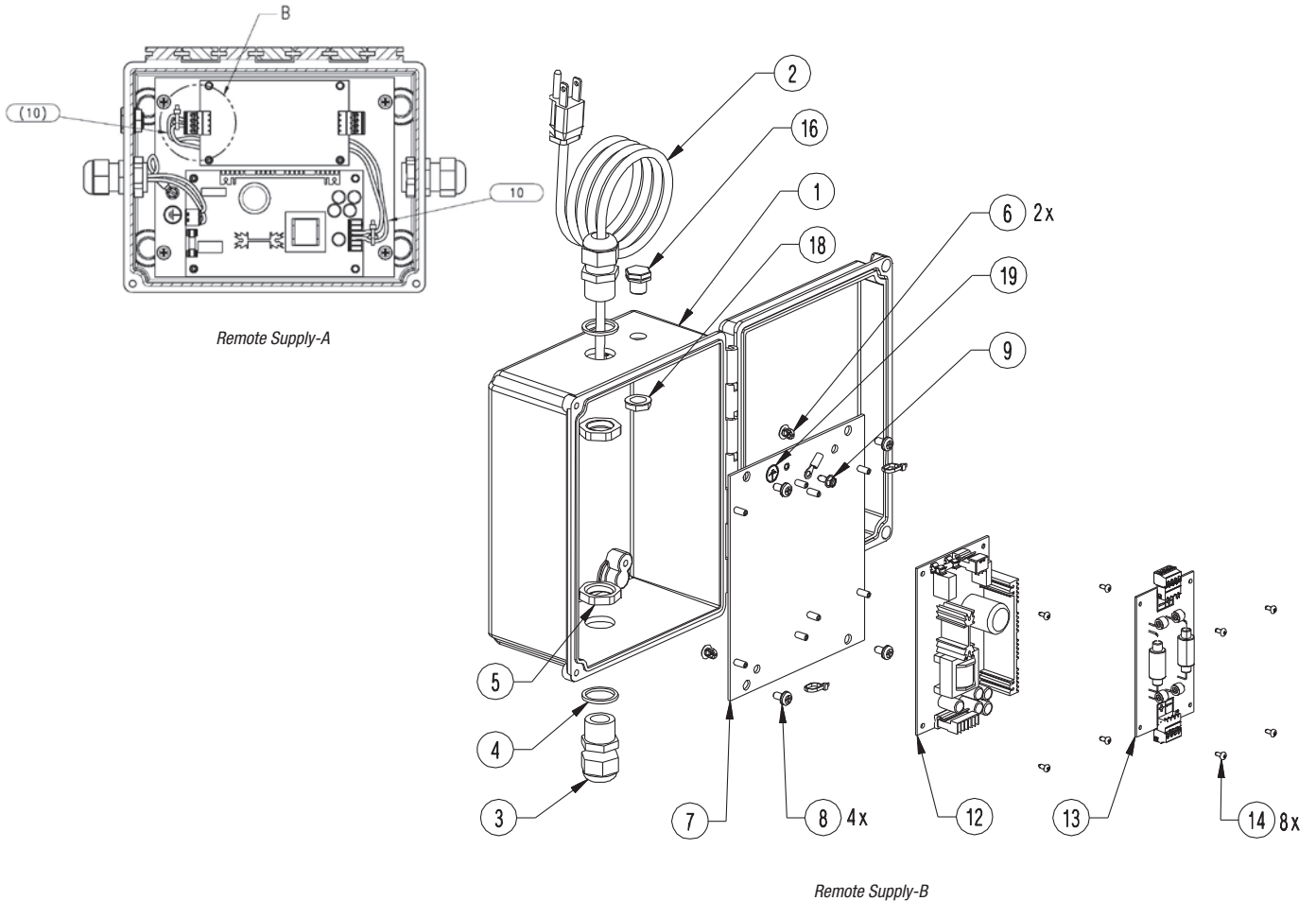
Junction Boxes



Part Number/Price

Ref#	Part#	Description	Price
1	110496	Enclosure (1)	Consult
2	78950	Power cord assembly (1), includes cord-grip, seal ring, lock nut	Consult
3	15628	Cord-grip, 1/2 NPT (1)	Consult
4	30376	Seal ring, 1/2 NPT (1)	Consult
5	15630	Lock nut, 1/2 NPT (1)	Consult
6	80589	Cable tie mounts (2)	Consult
7	110497	Back panel (1)	Consult
8	109526	Machine screws, 10-32 NC x 3/8 (4)	Consult
9	109529	Machine screw, 8-32 NC x 3/8 (1)	Consult
10	110580	Power cable power supply to transient board	Consult
12	72996	12V power supply board (1)	Consult
	54224	Replacement power supply fuse (1)	Consult
13	109396	Transient protection board (1)	Consult
14	14825	Machine screws, 4-40 NC x 1/4 (8)	Consult
16	88733	Breather vent (1)	Consult
18	88734	Breather vent nut (1)	Consult
	15665	Reducing gland for output power cord-grip, 1/2 NPT	Consult
	67967	Connector, 6 position used on 12V power supply board	Consult
	76513	Connector, 4 position used on transient board	Consult
	110564	Manual for remote power supply	Consult

(See Diagram Remote Supply-A and Remote Supply-B)



iQUBE® Digital Diagnostic Junction Boxes

Part Number/Price

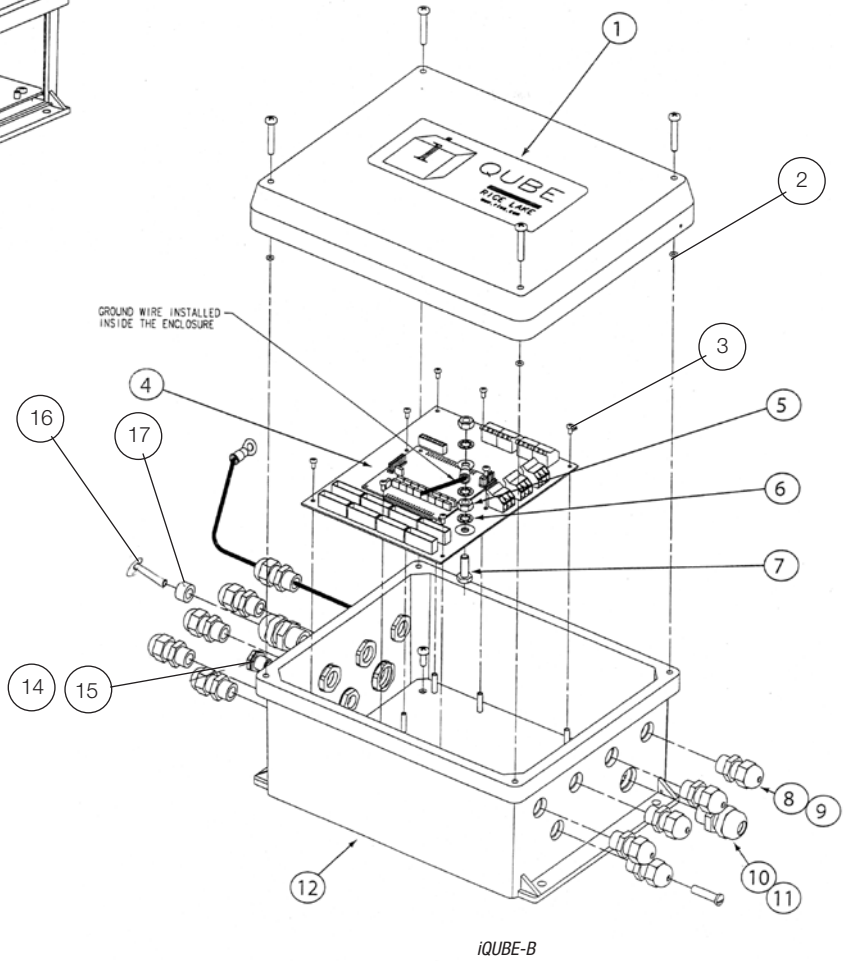
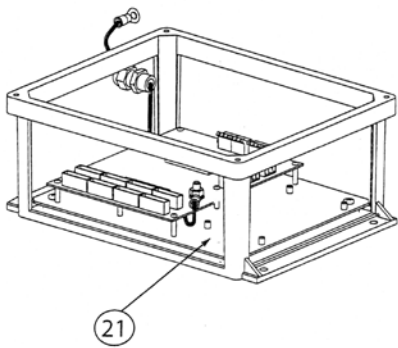
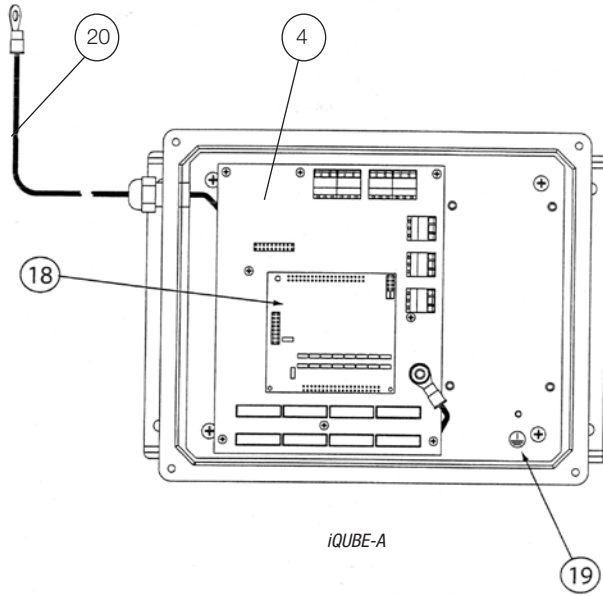
Ref#	Part#	Description	Price
	71027	Fuse F1, 2A time-lag, Wickmann TR5, type 374	Consult
	77224	Installation manual	Consult
	77925	Revolution III configuration software CD	Consult
	93021	iQUBE parts kit	Consult
	78476	Operating lever for connectors	Consult
	77531	Power supply	Consult
	87961	5-pin connector, screw terminals	Consult
	77143	Fiber optic board, RX/TX, installed in iQUBE	Consult
	77788	Fiber optic board, RX/TX, installed in 920i indicator	Consult
2	81268	O-ring (4)	Consult
3	14822	Machine screws, 4-40 NC x 1/2	Consult
5	14637	Nuts (for power ground), 1/4-20 NC	Consult
6	31546	1/4 in internal tooth lock washers (for power ground)	Consult
7	14729	Bolt (for power ground), 1/4-20 NC x 3/4 hex head	Consult
8	15655	Cable grip, 3/8 NPT	Consult
9	15656	Lock nut, 3/8 NPT	Consult
10	15628	Cord-grips, 1/2 in NPT	Consult
11	15630	Lock nuts, 1/2 in NPT	Consult
12	91785	iQUBE enclosure	Consult
14	88734	Nut, breather vent	Consult
15	88733	Vent, breather	Consult
16	19538	Slotted back post	Consult
17	15665	Reducing gland	Consult
20	70698	Wire assembly, ground	Consult
21	91896	Mounting panel assembly	Consult

(See Diagrams iQUBE-A & iQUBE-B)



Junction Boxes

iQUBE® Digital Diagnostic Junction Boxes



Medical Scales

TABLE OF CONTENTS

PLATFORM/FITNESS SCALE	212
MECHANICAL PHYSICIAN SCALES	213
MEDICAL INDICATOR, TITANIUM	214
150-10-7	215
<i>Floor Level</i>	
150-10-5, 150-10-6	216
350-10-7, 350-10-8	217
550-10-1	218
350-10-4	219
350-10-2, 350-10-3	220
250-10-4	221
250-10-2	222
260-10-1	223
DIGITAL BABY SCALE	224
MECHANICAL CHAIR SCALE	225
PORTABLE BARIATRIC/WHEELCHAIR SCALE	226
<i>Dual Ramp</i>	
PORTABLE BARIATRIC/WHEELCHAIR SCALE	228
<i>Single Ramp</i>	
BARIATRIC/WHEELCHAIR SCALE	230
<i>Beam and Column Assembly</i>	
DIALYSIS SCALE	231
MEDICAL INDICATOR, PLATINUM	232

Platform/Fitness Scale



*Legal for Trade, floor level
Model 140-10-7N*

Part Number/Price

Part#	Description	Price
125406	Load cell	Consult
131089	Indicator battery board (model 140-10-7N)	Consult
131090	Display/CPU board	Consult
102503	Indicator keypad	Consult
102506	Sealed lead acid battery	Consult
102507	AC adaptor, 110VAC	Consult
131581	Load cell, NTEP Certified	Consult
106881	Indicator with tilt stand	Consult

Mechanical Physician Scales

Part Number/Price

Part#	Description	Price
109637	Height rod (RL-MPS, RL-MPS-10)	Consult
116380	Scale base foot (set of 5)	Consult
116381	Pillar screw with lock washer (set of 8)	Consult
175418	Black plastic cover for scale base	Consult
169569	Counterpoise set, one fine and one coarse weight	Consult



Model RL-MPS, RL-MPS-10

Medical Scales

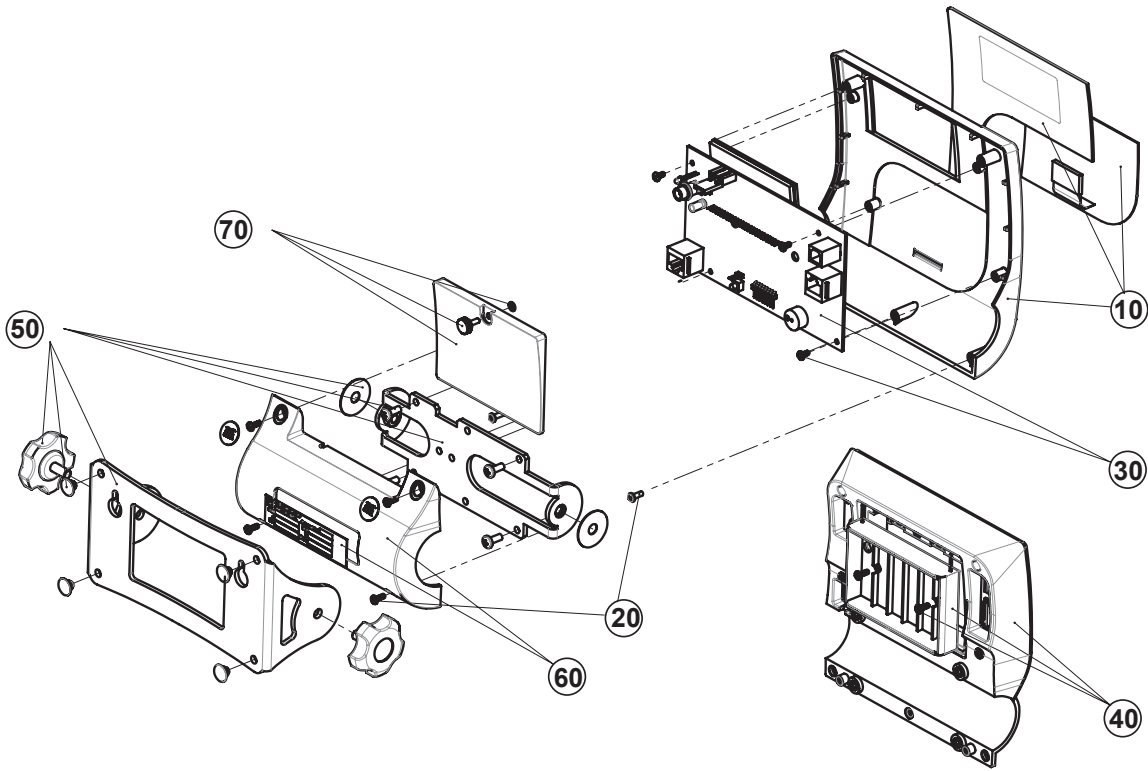
Medical Indicator, Titanium



Part Number/Price

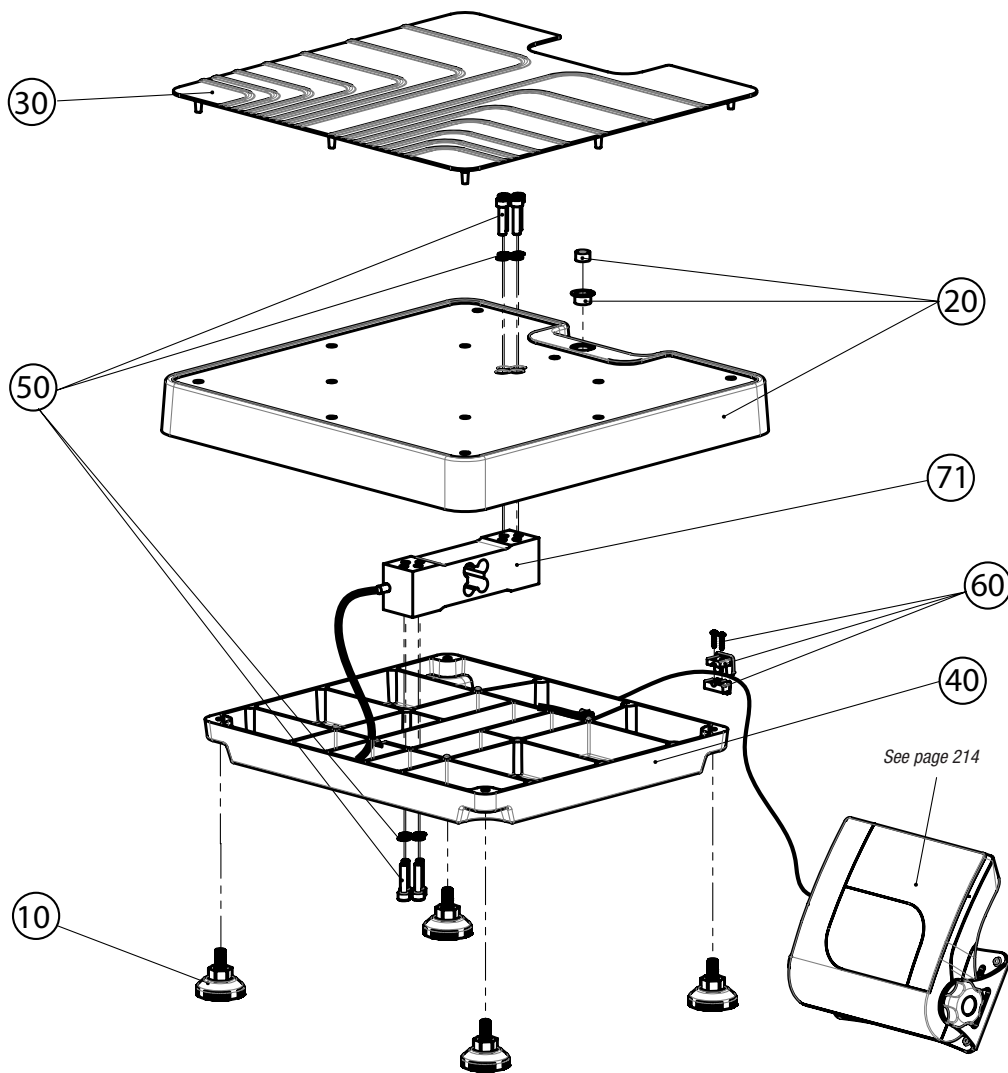
Ref#	Part#	Description	Price
	131583	Indicator	Consult
10	164239	Front, 150 indicator kit	Consult
20	164240	Hardware	Consult
30	164241	Circuit	Consult
	204810	Circuit with Bluetooth 2.0	Consult
	204811	Circuit with BLE	Consult
40	164242	Back panel	Consult
50	164243	Table	Consult
60	164247	Back cover	Consult
70	164248	Cover	Consult
	133077	Power supply, A/C adapter	Consult

Medical Scales



Part Number/Price

Ref#	Part#	Description	Price
10	164299	Feet (4)	Consult
20	164320	Platform without mat	Consult
30	164301	Mat	Consult
40	164321	Base	Consult
50	164304	Hardware, kit for load cell	Consult
60	164322	Cable clamp	Consult
71	164323	Load cell	Consult



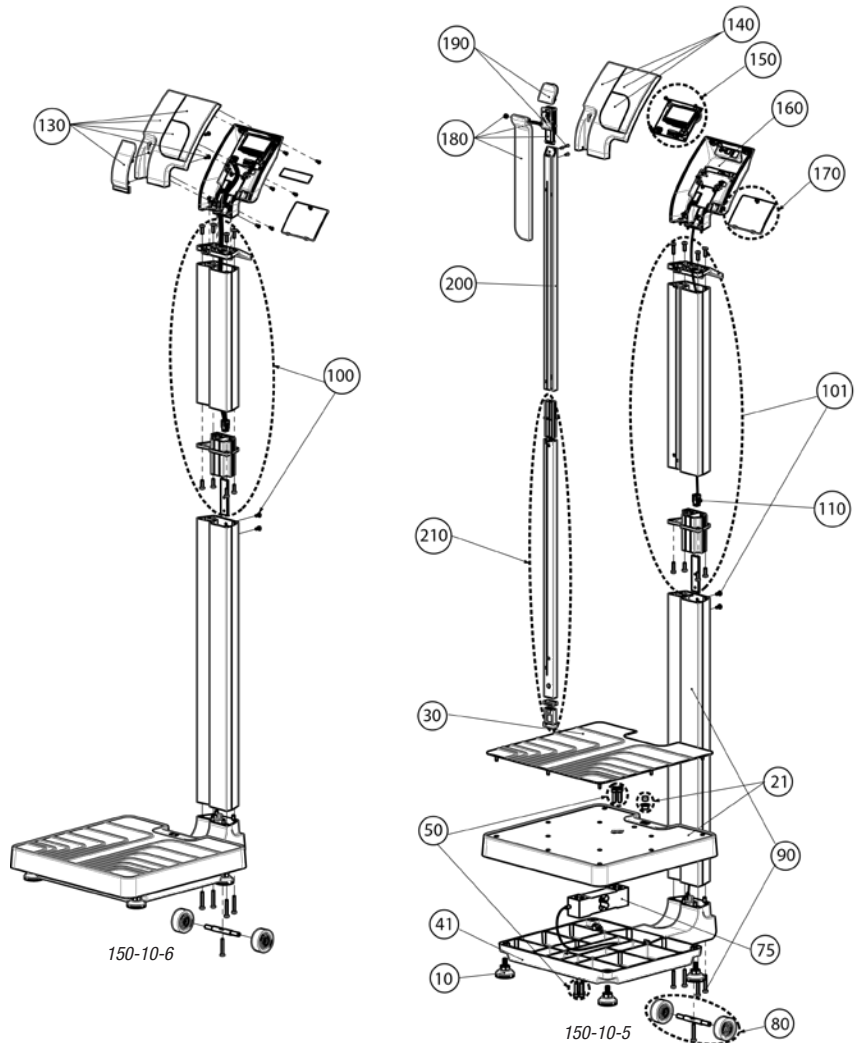
Medical Scales

MEDICAL SCALES

150-10-5, 150-10-6

Part Number/Price

Ref#	Part#	Description	Price
10	164299	Feet	Consult
21	164300	Platform	Consult
30	164301	Mat	Consult
41	164303	Base	Consult
50	164304	Hardware	Consult
75	164306	Load cell	Consult
80	164305	Wheels	Consult
90	164307	Pillar	Consult
100	164308	Pillar, top	Consult
101	164309	Pillar, top	Consult
110	164310	Cable	Consult
130	164311	Display	Consult
140	164312	Display	Consult
150	164313	PCB	Consult
	207939	PCB with Bluetooth 2.0	Consult
	207548	PCB with BLE	Consult
160	164314	Back cover	Consult
170	164315	Battery	Consult
180	164316	Height rod	Consult
190	164317	Height rod	Consult
200	164318	Height rod	Consult
210	164319	Height rod	Consult



Medical Scales

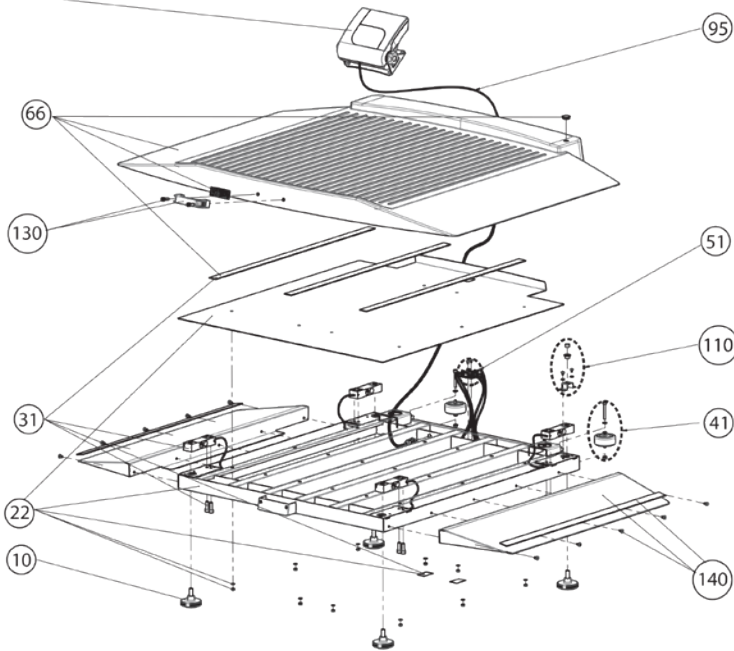
MEDICAL SCALES
350-10-7, 350-10-8

Part Number/Price

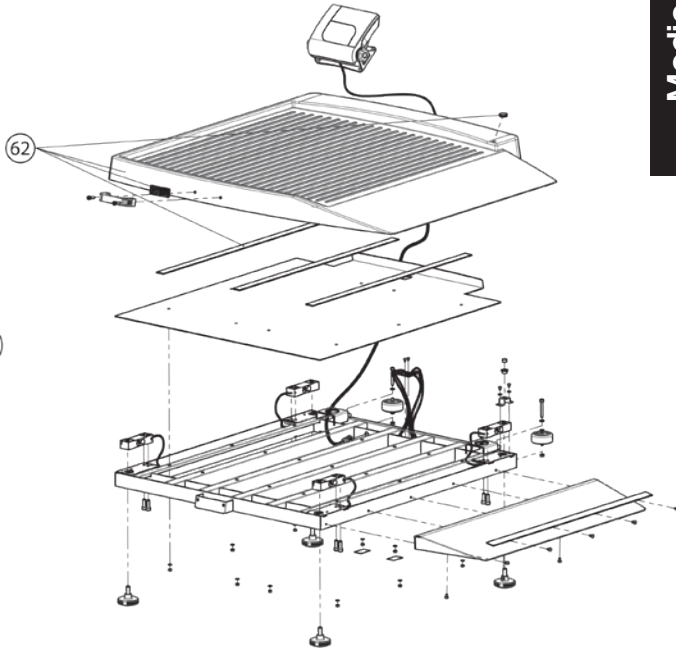
Ref#	Part#	Description	Price
10	164516	Feet	Consult
22	164518	Base	Consult
31	164521	Load cell	Consult
41	164534	Wheel	Consult
51	164578	Junction box	Consult
62	165029	Platform	Consult
66	165063	Platform	Consult
95	165072	Cable	Consult
110	165086	Spirit level assembly	Consult
130	165089	Carry handle	Consult
140	165090	Ramp	Consult



See page 214



350-10-8



350-10-7

Medical Scales

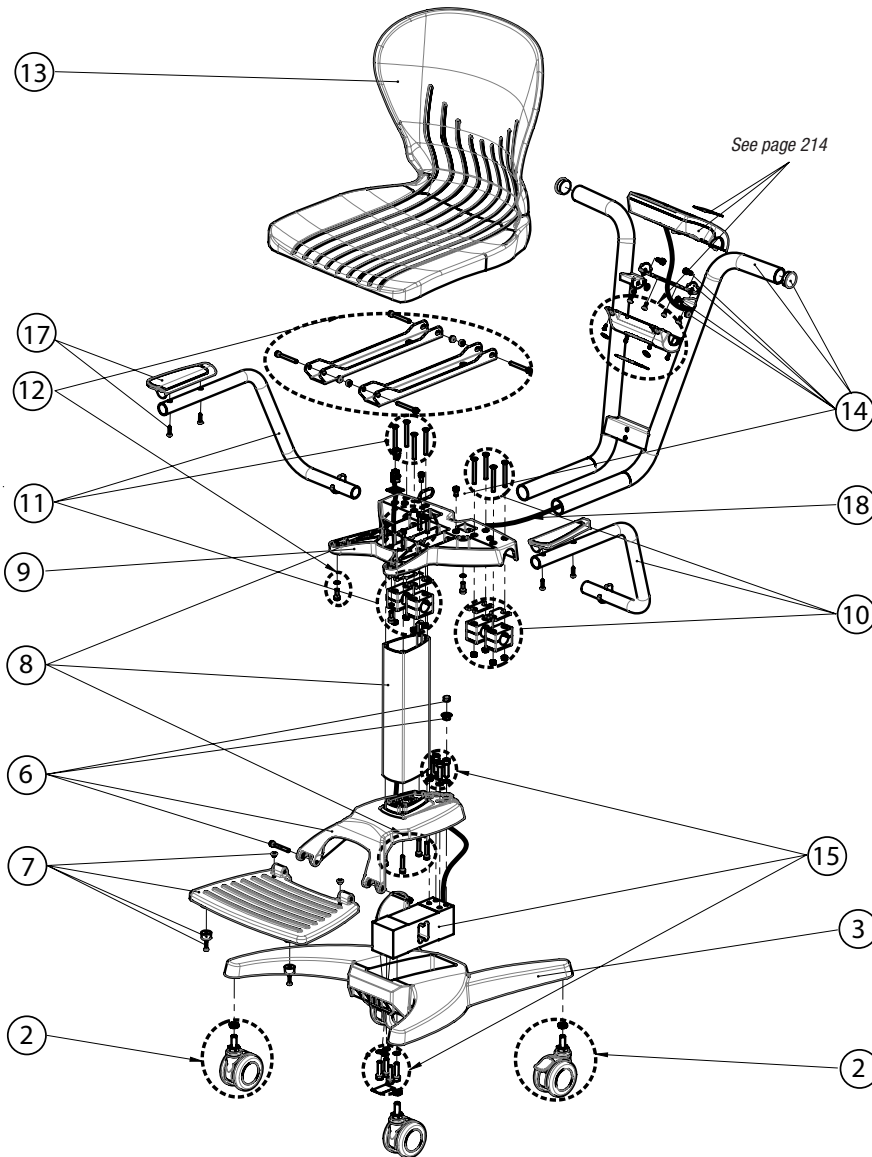
MEDICAL SCALES
550-10-1

Part Number/Price

Ref#	Part#	Description	Price
2	164326	Castor	Consult
3	164327	Base	Consult
6	164328	Base	Consult
7	164329	Footrest	Consult
8	164330	Base	Consult
9	164331	Adapter	Consult
10	164332	Left arm	Consult
11	164333	Right arm	Consult
12	164334	Bracket	Consult
13	164324	Seat	Consult
14	164335	Handle	Consult
15	164336	Load cell and mounting screws	Consult
17	164337	Handles	Consult
18	164338	Cable	Consult

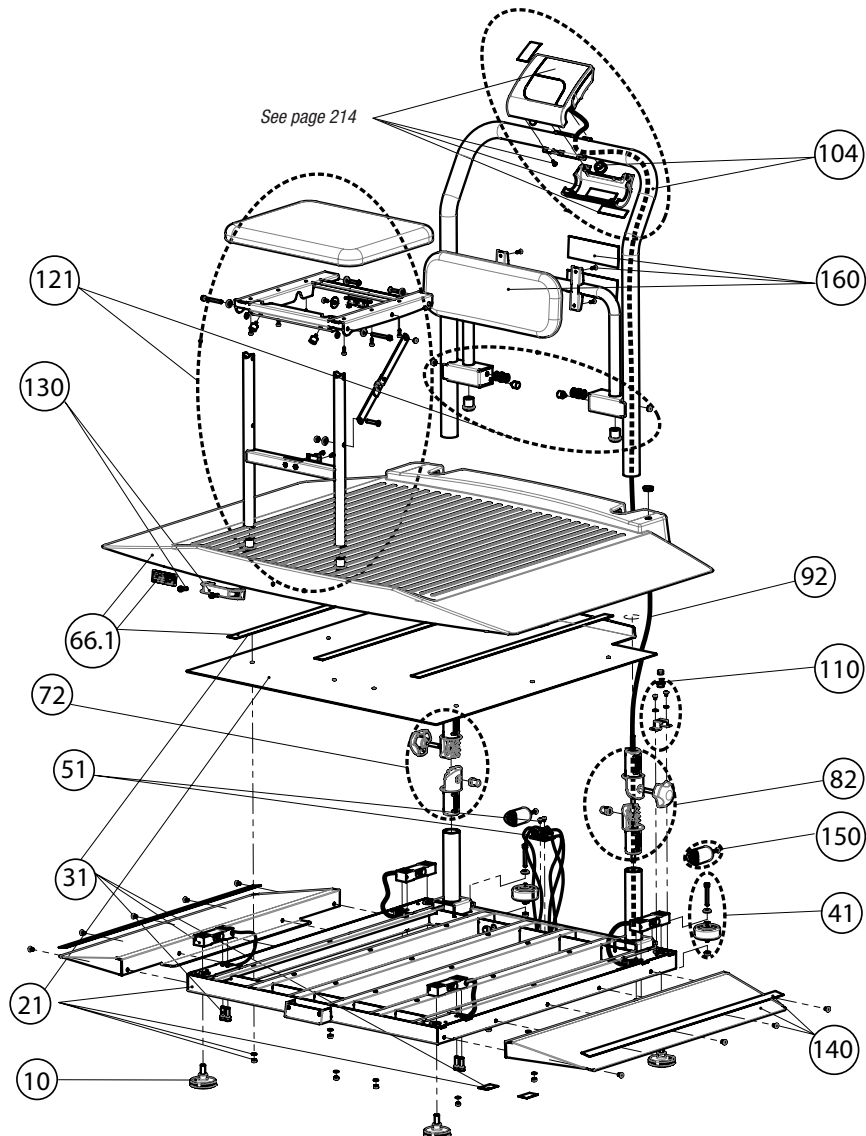


Medical Scales



Part Number/Price

Ref#	Part#	Description	Price
10	164516	Feet	Consult
21	164518	Base	Consult
31	164521	Load cell	Consult
41	164534	Wheel	Consult
51	164578	Junction box	Consult
66.1	165064	Platform	Consult
72	165066	Joint	Consult
82	165069	Joint	Consult
	102636	Circular handle for hinge joint	Consult
92	165071	Cable	Consult
104	165085	Handrail kit	Consult
110	165086	Spirit level assembly	Consult
121	165088	Seat kit	Consult
130	165089	Carry handle	Consult
140	165090	Ramp	Consult
150	165091	Rubber stop	Consult
160	165092	Back seat	Consult



Medical Scales

MEDICAL SCALES

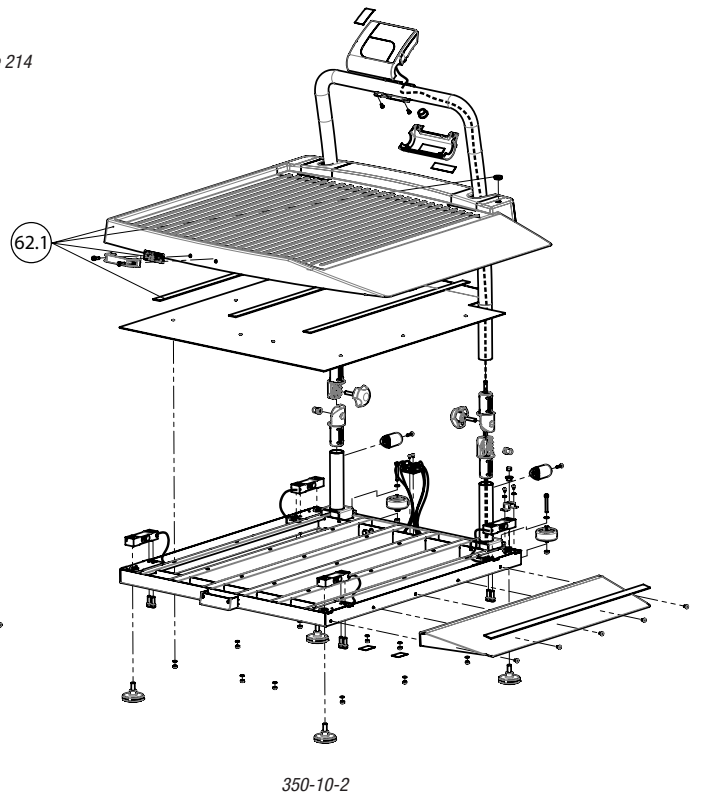
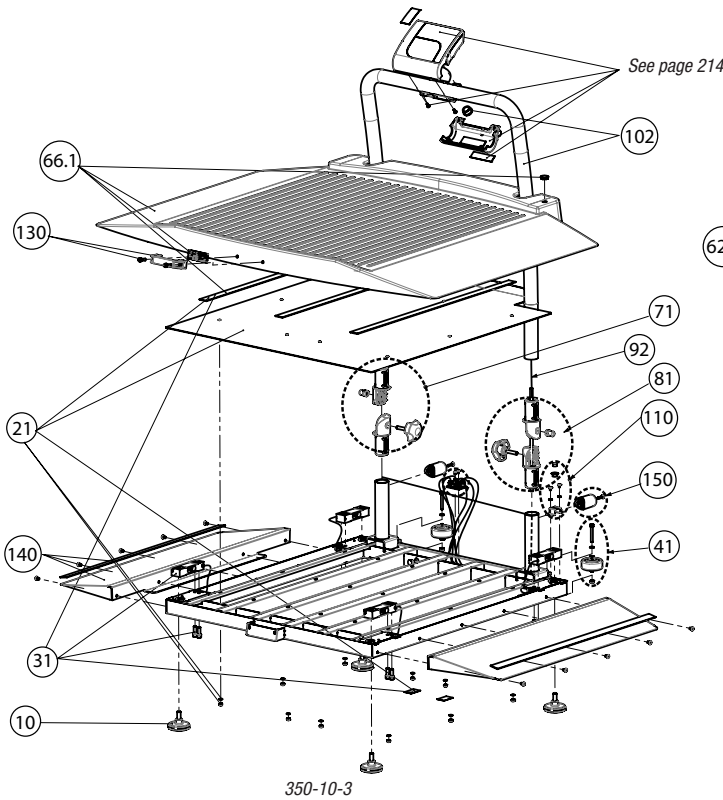
350-10-2, 350-10-3



Part Number/Price

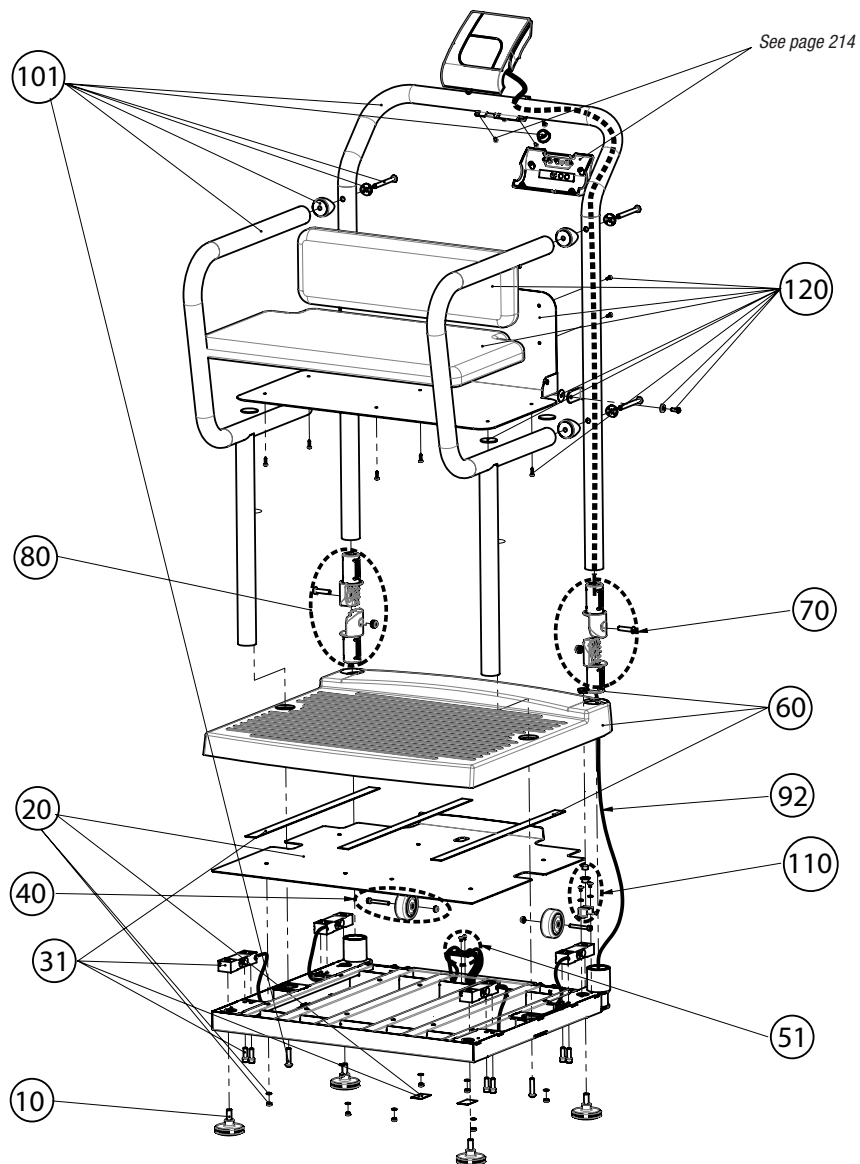
Ref#	Part#	Description	Price
10	164516	Feet	Consult
21	164518	Base	Consult
31	164521	Load cell	Consult
41	164534	Wheel	Consult
51	164578	Junction box	Consult
62.1	165030	Platform	Consult
66.1	165064	Platform	Consult
71	165066	Right joint	Consult
81	165069	Left joint	Consult
	102636	Circular handle for hinge joint	Consult
92	165071	Cable	Consult
102	165084	Handrail kit	Consult
110	165086	Spirit level assembly	Consult
130	165089	Carry handle	Consult
140	165090	Ramp stop	Consult
150	165091	Rubber stop	Consult

Medical Scales



Part Number/Price

Ref#	Part#	Description	Price
10	164516	Feet	Consult
20	164517	Base	Consult
31	164521	Load cell	Consult
40	164527	Wheel	Consult
51	164578	Junction box	Consult
60	165028	Platform	Consult platform</td
70	165065	Joint	Consult
80	165068	Joint	Consult
92	165071	Cable	Consult
101	165081	Handrail kit	Consult
110	165086	Spirit level assembly	Consult
120	165087	Seat kit	Consult



Medical Scales

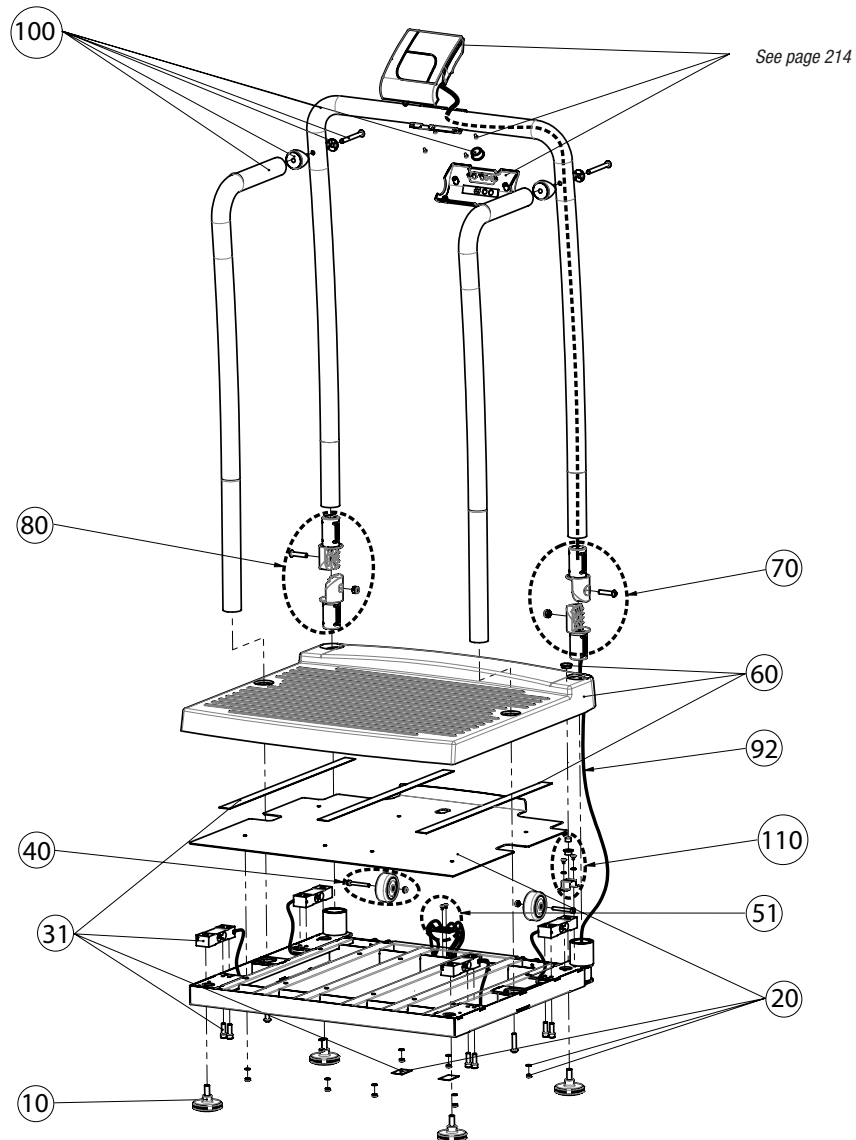
MEDICAL SCALES
250-10-2



Part Number/Price

Ref#	Part#	Description	Price
10	164516	Feet	Consult
20	164517	Base	Consult
31	164521	Load cell	Consult
40	164527	Wheel	Consult
51	164578	Junction box	Consult
60	165028	Platform	Consult
70	165065	Joint	Consult
80	165068	Joint	Consult
92	165071	Cable	Consult
100	165080	Handrail kit	Consult
110	165086	Spirit level assembly	Consult

Medical Scales



MEDICAL SCALES
260-10-1

Part Number/Price

Ref#	Part#	Description	Price
	195888	Wheels (set of 2)	Consult



Medical Scales

MEDICAL SCALES

Digital Baby Scale



Model RL-DBS/RL-DBS-2

Part Number/Price

Part#	Description	Price
112692	120VAC adaptor	Consult
112695	230VAC adaptor	Consult
121333	Battery cover	Consult

Mechanical Chair Scale

Part Number/Price

Part#	Description	Price
116392	Front wheel, caster (set of 2)	Consult
116393	Back wheel, caster (set of 2)	Consult
116394	Left arm	Consult
116395	Right arm	Consult

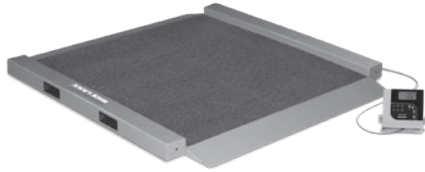


Model RL-MCS

MEDICAL SCALES

Portable Bariatric/Wheelchair Scale

Dual Ramp



Portable Bariatric/Wheelchair Scale Dual Ramp
Model RL-350-6

Part Number/Price

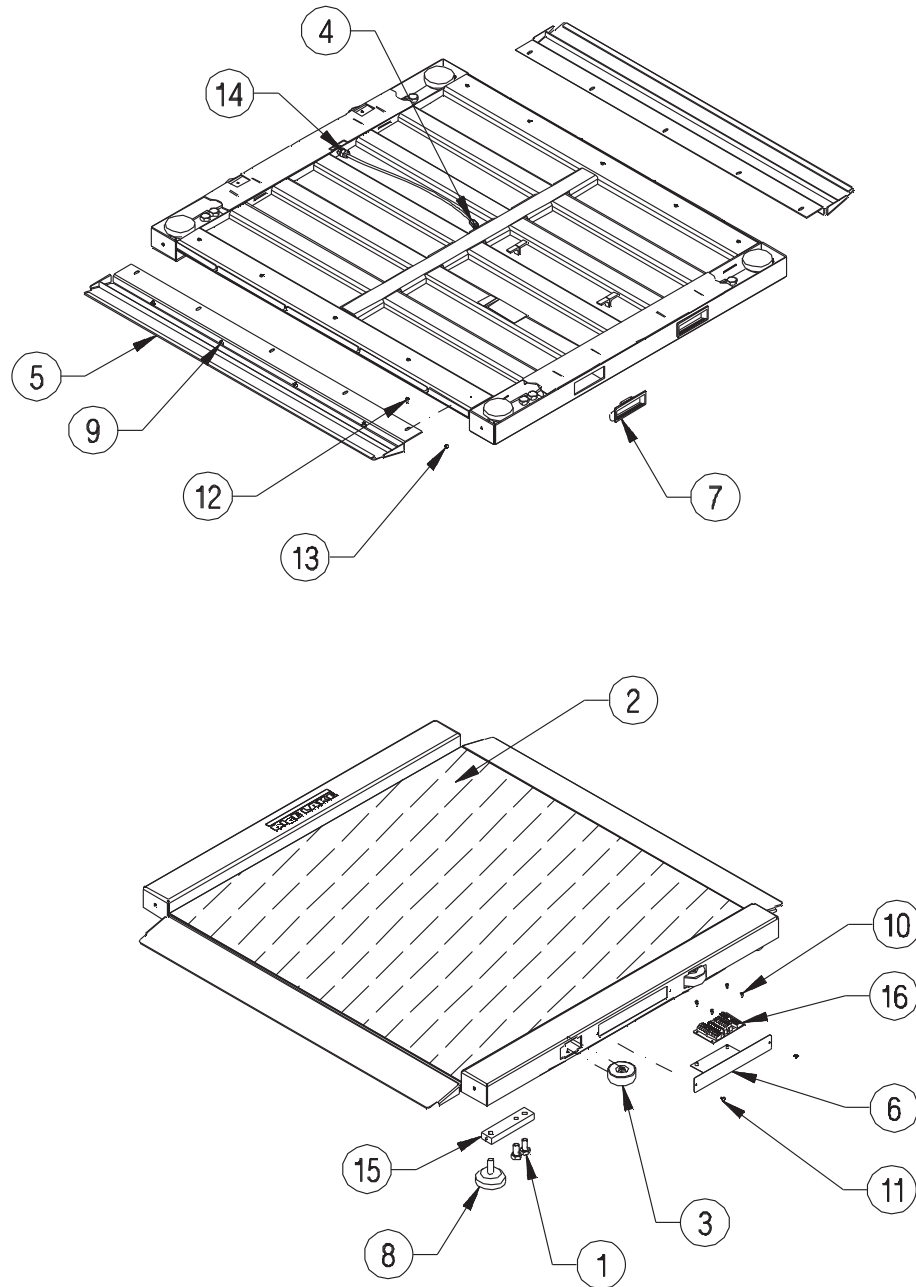
Ref#	Part#	Description	Price
	100719	RS-232 serial cable	Consult
3	105373	Wheel kit (includes wheel, torque nut, screw, scotch mate hoops)	Consult
4	106953	Cable assembly	Consult
5	113030	Ramp	Consult
6	113031	Junction box cover	Consult
7	113033	Handle insert	Consult
8	114614	Foot	Consult
9	14626	Nut, kep 8-32NC hex	Consult
10	14839	Screw, mach 6-32NC x 1/4	Consult
11	14857	Screw, mach 8-32NC x 1/4	Consult
12	14862	Screw, mach 8-32NC x 3/8	Consult
14	58983	Cord grip	Consult
15	84838	Load cell	Consult
16	88958	Junction box board	Consult

Note: See indicator parts on page 214

(See Diagram Portable Bariatric/Wheelchair Scale Dual Ramp)

Portable Bariatric/Wheelchair Scale

Dual Ramp



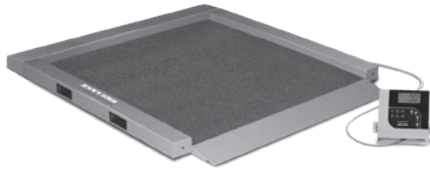
Portable Bariatric/Wheelchair Scale Dual Ramp

Medical Scales

MEDICAL SCALES

Portable Bariatric/Wheelchair Scale

Single Ramp



Portable Bariatric/Wheelchair Scale
Single Ramp with Wheel Stop
Model RL-350-5

Part Number/Price

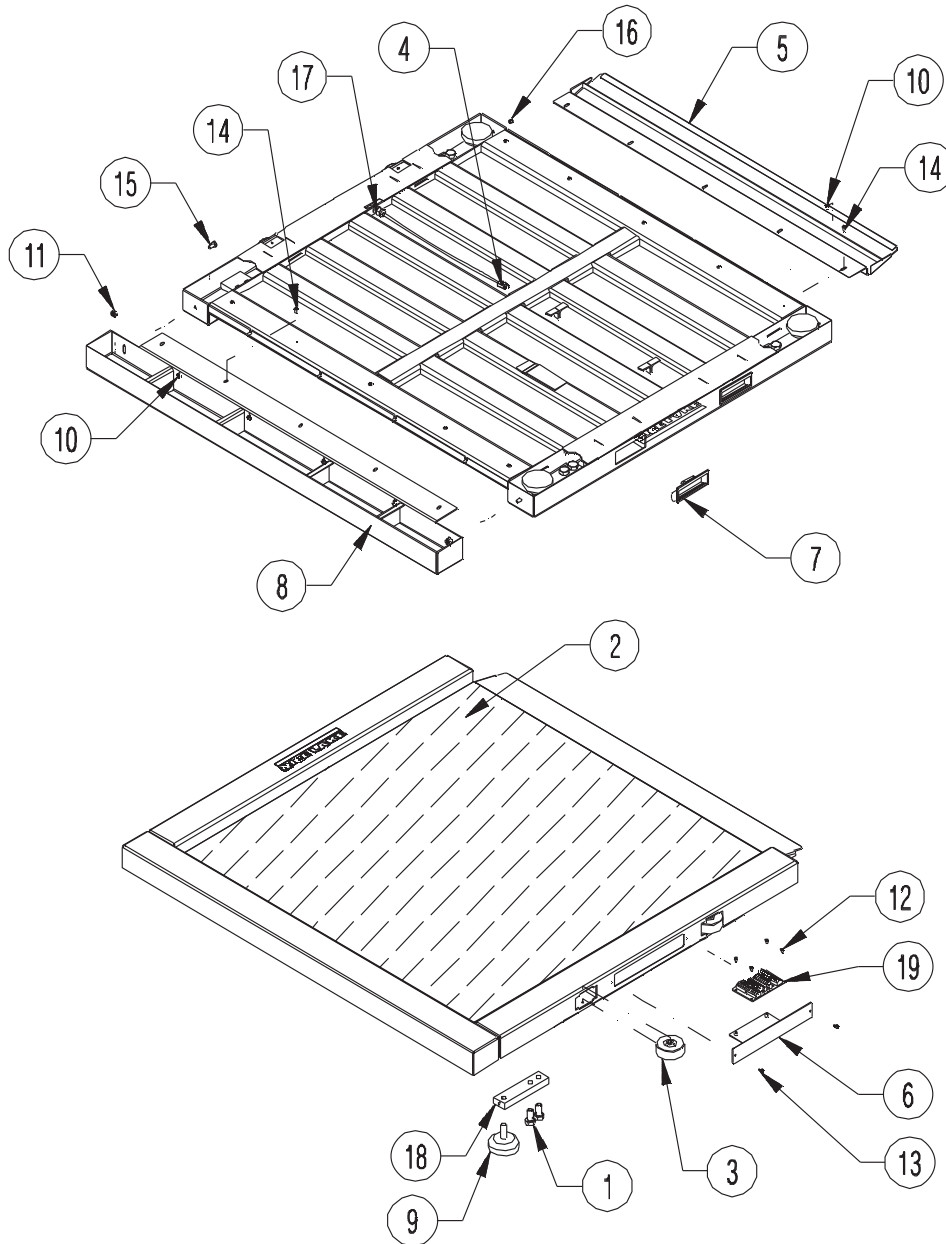
Ref#	Part#	Description	Price
	100719	RS-232 serial cable	Consult
3	105373	Wheel kit (includes wheel, torque nut, screw, scotch mate hoops)	Consult
4	106953	Cable assembly	Consult
5	113030	Ramp	Consult
6	113031	Junction box cover	Consult
7	113033	Handle insert	Consult
8	114413	Wheelchair stop	Consult
9	114614	Foot	Consult
10	14626	Nut, kep 8-32NC hex	Consult
11	14635	Nut, lock 1/4-20NC hex	Consult
12	14839	Screw, mach 6-32NC x 1/4	Consult
13	14857	Screw, mach 8-32NC x 1/4	Consult
14	14862	Screw, mach 8-32NC x 3/8	Consult
15	14955	Screw, cap 1/4-20NC x 1/2	Consult
17	58983	Cord grip	Consult
18	84838	Load cell	Consult
19	88958	Junction box board	Consult

Note: See page 214 for indicator parts

(See Diagram Portable Bariatric/Wheelchair Scale Single Ramp)

Portable Bariatric/Wheelchair Scale

Single Ramp



Portable Bariatric/Wheelchair Scale Single Ramp

Bariatric/Wheelchair Scale

Beam and Column Assembly

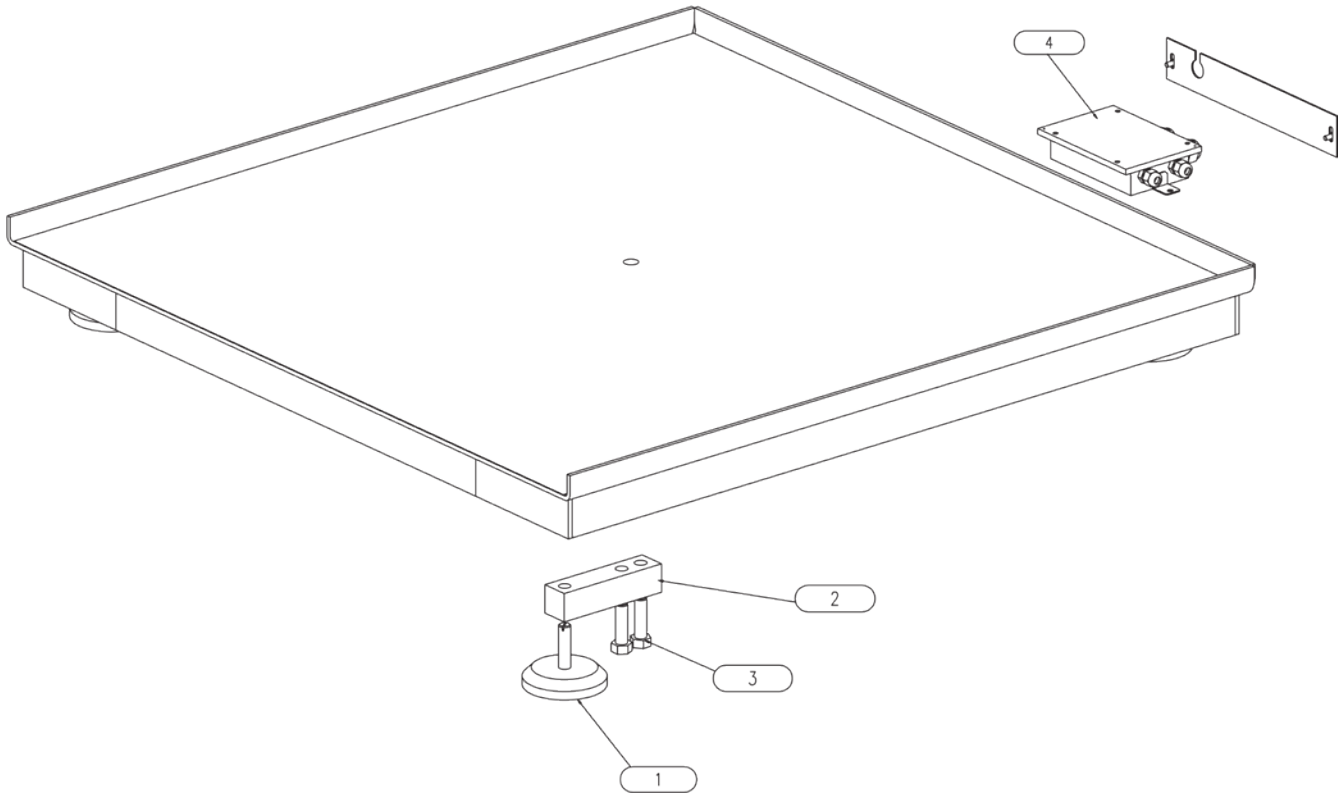


Bariatric/Wheelchair scale
Model SB-1150

Part Number/Price

Ref#	Part#	Description	Price
1	18756	Foot	Consult
2	21507	Load cell	Consult
3	30532	Load cell bolts	Consult
4	73428	Junction box	Consult
	106953	Cable, junction box to indicator	Consult
	100719	RS-232 serial cable	Consult

Note: See page 214 for indicator parts
(See Diagram Wheelchair-F)



Wheelchair-F

MEDICAL SCALES
Dialysis Scale

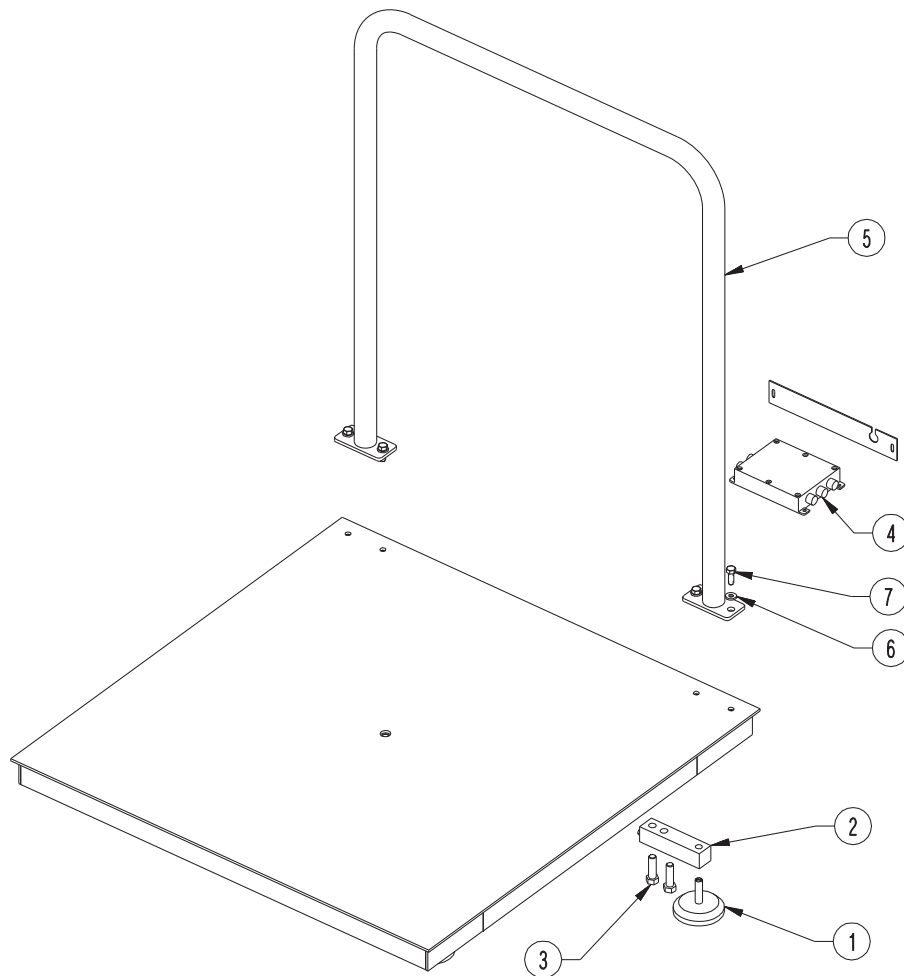
Part Number/Price

Ref#	Part#	Description	Price
1	18756	Foot	Consult
2	21507	Load cell	Consult
3	30532	Load cell bolts	Consult
4	73428	Junction box	Consult
5	107901	Handrail tube and base plate	Consult
6	107902	Washer	Consult
7	15019	Hex head screw	Consult
	106953	Cable, junction box to indicator	Consult
	100719	RS-232 serial cable	Consult

(See Diagram Dialysis-A)



Dialysis Scale
 Model SD-1150-WP



Dialysis-A

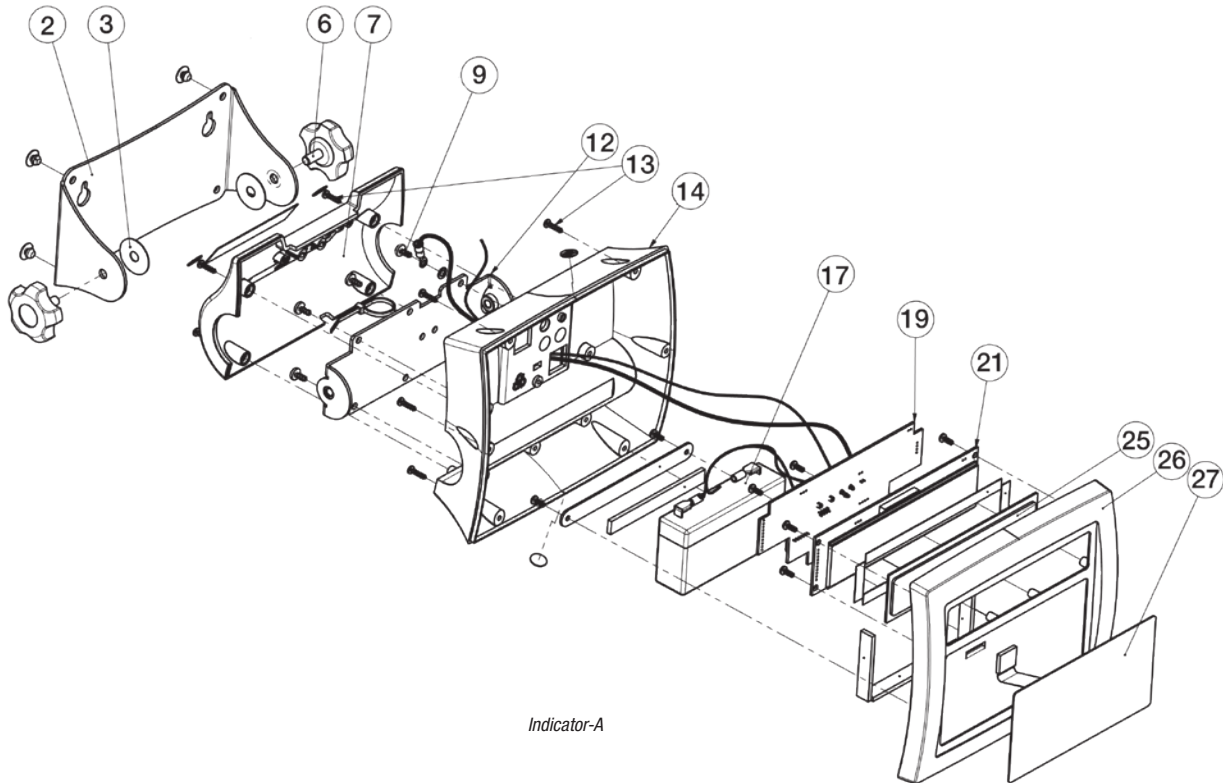
Medical Indicator, Platinum



Part Number/Price

Ref#	Part#	Description	Price
2	116382	Tilt stand	Consult
3	116384	Tilt stand washer	Consult
6	116383	Tilt stand knob	Consult
9	102519	Pan head screw	Consult
13	102519	Pan head screw	Consult
14	105378	Indicator house	Consult
17	102506	Sealed lead acid battery	Consult
19	102505	Indicator battery board	Consult
19	102505	Indicator battery board (model 140-10-7N)	Consult
21	102504	Display/CPU board	Consult
25	116385	Indicator lens	Consult
26	105379	Indicator front cover	Consult
27	102503	Indicator keypad	Consult
	114582	Jumper	Consult

(See Diagram Indicator-A)



Indicator-A

Portable Vehicle Scales

TABLE OF CONTENTS

LOAD RANGER	234
<i>Scale</i>	
LOAD RANGER	236
<i>Indicator</i>	

Load Ranger

Scale



RF-MD



RF-WD

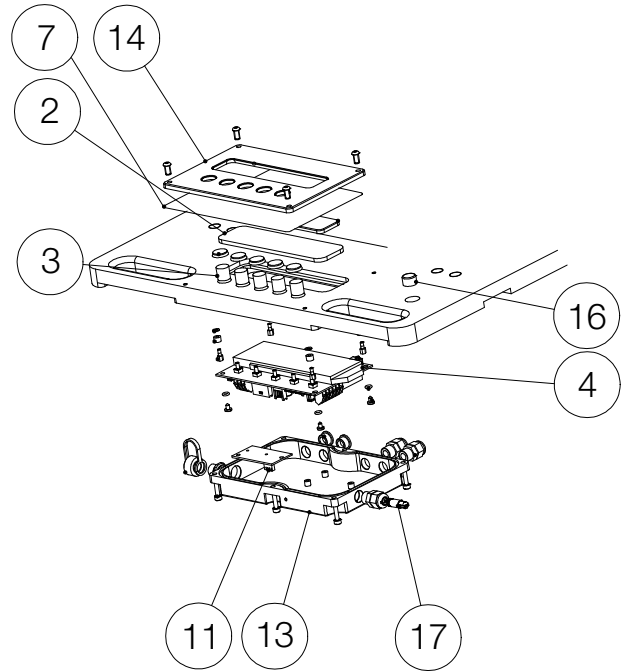
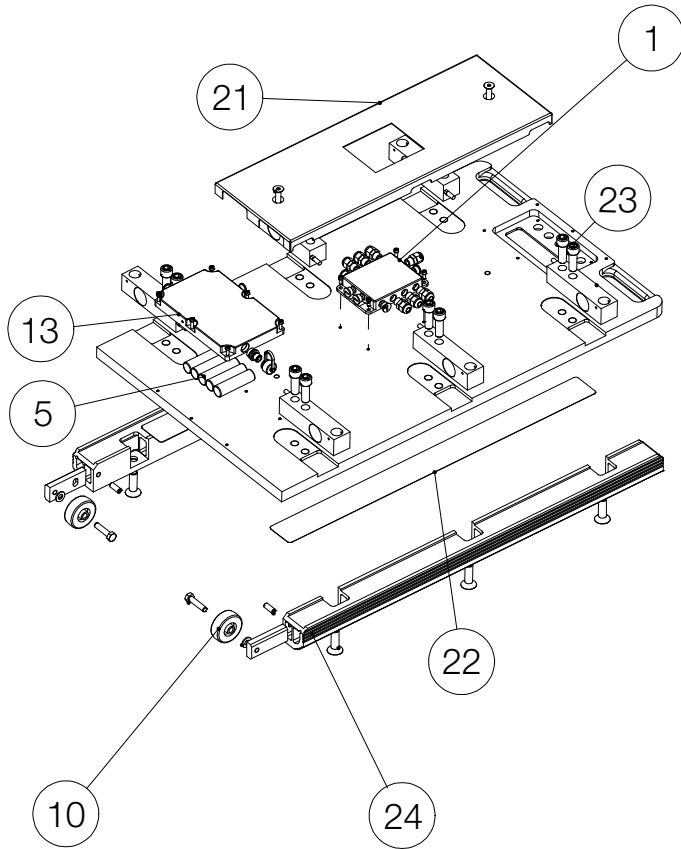


RF-XWD

Part Number/Price

Ref#	Part#	Description	Price
1	192596	Junction box enclosure	Consult
2	192607	Protective display glass	Consult
3	192608	Extension keys (kit x 5) for RF-XWD	Consult
3	192624	Extension keys (kit x 5) for RF-MD/RF-WD	Consult
4	192609	CPU board	Consult
5	188482	NIMH battery pack	Consult
7	192616	Adhesive film	Consult
10	192605	Wheel	Consult
11	192610	Bluetooth module	Consult
13	192614	Protection for board	Consult
14	192615	Protection for keys	Consult
16	192597	Bubble level	Consult
17	200815	Antenna	Consult
	200816	Cable to connect antenna to Bluetooth module	Consult
	188911	Battery charger (230VAC EU plug version)	Consult
	185064	110VAC version with US plug	Consult
	Consult	Load cell terminal strip	Consult
RF-MD			
21	192595	Protection plate	Consult
22	192600	Adhesive strip	Consult
	183796	1,000 kg load cell (used on 3,000 lb wheel pad only)	Consult
	183799	2,500 kg load cell (used on 6,500 lb, 13,000 lb, 22,000 lb, 33,000 lb wheel pads only)	Consult
23	192602	Load cell mounting hardware	Consult
24	192598	Ramp with gripping rubber	Consult
RF-WD			
21	192618	Protection plate	Consult
22	192601	Adhesive strip	Consult
	183799	2,500 kg load cell (used on 6,500 lb, 13,000 lb, 22,000 lb, 33,000 lb wheel pads only)	Consult
23	192603	Load cell mounting hardware	Consult
24	192599	Ramp with gripping rubber	Consult
RF-XWD			
21	192622	Protection plate	Consult
22	192625	Adhesive strip	Consult
	183799	2,500 kg load cell (used on 6,500 lb, 13,000 lb, 22,000 lb, 33,000 lb wheel pads only)	Consult
23	192604	Load cell mounting hardware	Consult
24	192621	Ramp with gripping rubber	Consult

Load Ranger Scale



PORTABLE VEHICLE SCALES

Load Ranger

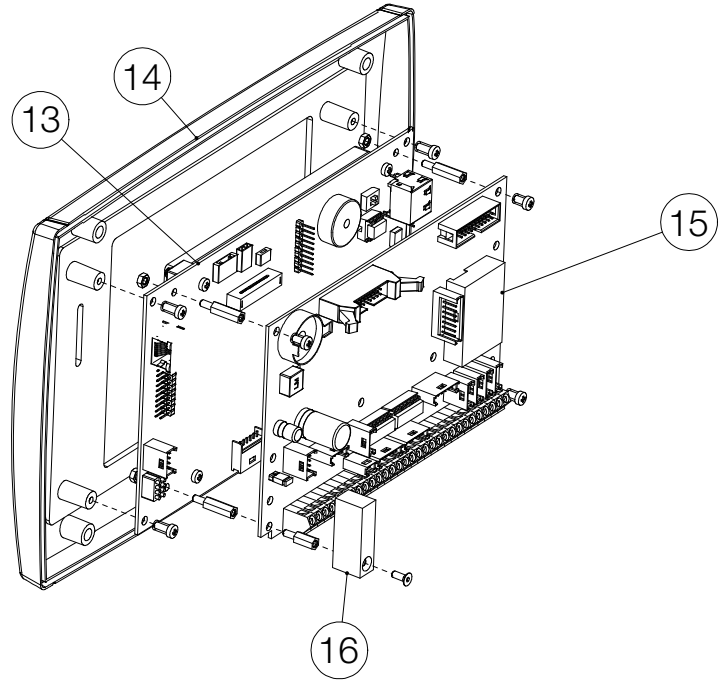
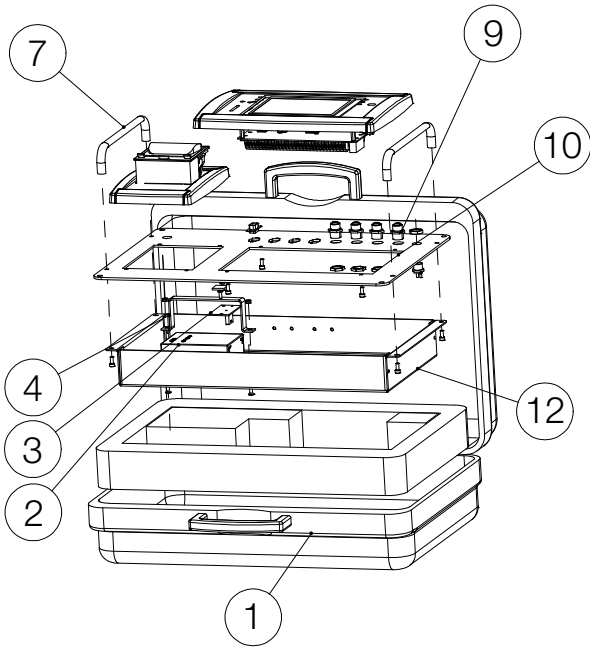
Indicator



Part Number/Price

Ref#	Part#	Description	Price
1	192584	Carry case	Consult
2	192580	Built-in battery, 6V, 4.5Ah	Consult
3	193554	Built-in bluetooth interface	Consult
9	193555	Bluetooth board connector cable	Consult
4	192588	Fixing bracket for battery	Consult
7	192582	Aluminum handle	Consult
10	192587	Front panel	Consult
12	192581	Galvanized case	Consult
13	192589	Display board	Consult
14	192590	Front panel	Consult
15	192585	CPU board	Consult
16	192586	Frame, jumper protection	Consult
NS	192591	AC Power Adapter 120-230 VAC	Consult

Load Ranger Indicator



Lined area for notes or calculations, consisting of multiple horizontal lines.

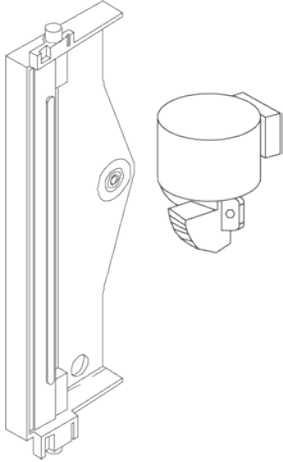
Printers / Keyboards

TABLE OF CONTENTS

TICKET PRINTERS	240
<i>Replacement Print Heads</i>	
BAR CODE LABEL PRINTERS	241
<i>Replacement Print Heads</i>	
TAPE AND TICKET PRINTER IMPACT RIBBONS	242
HONEYWELL	243
<i>Label Printers</i>	
HONEYWELL I-4206/I-4208/I-4308/I-4212/I-4212E	244
<i>Label Printers</i>	
EPSON®	245
OKIDATA	247
TICKETPRESS®	248
<i>Ticket Printer</i>	
RICE LAKE SP2200 TICKET PRINTER	250
<i>Base Assembly</i>	
RICE LAKE SP2200 TICKET PRINTER	252
<i>Mechanism Assembly</i>	
RICE LAKE SP2200 TICKET PRINTER	253
<i>Idler, Clutch, Sensor Assembly</i>	
RICE LAKE SP2200 TICKET PRINTER	254
<i>Paper Drive Assembly</i>	
RICE LAKE SP2200 TICKET PRINTER	255
<i>Print Head Assembly</i>	
RICE LAKE SP2200 TICKET PRINTER	256
<i>Switch Assembly</i>	
RICE LAKE	257
RICE LAKE SURVIVOR SST3®	259
STAR®	261
ZEBRA®	263

Ticket Printers

Replacement Print Heads



Part Number/Price

Part#	Description	Price
Epson®		
29535	TM290, TM-295	Consult
68726	TMU590 print mechanism	Consult
116659	TM-U590 printhead	Consult
118730	TM-U220 printhead	Consult
Rice Lake		
35347	SP2200	Consult
130510	Ticketpress	Consult
Star®		
72513	SP298	Consult

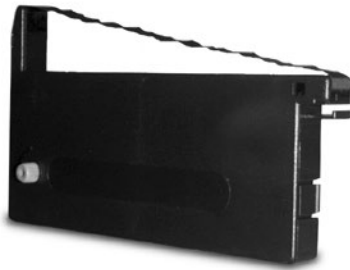
Bar Code Label Printers

Replacement Print Heads

Part Number/Price

Part#	Description	Price
Honeywell		
112517	E-4205e (203 dpi)	Consult
53939	I-Class (203 dpi)	Consult
131153	I-Class I-4212e Mark II (203 dpi)	Consult
210807	M-Class M-4210 (203 dpi)	Consult
96957	H-4212, (203 dpi)	Consult
103368	M-Class M-4206 (203 dpi)	Consult
Rice Lake		
107532	2 in printhead, RL-22DT	Consult
107531	4 in printhead, RL-42DT/TT	Consult
Star Consult Factory		
Zebra® (Eltron®)		
53034	LP2722/2622	Consult
78998	LP-2824, LP-2824 plus	Consult
78999	LP-2844	Consult
79000	TLP-2844	Consult
95375	S4M, 203061	Consult
111091	GK-420D (direct thermal)	Consult
161470	Printhead GK GX420T (203 dpi)	Consult
Godex		
150743	DT4	Consult
150746	G500	Consult

Tape and Ticket Printer Impact Ribbons



Don't see a ribbon or paper roll you need? Send us the manufacturer name and model of the printer and we will quickly email you a quotation.

Part Number/Price

Part#	Description	Price
Rice Lake		
20308	Black ink cartridge, SP2200 and SP2000	Consult
128031	Ink cartridge, Ticketpress	Consult
IDS-150A & IDS-152, Control logic 1200 CLC250		
20440	Purple ink ribbon	Consult
IDS-160, Control Logic 260		
20447	Purple ink ribbon	Consult
Epson® TM-U295		
29584	Purple ink cartridge	Consult
29583	Black ink cartridge	Consult
Epson® TM-U200, TM-U220 and TM-300		
31296	Purple ink cartridge	Consult
66499	Red/black ink cartridge	Consult
Epson® TM-U590		
68525	Purple ink cartridge	Consult
104145	Black ink cartridge	Consult
Citizen CBM-750		
41902	Red/black ribbon cartridge	Consult
Star		
69921	SP298, SP2320, SP2520, SP200, SP512, SP542 purple	Consult
20447	DP8340 purple	Consult
69920	SP300 Series purple	Consult
103728	SP712, 742 black	Consult
Hecon 543/DH4000/Toledo 8806A		
20447	Hecon 543 purple	Consult
20428	DH4000/Toledo 8806A purple (no guide)	Consult
Okidata Model 184 and 186		
20664	Black cartridge	Consult
Okidata Model 420		
132249	Ribbon black	Consult

Part Number/Price

Part#	Description	Synonym	Price
E-4203			
64802	Power supply auto-ranging 120-240V	DP050-20501-01	Consult
64792	Present sensor	OPT78-2313-01	Consult
E-4205e Mark II			
112517	Printhead	PHD20-2267-01	Consult
M-Class			
34911	E-ring 3/8 truarc 5133-37	10-0563-01	Consult
53923	Post, idler	DP012-2905-01	Consult
53929	Clutch assembly, ribbon rewind	15-2776-01	Consult
53936	Gear, spur, delrin, 24 teeth (same as below)	17-2860-01	Consult
53934	Bearing, flanged, 375IDx, 0750D (see below)	17-3028-01	Consult
210807	Printhead, 203 dpi, M-4210 only	DP020-2260-01	Consult
103368	M-4206		Consult
85201	Media sensor assembly		Consult
53948	Cable, flex, media sensor	DP032-2440-01	Consult
M-Class Mark II			
53923	Post, idler	DP012-2905-01	Consult
53929	Clutch assembly, ribbon rewind	DP015-2776-21	Consult
53934	Bearing, flanged .375 ID x .875 OD	DP017-3028-01	Consult
210807	Printhead, M-4206/M-4210	DP020-2260-01	Consult
53948	Cable, flex media sensor	DP032-2440-01	Consult
104972	Power supply	DP051-2357-00	Consult
104973	Front panel	DP051-2358-00	Consult
104975	Main board, M-4206, 4 MB	DP078-2720-01	Consult
104977	Graphics display M-4206, M-4210	DP078-2721-01	Consult
104976	Main board, M-4210, M-4308	DP078-2722-01	Consult
107162	Platen assembly	DP015-2847-01	Consult
53936	Gear spur delrin 24 teeth	DP017-2860-01	Consult
H-Class			
96957	H-4212 Printhead 203 dpi		Consult
Data MF2te			
117438	US Plug		Consult
117440	Swivel Mount		Consult
117441	Cord Right Angle 6 ft		Consult
117442	Cable Serial Coiled		Consult
117443	Battery		Consult
118455	Cable fuse box		Consult
118456	Cable USB		Consult



E-4203



E-4205e Mark II



M-Class



M-Class Mark II



Printers/Keyboards

HONEYWELL I-4206/I-4208/I-4308/I-4212/I-4212E

Label Printers



Part Number/Price

Part#	Description	Synonym	Price
53930	1.5 in Media hub assembly (I-4308 and I-4212)	15-2799-01	Consult
53934	Bearing, flanged, .375 ID x .875 OD	17-2310-01	Consult
53945	Cable assembly, ph data	32-2417-01	Consult
53944	Cable assembly, ph power	32-2416-01	Consult
72176	Cable, flex, front panel, long cable	32-2439-01	Consult
53948	Cable, flex, media sensor	32-2440-01	Consult
53929	Clutch assembly, ribbon	15-2776-21	Consult
67797	Cover, ribbon spool	12-2943-21	Consult
97367	Block, platen mounting	DP012-2894-01	Consult
34911	E-ring, 3/8 in truarc 5133-37	10-0563-01	Consult
53935	Gear spur delrin, 24 pitch, 48 teeth kit	DPR78-2772-01	Consult
53936	Gear spur delrin, 24 teeth	17-2860-01	Consult
53952	LCD module, char. 2 x 20 (control panel)	45-2013-01	Consult
131179	Main board (I-4212e) Mark II	DPR51-2480-00	Consult
53940	Media sensor assembly	24-2504-01	Consult
78291	Peel mechanism	DPT78-2444-01	Consult
53924	Platen roller assembly	15-2761-01	Consult
53923	Post idler	12-2905-01	Consult
53956	Power supply, CCA (I-4206/4208, I-4308, I-4212)	51-2300-00	Consult
53939	Print head, 203 dpi, dual connector (I-4206/4208, I-4212)	20-2181-01	Consult
131153	Print head, 203 dpi I-4212e Mark II	PDD20-2278-01	Consult
67797	Cover, ribbon spool	12-2943-01	Consult
53938	Spring, torsion (I-4308, I-4212)	17-2895-01	Consult
53941	Stepper motor assembly	DP078-2773-01 24-2505-01	Consult
53925	Take-up hub assembly	15-2764-01	Consult
53937	Timing belt	17-2879-01	Consult
85508	Brass drive roller gear, 14-tooth	12-3356-01	Consult
85510	Peel drive gear-platen	16-2890-01	Consult
112320	Media hub, 3 in adapter	DP016-2627-01	Consult
53920	3 in/1.5 in media supply hub	DPR78-2330-01	Consult
131179	Motherboard, I-4212e		Consult
131153	Printhead I-4212e (203 dpi)		Consult

Part Number/Price

Part#	Description	Price
TM-295/TM-U295/TM-29011 Ticket Printer		
29535	Print head TM-295, TM-290 II	Consult
23112	Power supply	Consult
29537	Sensor, TOF assembly	Consult
29538	Sensor, O assembly	Consult
35860	Motor assembly, paper drive	Consult
35861	Board, switch assembly	Consult
35862	CPU board, TM-295	Consult
45673	Fuse, 2 amp, 125V (ceramic)	Consult
162936	Keyboard overlay TM-U295	Consult
29584	Ribbon cartridge, purple	Consult
29583	Ribbon cartridge, black	Consult
34344	Operating manual, TM-295	Consult
TM-U220 Tape Printer		
23112	Power supply	Consult
36032	Mechanism assembly	Consult
36027	Interface, RS-232	Consult
31296	Ribbon cartridge, purple	Consult
66499	Ribbon cartridge, red/black	Consult
69916	Paper roll, 3 in x 150 ft, 1-ply, bond 1/2 in core 3 in O.D.	Consult
35667	Operating manual	Consult
118730	Printhead	Consult
118731	Overlay switch panel	Consult
118732	Switch paddle rocker	Consult
TM-U590 Ticket Printer		
68726	Print mechanism assembly	Consult
68525	Purple ink cartridge	Consult
104145	Black ink cartridge	Consult
23112	Power supply	Consult
45673	F2 2 amp pica fuse	Consult
36027	Interface card RS-232	Consult
116659	Printhead	Consult
118735	Circuit board	Consult
118734	Power switch	Consult
118736	Hinged rear ribbon cover	Consult
118733	Keypad overlay	Consult
165456	Spring slider	Consult



TM-295



TM-U220



TM-U590

GoDex



Part Number/Price

Part#	Description	Price
DT4		
150743	Printhead	Consult
162657	Platen Cover Right	Consult
162658	Platen Cover Left	Consult
G500		
150746	Printhead	Consult

Part Number/Price

Part#	Description	Price
184 & 186 Microline Printer		
34281	RS-232 board, input	Consult
20664	Ribbon cartridge, black	Consult
21208	Scale veil	Consult
320 & 420 Microline Printer		
20664	Replacement ribbon, black	Consult
22692	Gear ribbon drive assembly, 320	Consult
22703	Gear idler in feed, 51219001, 320	Consult
320/321/390/420 RS-232 Boards		
20239	RS-232, Rev. H0 and lower	Consult



184 & 186



320 & 420

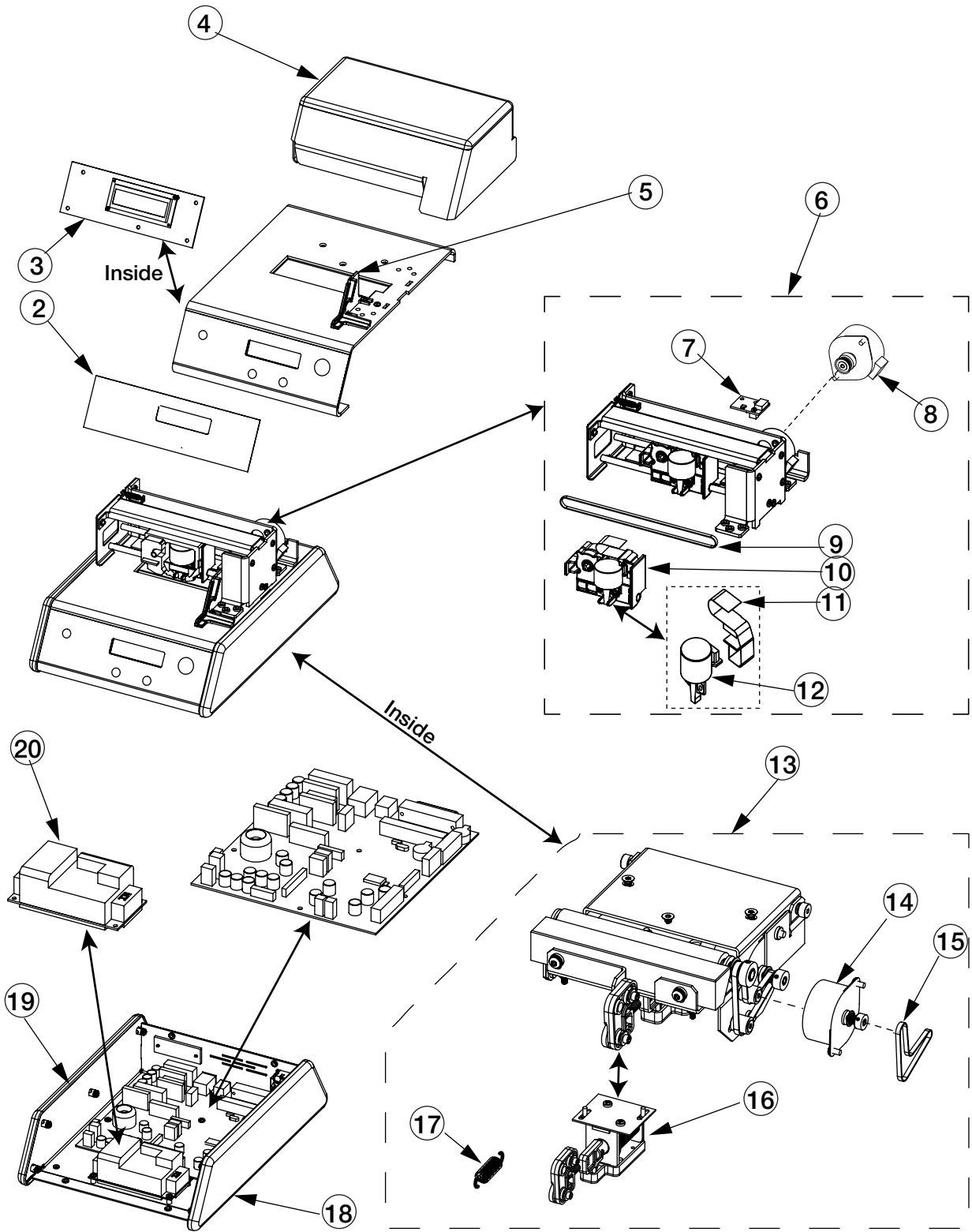
TicketPress®
Ticket Printer



Discontinued

Part Number/Price

Ref #	Part#	Description	Price
Accessories			
	128030	RS-422 interface, TicketPress	Consult
	128031	Ribbon, TicketPress, black	Consult
Major Components			
2	130514	Overlay, control panel, TP	Consult
5	130518	Paper guide, TP	Consult
8	130509	Carriage motor, TP	Consult
9	130516	Belt, carriage drive, TP	Consult
11	130515	Cable, printhead, TP	Consult
12	130510	Printhead, TP	Consult
14	130506	Paper motor, TP	Consult
15	130513	Belt, paper drive, TP	Consult
16	130508	Paper drive solenoid, TP	Consult
17	130517	Spring extension, TP	Consult
18	130511	End cap right, TP	Consult
19	130512	End cap left, TP	Consult
20	130507	Power supply 24V, TP	Consult
	130519	1.6A fuse slow 250 VAC, TP	Consult
	130520	Battery, main board memory backup, TP	Consult
<i>Major Assemblies - Some of these are offered for repair convenience, and embody one or more high value components from Service Component list</i>			
3	130527	Control panel, TP	Consult
4	130523	Cowl, TP	Consult
6	130521	Print mechanism, TP	Consult
7	130526	Home paper sensor, TP	Consult
10	130522	Carriage assembly, TP	Consult
13	130524	Paper drive assembly, TP	Consult



Printers/Keyboards

Rice Lake SP2200 Ticket Printer

Base Assembly



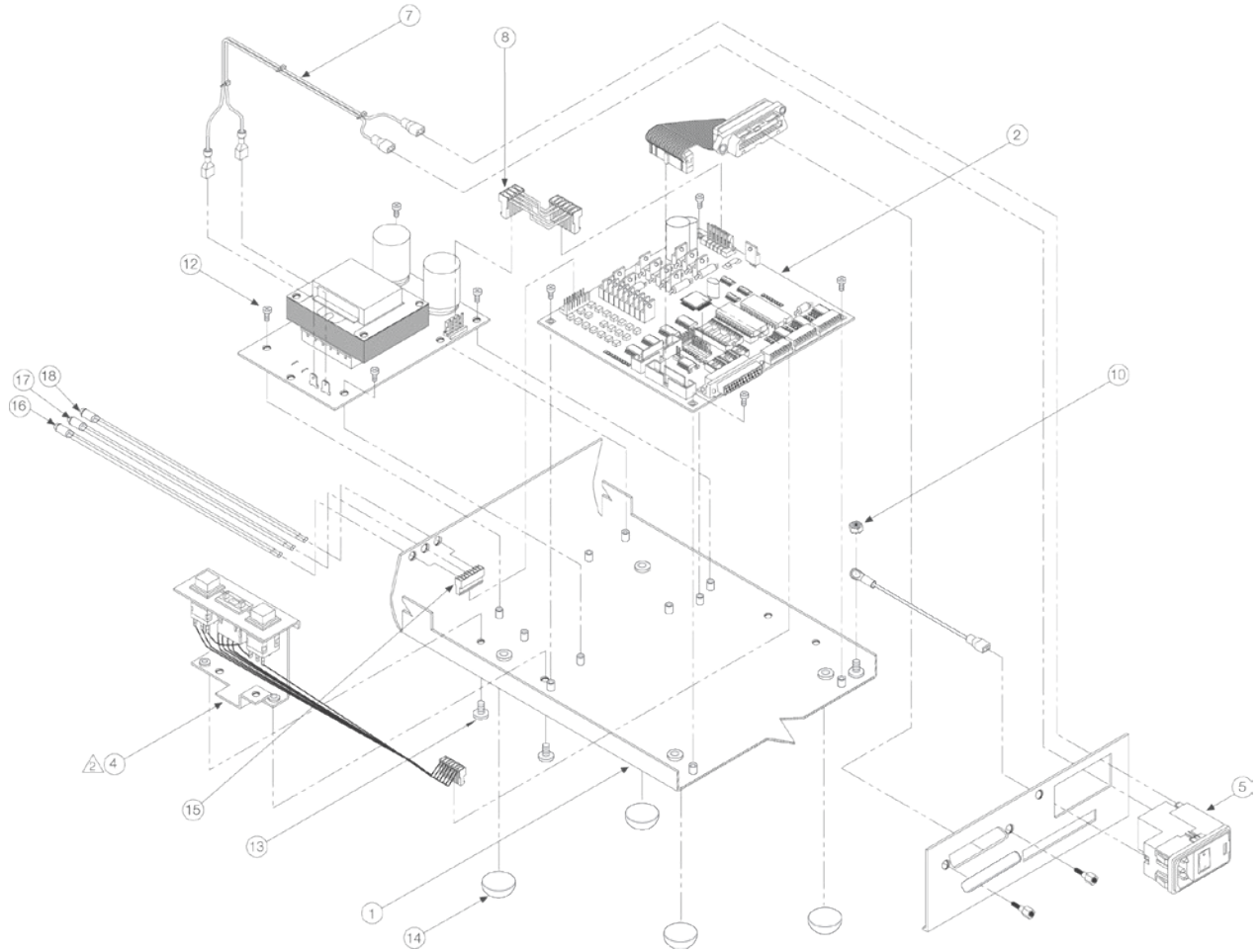
Part Number/Price

Ref#	Part#	Description	Price
	40890	Filter assembly, line	Consult
1	35339	Enclosure, base (limited stock)	Consult
2	35361	Board, CPU assembly main	Consult
Components of Part #35361			
	16347	IC, 20 mA transmitter, HCPL-4100, 8-pin, U5 (option)	Consult
	16348	IC, 20 mA receiver, HCPL-4200, 8-pin, U6 (option)	Consult
	16210	IC, S-ram, time and date, U9 (option)	Consult
	23171	EPROM, Rev. 1.2	Consult
	36014	Fuse, Fast act 2A subminiature	Consult
Components of Part #35362			
	38851	Fuse, Fast act 5A subminiature (PSFI)	Consult
4	16100	Mount, switch blank	Consult
5	34192	Line filter, RFI 6AMP dual fuse (AC)	Consult
Components of Part #34192			
	16451	Fuse, Slo-Blo, 3/4 amp (230 VAC)	Consult
	16462	Fuse, Slo-Blo, 1.25A 3AG (115 VAC)	Consult
7	34187	Cable assembly, power input to power supply 16AWG	Consult
8	34188	Cable assembly, power supply to CPU board jumper	Consult
10	14626	Nut, Kep 8-32 NC	Consult
12	14831	Screw, MACH 4-40 NC x 5/16	Consult
13	14859	Screw, MACH 8-32 NC x 5/16	Consult
14	26408	Foot, self-adhesive, 3/4 in diameter	Consult
15	15839	Conn, 8-position MAS-CON end	Consult
16	34199	LED, panel mount .250 dia. yellow with 6 in leads	Consult
17	34197	LED, panel mount .250 dia. red with 6 in leads	Consult
18	34198	LED, panel mount .250 dia. green with 6 in leads	Consult
	16096	Paper guide	Consult

(See Diagram SP2200-A)

Rice Lake SP2200 Ticket Printer

Base Assembly



SP2200-A

Rice Lake SP2200 Ticket Printer

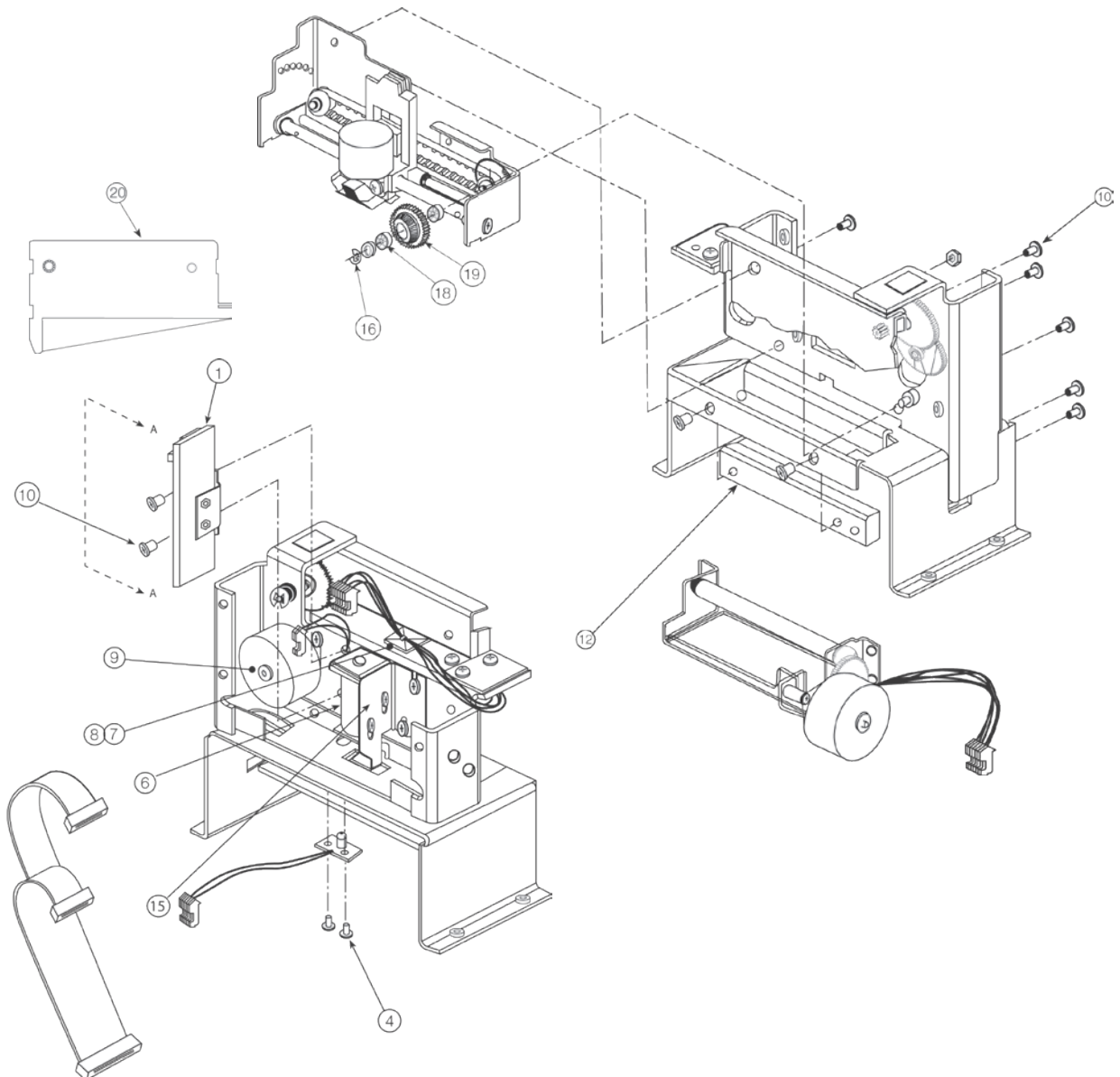
Mechanism Assembly



Part Number/Price

Ref#	Part#	Description	Price
1	34043	Board assembly, head	Consult
4	14822	Screw, MACH 4-40 NC x 1/4	Consult
6	34176	Linkage assembly, solenoid	Consult
7	15650	Mount, cable tie 3/4 in square nylon	Consult
8	15631	Cable tie, 3 in nylon	Consult
9	34169	Motor assembly, head drive	Consult
10	14859	Screw, MACH 8-32 NC x 5/16	Consult
12	33116	Platen	Consult
15	33113	Solenoid bracket	Consult
16	20852	Ring, retaining	Consult
18	20281	Bearing, ball	Consult
19	33805	Pulley, gear head drive	Consult
20	20308	Ribbon cartridge, black	Consult

(See Diagram SP2200-B)



Printers/Keyboards

SP2200-B

Discontinued

PRINTERS/KEYBOARDS

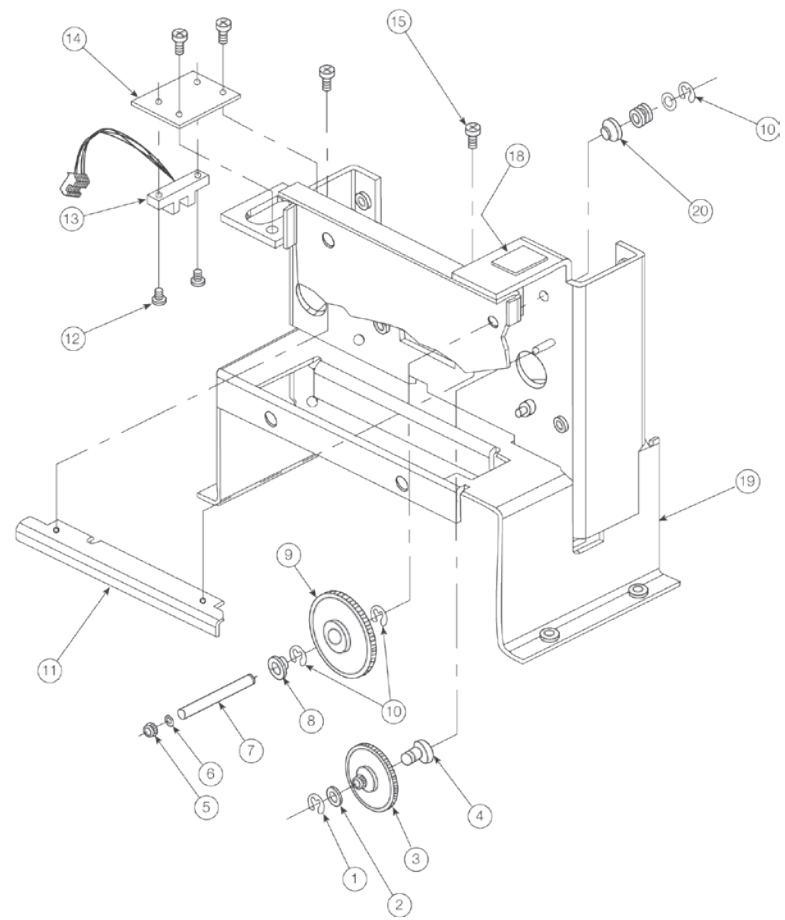
Rice Lake SP2200 Ticket Printer

Idler, Clutch, Sensor Assembly

Part Number/Price

Ref#	Part#	Description	Price
1	20852	Ring, retaining	Consult
2	20839	Spacer, retainer	Consult
3	33808	Idler gear, ribbon	Consult
4	20827	Post, idler-ribbon	Consult
5	20685	Gear, ribbon drive	Consult
6	20817	Spacer, bearing	Consult
7	20669	Shaft, ribbon drive axle	Consult
8	20854	Bushing, nyliner	Consult
9	34175	Gear assembly, clutch	Consult
10	20851	Retaining ring, ribbon drive	Consult
11	20825	Guide, carriage track	Consult
12	14822	Screw, MACH 4-40 NC x 1/4	Consult
13	36213	Sensor assembly, carriage	Consult
14	20273	Mount, switch	Consult
15	14839	Screw, MACH 6-32 NC x 1/4	Consult
18	20853	Gasket, neoprene 1/8 x 1/2	Consult
19	33110	Assembly, mechanism frame	Consult
20	34095	Bushing, nyliner	Consult

(See Diagram SP2200-C)



SP2200-C

Printers/Keyboards

Rice Lake SP2200 Ticket Printer

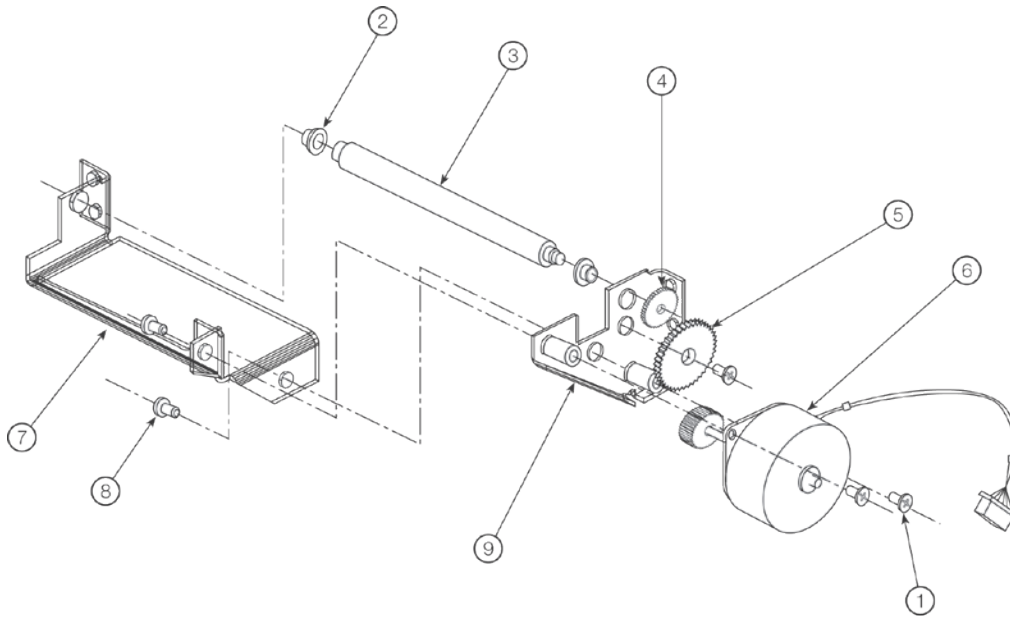
Paper Drive Assembly



Part Number/Price

Ref#	Part#	Description	Price
1	14845	Screw, MACH 6-32 NC x 3/8	Consult
2	20285	Bushing, nylon	Consult
3	33504	Roller assembly, paper drive rubber	Consult
4	20286	Gear, paper drive	Consult
5	33806	Gear, paper, idler	Consult
6	34168	Motor assembly, paper drive	Consult
7	33115	Bracket, roller left side	Consult
8	14839	Screw, MACH 6-32 NC x 1/4	Consult
9	33114	Bracket, motor mount right side	Consult

(See Diagram SP2200-D)



SP2200-D

Discontinued

PRINTERS/KEYBOARDS

Rice Lake SP2200 Ticket Printer

Print Head Assembly

Part Number/Price

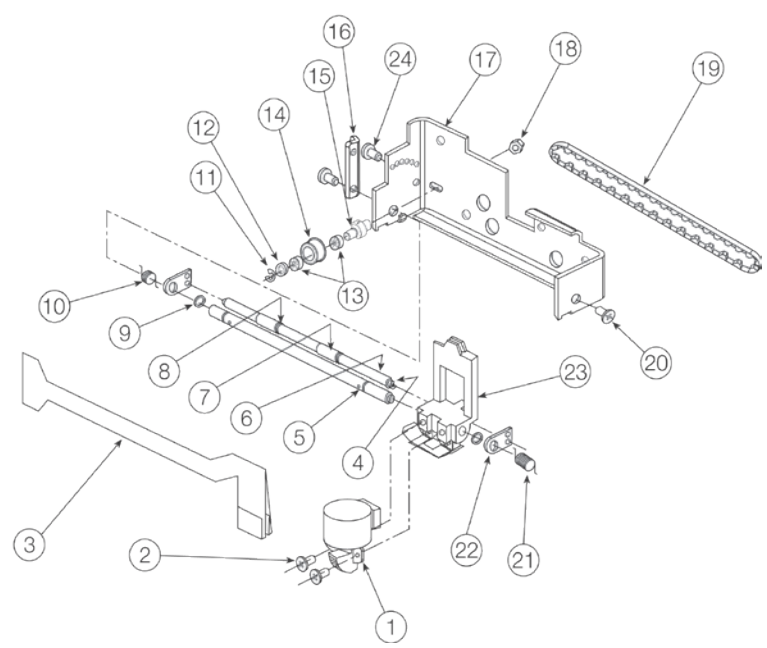
Ref#	Part#	Description	Price
1	35347	Print head, 350-M12 9-pin	Consult
2	14822	Screw, MACH 4-40 NC x 1/4	Consult
3	33850	Cable, print head 2 ft x 6 ft flexible	Consult
4	20850	Ring, retaining	Consult
5	20828	Shaft, carriage track	Consult
6	20829	Shaft-clamp	Consult
7	20830	Clamp, roller	Consult
8	20292	Ring, retaining	Consult
9	20293	Ring, retaining .25 Ext	Consult
10	20283	Spring, LH clamp	Consult
11	20294	Ring, retaining	Consult
12	20295	Spacer	Consult
13	20279	Bearing, ball	Consult
14	20280	Pulley, idler	Consult
15	33501	Post, left belt tensioner	Consult
16	20282	Lever, head adjust	Consult
17	20822	Bracket, carriage assembly	Consult
18	14625	Nut, lock 6-32 NC hex	Consult
19	20298	Belt, timing	Consult
20	14845	Screw, MACH 6-32 NC x 3/8	Consult
21	20284	Spring, RH clamp	Consult
22	20831	Clamp, linkage	Consult
23	33497	Assembly, print head carriage and ribbon guide	Consult
24	14832	Screw, MACH 4-40 NC x 3/8	Consult



Note: Early production units of the SP2200 use a carriage assembly bracket with a separate head drive gear post for the drive pulley. Use the following part numbers for these units:

20277	Gear post, head drive	Consult
-------	-----------------------	---------

(See Diagram SP2200-E)



SP2200-E

Printers/Keyboards

Rice Lake SP2200 Ticket Printer

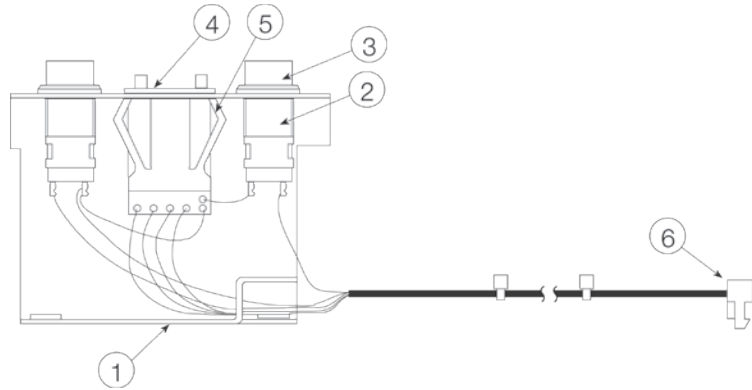
Switch Assembly



Part Number/Price

Ref#	Part#	Description	Price
	35231	Switch module assembly	Consult
1	15942	Switch mount bracket	Consult
2	15938	Push button switch	Consult
3	15939	Switch lens	Consult
4	15940	Pushwheel switch	Consult
5	15941	Side support plates	Consult
6	15707	Connector, 7-position green	Consult
	16210	T&D sram chip	Consult

(See Diagram SP2200-F)



SP2200-F

Part Number/Price

Part#	Description	Price
RL-22DT		
107532	Printhead	Consult
111085	Power supply	Consult
115477	Label roller	Consult
125456	Left latch hook, arrow faces to right	Consult
125457	Right latch hook, arrow faces to left	Consult
132897	Platen Cover Right RL-22DT	Consult
132896	Platen Cover Left RL-22DT	Consult
RL-42DT/RL-42TT		
107531	Printhead	Consult
111085	Power supply	Consult
115478	Label roller RL-42DT	Consult
115479	Label roller RL-42TT	Consult
125213	Left latch hook, arrow faces to right	Consult
125214	Right latch hook, arrow faces to left	Consult

*RL-22DT**RL-42DT**RL-42TT*

Rice Lake



Part Number/Price

Part#	Description	Price
Guardian™ Enclosure		
99109	Mount plate for LP2844	Consult
79527	Mount plate for TLP2844	Consult
110508	Mount plate RL-42DT	Consult
110509	Mount plate, RL-42TT	Consult
SURVIVOR® SST2™ Stainless Steel Thermal Label Printer		
53930	1.5 in media hub assembly	Consult
53934	Flanged .375 in ID x .875 in OD bearing	Consult
72238	Motor control cable assembly	Consult
72190	PH power cable assembly	Consult
72176	Front panel flex cable	Consult
72177	Media sensor flex cable	Consult
53929	Ribbon clutch assembly	Consult
34911	E-ring 3/8 Truarc 5133-37	Consult
53935	24 pitch 48 teeth gear spur Delrin	Consult
53936	Gear spur Delrin, 24 teeth	Consult
53940	Media sensor assembly	Consult
53956	Power Supply	Consult
78291	Peel mechanism	Consult
53924	Platen assembly	Consult
53923	Post idler	Consult
53939	Printhead 203 dpi dual connector	Consult
45346	Communications plate	Consult
45490	Gasket for communications cover plate (requires 2)	Consult
67797	Cover ribbon spool	Consult
53938	Torsion spring	Consult
53941	Stepper motor assembly	Consult
53925	Take-up hub assembly	Consult
53937	Timing belt	Consult
72053	Cover plate	Consult
74705	Base gasket	Consult
74706	Cover plate gasket	Consult
74810	Shroud gasket	Consult
Components of Peel Mechanism (special order)		Consult
78291	Peel mechanism	Consult
96777	Peel mechanism ledge	Consult
65687	Rivets	Factory Installed
20875	Lid Support	Consult

Rice Lake Survivor SST3®

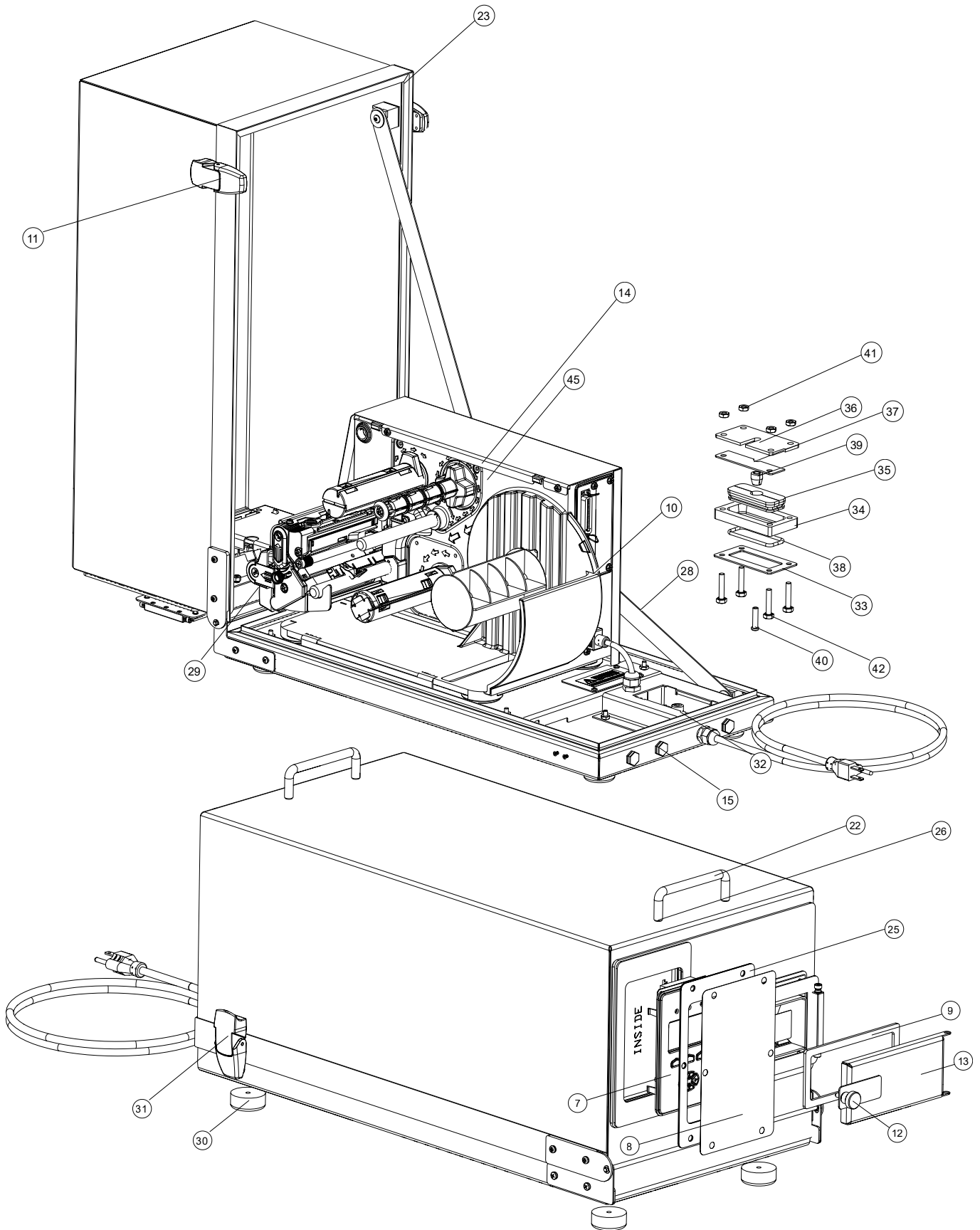
Part Number/Price

Ref#	Part#	Description	Price
	104976	Board, main 8 MB flash	Consult
	53936	Gear, spur 24t	Consult
	53923	Idler post	Consult
	104972	Power supply board	Consult
	210807	Printhead, 203 dpi	Consult
	107162	Upper platen roller kit	Consult
	198713	SST3 replacement display retrofit kit	Consult
8	108868	Display cover	Consult
9	108717	Gasket, label presentation	Consult
10	108891	Printer, M-4210, Mark II	Consult
11	108894	Gasket, latch mount	Consult
12	108718	Front knob	Consult
13	108714	Cover, Label Presentation Chute	Consult
14	109636	Ribbon cable, 26 in control panel	Consult
15	88733	Breather vent	Consult
	111873	Fuse, 230V heater	Consult
17	113733	Anti-reflective patch	Consult
	113365	Cover, antennae	Consult
	113766	Bracket, wireless antennae	Consult
	113767	Plate, base wireless	Consult
22	45491	Handle	Consult
23	110625	Enclosure gasket	Consult
	105382	Power cord	Consult
25	109190	Display gasket	Consult
26	110543	Handle gasket	Consult
28	109890	Support arm	Consult
29	108718	Front knob	Consult
30	109535	Foot	Consult
31	108939	Latch and keeper set	Consult
32	109168	Reducing gland	Consult
33	110572	Communications gasket	Consult
34	110573	Communications port plate	Consult
35	110574	Communications insert	Consult
36	110575	Communications port split-seal	Consult
37	110694	Communications port split-seal, half	Consult
38	110695	O-ring	Consult
39	110771	Reducing gland	Consult
40	19538	Black post	Consult
41	14645	Jam nut, 1/4-20 NC	Consult
42	112347	Cap screw 1/4-20 x 1 1/4 in	Consult
	36966	Heater, 120VAC	Consult
	114835	Heater, 230VAC	Consult
45	158800	Screw for center pivot joint	Consult
	171252	Label Presentation Bexel and Assembly	Consult

Note: Honeywell M-4210 Mark II Parts drawing available at ricelake.com
(See Diagram SST3)



Rice Lake Survivor SST3®



Part Number/Price

Part#	Description	Price
SP298 Dot Matrix Printer		
69921	Ink ribbon, purple	Consult
69903	Power supply	Consult
72309	Power supply, 12V vehicle lighter plug	Consult
72513	Print head	Consult
SP2320/SP2520/SP512 Dot Matrix Tape Printer		
69921	Ink ribbon, purple	Consult
69903	Power supply, SP 2320 and SP 2520	Consult
72309	Power supply, 12V, SV 2320 and SP 2520, vehicle lighter plug	Consult
SP700/SP712/SP742 Dot Matrix Printer		
103728	Ink ribbon, black	Consult
DP8340 Dot Matrix Tape Printer		
70682	Power supply	Consult
20447	Ribbon cartridge, purple	Consult



SP298



SP2320/SP2520/SP512



SP700



DP8340



TSP654



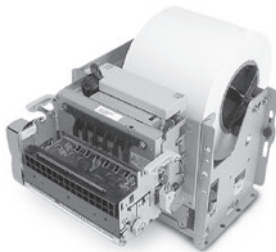
TSP743



SP349



NP211



TUP900

Part Number/Price

Part#	Description	Price
TS654/TSP743 Direct Thermal/Thermal Transfer Printer		
69903	Power supply	Consult
71355	Parallel option card	Consult
72309	Power supply, 12V, vehicle lighter plug	Consult
SP349/SP312 Dot Matrix Tape Printer		
69920	Ink ribbon, purple	Consult
70247	20 mA output	Consult
NP-211/NP-2511/NP-3511 Thermal Kiosk Printer		
69903	Power supply, NP-2511, NP-3511	Consult
TUP900 Direct Thermal Kiosk Mechanism		
69903	Power supply	Consult

Part Number/Price

Part#	Description	Price
(Eltron®) LP-2824, LP-2844, TLP-2844		
78998	Print head, LP2824 2 in	Consult
86938	Power supply, 100V-24 0V (C7)	Consult
78999	Print head assembly - 4 in LP	Consult
79000	Print head assembly - 4 in TLP	Consult
GK I GX Series		
111091	Printhead 203 dpi, direct thermal	Consult
115480	Power supply	Consult
161470	GK420+ GX420+ Printhead thermal transfer 203 dpi	Consult



LP-2824



GK-TT

GK-DT

Remote Displays

TABLE OF CONTENTS

LASERLIGHT® 2	266
<i>4 Inch, 6 Inch, 4 Inch Stop/Go</i>	
LASERLIGHT®	272
<i>4 Inch, 6 Inch & 4 Inch Stop & Go</i>	
LASERLT-60 AND LASERLT-100	275
LASERLIGHT® 3M8 & 3M12	276
LASERLT RD-1550	278
RD-232 AND RD-300	280
DISPLAY, EXTERNAL MOUNT	281
<i>Tracer Airline Baggage Scale Display</i>	
DISPLAY, PANEL MOUNT RD-1 AND RD-2	282
<i>Tracer Airline Baggage Scale Display</i>	

REMOTE DISPLAYS

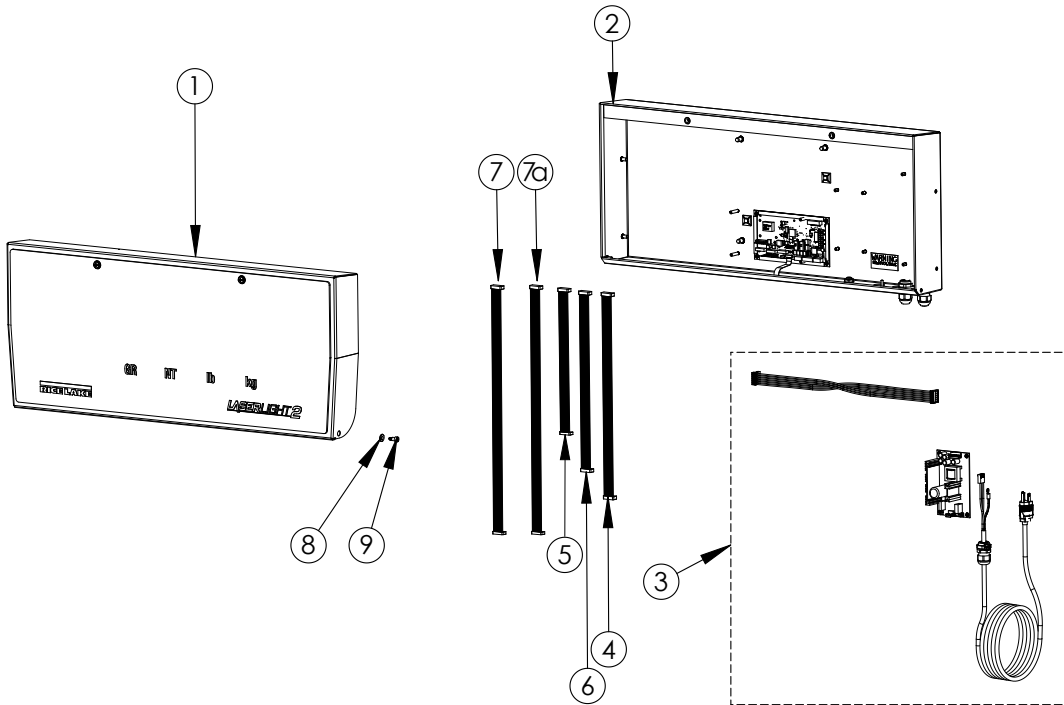
LaserLight® 2

4 Inch, 6 Inch, 4 Inch Stop/Go

Part Number/Price

Ref#	Part#	Description	4"	6"	4" Stop/Go	Price
1	173599	Front panel assembly see page 270				Consult
2	173146	Cabinet assembly see page 267				Consult
3	174488	Power kit assembly see page 268				Consult
4	169391	Cable, ribbon 16 in			1X	Consult
5	76224	Cable, ribbon 8 in		2X		Consult
6	76225	Cable, ribbon 14 in	3X	1X	1X	Consult
7	104284	Cable, ribbon 23 in			1X	Consult
7a	104283	Cable, CPU to traffic light 23 in			1X	Consult
8	173144	Washer, black nylon	•	•	•	Consult
9	178043	U-Nut, 1/4-20 tapped barrel free spin	•	•	•	Consult
Components of Parts Kit #92056 (used in all 3 models)						
	15631	Cable tie, 3 in nylon				Consult
	66730	Filter, cylindrical EMI				Consult
	76513	CONN, 4 Pos screw terminal				Consult
	76514	CONN, 6 Pos screw terminal				Consult

Remote Displays



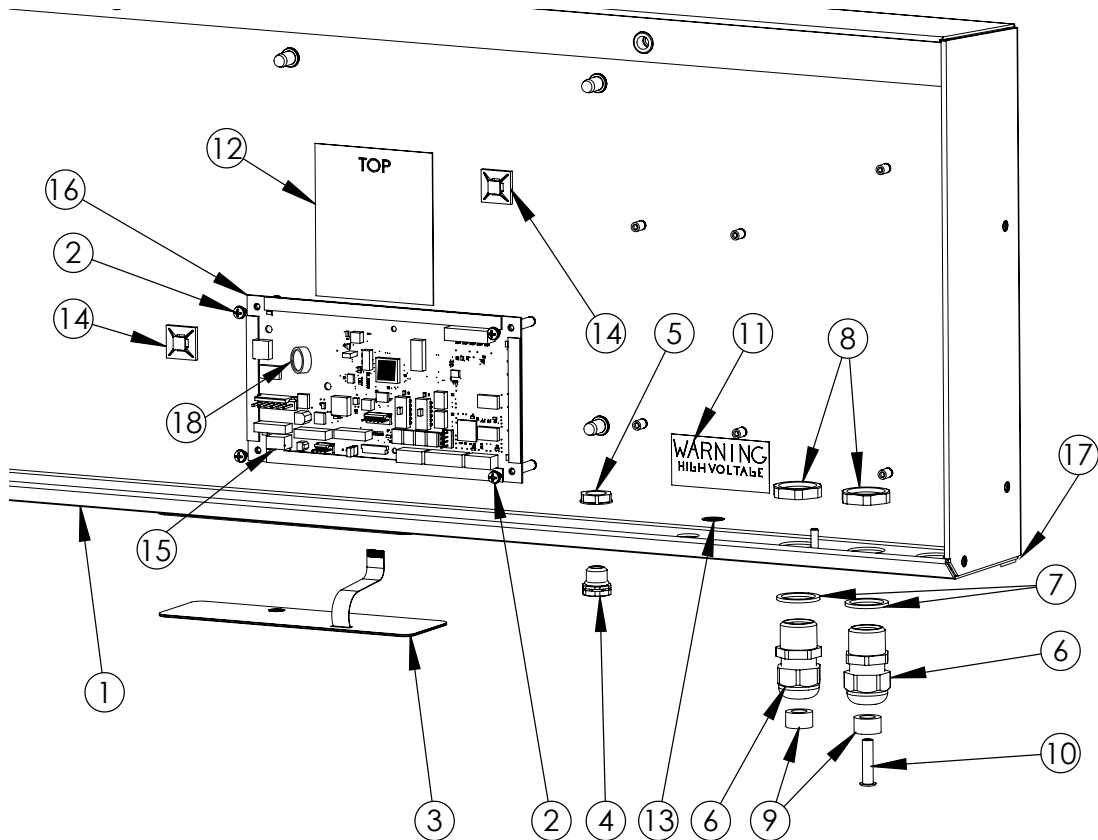
LaserLight2
Parts Illustration

REMOTE DISPLAYS
LaserLight® 2
 4 Inch, 6 Inch, 4 Inch Stop/Go

Remote Displays

Part Number/Price

Ref#	Part#	Description	4"	6"	4" Stop/Go	Price
—	181411	Cabinet		•	•	Consult
	173597	Cabinet	•			Consult
1	181411	Rear panel assembly		•	•	Consult
	181408	Rear panel assembly	•			Consult
2	14839	Screw, Mach 6-32NC x 1/4	•	•	•	Consult
3	166345	Overlay	•	•	•	Consult
4	88733	Vent, breather sealed	•	•	•	Consult
5	88734	Nut, breather vent	•	•	•	Consult
6	15628	Cord Grip, 1/2 NPT black	•	•	•	Consult
7	30376	Seal Ring, nylon 1/2 NPT	•	•	•	Consult
8	15630	Locknut, 1/2 NPT black	•	•	•	Consult
9	15665	Gland, Reducing 1/2 NPT	•	•	•	Consult
10	19538	Post Plug, slotted black	•	•	•	Consult
11	16861	Label, warning high	•	•	•	Consult
12	177093	Label, serial comm pin out	•	•	•	Consult
13	16892	Label, ground protective	•	•	•	Consult
14	15650	Mount, cable tie 3/4 in	•	•	•	Consult
15	177369	Ambient Light Sensor	•	•	•	Consult
16	178869	Board, CPU LaserLight 2 - blue board	•	•	•	Consult
17	26408	Bumper, self adhesive 3/4 rubber	•	•	•	Consult
18	69291	Battery, 3V coin lithium	•	•	•	Consult



LaserLight2
 Cabinet Assembly

REMOTE DISPLAYS

LaserLight® 2

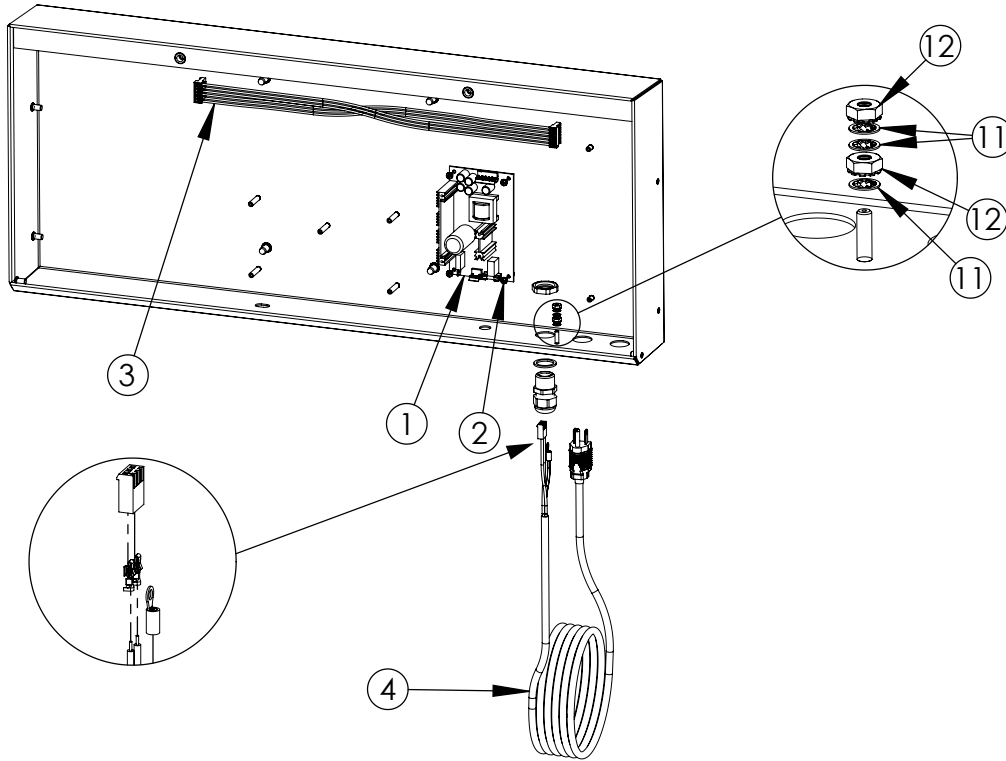
4 Inch, 6 Inch, 4 Inch Stop/Go

Remote Displays



Part Number/Price

Ref#	Part#	Description	Price
1	175551	Power supply, 12V board	Consult
	174488	Power supply, UL	Consult
2	14839	Screw, Mach 6-32NC x 1/4	Consult
3	169272	Cable assembly, power supply	Consult
4	169520	Power cord assembly remote	Consult
	175475	Power cord assembly, GFCI	Consult
11	15134	Washer, Lock No. 8 Type A	Consult
12	14626	Nut, Kep 8-32NC HEX	Consult



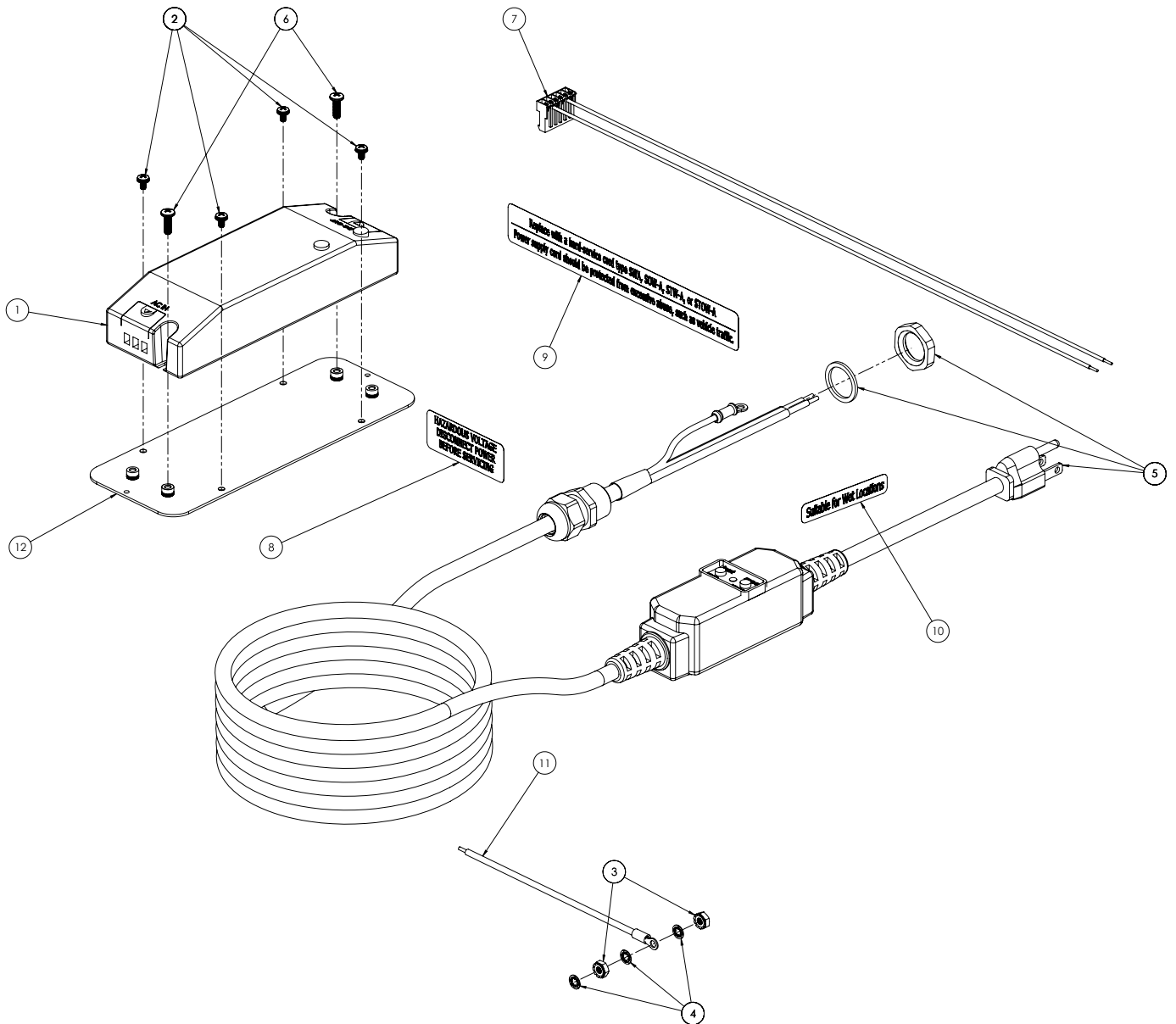
Power Kit Assembly

REMOTE DISPLAYS
LaserLight® 2
 4 Inch, 6 Inch, 4 Inch Stop/Go

Remote Displays

Part Number/Price

Ref#	Part#	Description	Price
1	175563	Power Supply, 12V 60W board	Consult
2	14839	Screw, Mach 6-32NC x 1/4	Consult
3	14626	Nut, Kep #8-32NC Hex	Consult
4	15132	Washer, lock NO 8 Type A	Consult
5	175475	Power Cord Assembly, GFCI	Consult
6	49953	Screw, Mach 8-32NC x 1/2 PPH SST	Consult
7	175476	Cable assembly, Power supply to CPU	Consult
8	176246	Label, Hazardous voltage	Consult
9	167323	Label, Replace cord type	Consult
10	176248	Label, Suitable for wet locations	Consult
11	36719	Wire assembly, Ground 6 in with #8 eye	Consult
12	174486	Bracket, power supply adapter	Consult



Power Kit Assembly UL

REMOTE DISPLAYS

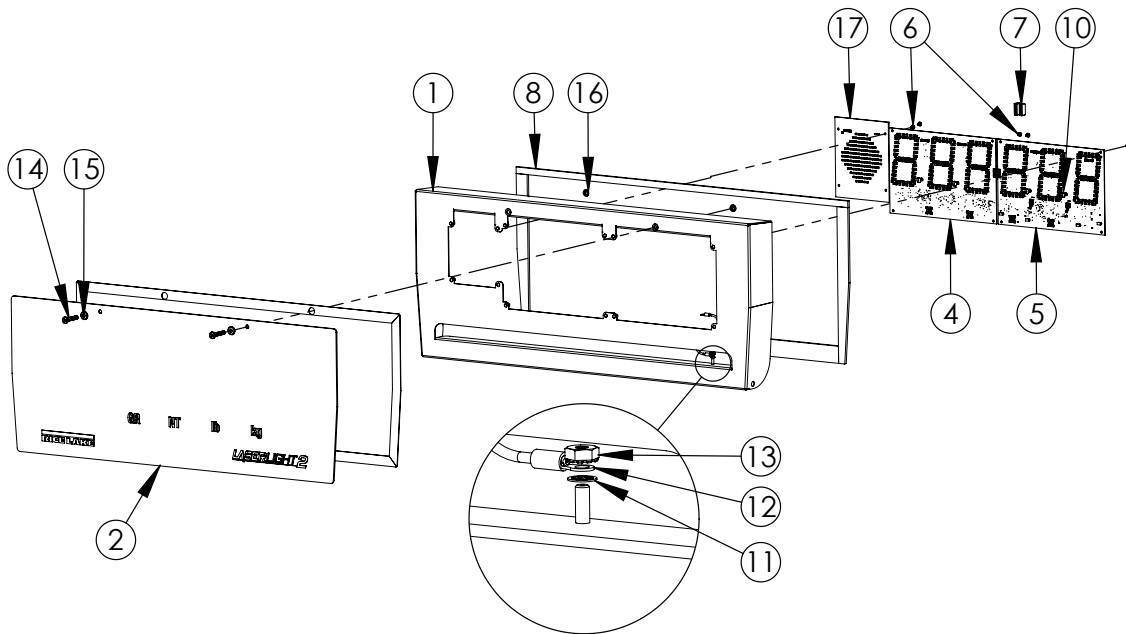
LaserLight® 2

4 Inch, 6 Inch, 4 Inch Stop/Go

Remote Displays



Ref#	Part#	Description	4"	6"	4" Stop/Go	Price
1	181412	Front Cabinet, 31 in			•	Consult
	181410	Front Cabinet, 31 in		•		Consult
	181409	Front Cabinet, 22 in	•			Consult
2	173824	Lens, display			•	Consult
	169715	Lens, display		•		Consult
	167134	Lens, display	•			Consult
4	167401	Board, Display primary	•		•	Consult
	168033	Board, Display primary		•		Consult
5	167402	Board, Display secondary	•		•	Consult
	168034	Board, Display secondary		•		Consult
6	14839	Screw, Mach 6-32NC x 1/4	•	•	•	Consult
7	76226	Cable, Ribbon 5 in long	•	•		Consult
8	170174	Gasket		•	•	Consult
	167238	Gasket	•			Consult
10	175212	Standoff, Plastic press-in	•	•	•	Consult
11	15134	Washer, Lock NO 8 Type A	•	•	•	Consult
12	15601	Ground Wire, 6 in/w No. 8	•	•	•	Consult
13	14626	Nut, Kep 8-32NC HEX	•	•	•	Consult
14	175781	Machine Screw, 1/4-20 x 1-1/2	•	•	•	Consult
15	166634	Washer, 1/4 in high pressure sealing	•	•	•	Consult
16	166653	Retainer, Pushnut bolt 1/4	•	•	•	Consult
17	103651	Board Assy, LED traffic			•	Consult



Front Panel Assembly

REMOTE DISPLAYS

LaserLight®

4 Inch, 6 Inch & 4 Inch Stop & Go



Part Number/Price

Ref#	Part#	Description	Price
1	16861	Warning high label	Consult
2	76254	10 in ground wire assembly	Consult
3	75857	AC power cord assembly	Consult
4	40672	Ground wire, 9 in	Consult
4	15602	Ground wire, 12 in	Consult
5	Consult	Steel enclosure	Consult
6	76408	AC cable assembly	Consult
7	16892	Ground/earth label	Consult
8	15628	1/2 NPT black cord grip	Consult
9	15630	1/2 NPT black locknut	Consult
11	15650	Cable tie 3/4 in mount	Consult
12	75569	Inside terminal bracket	Consult
13	45302	FEM-FEM 8-32 NC standoff	Consult
14	44744	3 position terminal block	Consult
15	14833	4-40 NC x 1/2 MACH screw	Consult
16	14626	8-32 NC kep nut	Consult
17	15134	Lock no. 8 type A washer	Consult
18	72998	Time-set covering label	Consult
19	58983	SL-7 with nut cord grip	Consult
20	41255	1/2 nylon flat washer	Consult
21	76176	Clear extruded rod	Consult
22	15895	Switch cover	Consult
23	75861	Push button switch assembly	Consult
24	22262	Liquid tight 1/2 NPT seal	Consult
25	71349	Breathing .25 diameter filter	Consult
26	Consult	Gusset bottom plate	Consult
27	76158	Retaining no. 8 ring	Consult
28	30625	Plain no. 8 nylon washer	Consult
29	76157	8-32 NC x .375 screw	Consult
30	Consult	Vertical component plate	Consult
31	74880	4 in primary display board	Consult
31	74882	6 in primary display board	Consult
32	74881	4 in secondary display board	Consult
32	74883	6 in secondary display board	Consult
33	76156	PCB support mini post	Consult
34	76246	Cable assy, 21 in	Consult
34	76247	Cable assy, 30 in	Consult
35	104283	23 in long ribbon cable	Consult
36	76653	Serial comm pin out label	Consult
37	76225	14 in long ribbon cable	Consult
38	72996	12V board power supply	Consult
38	175563	12V power supply UL marked	Consult
39	45043	4 in with no. 8 ground wire	Consult
40	75860	Power supply cable assembly	Consult
41	19538	Slotted black post only	Consult
42	104284	CPU to traffic light cable	Consult
44	119735	CPU Laserlight board	Consult
45	76226	4 in long ribbon cable	Consult
46	77136	Printed circuit support	Consult
47	110520	LaserLight-Stop/Go gray lens	Consult
47	107025	LaserLight-4 gray lens	Consult
47	110517	LaserLight-6 gray lens	Consult
49	74870	Mounting gasket plate	Consult
50	15665	1/2 NPT reducing gland	Consult
50	14839	6-32 NC x 1/4 MACH screw	Consult
51	80589	Cable tie push-in mount	Consult
52	103651	LED traffic board assembly	Consult
54	104301	3M VHB 5952 black tape	Consult/in
Components of Part #92056			Consult
	66730	Cylindrical EMI filter (1)	Consult
	76513	4 POS screw terminal connector (2)	Consult
	76514	6 POS screw terminal connector (1)	Consult

(See Diagrams Laserlight-C-D-E)

Remote Displays



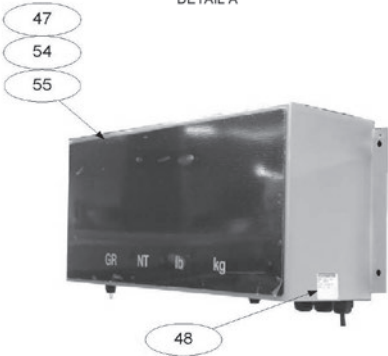
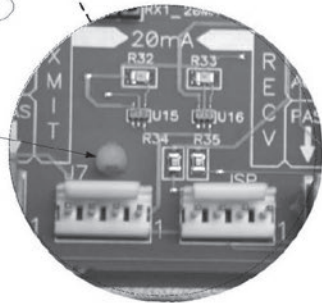
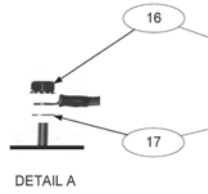
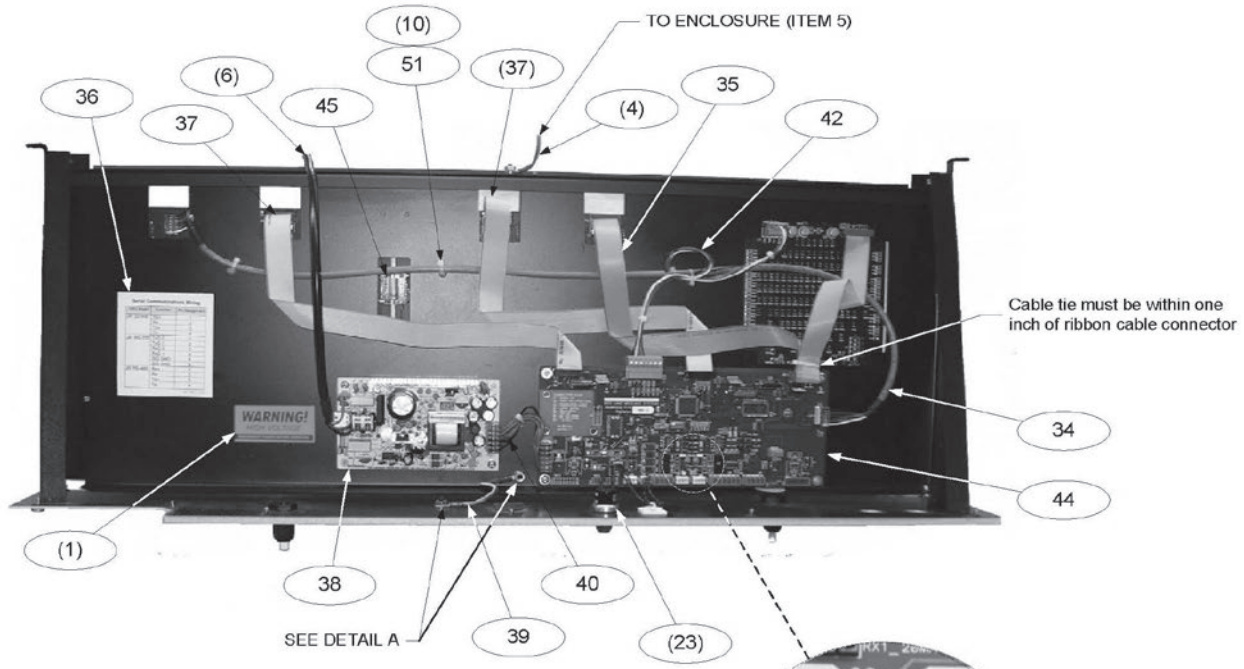
4 inch



6 inch shown with visor

REMOTE DISPLAYS
LaserLight®
 4 Inch, 6 Inch & 4 Inch Stop & Go

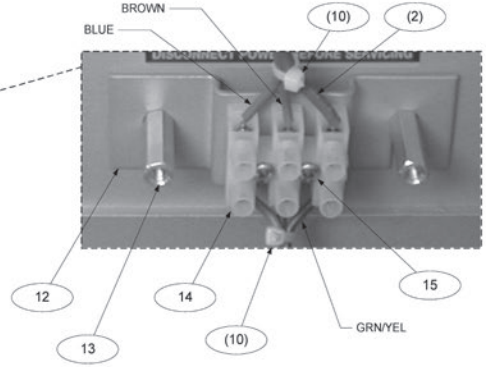
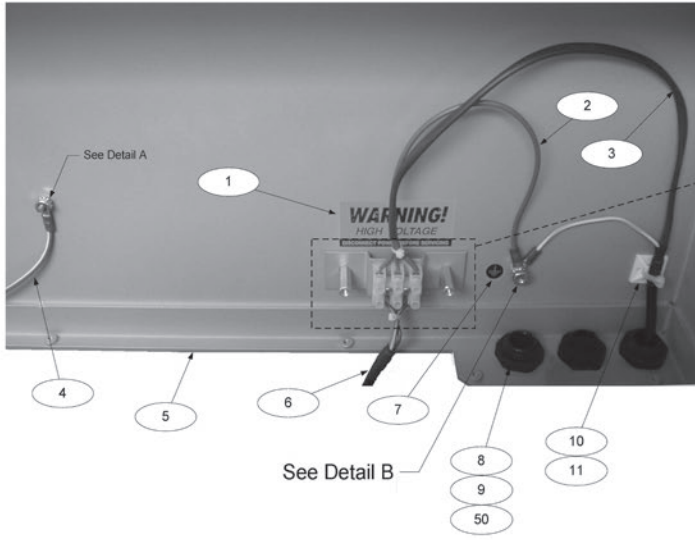
Remote Displays



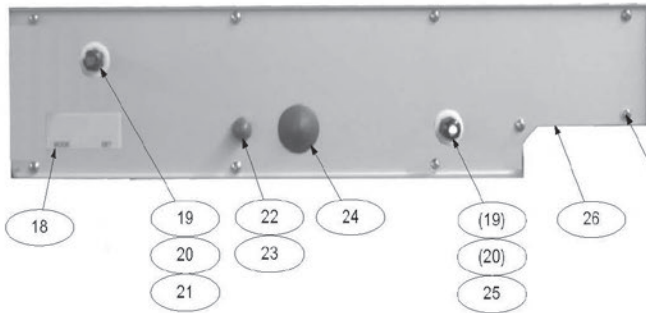
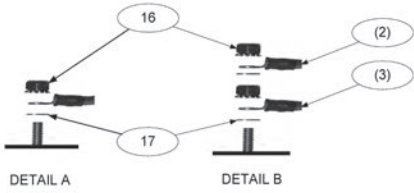
LaserLight-C
 4 in Stop/Go LaserLight

REMOTE DISPLAYS
LaserLight®
 4 Inch Stop & Go

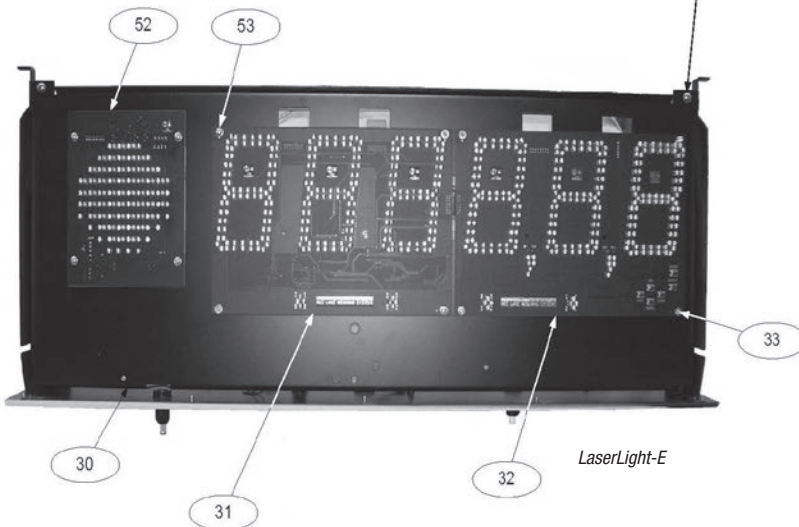
Remote Displays



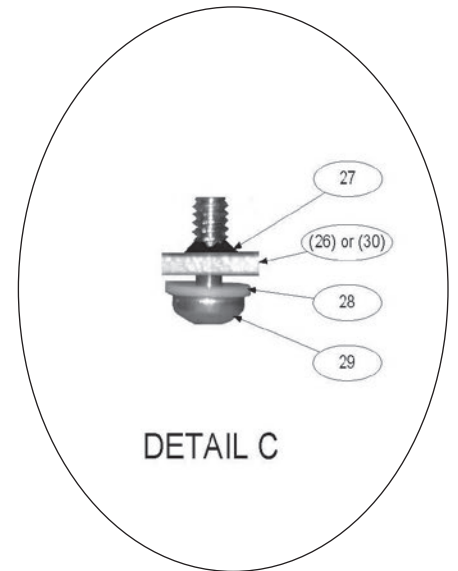
LaserLight-D



SEE DETAIL C



LaserLight-E



LaserLT-60 and LaserLT-100

Part Number/Price

Ref#	Part#	Description	Price
1	193011	Front panel overlay-60	Consult
1	193014	Front panel overlay-100	Consult
2		Display cover red plexiglass	Consult
3		Stainless steel front panel	Consult
4	193425	Display-60 board	Consult
4	193426	Display-100 board	Consult
5		Indicator bracket	Consult
6		Stainless steel case	Consult
7	193427	Power supply	Consult
8		Mounting bracket for power adapter	Consult
9	193424	CPU board	Consult
10		Gasket adhesive foam	Consult
		Pluggable 110-230VAC cable for power adapter	Consult

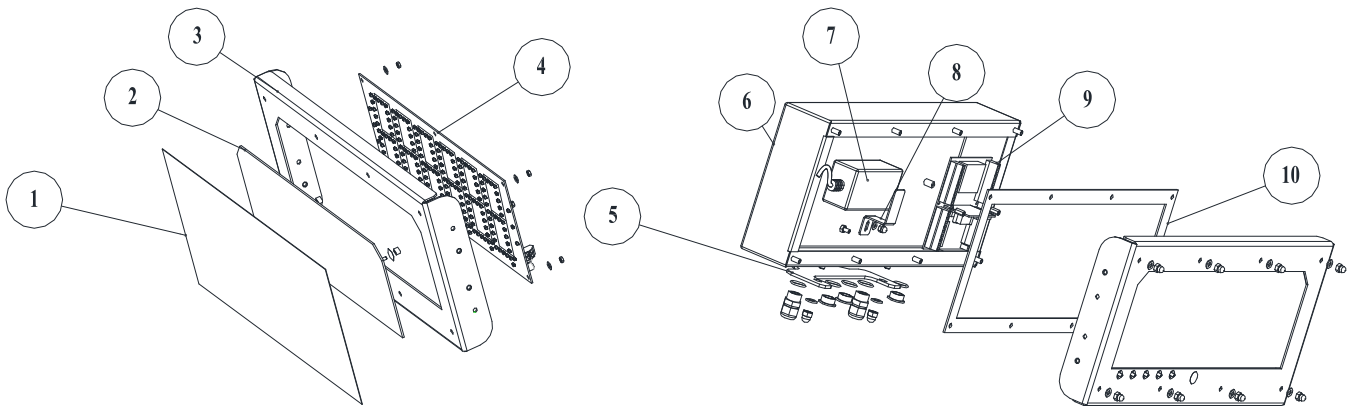


LaserLT-60



LaserLT-100

Remote Displays



LaserLight® 3M8 & 3M12

Part Number/Price

Ref#	Part#	Description	Price
3M8 and 3M12 Parts			
2	75569	Bracket, inside terminal (1)	Consult
3	44744	Terminal block, 3-position (1)	Consult
4	15630	Locknut, 1/2 NPT black (3)	Consult
8	75857	Power cord (1)	Consult
9	84760	Display board, LED (1)	Consult
10	72999	Display board, primary (1) (*2)	Consult
11	76157	Machine screw (11) (*13)	Consult
12	30625	No. 8, plain nylon washer (11) (*13)	Consult
13	76158	Retaining ring (11) (*13)	Consult
14	76254	Ground wire, 10 in (1)	Consult
15	76246	6-position cable (1)	Consult
16	75861	Push button switch (1)	Consult
17	45043	Ground wire, 4 in (1)	Consult
22	16774	Fuse cover, 5 x 20 mm, blue (1)	Consult
23	72996	Power supply, 12V board (1)	Consult
24	76225	Ribbon cable, 14 in (1) (*2)	Consult
25	85130	CPU board (1)	Consult
26	76224	Ribbon cable, 8 in (1)	Consult
27	76176	Clear extruded rod (1)	Consult
28	71349	Filter, breathing .25 in diameter (1)	Consult
29	58983	Cable grip, SL-7 with nut (2)	Consult
30	22262	Seal, liquid tight 1/2 NPT (1)	Consult
31	15895	Cover, switch SRVR NEMA 4X (1)	Consult
33	40672	Ground wire, 9 in (1)	Consult
34	14626	Kep nut, 8-32 NC hex (6)	Consult
35	15134	Lock washer, no. 8 type A (6)	Consult
37	15628	Cord grip, 1/2 NPT black (3)	Consult
38	15665	Reducing gland, 1/2 NPT (3)	Consult
39	19538	Post only, slotted black (1)	Consult
40	75860	Power supply cable (1)	Consult
41	14833	Screw, MACH, 4-40 NC x 1/2 (2)	Consult
42	45302	Standoff, 8-32 NC (2)	Consult
	75936	Installation manual (1)	Consult
Components of Parts Kit # 92056			Consult
	66730	Cylindrical EMI filter	Consult
	76513	4 POS screw terminal connector	Consult
	76514	6 POS screw terminal connector	Consult
3M8 Parts Only			
1	84844	Enclosure, steel (1)	Consult
5	110518	Lens, optically filtering	Consult
7	72994	Gasket, mounting plate UV (1)	Consult
18	76408	Cable (1)	Consult
19	84845	Bottom plate (1)	Consult
20	84846	Component plate (1)	Consult
3M12 Parts Only			
1	84847	Enclosure, steel (1)	Consult
5	110519	Lens, optically filtering	Consult
7	74870	Gasket, mounting plate UV (1)	Consult
18	76247	Cable (1)	Consult
19	84848	Bottom plate (1)	Consult
20	84849	Component plate (1)	Consult

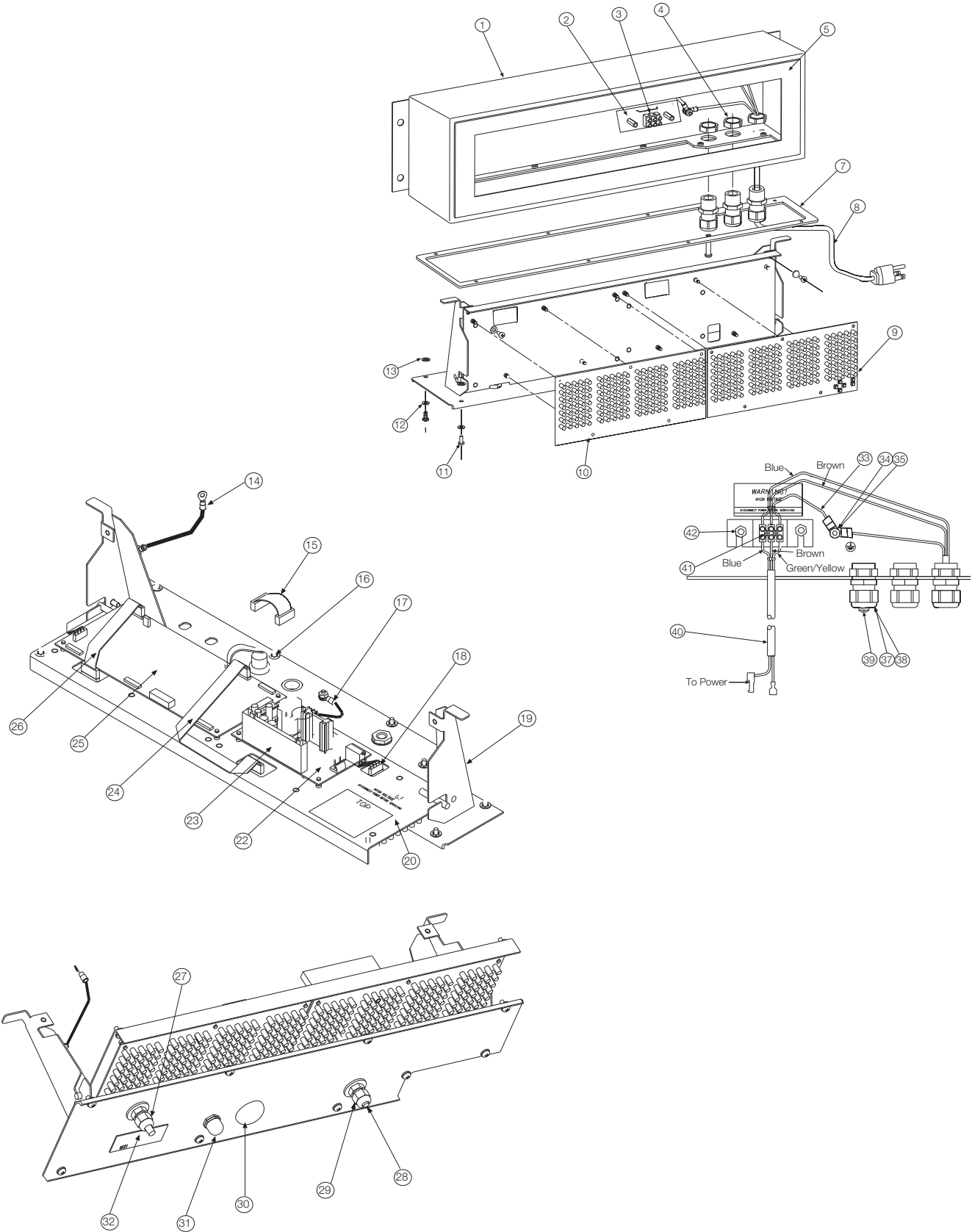
* Includes two boards

Remote Displays



REMOTE DISPLAYS
LaserLight® 3M8 & 3M12

Remote Displays



LaserLT RD-1550



Part Number/Price



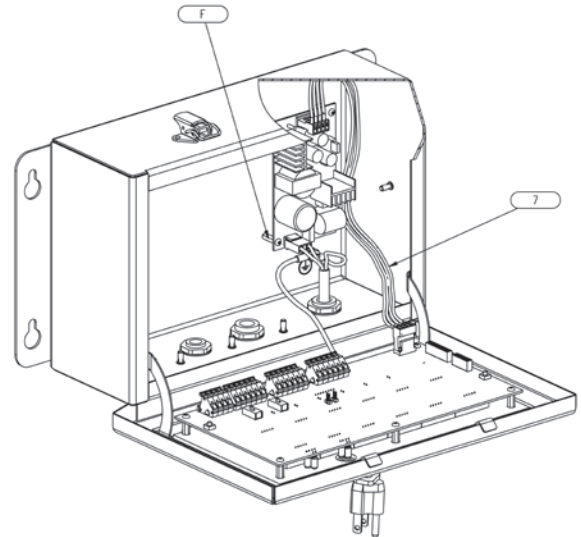
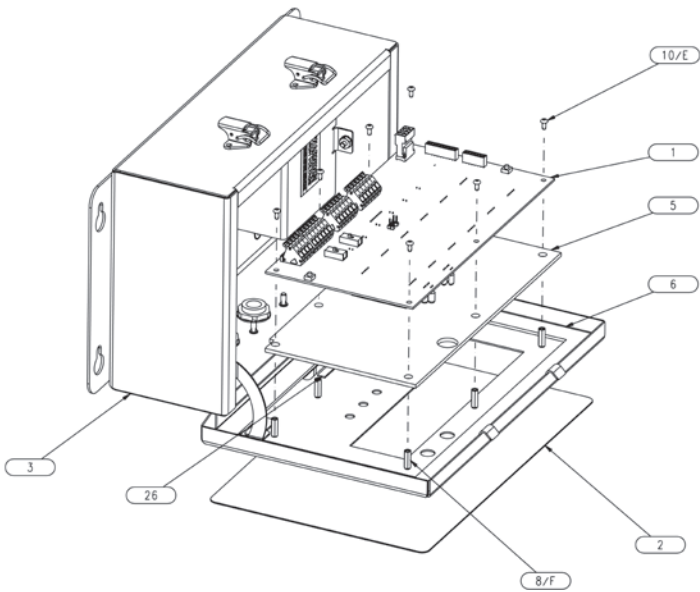
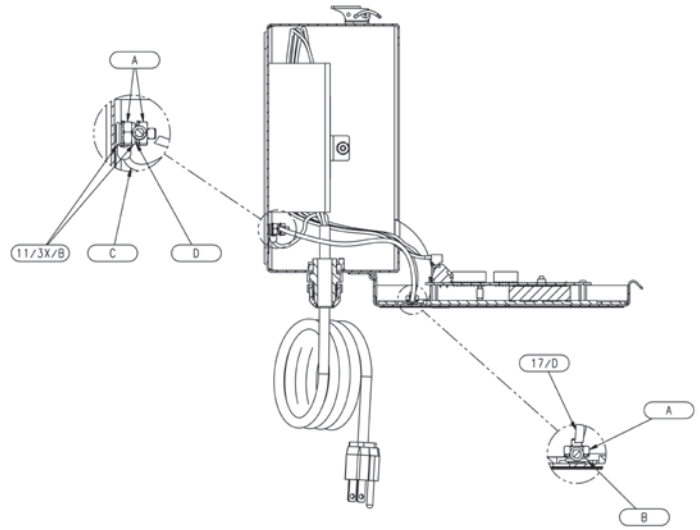
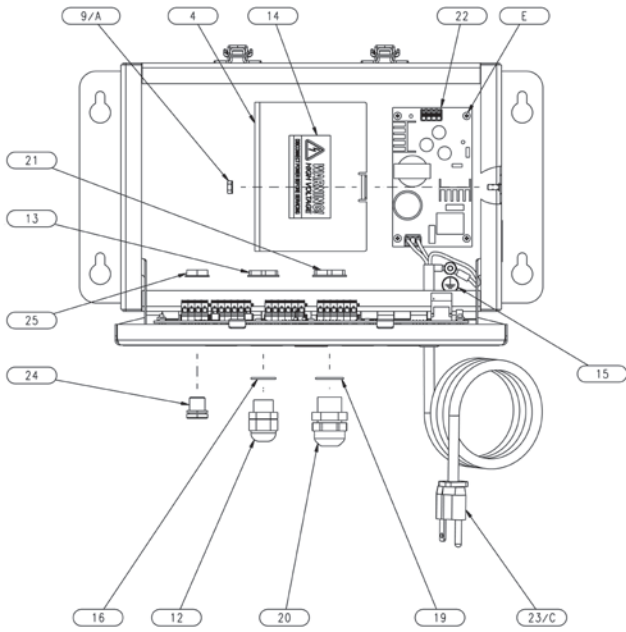
Ref#	Part#	Description	Price
1	110384	Board assembly, LED remote	Consult
2	111848	Overlay, membrane switch	Consult
3	113535	Enclosure, LaserLT RD1550	Consult
4	113542	Cover, power supply	Consult
5	113769	Lens, display front red	Consult
6	114019	Gasket, enclosure LaserLT	Consult
7	114433	Cable assembly, power supply	Consult
8/F	114549	Standoff, FEM-FEM 4-40NC	Consult
	115525	Parts kit, LaserLT	Consult
Components of Part #115525			
	15133	Washer, lock no. 8 type A	Consult
	15631	Cable tie, 3 in nylon	Consult
	16159	Bag, plastic Ziploc 3 x 5	Consult
	19538	Post only, slotted black	Consult
	53075	Clamp, ground cable shield	Consult
9/A	14626	Nut, kep 8-32 NC hex	Consult
10/E	14825	Screw, MACH 4-40NC x 1/4	Consult
11/B	15134	Washer, lock no 8 type A	Consult
12	15626	Cable, grip black PG9	Consult
13	15627	Locknut, black PCN9	Consult
14	16861	Label, warning high voltage	Consult
16	30375	Seal ring, nylon PG9	Consult
17/D	40672	Wire assembly ground 9in	Consult
19	68599	Seal ring, nylon PG11	Consult
20	68600	Cord grip, PG11	Consult
21	68601	Nut, PG11	Consult
22	76556	Power supply, 85-265VAC	Consult
22	97475	Power supply, DC/DC 9-36VDC	Consult
23/C	85202	Power cord assembly, 120VAC	Consult
	15888	Terminal block, 3 position for DC unit	Consult
24	88733	Vent, breather sealed	Consult
25	88734	Nut, breather vent	Consult
	85791	Fuse 2.5 amp, 5 x 20	Consult
	114035	Operating manual LaserLT	Consult
	112262	ReFlash cable	Consult

(See Diagram Laser LT-A)

Remote Displays

REMOTE DISPLAYS
LaserLT RD-1550

Remote Displays



LaserLT-A

REMOTE DISPLAYS

RD-232 and RD-300

Part Number/Price

Part#	Description	Price
RD-232 Remote Display		
32726	Display/CPU board, 117 VAC/12VDC, red LED	Consult
33210	Operating manual, RD-300/RD-232	Consult
34018	Overlay, front panel, red tint	Consult
179496	Display/CPU board, 117 VAC/12VDC, green LED	Consult
177625	Overlay, front panel clear, green	Consult
RD-300 Remote Display		
32724	Display/CPU board	Consult
32725	Display/CPU with backlight board	Consult
22547	LCD display	Consult
35993	Fuse, .25A Slo-Blo	Consult
22546	Overlay, front panel	Consult
22548	LCD backlight board	Consult
33210	Operating manual, RD-300/RD-232	Consult

Remote Displays



RD-232



RD-300

Display, External Mount

Tracer Airline Baggage Scale Display

Part Number/Price

Ref#	Part#	Description	Price
	104872	Cable assembly, remote display	Consult
1	93215	Lens, remote display red	Consult
2	108731	Enclosure housing, low	Consult
3	104292	Spacer, brass 0.25 diameter	Consult
4	93561	Board, printed circuit	Consult
5	108735	Standoff, female to female 8-32NC	Consult
6	108732	Back plate, low profile	Consult
7	108733	Screw, MACH 8-32NC x 3/16	Consult
9	15134	Washer, lock no. 8 type A	Consult
10	108934	Nut, wing 8-32	Consult

(See Diagram A)



Diagram A

Display, Panel Mount RD-1 and RD-2

Tracer Airline Baggage Scale Display

Part Number/Price

Ref#	Part#	Description	Price
RD-1			
1	93559	Front panel assembly, remote	Consult
2	93215	Lens, remote display red	Consult
3	104292	Spacer, brass 0.25 diameter	Consult
4	93561	Board, printed circuit	Consult
5	14626	Nut, kep 8-32NC HEX	Consult
6	93213	Enclosure, back cover	Consult
8	15134	Washer, lock no. 8 type A	Consult
9	108934	Nut, wing 8-32	Consult
	104872	Cable assembly, remote display	Consult
RD-2			
1	167183	Front panel assembly	Consult
2	166485	Remote display lens	Consult
4	163879	Board, printed circuit	Consult
6	164384	Back cover enclosure	Consult
	104872	Cable assembly	Consult

(See Diagram B)



Diagram B

Retail

TABLE OF CONTENTS

RICE LAKE RS-130	284
<i>Standard Model</i>	
RICE LAKE RS-130/RS-160	286
<i>Bench</i>	
RICE LAKE RS-130/RS-160	288
<i>Pole</i>	
ISHIDA ASTRA	290
<i>Standard Model</i>	
ISHIDA ASTRA	294
<i>Pole Display Model</i>	
ISHIDA ASTRA II	298
<i>Bench</i>	
ISHIDA ASTRA II	302
<i>Pole</i>	

RETAIL

Rice Lake RS-130

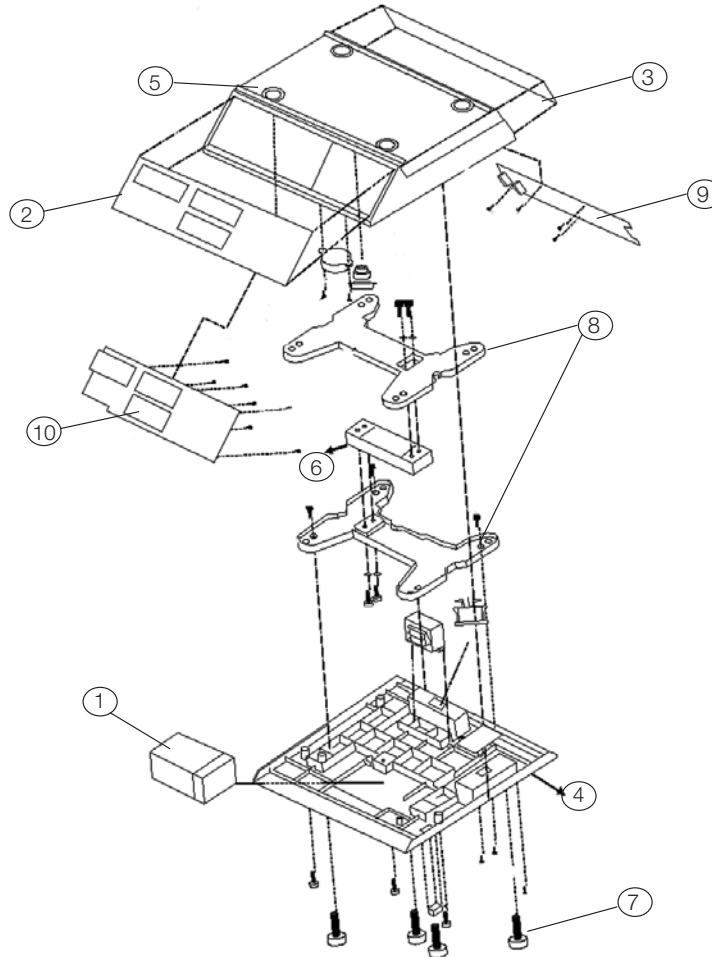
Standard Model



Part Number/Price

Ref#	Part#	Description	Price
--	85709	Keypad cover and switch panel overlay	Consult
1	85710	Rechargeable battery	Consult
--	85711	In use dust cover	Consult
2	85712	Front display-overlay (operator)	Consult
--	93900	Front display-overlay, Canadian (operator)	Consult
3	85713	Rear display-overlay (customer)	Consult
--	93901	Rear display-overlay, Canadian (customer)	Consult
4	85714	Base plate (molded plastic)	Consult
5	85715	Upper cover (molded plastic)	Consult
6	50624	Load cell, 20 kg	Consult
7	85716	Foot	Consult
--	15438	Power cord	Consult
--	85718	Power switch (on/off type)	Consult
8	85721	Load cell spider	Consult
9	85723	Rear-display PCB	Consult
10	87711	Main PCB (with keyboard tare function)	Consult
--	100229	Main PCB (Canadian, no ounces)	Consult
--	92714	Main PCB (with RS-232C output RS130 with RS-232)	Consult
--	126004	RS-232 junction board for use with PN92714	Consult
--	88574	Plastic platter	Consult
--	88575	Stainless steel platter	Consult
--	115263	Sealing pin	Consult
--	115927	Level bubble	Consult

(See Diagram RS-130)



RS-130

Retail Scales

RETAIL

Rice Lake RS-130/RS-160

Bench



RS-130



RS-160

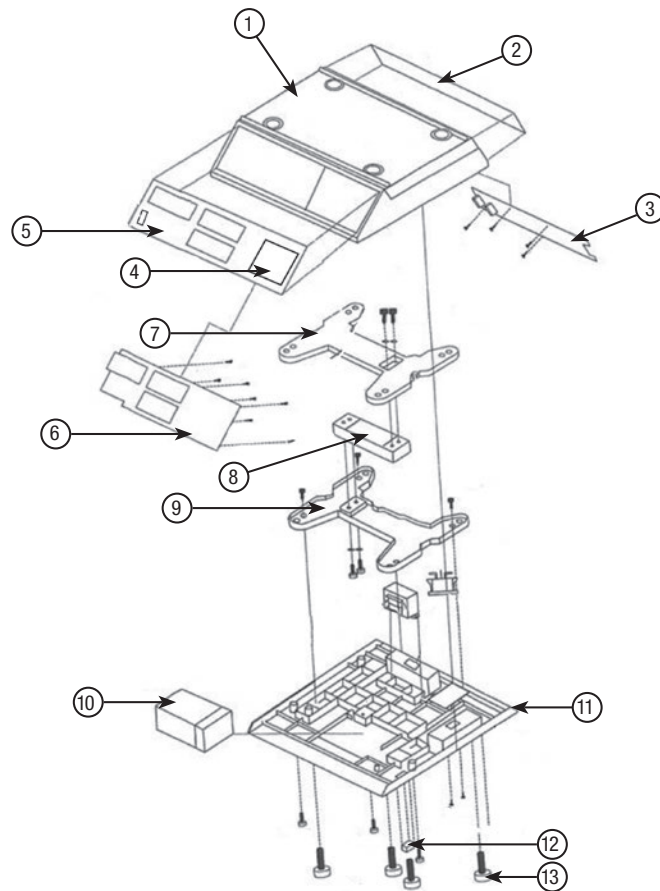
Part Number/Price

Ref #	Part #	Description	Price
1	85715	Upper plastic cover	Consult
2	170020	Rear display overlay, RS-130	Consult
	170021	Rear display overlay, RS-160	Consult
3	171653	Rear display, PCB, 30 lb	Consult
	171698	Rear display, PCB, 60 lb	Consult
	170013	Keyboard (2 piece kit)	Consult
5	170018	Front display overlay, RS-130	Consult
	170019	Front display overlay, RS-160	Consult
6	165162	Main board, 30 lb	Consult
	171697	Main board, 60 lb	Consult
7	171656	Upper aluminum structure	Consult
8	50624	Load cell, 20 kg	Consult
9	171657	Base aluminum structure	Consult
10	85710	Rechargeable battery	Consult
11	85714	Base plastic plate	Consult
12	85718	Power switch	Consult
13	85716	Rubber foot	Consult
14	175421	AC base seat	Consult
	23143	Power cord	Consult
	85711	Dust cover	Consult
	88574	Plastic platter	Consult
	88575	Stainless steel cover for the platter	Consult
15	178072	Transformer	Consult
	178058	Replacement Backlight	Consult
	170262	CPU, Eprom RS-130	Consult
	178057	CPU, Eprom RS-160	Consult
	115263	Plastic sealing pin	Consult
	115927	Level bubble	Consult
	178059	17 pin LCD display	Consult

(See Diagram RS-130/160 Bench)

Retail Scales

RETAIL
Rice Lake RS-130/RS-160
Bench



RS-130/RS-160 Bench

Retail Scales

RETAIL

Rice Lake RS-130/RS-160

Pole



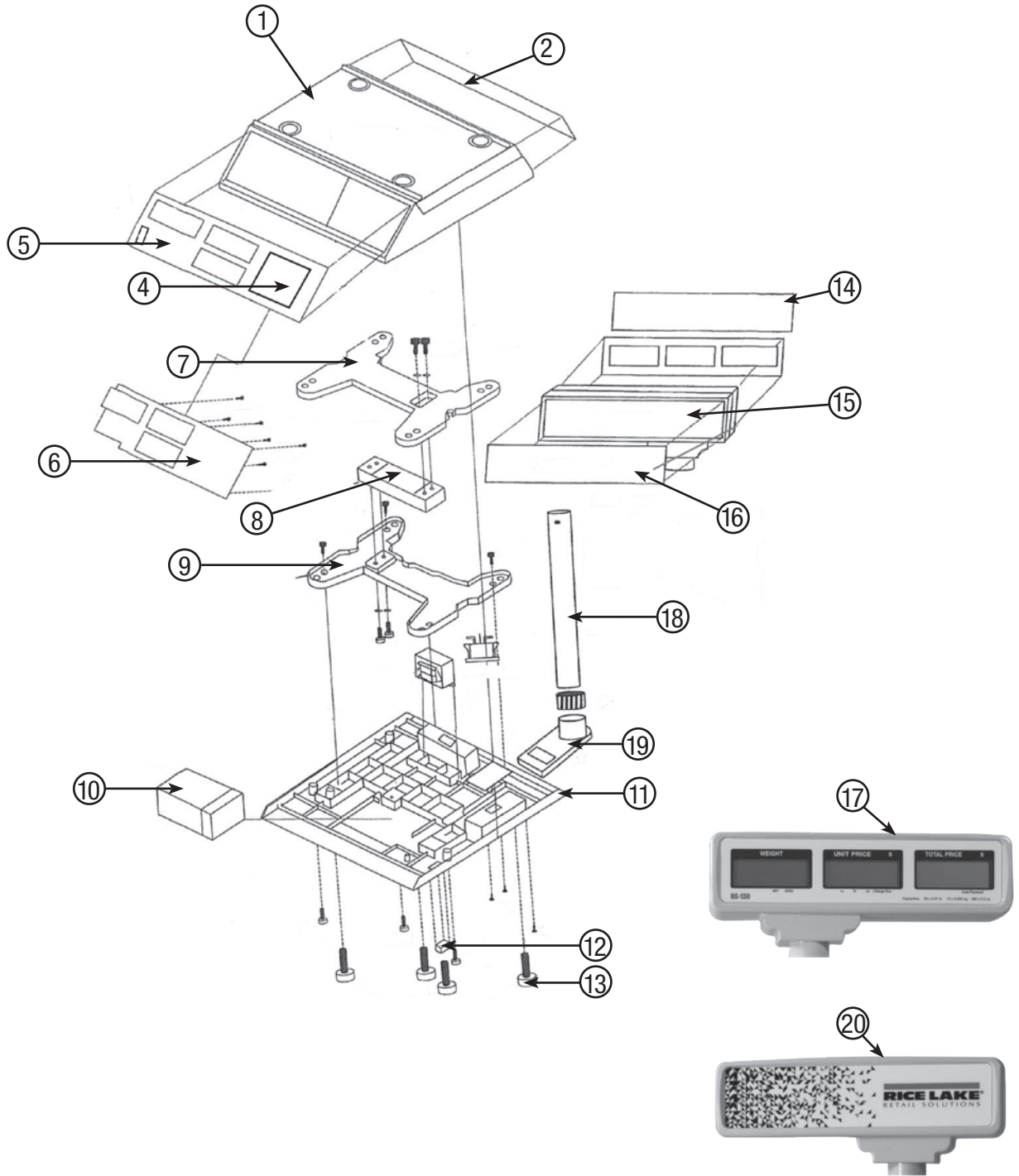
RS-130

Part Number/Price

Ref #	Part #	Description	Price
1	85715	Upper plastic cover	Consult
2	170025	Rear display overlay, RS-130/RS-160	Consult
4	170013	Keyboard (2 piece kit)	Consult
5	170018	Operator display overlay, RS-130	Consult
	170019	Operator display overlay, RS-160	Consult
6	165162	Main board, 30 lb	Consult
	171697	Main board, 60 lb	Consult
7	171656	Upper aluminum structure	Consult
8	50624	Load cell, 20 kg	Consult
9	171657	Base aluminum structure	Consult
10	85710	Rechargeable battery	Consult
11	85714	Base plastic plate	Consult
12	85718	Power switch	Consult
13	85716	Rubber foot	Consult
14	170023	Front pole display overlay, RS-130	Consult
	170024	Front pole display overlay, RS-160	Consult
15	170012	Rear pole display, PCB, 30 lb	Consult
	171699	Rear pole display, PCB, 60 lb	Consult
16	170022	Rear display cover, overlay, operator side	Consult
17	171654	Pole plastic cover, customer side	Consult
18	171659	Stainless steel tube	Consult
19	171658	Indicator plastic tube support	Consult
20	171655	Pole plastic cover, operator side	Consult
	175421	AC base seat	Consult
	23143	Power cord	Consult
	85711	Dust cover	Consult
	88574	Plastic platter	Consult
	88575	Stainless steel cover for the platter	Consult
	TF001	Transformer	Consult
	BK001	Backlight kit	Consult
	170262	CPU	Consult
	115263	Plastic sealing pin	Consult
	115927	Level bubble	Consult

Retail Scales

RETAIL
Rice Lake RS-130/RS-160
 Pole



Retail Scales

RS-130/RS-160 Pole

RETAIL

Ishida Astra

Standard Model



Part Number/Price

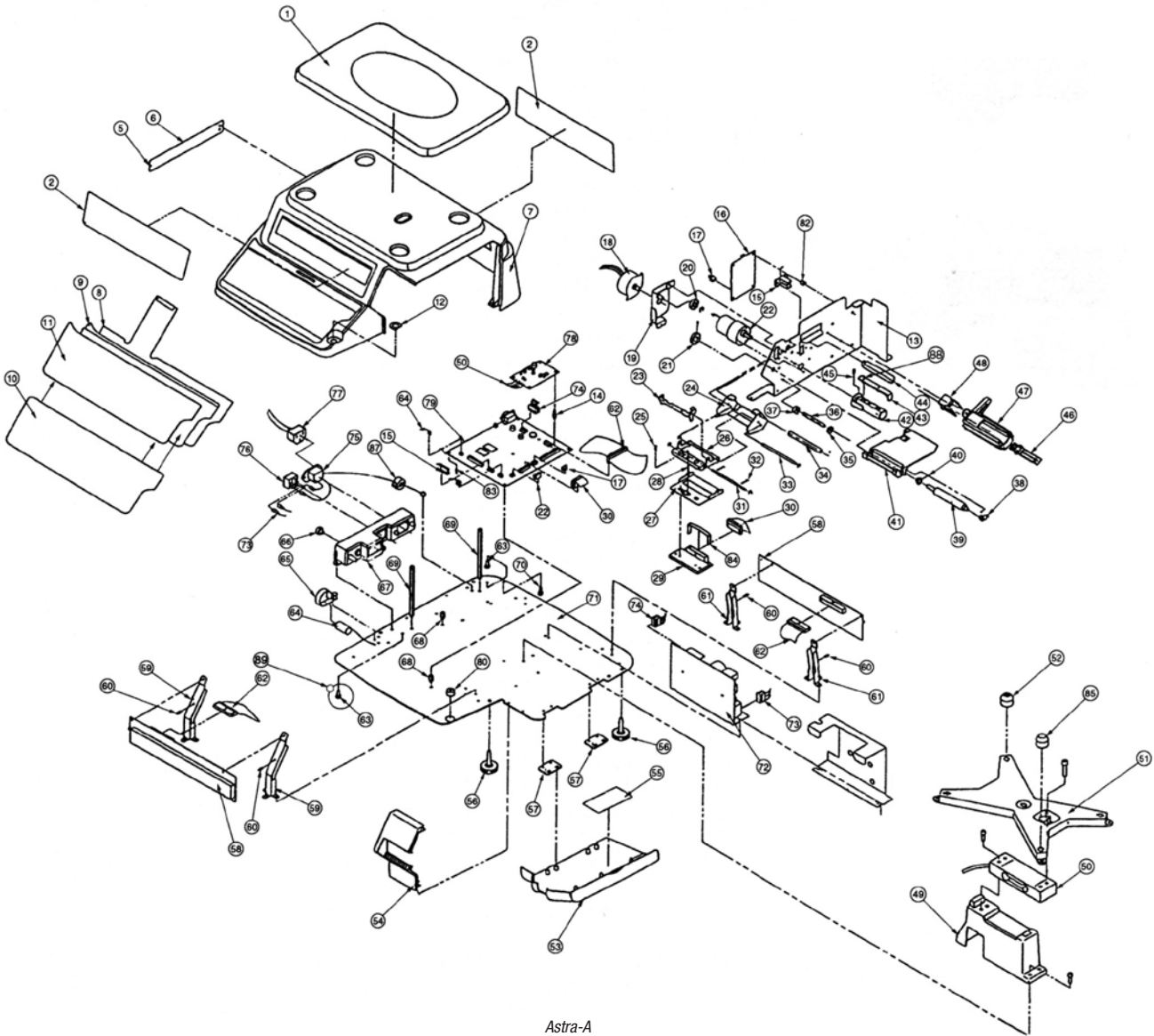
Ref#	Part#	Description	Synonym	Price
1	66343	Platter	89-3007-05	Consult
2	66344	Sheet, rear display panel	89-2843-18	Consult
5	42734	Push rivet	00-4761-06	Consult
6	66345	Nameplate, specification	89-2949-19	Consult
7	66346	Case, upper	89-2689-01	Consult
8	66347	Keyboard, membrane, contacts only	89-2852-02	Consult
9	66348	Sheet, keyboard, programming keyboard overlay adhesive back	89-2811-00	Consult
10	66349	Keysheet, operator, insert	89-2813-07	Consult
11	66350	Keysheet, clear with adhesive	89-2846-19	Consult
12	66351	Sticker, level, bubble	89-2802-15	Consult
13	66352	Frame, printer	89-2701-21	Consult
14	66353	Standoff, A/D support	89-2714-01	Consult
15	66354	Sensor, label gap	89-2241-16	Consult
16	66355	DC/DC converter	89-2796-07	Consult
17	66356	Harness, S2, DC/DC	89-2782-14	Consult
18	66357	Motor, stepping print roller drive	89-2735-00	Consult
19	66358	Bracket, stepping, motor	89-2703-29	Consult
20	66359	Gear, stepping motor	89-2777-15	Consult
21	66360	Gear, print roller	89-2705-17	Consult
22	66361	Motor, label rewind	89-2997-18	Consult
23	66362	Bracket, printhead release	89-2713-26	Consult
24	66363	Bracket, frame, printhead	89-2707-23	Consult
25	45145	Step, screw, pan	36-0942-00	Consult
26	66364	Bracket, printhead lock	89-2709-11	Consult
27	66365	Bracket, printhead	89-2710-16	Consult
28	45203	Spring, coil, compressive	00-6375-09	Consult
29	45237*	Printhead, thermal	36-2636-16	Consult
--	48239	Screw, button head, M3 x 6, printhead mount	00-0438-08	Consult
30	66366	Cable, printhead	89-2534-08	Consult
31	45222	Shaft, lock	49-6373-12	Consult
32	45206	Spring, coil, tension	00-6377-06	Consult
33	45221	Shaft, fulcrum	00-6168-04	Consult
34	45188	Threaded rod, round, FF	36-2507-00	Consult
35	45201	Guide, label, outside	20-2507-00	Consult
36	45223	Threaded rod, round, FF	50-6308-04	Consult
37	66367	Guide, label, inside	89-2861-06	Consult
38	66368	Bushing, right, print roller	89-2776-21	Consult
39	66369	Roller, printer	89-2704-13	Consult
40	66370	Bushing, left, print roller	89-2706-01	Consult
41	66371	Plate, label with peeling bar	89-2702-25	Consult
42/43	105437	Label take-up kit, reel and lever (without screws)		Consult
44	66374	Label press	89-2774-23	Consult
45	66375	Screw, set screw, M3 x 6	89-2860-02	Consult
46	66376	Guide, label lever	89-2858-04	Consult
47	66377	Reel, label supply	89-2778-19	Consult
48	66378	Reel, label supply holder	89-2830-01	Consult
49	66379	Bracket, load cell	89-2695-22	Consult
50	44414 †	Load cell, C2G1-25K	89-0643-03	Consult
51	44410	Platter support	89-1884-08	Consult
52	44406	Rubber, platter support	89-1631-11	Consult

* Same as Ishida 3000 Series

† Same as Ishida Nova-II (30lb)

(See Diagram Astra-A)

Retail Scales



Astra-A

Retail Scales

RETAIL

Ishida Astra

Standard Model



Part Number/Price

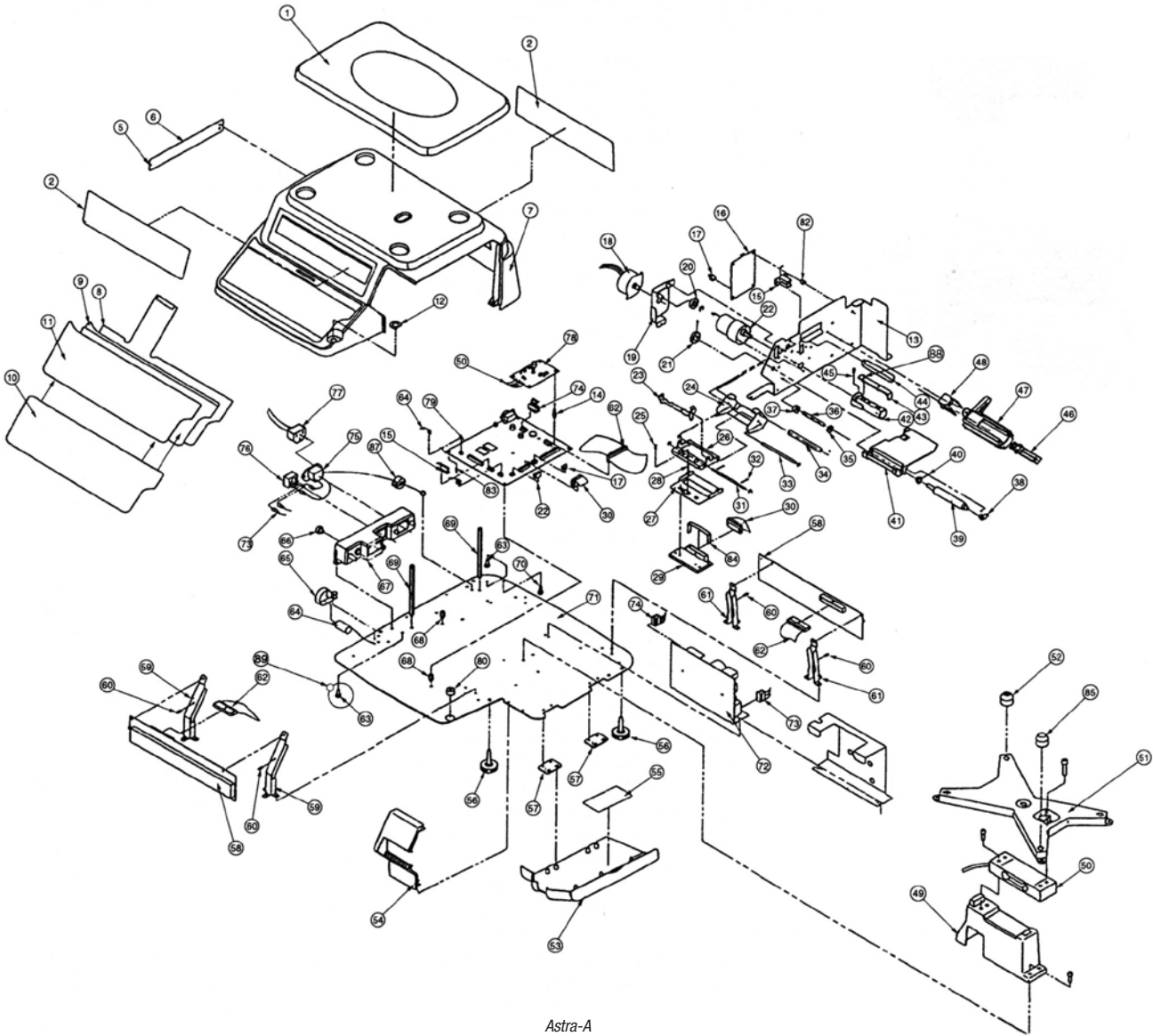
Ref#	Part#	Description	Synonym	Price
53	66380	Cover, printer door	89-2690-06	Consult
54	66381	Cover, front, printhead	89-2691-19	Consult
55	66382	Sticker, label roll loading	89-2854-19	Consult
56	44423*	Leg, adjusting,	23-3052-05	Consult
57	66383	Hinge, printer door	89-2694-29	Consult
58	66384	Board, display, PK-221	89-2793-06	Consult
59	66385	Bracket, display, front	89-2697-11	Consult
60	66386	Standoff display	89-2708-09	Consult
61	66387	Bracket, display, rear	89-2698-14	Consult
62	66389	Cable, S3, display	89-2784-02	Consult
63	45128	Screw, sealing, brass	00-6609-00	Consult
64	66388	Battery	89-2827-09	Consult
65	66390	Clamp, battery	89-2678-01	Consult
66	44474	Screw, sealing, nylon	89-2025-09	Consult
67	66391	Bracket, case, connector	89-2693-25	Consult
68	66392	Standoff, main board	89-2699-18	Consult
69	66393	Standoff, overload	89-2700-00	Consult
70	66394	Screw, sealing, brass, self tapping	89-2832-08	Consult
71	66395	Base, base plate	89-2688-26	Consult
72	77975	Power supply, switching, SWD100P	102-9575-06	Consult
--	77889	Fuse, power supply, 5A, 250V, 5x20		Consult
73	66396	Cable, C3, power	89-2786-00	Consult
74	47073	Harness, S2, PS	47-3677-19	Consult
75	66397	Socket assembly, C4, power cord	89-2785-24	Consult
76	66398	Switch, power	89-0349-17	Consult
77	15438	Power cord		Consult
78	66399	Board, A/D, PK-219	89-2637-17	Consult
79	66400	Board, main, PK-220A	89-6391-07	Consult
80	44425	Level, Unit	89-0914-02	Consult
82	66419	Standoff, DC/DC converter	89-2859-08	Consult
83	66420	Standoff, mainboard	89-2677-07	Consult
84	66401	Clip retainer, printhead	89-2973-37	Consult
85	66402	Rubber, plate support, solid	89-3006-01	Consult
87	66403	Filter, ferrite	66-7687-02	Consult
88	42714	Screw, pan head tapping M4x8	00-0442-03	Consult
89	42735	Sealing stamp	22-3922-08	Consult

* Same as Ishida 3000 Series

† Same as Ishida Nova-II (30lb)

(See Diagram Astra-A)

Retail Scales



Astra-A

Retail Scales

RETAIL

Ishida Astra

Pole Display Model

Discontinued



Part Number/Price

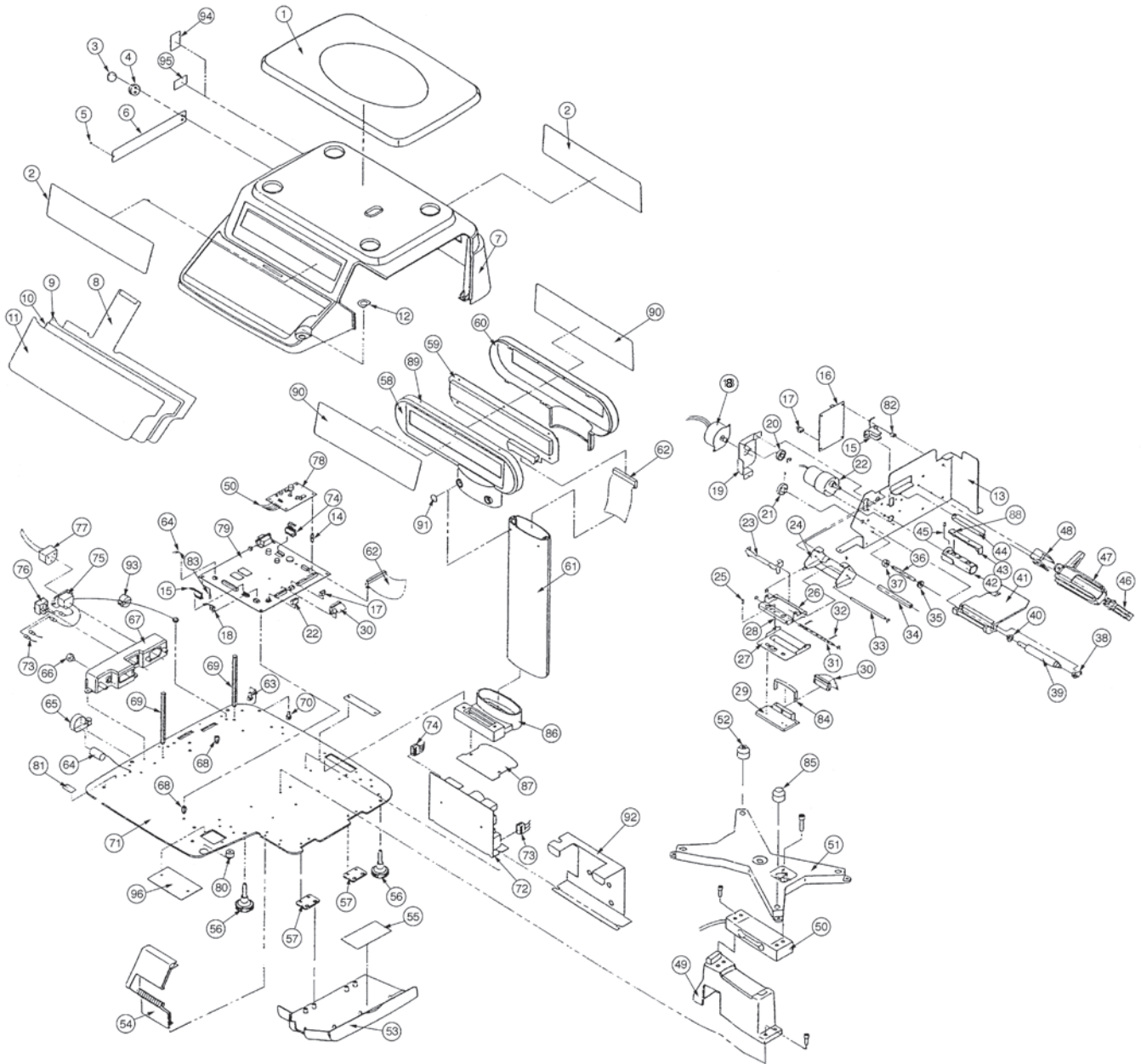
Ref#	Part#	Description	Synonym	Price
1	83777	Platter	89-3317-00	Consult
1	83781	Backstop for platter	89-3316-06	Consult
2	68944	Filter, display panel	89-3265-00	Consult
5	42734	Push rivet	00-4761-06	Consult
6	66345	Nameplate, specification	89-2949-19	Consult
7	66346	Case, upper	89-2689-01	Consult
8	66347	Keyboard, membrane, contacts only	89-2852-02	Consult
9	66348	Sheet, keyboard, programming keyboard overlay adhesive back	89-2811-00	Consult
10	66349	Keysheet, operator, insert	89-2813-07	Consult
11	66350	Keysheet, clear with adhesive	89-2846-19	Consult
12	66351	Sticker, level, bubble	89-2802-15	Consult
13	66352	Frame, printer	89-2701-21	Consult
14	66353	Standoff, A/D support	89-2714-01	Consult
15	66354	Sensor, label gap	89-2241-16	Consult
16	66355	DC/DC converter	89-2796-07	Consult
17	66356	Harness, S2, DC/DC	89-2782-14	Consult
18	66357	Motor, stepping print roller drive	89-2735-00	Consult
19	66358	Bracket, stepping, motor	89-2703-29	Consult
20	66359	Gear, stepping motor	89-2777-15	Consult
21	66360	Gear, print roller	89-2705-17	Consult
22	66361	Motor, label rewind	89-2997-18	Consult
23	66362	Bracket, printhead release	89-2713-26	Consult
24	66363	Bracket, frame, printhead	89-2707-23	Consult
25	45145	Step, screw, pan	36-0942-00	Consult
26	66364	Bracket, printhead lock	89-2709-11	Consult
27	66365	Bracket, printhead	89-2710-16	Consult
28	45203	Spring, coil, compressive	00-6375-09	Consult
29	45237*	Printhead, thermal	36-2636-16	Consult
--	48239	Screw, button head, M3x6, printhead mount	00-0438-08	Consult
30	66366	Cable, printhead	89-2534-08	Consult
31	45222	Shaft, lock	49-6373-12	Consult
32	45206	Spring, coil, tension	00-6377-06	Consult
33	45221	Shaft, fulcrum	00-6168-04	Consult
34	45188	Threaded rod, round, FF	36-2507-00	Consult
35	45201	Guide, label, outside	20-2507-00	Consult
36	45223	Threaded rod, round, FF	00-6173-03	Consult
37	66367	Guide, label, inside	89-2861-06	Consult
38	66368	Bushing, right, print roller	89-2776-21	Consult
39	66369	Roller, printer	89-2704-13	Consult
40	66370	Bushing, left, print roller	89-2706-01	Consult
41	66371	Plate, label	89-2702-25	Consult
42/43	105437	Label take-up kit, reel and lever (without screws)		Consult
44	66374	Label press	89-2774-23	Consult
45	66375	Screw, set screw, M3x6	89-2860-02	Consult
46	66376	Guide, label lever	89-2858-04	Consult
47	66377	Reel, label supply	89-2778-19	Consult
48	66378	Reel, label supply holder	89-2830-01	Consult
49	66379	Bracket, load cell	89-2695-22	Consult
50	44414 †	Load cell, C2G1-25K	89-0643-03	Consult
51	44410	Platter support	89-1884-08	Consult
52	44406	Rubber, platter support	89-1631-11	Consult

* Same as Ishida 3000 Series

† Same as Ishida Nova-II (30 lb)

(See Diagram Astra-B)

Retail Scales



Astra-B

Retail Scales

RETAIL

Ishida Astra

Pole Display Model



Part Number/Price

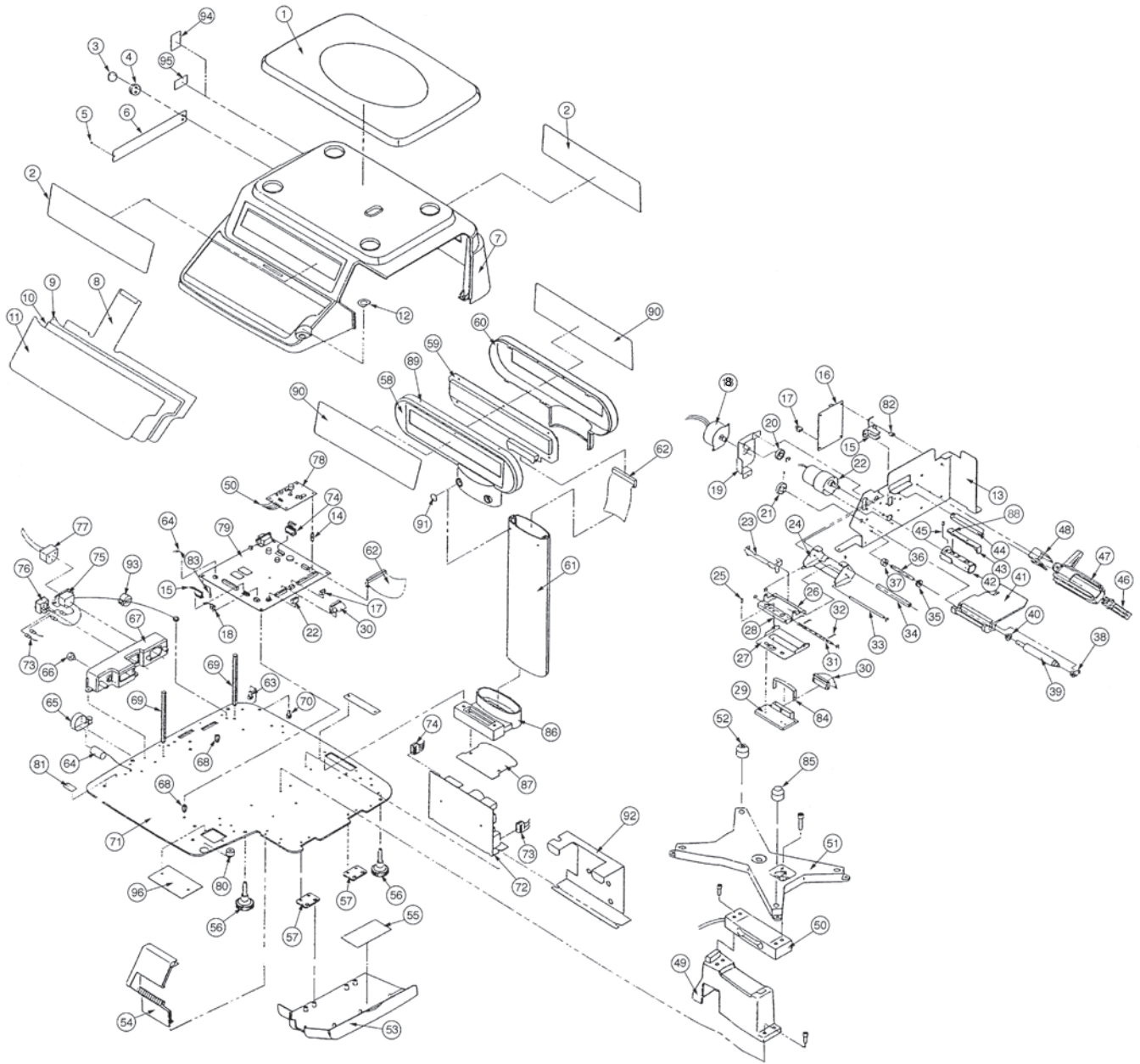
Ref#	Part#	Description	Synonym	Price
53	66380	Cover, printer door	89-2690-06	Consult
54	66381	Cover, front, printhead	89-2691-19	Consult
55	66382	Sticker, label roll loading	89-2854-00	Consult
56	68946	Leg, adjusting	89-3059-09	Consult
57	66383	Hinge, printer door	89-2694-29	Consult
58	68947	Case, front	89-3054-01	Consult
59	68948	PWB, display	89-3064-08	Consult
60	68949	Case, rear	89-3055-04	Consult
61	68950	Pole stand	89-3310-04	Consult
62	68945	Harness, S2, display	89-3105-07	Consult
63	45128	Screw, sealing, brass	00-6609-00	Consult
64	66388	Battery	89-2827-09	Consult
65	66390	Clamp, battery	89-2678-01	Consult
66	44474	Screw, sealing, nylon	89-2025-09	Consult
67	66391	Bracket, case, connector	89-2693-25	Consult
68	66392	Standoff, main board	89-2699-18	Consult
69	66393	Standoff, overload	89-2700-00	Consult
70	66394	Screw, sealing, brass, self tapping	89-2832-08	Consult
71	68953	Base, base plate	89-2688-53	Consult
72	77975	Power supply, switching, SWD100P	102-9575-06	Consult
--	77889	Fuse, power supply, 5A, 250V, 5x20		Consult
73	66396	Cable, C3, power	89-2786-00	Consult
74	47073	Harness, S2, PS	47-3677-19	Consult
75	66397	Socket assembly, C4, power cord	89-2785-24	Consult
76	66398	Switch, power	89-0349-17	Consult
77	15438	Power cord		Consult
78	66399	Board, A/D, PK-219	89-2637-08	Consult
79	66400	Board, main, PK-220A	89-6391-07	Consult
80	44425	Level, Unit	89-0914-02	Consult
81	Consult	Sticker, caution		Consult
82	66419	Standoff, DC/DC converter	89-2859-08	Consult
83	66420	Standoff, mainboard	89-2677-07	Consult
84	66401	Clip retainer, printhead	89-2973-28	Consult
85	66402	Rubber, plate support, solid	89-3006-01	Consult
86	68952	Bracket, pole	89-3056-08	Consult
87	68951	Cover, bracket	89-3321-05	Consult
88	44424	Plate A (Obsolete)	89-0665-05	Consult
89	45174	Push rivet (Obsolete)	36-3442-05	Consult
90	66344	Sheet, display panel	89-2843-18	Consult
91	46950	Cap	40-1374-03	Consult
94	Consult	UL sticker	89-2798-04	Consult
96	Consult	Plate A, module	89-3414-08	Consult
97	42714	Screw, pan head tapping, M4 x 8	00-0442-03	Consult
98	42735	Sealing stamp	22-3922-02	Consult

* Same as Ishida 3000 Series

† Same as Ishida Nova-II (30lb)

(See Diagram Astra-B)

Retail Scales



Astra-B

RETAIL

Ishida Astra II

Bench

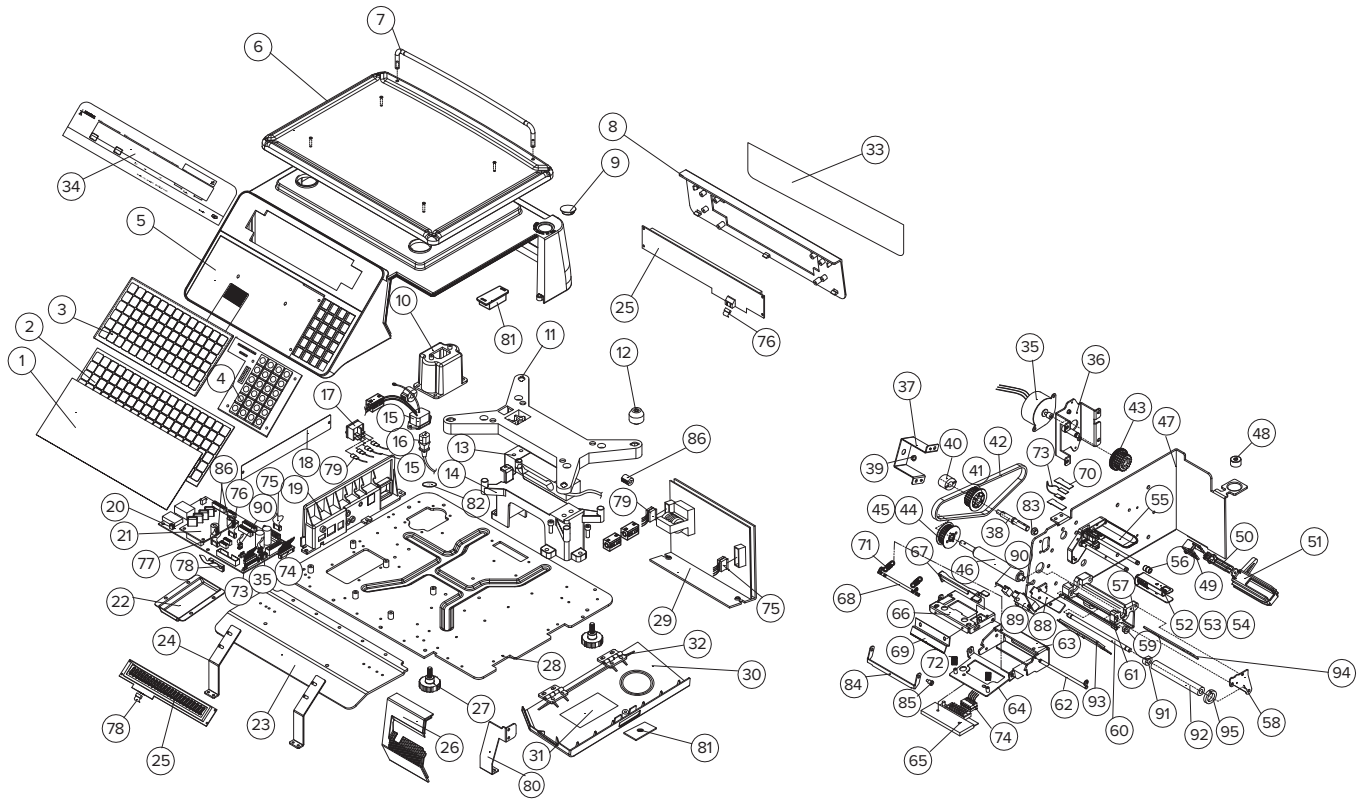


Part Number/Price

Ref #	Part #	Description	Synonym	Price
1	169722	Sheet, keyboard, transparent	000-901-2366-10	Consult
2	169723	Edit-keysheet	000-901-3806-06	Consult
3	169724	Membrane keypad	000-901-2364-03	Consult
—	170916	Keysheet, operation insert		Consult
4	169725	PWB, PS-068, tactile keys	000-901-2456-02	Consult
5	181179	Case	000-901-3796-02	Consult
6	169727	Platter	000-900-9218-10	Consult
7	169728	Guard	000-900-9217-07	Consult
8	181183	Cover, customer	000-901-3808-03	Consult
9	102812	Lens	000-900-1056-14	Consult
10	Consult	Support, power outlet	000-901-3795-09	Consult
11	Consult	Plate, support	000-900-0014-23	Consult
12	44406	Rubber, platter support, 1	000-900-0016-49	Consult
13	80963	Load cell, 30 lb, C2G1-25K-S18	000-900-2490-11	Consult
14	Consult	Base	000-900-9201-17	Consult
15	80969	Harness, C4, power	000-900-2842-37	Consult
16	80991	Power cord	000-900-3335-11	Consult
17	66398	Switch	000-900-0305-09	Consult
19	Consult	Cover, connector	000-901-3797-06	Consult
20	169730	PWB, PS-990, G-2 2M, CPU board	000-901-2410-11	Consult
21	169729	PWB, PS-067, A/D board	000-901-2446-14	Consult
22	169731	Cover, base	000-901-1298-07	Consult
23	Consult	Base, 02	000-901-2301-18	Consult
24	Consult	Bracket, display	000-901-1291-01	Consult
25	169783	Display, LCD	000-901-3971-08	Consult
26	169733	Cover, printer, front	000-901-3798-00	Consult
27	79432	Foot, level	000-900-0025-15	Consult
28	Consult	Base, 01	000-901-2300-05	Consult
29	107707	Power supply, LFS100-24	000-089-5503-03	Consult
30	169734	Cover, printer, side	000-901-3799-03	Consult
31	169735	Nameplate, printer	000-901-3973-14	Consult
32	66383	Hinge	000-900-4296-03	Consult
33	192538	Sheet, display	Consult	Consult
34	192537	Sheet, display	Consult	Consult
35	179441	Motor, stepping, 49P048LO-00702	000-901-3866-19	Consult
36	Consult	Bracket, motor	000-901-1295-24	Consult
37	Consult	Bracket, 01	000-901-1296-37	Consult
38	Consult	Axis, rewind	000-901-2397-33	Consult
39	Consult	Bush	000-901-4481-03	Consult
40	Consult	Bush, OLTC6-1500C	000-901-4494-01	Consult
41	179442	Gear, rewind	000-901-2360-36	Consult
42	179443	Timing belt, 3M-HTD-330	000-901-2435-04	Consult
43	179444	Gear, dual	000-901-2357-07	Consult
44	179445	Gear, drive	000-901-2358-01	Consult
45	179446	Cover, gear, drive	000-901-2359-04	Consult
46	169737	Roller, rubber	000-901-0040-00	Consult
47	Consult	Frame, printer	000-901-1293-36	Consult
	66394	Seal screw		Consult

Retail Scales

RETAIL
Ishida Astra II
 Bench



Retail Scales

RETAIL

Ishida Astra II

Bench

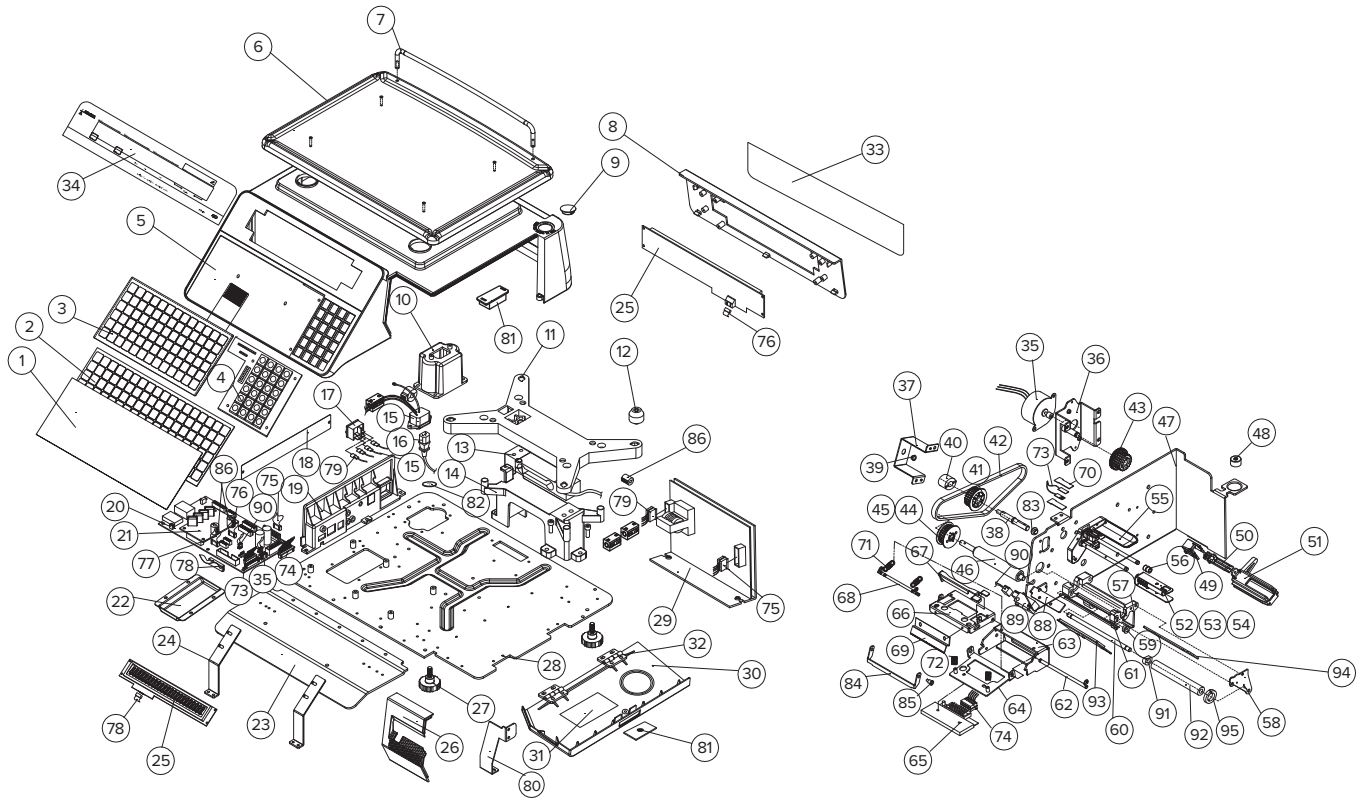


Part Number/Price

Ref #	Part #	Description	Synonym	Price
48	44425	Level unit	000-900-5727-05	Consult
49	66378	Holder, guide, label	000-089-2830-01	Consult
50	66376	Lever, guide, label	000-089-2858-04	Consult
51	Consult	Holder, label	000-089-6667-04	Consult
52	185465	Bracket	000-901-4499-19	Consult
53	185467	Spring, bobbin	000-900-6740-08	Consult
54	185468	Shaft, bobbin	000-900-8333-20	Consult
55	Consult	Support, NL	000-900-9359-11	Consult
56	Consult	Axle bush	000-900-9361-10	Consult
57	Consult	Support, roll, NL	000-900-9358-36	Consult
58	Consult	Cover, NL	000-900-9360-25	Consult
59	66370	Bush, left	000-900-0894-06	Consult
60	Consult	Axis, 01	000-900-9363-17	Consult
61	Consult	Axis, 02	000-901-3774-01	Consult
62	45221	Shaft, 1	000-900-0844-19	Consult
63	192246	Frame, head	000-900-9205-39	Consult
64	191529	Bracket, head	000-900-9206-16	Consult
65	119169	Thermal head, CHX56-8359	000-901-5061-06	Consult
66	192247	Bracket, lock	000-900-9207-37	Consult
67	177790	Bracket, push	000-900-9208-03	Consult
68	188153	Axis, hold	000-900-9223-00	Consult
69	188153	Tear bar	000-900-6722-01	Consult
70	Consult	Bracket, sensor	000-900-9364-01	Consult
71	45203	Spring coil, 1	000-900-0848-04	Consult
72	45206	Tension spring	000-900-0849-08	Consult
73	104832	Label sensor assembly	000-900-5225-02	Consult
73.1	Consult	Harness, C5, label sensor	000-900-0989-06	Consult
73.2	Consult	LED IR928 6C	000-900-2127-00	Consult
73.3	Consult	Photo TR PT928 6B	000-900-2128-03	Consult
74	104267	Harness, S2, thermal head	000-900-2840-21	Consult
75	47073	Harness, S2, power	000-900-0286-11	Consult
76	170778	Harness, C3, display	000-901-2444-08	Consult
77	170779	Harness, S2, display	000-901-2399-03	Consult
78	170780	Harness, S2, keyboard	000-901-2312-19	Consult
79	66396	Harness, C3, power	000-900-2841-06	Consult
80	Consult	Bracket, printer	000-901-1292-05	Consult
81	Consult	Bracket, magnet	000-901-5062-00	Consult
82	Consult	Label, GND cord	000-900-1338-05	Consult
83	Consult	Bush, CSB-EPBF-0608-04	000-901-3953-01	Consult
84	Consult	Bracket, cutter	000-901-3781-07	Consult
85	Consult	Screw, cutter	000-901-3960-25	Consult
86	Consult	Ferrite, core	000-900-0730-09	Consult
88	193312	Bracket, peel sensor	000-901-5065-01	Consult
89	179447	Photo interrupter, reflector	000-078-0604-01	Consult
90	Consult	Harness, peel sensor, L-160MM	000-901-5063-03	Consult
91	Consult	Bush	000-901-4488-09	Consult
92	Consult	Shaft, POM	000-901-4487-05	Consult
93	Consult	Bracket, peel off	000-901-4484-13	Consult
94	Consult	Bracket, fixed	000-901-4485-17	Consult
95	Consult	Label guide	000-901-4486-01	Consult
96	Consult	Magnet	000-901-3743-05	Consult
97	Consult	Bracket, base cover	000-901-1297-01	Consult

Retail Scales

RETAIL
Ishida Astra II
 Bench



Retail Scales

RETAIL

Ishida Astra II

Pole



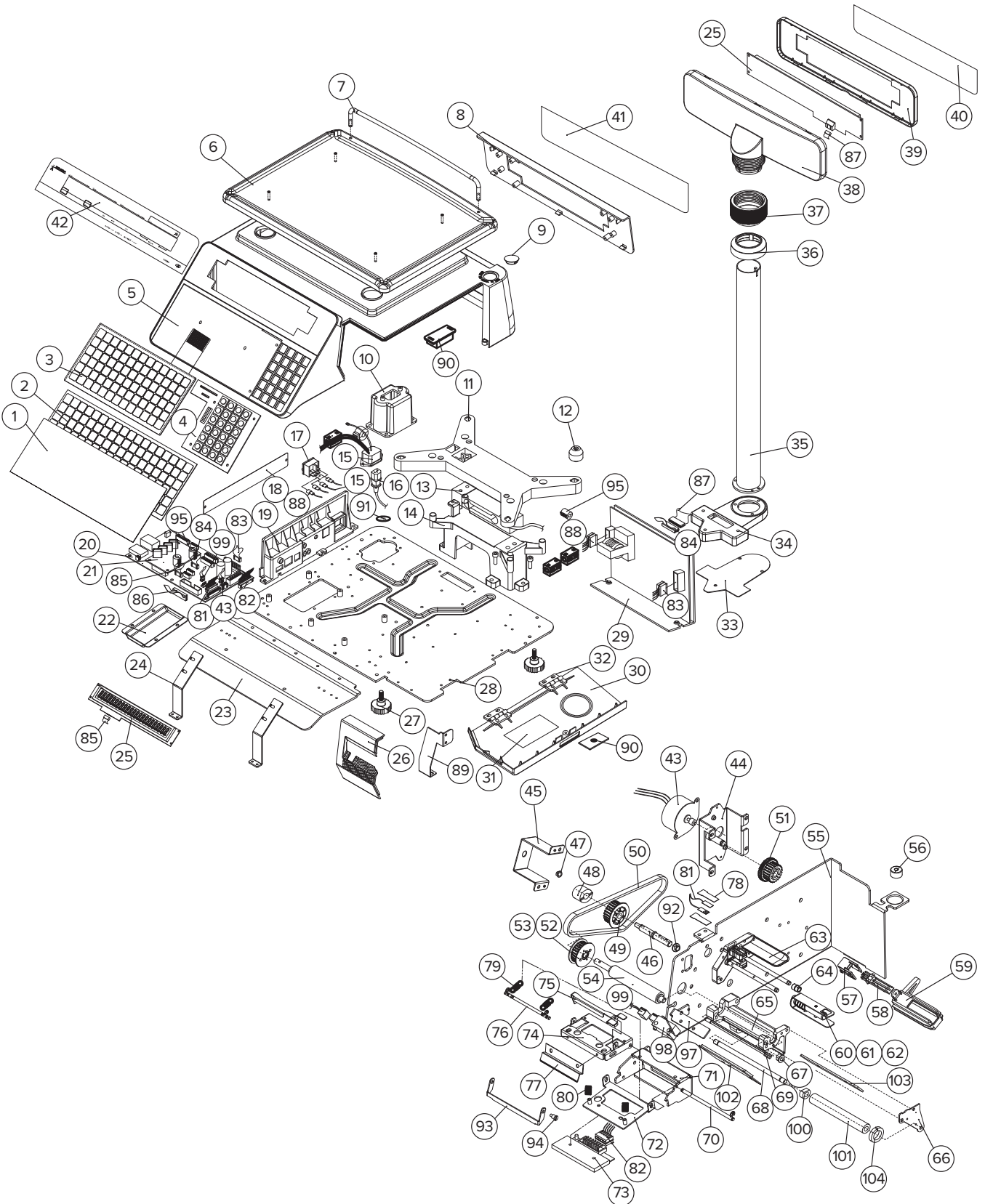
Part Number/Price

Ref #	Part #	Description	Synonym	Price
1	169722	Sheet, keyboard, transparent	000-901-2366-10	Consult
2	169723	Edit-keysheet	000-901-3806-06	Consult
3	169724	Membrane keypad	000-901-2364-03	Consult
—	170916	Keysheet, operation insert		Consult
4	169725	PWB, PS-068, tactile keys	000-901-2456-02	Consult
5	181179	Case	000-901-3796-02	Consult
6	169727	Platter	000-900-9218-10	Consult
7	169728	Guard	000-900-9217-07	Consult
8	181183	Cover, customer	000-901-3808-03	Consult
9	102812	Lens	000-900-1056-14	Consult
10	Consult	Support, power outlet	000-901-3795-09	Consult
11	Consult	Plate, support	000-900-0014-23	Consult
12	44406	Rubber, platter support, 1	000-900-0016-49	Consult
13	80963	Load cell, 30 lb, C2G1-25K-S18	000-900-2490-11	Consult
14	Consult	Base	000-900-9201-17	Consult
15	80969	Harness, C4, Power	000-900-2842-37	Consult
16	80991	Power cord	000-900-3335-11	Consult
17	66398	Switch	000-900-0305-09	Consult
19	Consult	Cover, connector	000-901-3797-06	Consult
20	169730	PWB, PS-990, G-2 2M, CPU board	000-901-2410-11	Consult
21	169729	PWB, PS-067, A/D board	000-901-2446-14	Consult
22	169731	Cover, base	000-901-1298-07	Consult
23	Consult	Base, 02	000-901-2301-18	Consult
24	Consult	Bracket, display	000-901-1291-01	Consult
25	169783	Display, LCD	000-901-3971-08	Consult
26	169733	Cover, printer, front	000-901-3798-00	Consult
27	79432	Foot level	000-900-0025-15	Consult
28	Consult	Base, 01	000-901-2300-05	Consult
29	107707	Power supply, LFS100-24	000-089-5503-03	Consult
30	169734	Cover, printer, side	000-901-3799-03	Consult
31	169735	Nameplate, printer	000-901-3973-14	Consult
32	66383	Hinge	000-900-4296-03	Consult
33	Consult	Bracket, pole base	000-901-2361-02	Consult
34	Consult	Pole base	000-901-2356-12	Consult
35	Consult	Pole	000-901-3782-10	Consult
36	Consult	Cover, pole base	000-901-3809-07	Consult
37	Consult	Lock nut, UNI-3	000-901-3811-05	Consult
38	Consult	Case, display, B	000-901-3812-09	Consult
39	Consult	Case, display, F	000-901-3810-01	Consult
40	192539	Sheet, display	Consult	Consult
41	Consult	Panel, display	000-901-3805-02	Consult
42	192537	Sheet, display	Consult	Consult
43	179441	Motor, stepping, 49P048LO-00702	000-901-3866-19	Consult
44	Consult	Bracket, motor	000-901-1295-24	Consult
45	Consult	Bracket, 01	000-901-1296-37	Consult
46	Consult	Axis, rewind	000-901-2397-33	Consult
47	Consult	Bush	000-901-4481-03	Consult
48	Consult	Bush, OLTC6-1500C	000-901-4494-01	Consult
49	179442	Gear, rewind	000-901-2360-36	Consult
50	Consult	Timing belt, 3M-HTD-330	000-901-2435-04	Consult
51	179444	Gear, dual	000-901-2357-07	Consult
52	179445	Gear, drive	000-901-2358-01	Consult
53	179446	Cover, gear, drive	000-901-2359-04	Consult

Retail Scales

Ishida Astra II Pole

Pole



Retail Scales

RETAIL

Ishida Astra II

Pole



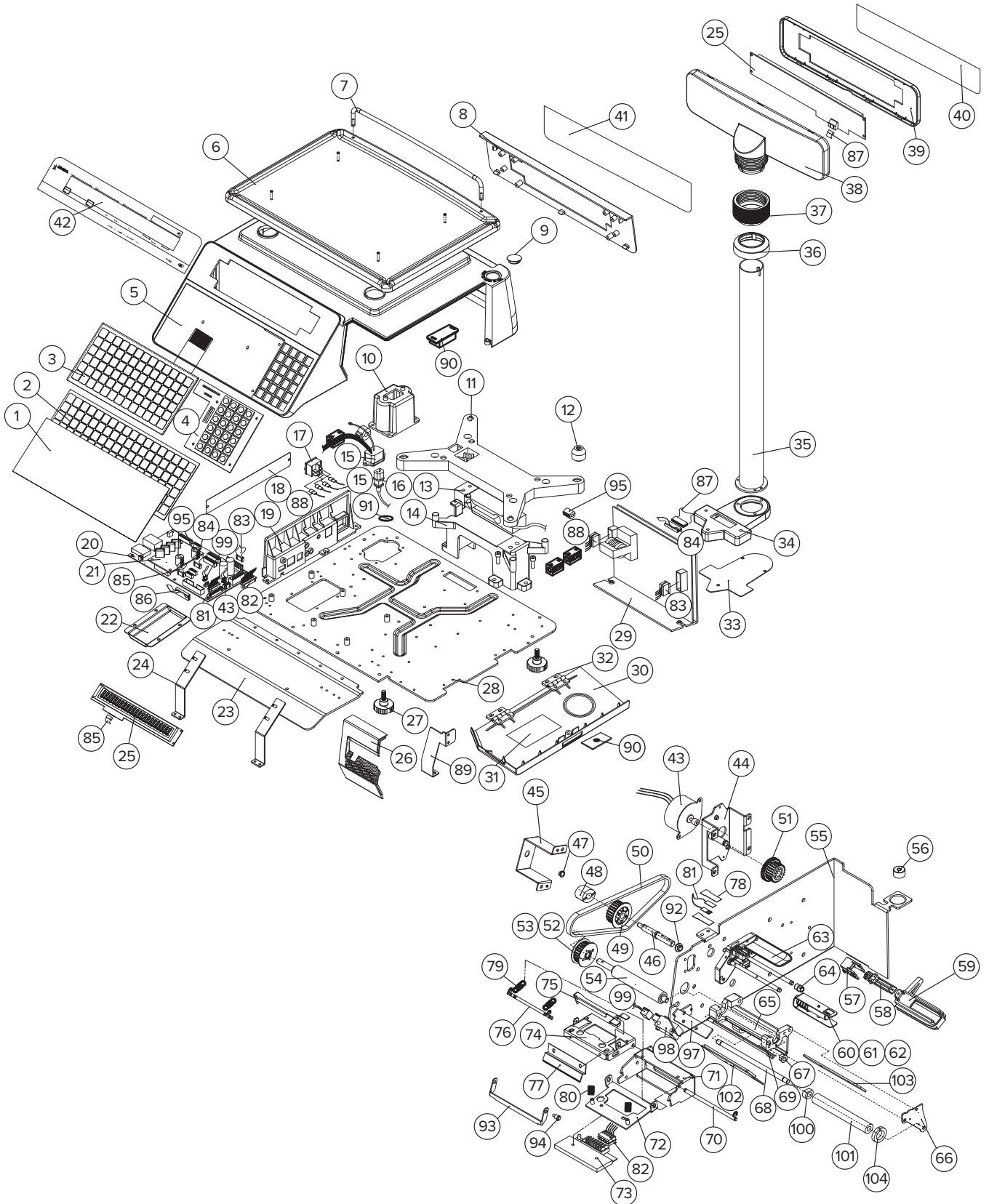
Part Number/Price

Ref #	Part #	Description	Synonym	Price
54	169737	Roller, rubber	000-901-0040-00	Consult
55	Consult	Frame, printer	000-901-1293-36	Consult
56	44425	Level unit	000-900-5727-05	Consult
57	66378	Holder, guide, label	000-089-2830-01	Consult
58	66376	Lever, guide, label	000-089-2858-04	Consult
59	Consult	Holder, label	000-089-6667-04	Consult
60	185465	Bracket	000-901-4499-19	Consult
61	185467	Spring, bobbin	000-900-6740-08	Consult
62	185468	Shaft, bobbin	000-900-8333-20	Consult
63	Consult	Support, NL	000-900-9359-11	Consult
64	Consult	Axle bush	000-900-9361-10	Consult
65	Consult	Support, roll, NL	000-900-9358-36	Consult
66	Consult	Cover, NL	000-900-9360-25	Consult
67	66370	Bush, left	000-900-0894-06	Consult
68	Consult	Axis, 01	000-900-9363-17	Consult
69	Consult	Axis, 02	000-901-3774-01	Consult
70	45221	Shaft, 1	000-900-0844-19	Consult
71	192246	Frame, head	000-900-9205-39	Consult
72	191529	Bracket, head	000-900-9206-16	Consult
73	119169	Thermal head, CHX56-8359	000-901-5061-06	Consult
74	192247	Bracket, lock	000-900-9207-37	Consult
75	177790	Bracket, push	000-900-9208-03	Consult
76	Consult	Axis, hold	000-900-9223-00	Consult
77	188153	Tear bar	000-900-6722-01	Consult
78	Consult	Bracket, sensor	000-900-9364-01	Consult
79	45206	Tension spring	000-900-0849-08	Consult
80	45203	Spring coil, 1	000-900-0848-04	Consult
81	104832	Label sensor assembly	000-900-5225-02	Consult
81.1	Consult	Harness, C5, label sensor	000-900-0989-06	Consult
81.2	Consult	LED IR928 6C	000-900-2127-00	Consult
81.3	Consult	Photo TR PT928 6B	000-900-2128-03	Consult
82	104267	Harness, S2, Thermal head	000-900-2840-21	Consult
83	47073	Hareness, S2, power	000-900-0286-11	Consult
84	Consult	Harness, C3, display	000-901-2400-04	Consult
85	170779	Harness, S2, display	000-901-2399-03	Consult
86	170780	Harness, S2, keyboard	000-901-2312-19	Consult
87	Consult	Harness, S2, display LCD	000-900-9255-18	Consult
88	66396	Harness, C3, power	000-900-2841-06	Consult
89	Consult	Bracket, printer	000-901-1292-05	Consult
90	Consult	Bracket, magnet	000-901-5062-00	Consult
91	Consult	Label, GND core	000-900-1338-05	Consult
92	Consult	Bush, CSB-EPBF-0608-04	000-901-3953-01	Consult
93	Consult	Bracket, cutter	000-901-3781-07	Consult
94	Consult	Screw, cutter	000-901-3960-25	Consult
95	Consult	Ferrite, core	000-900-0730-09	Consult
97	193312	Bracket, peel sensor	000-901-5065-01	Consult
98	179447	Photo interrupter, reflector	000-078-0604-01	Consult
99	Consult	Harness, peel sensor, L-160MM	000-901-5063-03	Consult
100	Consult	Bush	000-901-4488-09	Consult
101	Consult	Shaft, POM	000-901-4487-05	Consult
102	Consult	Bracket, peel off	000-901-4484-13	Consult
103	Consult	Bracket, fixed	000-901-4485-17	Consult
104	Consult	Label guide	000-901-4486-01	Consult
105	Consult	Magnet	000-901-3743-05	Consult

Retail Scales

Ishida Astra II

Pole



Retail Scales

Weigh Modules

TABLE OF CONTENTS

ITCM ISOLATED TENSION CELL MOUNT ASSEMBLY	308	TRANSLINK® PARALLEL LINK TRUCK SCALE ASSEMBLY	345
ITCM SS ISOLATED TENSION CELL MOUNT ASSEMBLY	309	METTLER TOLEDO® BRIDGEMASTER® TRUCK SCALE	346
<i>Standard Model</i>		METTLER TOLEDO BRIDGEMASTER MODEL 7500	347
ITCM ISOLATED TENSION CELL MOUNT ASSEMBLY	310	RL9000TWM SERIES	348
<i>IP-67</i>			
RL50210 TA/65059 MINI TANK WEIGHING ASSEMBLY	311		
<i>Mild Steel Construction</i>			
RL50210 TA MINI TANK WEIGHING ASSEMBLY	312		
<i>Stainless Steel Construction</i>			
RL50210 TA/65059 MINI TANK WEIGHING ASSEMBLY	313		
<i>500 lb Capacity</i>			
RL50210 TA/65059 MINI TANK WEIGHING ASSEMBLY	314		
<i>1000-2500 lb Capacities</i>			
RL2200 LOAD CELL MOUNTING KIT	315		
<i>Mild Steel</i>			
RL2200 LOAD CELL MOUNTING KIT	316		
<i>Stainless Steel</i>			
RL1800 SERIES MOUNTING ASSEMBLY	317		
<i>Mild Steel</i>			
RL1800 SERIES MOUNTING ASSEMBLY	318		
<i>Stainless Steel</i>			
RL1900 SERIES MOUNTING ASSEMBLY	319		
<i>Stainless Steel</i>			
RL1600/65016 TWA SERIES TANK WEIGHING ASSEMBLY	320		
<i>Cast Iron</i>			
RL1600/65016 TWA SERIES TANK WEIGHING ASSEMBLY	321		
<i>Mild Steel</i>			
RL1600/65016 TWA SERIES TANK WEIGHING ASSEMBLY	322		
<i>Stainless Steel</i>			
EZ MOUNT 1 TANK-MOUNTING ASSEMBLY	324		
<i>Mild Steel</i>			
EZ MOUNT 1 TANK-MOUNTING ASSEMBLY	325		
<i>Stainless Steel</i>			
SURVIVOR® 2100HE WEIGH MODULES	327		
SURVIVOR® 1700HE WEIGH MODULES	328		
<i>Stainless Steel</i>			
PARAMOUNTS® MOUNTING ASSEMBLY-FIXED PIN MOUNT	329		
<i>Mild Steel</i>			
PARAMOUNTS® MOUNTING ASSEMBLY-FIXED PIN MOUNT	331		
<i>Stainless Steel</i>			
PARAMOUNTS® MOUNTING ASSEMBLY-SIDE STOP MOUNT	333		
<i>Mild Steel</i>			
PARAMOUNTS® MOUNTING ASSEMBLY-SIDE STOP MOUNT	335		
<i>Stainless Steel</i>			
PARAMOUNTS® MOUNTING ASSEMBLY-FREE SLIDING MOUNT	337		
<i>Mild Steel</i>			
PARAMOUNTS® MOUNTING ASSEMBLY-FREE SLIDING MOUNT	339		
<i>Stainless Steel</i>			
MVS TRUCK SCALE WEIGH MODULE	341		
TSA TRUCK SCALE ASSEMBLY	342		
TRUCK AND RAILROAD TRUCK MOUNT ASSEMBLY	343		
<i>Magnamount® Tank</i>			
MAGNAMOUNT® TANK	344		
<i>Truck and Railroad Truck Mount Assembly</i>			

ITCM Isolated Tension Cell Mount Assembly

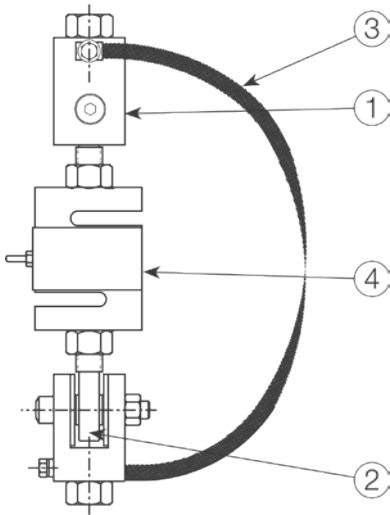


Diagram ITCM-A

Part Number/Price

Ref#	Part#	Description	Price
	16962	Installation manual	Consult
Rated Capacity: 100 lb and 250 lb			
1	17783	Clevis assembly, 1/2 in-13 UNC	Consult
	17786	Clevis assembly, 3/8 in-16 UNC	Consult
2	17739	Rod end ball joint, 1/4 in-28 UNF	Consult
3	17778	Bonding strap	Consult
4	21431	Load cell, RL20000-100 lb	Consult
	21434	Load cell, RL20000-250 lb	Consult
Rated Capacity: 500 lb - 2,000 lb			
1	17787	Clevis assembly, 1/2 in-13 UNC	Consult
	17788	Clevis assembly, 5/8 in-11 UNC	Consult
	17784	Clevis assembly, 3/4 in-10 UNC	Consult
2	17740	Rod end ball joint, 1/2 in-20 UNF	Consult
3	17779	Bonding strap	Consult
4	21436	Load cell, RL20000-500 lb	Consult
	21437	Load cell, RL20000-750 lb	Consult
	21438	Load cell, RL20000-1,000 lb	Consult
	21439	Load cell, RL20000-1,500 lb	Consult
	21440	Load cell, RL20000-2,000 lb	Consult
Rated Capacity: 2,500 lb - 3,000 lb			
1	17788	Clevis assembly, 5/8 in-11 UNC	Consult
	17784	Clevis assembly, 3/4 in-10 UNC	Consult
2	17740	Rod end ball joint, 1/2 in-20 UNF	Consult
3	17779	Bonding strap	Consult
4	21441	Load cell, RL20000-2,500 lb	Consult
	21442	Load cell, RL20000-3,000 lb	Consult
Rated Capacity: 5,000 lb			
1	17789	Clevis assembly, 3/4 in-10 UNC	Consult
	17785	Clevis assembly, 1 in-8 NC	Consult
2	17741	Rod end ball joint, 3/4 in-16 UNF	Consult
3	17780	Bonding strap	Consult
4	21443	Load cell, RL20000-5,000 lb	Consult
Rated Capacity: 10,000 lb			
1	17785	Clevis assembly, 1 in-8 UNC	Consult
2	17741	Rod end ball joint, 3/4 in-16 UNF	Consult
3	17780	Bonding strap	Consult
4	21444	Load cell, RL20000-10,000 lb	Consult
Rated Capacity: 15,000 lb			
1	17790	Clevis assembly, 1 1/4 in-7 UNC	Consult
2	17747	Rod end ball joint, 1 in-12 UNF	Consult
3	17781	Bonding strap	Consult
4	21445	Load cell, RL20000-15,000 lb	Consult
Rated Capacity: 20,000 lb			
1	17791	Clevis assembly, 1 1/2 in-6 UNC	Consult
2	17743	Rod end ball joint, 1 1/4 in-12 UNF	Consult
3	17781	Bonding strap	Consult
4	21446	Load cell, RL20000-20,000 lb	Consult

(See Diagram ITCM-A)

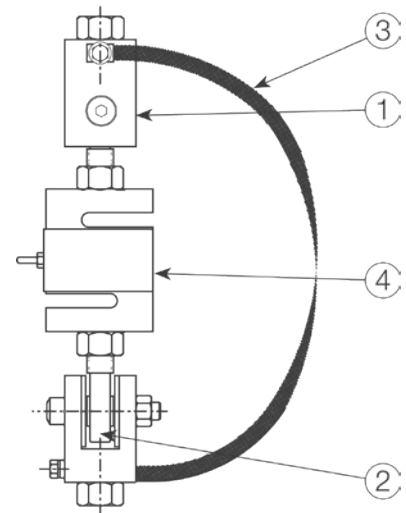
ITCM SS Isolated Tension Cell Mount Assembly

Standard Model

Part Number/Price

Ref#	Part#	Description	Price
	16962	Installation manual	Consult
Rated Capacity: 100 lb and 250 lb			
1	33643	Clevis assembly, 1/2 in-13 UNC	Consult
	33641	Clevis assembly, 3/8 in-16 UNC	Consult
2	33505	Rod end ball joint, 1/4 in-28 UNF	Consult
3	17778	Bonding strap	Consult
4	72742	Load cell, RL20000ST-100 lb	Consult
	72744	Load cell, RL20000ST-250 lb	Consult
Rated Capacity: 500 lb - 1,000 lb			
1	33640	Clevis assembly, 1/2 in-13 UNC	Consult
	33639	Clevis assembly, 5/8 in-11 UNC	Consult
2	33507	Rod end ball joint, 1/2 in-20 UNF	Consult
3	17779	Bonding strap	Consult
4	72746	Load cell, RL20000ST-500 lb	Consult
	72747	Load cell, RL20000ST-750 lb	Consult
	72748	Load cell, RL20000ST-1,000 lb	Consult
Rated Capacity: 2,500 lb - 3,000 lb			
1	33639	Clevis assembly, 5/8 in-11 UNC	Consult
	33642	Clevis assembly, 3/4 in-10 UNC	Consult
2	33507	Rod end ball joint, 1/2 in-20 UNF	Consult
3	17779	Bonding strap	Consult
4	72751	Load cell, RL20000ST-2,500 lb	Consult
	72752	Load cell, RL20000ST-3,000 lb	Consult
Rated Capacity: 5,000 lb			
1	33638	Clevis assembly, 3/4 in-10 UNC	Consult
2	33508	Rod end ball joint, 3/4 in-16 UNF	Consult
3	17780	Bonding strap	Consult
4	72753	Load cell, RL20000ST - 5,000 lb	Consult
	16962	Installation manual	Consult

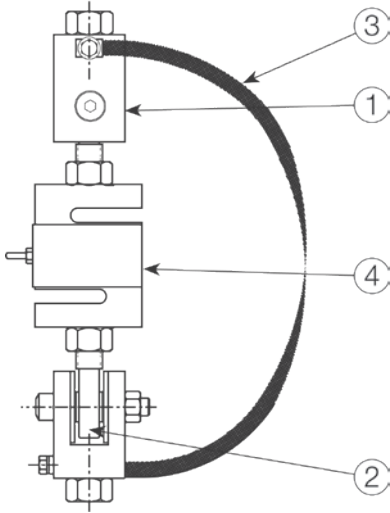
(See Diagram ITCM-B)



ITCM-B

ITCM Isolated Tension Cell Mount Assembly

IP-67



ITCM-D

Part Number/Price

Ref#	Part#	Description	Price
	16962	Installation manual	Consult
Rated Capacity: 500 lb - 1,000 lb			
1	33640	Clevis assembly, 1/2 in-13 UNC	Consult
	33639	Clevis assembly, 5/8 in-11 UNC	Consult
	33642	Clevis assembly, 3/4 in-10 UNC	Consult
2	33507	Rod end ball joint, 1/2 in-20 UNF	Consult
3	17779	Bonding strap	Consult
	46469	Load cell, RL2000HE-500 lb	Consult
4	46470	Load cell, RL20001HE-750 lb	Consult
	46471	Load cell, RL20001HE-1000 lb	Consult
	46472	Load cell, RL20001HE-1,500 lb	Consult
	46473	Load cell, RL20001HE-2,000 lb	Consult
	Rated Capacity: 2,500 lb - 3,000 lb		
1	33639	Clevis assembly, 5/8 in-11 UNC	Consult
	33642	Clevis assembly, 3/4 in-10 UNC	Consult
2	33507	Rod end ball joint, 1/2 in-20 UNF	Consult
3	17779	Bonding strap	Consult
4	46474	Load cell, RL20001HE 2,500 lb	Consult
	46475	Load cell, RL20001HE 3,000 lb	Consult
Rated Capacity: 5,000 lb			
1	33638	Clevis assembly, 3/4 in-10 UNC	Consult
2	33508	Rod end ball joint, 3/4 in-16 UNF	Consult
3	17780	Bonding strap	Consult
4	46476	Load cell, RL20001HE 5,000 lb	Consult
	16962	Installation manual	Consult

(See Diagram ITCM-D)

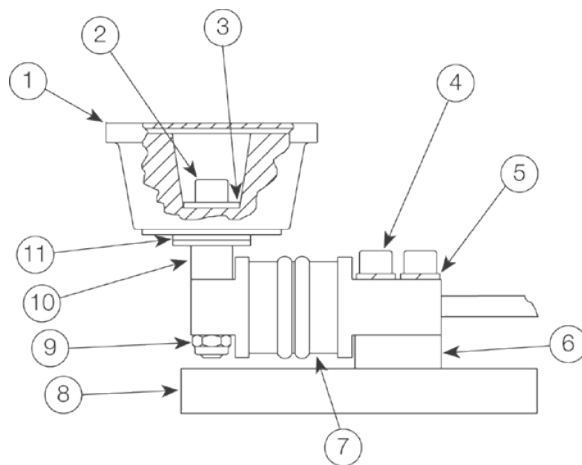
RL50210 TA/65059 Mini Tank Weighing Assembly

Mild Steel Construction

Part Number/Price

Ref#	Part#	Description	Price
	25713	Installation manual	Consult
Rated Capacity: 50 lb – 250 lb			
1	18255	Vibration mount-50 lb	Consult
	18256	Vibration mount-100 lb	Consult
	18245	Vibration mount-150 lb	Consult
	18257	Vibration mount-250 lb	Consult
2	14983	Socket-head cap screw	Consult
3	21940	Plain washer	Consult
4	14982	Socket-head load cell bolts	Consult
5	15147	1/4 in lock washer	Consult
6	18241	Deflection Spacer	Consult
7	17380	Load cell, RL50210-50 lb	Consult
	17381	Load cell, RL50210-100 lb	Consult
	17382	Load cell, RL50210-150 lb	Consult
	17383	Load cell, RL50210-250 lb	Consult
	17370	Sensortronics load cell, 60040-50 lb	Consult
	17372	Sensortronics load cell, 60040-100 lb	Consult
	17373	Sensortronics load cell, 60040-150 lb	Consult
	17374	Sensortronics load cell, 60040-250 lb	Consult
8	18247	Base plate	Consult
9	14643	Flex lock nut	Consult
10	18240	Loading spacer	Consult
11	22011	1/4 in type B plain washer	Consult

(See Diagram RL50210-A)



RL50210-A

WEIGH MODULES

RL50210 TA Mini Tank Weighing Assembly

Stainless Steel Construction

Discontinued

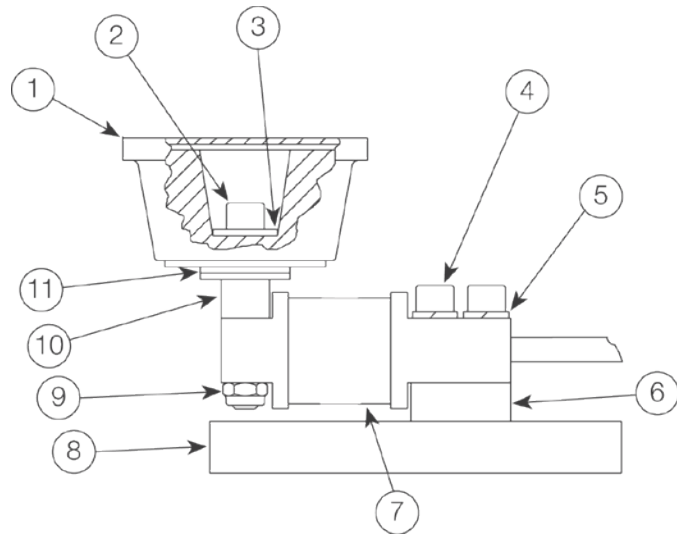


Limited Quantities Available

Part Number/Price

Ref#	Part#	Description	Price
	25713	Installation manual	Consult
Rated Capacity: 50 lb – 250 lb			
1	18255	Vibration mount-50 lb	Consult
	18256	Vibration mount-100 lb	Consult
	18245	Vibration mount-150 lb	Consult
	18257	Vibration mount-250 lb	Consult
2	63790	Socket-head cap screw	Consult
3	63791	Plain washer	Consult
4	63789	Socket-head load cell bolts	Consult
5	15148	1/4 in lock washer	Consult
6	63794	Spacer deflection	Consult
7	53213	Load cell, RL50210SS-150 lb	Consult
8	63795	Base plate	Consult
9	63788	Flex lock nut	Consult
10	63793	Loading spacer	Consult
11	63792	1/4 in plain washer	Consult

(See Diagram RL50210-A)



RL50210-A

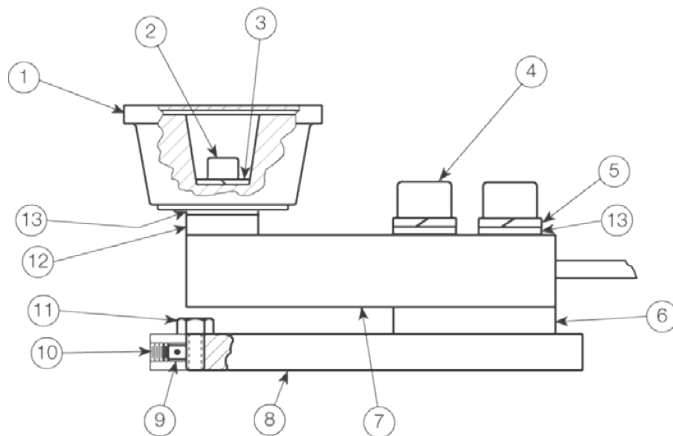
Weigh Modules

RL50210 TA/65059 Mini Tank Weighing Assembly

500 lb Capacity

Ref#	Part#	Description	Price
	25713	Installation manual	Consult
Mild Steel Construction			
1	18244	Vibration mount	Consult
2	32185	Socket-head cap screw	Consult
3 & 5	15167	Lock washer	Consult
4	15069	Socket-head load cell bolts	Consult
6	17754	Deflection Spacer	Consult
7	17342	Load cell, RL30000 - 500 lb	Consult
	17125	Sensortronics load cell, 65023 - 500 lb	Consult
8	18248	Base plate	Consult
9	18246	Nylon plug	Consult
10	14949	Socket-head set screw	Consult
11	14886	Screw, overload stop	Consult
12	18259	Loading spacer	Consult
13	15173	Flat washer	Consult
Stainless Steel Construction			
1	18244	Vibration mount	Consult
2	32280	Socket-head cap screw	Consult
3	15168	Lock washer	Consult
4	15065	Socket-head load cell bolts	Consult
5	15168	1/2 in lock washer	Consult
6	18411	Deflection Spacer	Consult
7	17387	Load cell, RL39123 - 500 lb	Consult
	17188	Sensortronics load cell, 65023SS - 500 lb	Consult
8	18382	Base plate	Consult
9	18246	Nylon plug	Consult
10	14950	Socket-head set screw	Consult
11	14887	Screw, overload stop	Consult
12	18410	Loading spacer	Consult
13	15175	Flat washer	Consult

(See Diagram RL50210-B)



RL50210-B

RL50210 TA/65059 Mini Tank Weighing Assembly

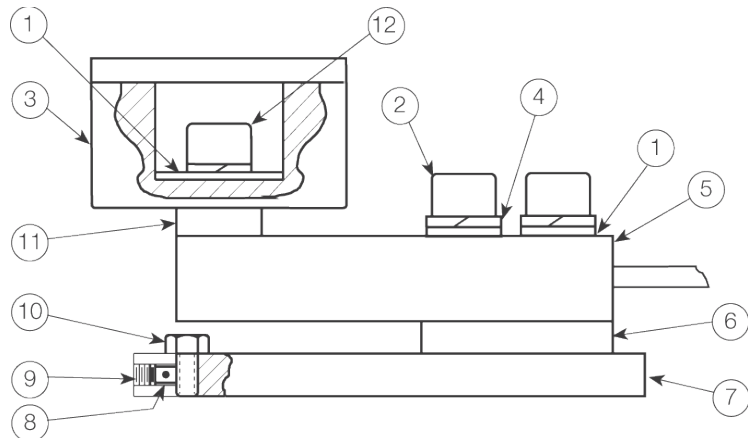
1000-2500lb Capacities



Part Number/Price

Ref#	Part#	Description	Price
	25713	Installation manual	Consult
Mild Steel Construction			
1	15173	1/2 in flat washer	Consult
2	15076	Socket-head cap screw	Consult
3	18258	Neoprene compression mount-1,000 lb	Consult
	26819	Neoprene compression mount-2,000 and 2,500 lb	Consult
4	15167	Lock washer	Consult
5	21528	Load Cell, RL35023 - 1000 lb	Consult
	21529	Load Cell, RL35023 - 2,000 lb	Consult
	21530	Load Cell, RL35023 - 2,500 lb	Consult
	21507	Sensortronics load cell, 65023 - 1,000 lb	Consult
	21508	Sensortronics load cell, 65023 - 2,000 lb	Consult
	21509	Sensortronics load cell, 65023 - 2,500 lb	Consult
6	18260	Spacer deflection	Consult
7	18248	Base plate	Consult
8	18246	Nylon plug	Consult
9	14949	Socket-head set screw	Consult
10	14886	Machine screw overload stop	Consult
11	18239	Loading spacer	Consult
12	15076	Screw, cap - 1,000 lb	Consult
1	15069	Screw, cap - 2,000 and 2,500 lb	Consult
Stainless Steel Construction			
1	15175	1/2 in flat washer	Consult
2	15077	Socket-head cap screw	Consult
3	18258	Neoprene compression mount - 1,000 lb	Consult
	26819	Neoprene compression mount - 2,000 & 2,500 lb	Consult
4	15168	1/2 in lock washer	Consult
5	30649	Load cell, RL35023S - 1,000 lb	Consult
	30650	Load cell, RL35023S - 2,000 lb	Consult
	30651	Load cell, RL35023S - 2,500 lb	Consult
	28925	Sensortronics load cell, 65023S - 1,000 lb	Consult
	28926	Sensortronics load cell, 65023S - 2,000 lb	Consult
	28927	Sensortronics load cell, 65023S - 2,500 lb	Consult
6	18383	Spacer plate	Consult
7	18382	Base plate	Consult
8	18246	Nylon plug	Consult
9	14950	Socket-head set screw	Consult
10	14887	Machine screw overload stop	Consult
11	18381	Loading spacer	Consult
12	15077	Screw, cap - 1,000 lb	Consult
	15065	Screw, cap - 2,000 and 2,500 lb	Consult

(See Diagram RL50210-C)



RL50210-C

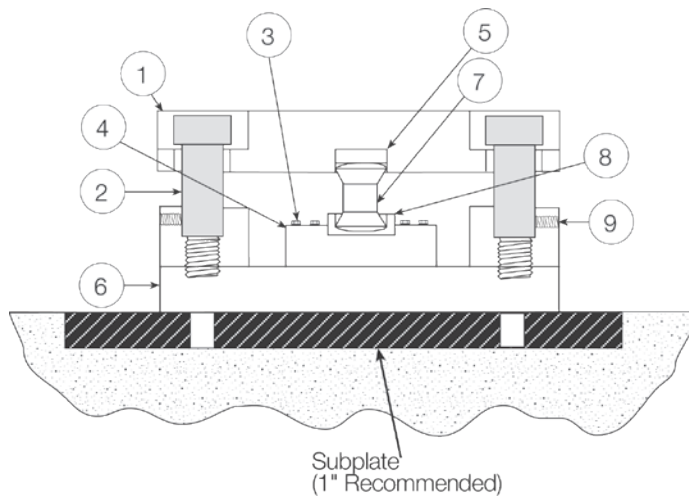
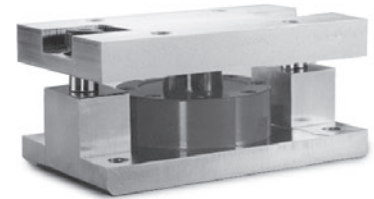
RL2200 Load Cell Mounting Kit

Mild Steel

Part Number/Price

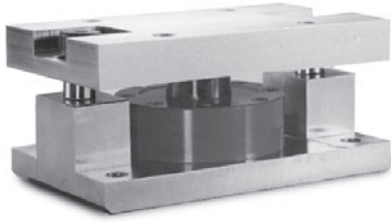
Ref#	Part#	Description	Price
	49596	Installation manual	Consult
Rated Capacity: 2,500 lb and 10,000 lb			
1	45562	Top-plate	Consult
2	45567	Shoulder screw	Consult
3	45569	Load cell bolts	Consult
4	76654	Load cell, RL2200 - 2,500 lb	Consult
4	45708	Load cell, RL2200 - 5,000 lb	Consult
4	45709	Load cell, RL2200 - 10,000 lb	Consult
5	45564	Bearing, upper insert	Consult
6	45556	Base plate	Consult
7	45565	Rocker pin	Consult
8	50861	Dust boot	Consult
9	14949	Set screws	Consult
Rated Capacity: 25,000 lb and 50,000 lb			
1	45547	Top-plate	Consult
2	45553	Shoulder screw	Consult
3	45554	Load cell bolts	Consult
4	45710	Load cell, RL2200 - 25,000 lb	Consult
4	45711	Load cell, RL2200 - 50,000 lb	Consult
5	45549	Bearing, upper insert	Consult
6	45541	Base plate	Consult
7	45550	Rocker pin	Consult
8	45566	Dust boot	Consult
9	45696	Set screws	Consult

(See Diagram RL2200-A)



RL2200 Load Cell Mounting Kit

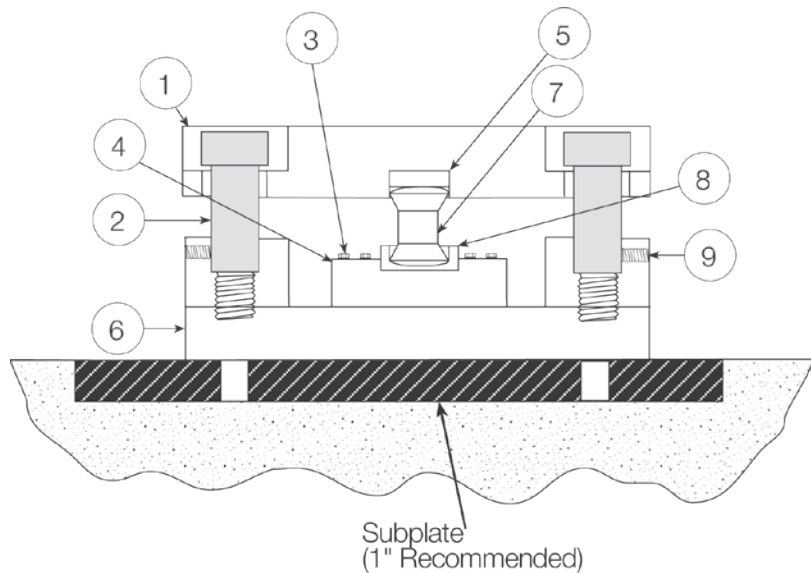
Stainless Steel



Part Number/Price

Ref#	Part#	Description	Price
	49596	Installation manual	Consult
Rated Capacity: 2,500 lb and 10,000 lb			
1	45563	Top-plate	Consult
2	45568	Shoulder screw	Consult
3	45569	Load cell bolts	Consult
4	76655	Load cell, RL2200 - 2,500 lb	Consult
	45712	Load cell, RL2200 - 5,000 lb	Consult
	45713	Load cell, RL2200 - 10,000 lb	Consult
5	45564	Bearing, upper insert	Consult
6	45557	Base plate	Consult
7	45565	Rocker pin	Consult
8	50861	Dust boot	Consult
9	14950	Set screws	Consult
Rated Capacity: 25,000 lb and 50,000 lb			
1	45548	Top-plate	Consult
2	45552	Shoulder screw	Consult
3	45554	Load cell bolts	Consult
4	45714	Load cell, RL2200 - 25,000 lb	Consult
	45715	Load cell, RL2200 - 50,000 lb	Consult
5	45549	Bearing, upper insert	Consult
6	45542	Base plate	Consult
7	45550	Rocker pin	Consult
8	45566	Dust boot	Consult
9	45697	Set screws	Consult

(See Diagram RL2200-B)



RL2200-B

RL1800 Series Mounting Assembly

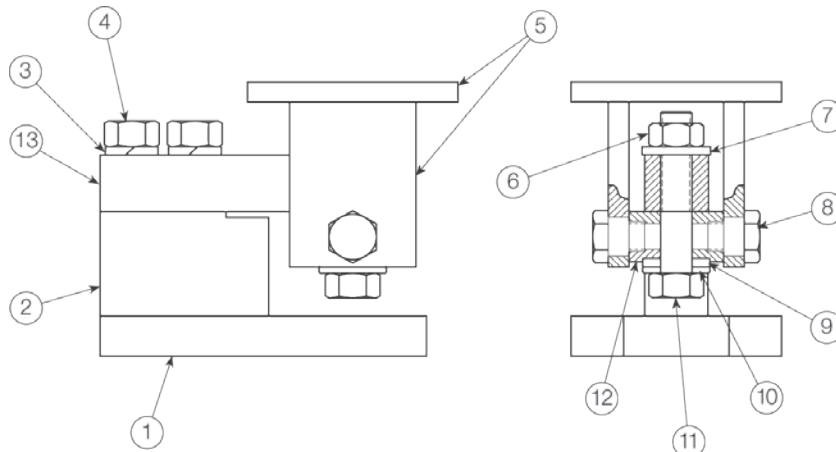
Mild Steel

Part Number/Price

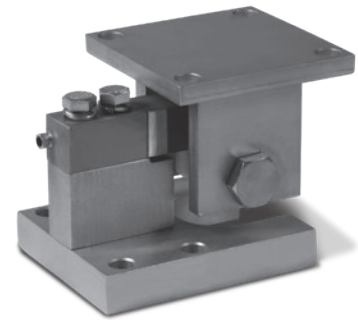
Ref#	Part#	Description	Price
	25712	Installation manual	Consult
Rated Capacity: 250 lb – 5,000 lb SE			
1	22723	Base plate	Consult
2	22724	Load cell mounting block	Consult
3	15167	Lock washer	Consult
4	14765	Load cell bolt	Consult
5	22725	Upper support	Consult
6	14664	Jam nut	Consult
7	15173	Flat washer	Consult
8	22726	Shoulder bolt	Consult
9 & 10	15198	Spherical washer set	Consult
11	14759	Hex-head loading bolt	Consult
12	22727	Upper support loading block	Consult
13	17341	Load cell, RL30000 - 250 lb	Consult
	17342	Load cell, RL30000 - 500 lb	Consult
	21491	Load cell, RL30000 - 1,000 lb	Consult
	21493	Load cell, RL30000 - 2,000 lb	Consult
	21495	Load cell, RL30000 - 2,500 lb	Consult
	21497	Load cell, RL30000 - 3,000 lb	Consult
	21498	Load cell, RL30000 - 4,000 lb	Consult
	21500	Load cell, RL30000 - 5,000 lb SE	Consult
	21528	Load cell, RL35023 - 1,000 lb	Consult
	21529	Load cell, RL35023 - 2,000 lb	Consult
	21530	Load cell, RL35023 - 2,500 lb	Consult
21531	Load cell, RL35023 - 3,000 lb	Consult	
21532	Load cell, RL35023 - 4,000 lb	Consult	
21535	Load cell, RL35023 - 5,000 lb (small envelope)	Consult	
Rated Capacity: 5,000 lb LE and 10,000 lb			
1	22728	Base plate	Consult
2	22729	Load cell mounting block	Consult
3	15181	Lock washer	Consult
4	14788	Load cell bolt	Consult
5	22730	Upper support	Consult
6	14687	Jam nut	Consult
7	15179	Flat washer	Consult
8	22726	Shoulder bolt	Consult
9 & 10	15200	Spherical washer set	Consult
11	14786	Hex-head loading bolt	Consult
12	22731	Upper support loading block	Consult
13	21533	Load cell, RL35023 - 5,000 lb (large envelope)	Consult
	21534	Load cell, RL35023 - 10,000 lb	Consult

SE refers to small envelope. LE refers to large envelope.

(See Diagram RL1800-A)

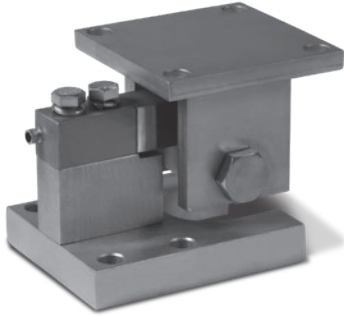


RL1800-A



RL1800 Series Mounting Assembly

Stainless Steel

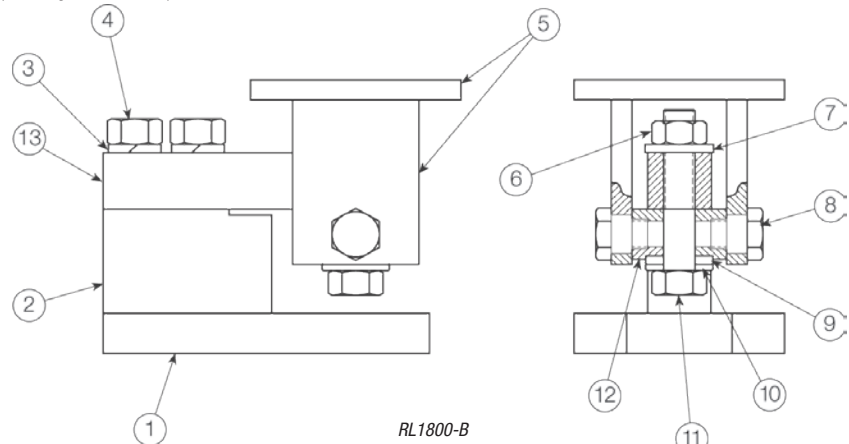


Part Number/Price

Ref#	Part#	Description	Price
	25712	Installation manual	Consult
Rated Capacity: 1,000 lb - 4,000 lb			
1	22732	Base plate	Consult
2	22733	Load cell mounting block	Consult
3	15168	Lock washer	Consult
4	14766	Load cell bolt	Consult
5	22734	Upper support	Consult
6	14665	Jam nut	Consult
7	15175	Flat washer	Consult
8	22735	Shoulder bolt	Consult
9	22736	Concave washer	Consult
10	22737	Convex washer	Consult
11	14760	Hex-head loading bolt	Consult
12	22738	Upper support loading block	Consult
13	30649	Load cell, RL35023S - 1,000 lb	Consult
	31283	Load cell, RL35082 - 1,000 lb (1855 HE)	Consult
	34702	Load cell, RL35082 - 1,000 lb (1855 HE-HS)	Consult
	30650	Load cell, RL35023S - 2,000 lb	Consult
	30651	Load cell, RL35023S - 2,500 lb	Consult
	31282	Load cell, RL35082 - 2,500 lb (1855 HE)	Consult
	34703	Load cell, RL35082 - 2,500 lb (1855 HE-HS)	Consult
	30652	Load cell, RL35023S - 4,000 lb	Consult
	31281	Load cell, RL35082 - 4,000 lb (1855 HE)	Consult
	34704	Load cell, RL35082 - 4,000 lb (1855 HE-HS)	Consult
Rated Capacity: 5,000 lb LE and 10,000 lb			
1	22739	Base plate	Consult
2	22740	Load cell mounting block	Consult
3	15182	Lock washer	Consult
4	14789	Load cell bolt	Consult
5	22741	Upper support	Consult
6	14688	Jam nut	Consult
7	15180	Flat washer	Consult
8	22735	Shoulder bolt	Consult
9	22742	Concave washer	Consult
10	22743	Convex washer set	Consult
11	14787	Hex-head loading bolt	Consult
12	22744	Upper support loading block	Consult
13	30653	Load cell, RL35023S - 5,000 lb LE	Consult
	31280	Load cell, RL35082 - 5,000 lb (1855 HE)	Consult
	34705	Load cell, RL35082 - 5,000 lb (1855 HE-HS)	Consult
	30654	Load cell, RL35023S - 10,000 lb	Consult
	31279	Load cell, RL35082 - 10,000 lb (1855 HE)	Consult
	34706	Load cell, RL35082 - 10,000 lb (1855 HE-HS)	Consult

Note: 1855HE series weigh modules manufactured before 7/95 may use RL35083 load cells. Verify correct model number on load cell. LE refers to large envelope.

(See Diagram RL1800-B)



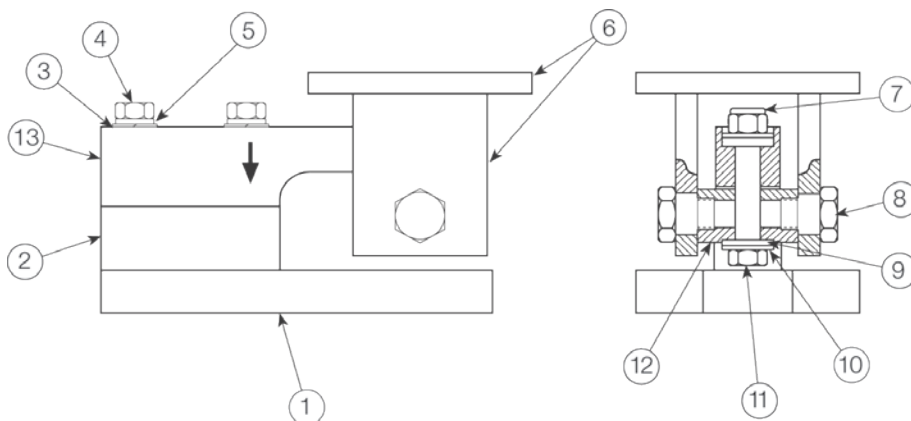
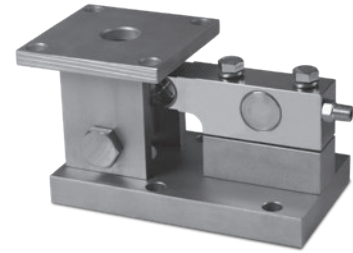
RL1900 Series Mounting Assembly

Stainless Steel

Part Number/Price

Ref#	Part#	Description	Price
	25711	Installation manual	Consult
Rated Capacity: 1,000 lb - 5,000 lb			
1	18254	Base plate	Consult
2	18253	Load cell mounting block	Consult
3	15175	Flat washer	Consult
4	14767	Load cell bolt	Consult
5	15168	Lock washer	Consult
6	22293	Upper support	Consult
7	14666	Nylon lock nut	Consult
8	22735	Shoulder bolt	Consult
9	22736	Concave washer	Consult
10	22737	Convex washer	Consult
11	14763	Hex-head loading bolt	Consult
12	22738	Upper support loading block	Consult
13	34310	Load cell, RL SSB - 1,000 lb	Consult
	34311	Load cell, RL SSB - 2,000 lb	Consult
	34312	Load cell, RL SSB - 5,000 lb	Consult
Rated Capacity: 10,000 lb			
1	18280	Base plate	Consult
2	18281	Load cell mounting block	Consult
3	15180	Flat washer	Consult
4	14790	Load cell bolt	Consult
5	15182	Lock washer	Consult
6	18282	Upper support	Consult
7	14689	Nylon lock nut	Consult
8	22735	Shoulder bolt	Consult
9	22742	Concave washer	Consult
10	22743	Convex washer	Consult
11	14789	Hex-head loading bolt	Consult
12	22744	Upper support loading block	Consult
13	34313	Load cell, RL SSB - 10,000 lb	Consult

(See Diagram RL1900-A)



RL1900-A

RL1600/65016 TWA Series Tank Weighing Assembly

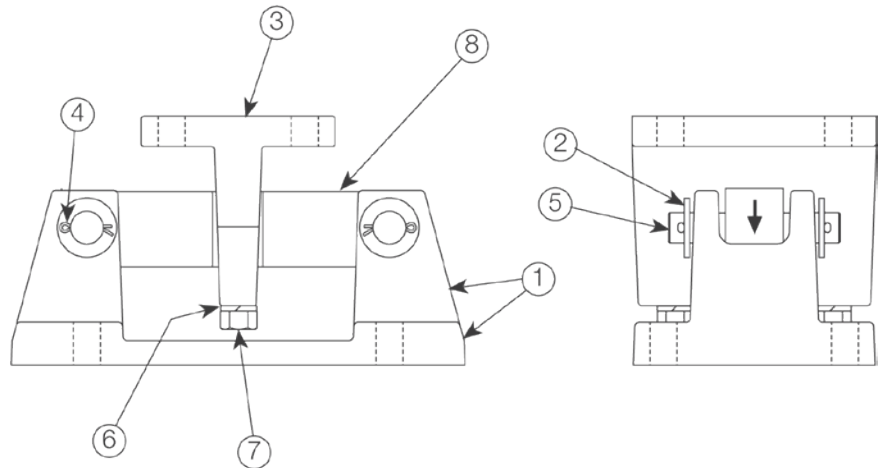
Cast Iron



Part Number/Price

Ref#	Part#	Description	Price
	16952	Installation manual	Consult
Rated Capacity: 1,000 lb - 5,000 lb			
1	18439	Tank-mount base	Consult
2	15165	Washer	Consult
3	18443	Load plate and clamp	Consult
4	15232	Cotter pin 1/8 in x 3/4 in	Consult
5	18449	Pin	Consult
6	15167	Lock washer	Consult
7	15080	Clamp screw	Consult
8	17300	Load cell, RL75016 - 1,000 lb	Consult
8	17302	Load cell, RL75016 - 1,500 lb	Consult
8	17304	Load cell, RL75016 - 2,000 lb	Consult
8	17306	Load cell, RL75016 - 2,500 lb	Consult
8	17308	Load cell, RL75016 - 3,000 lb	Consult
8	17309	Load cell, RL75016 - 5,000 lb	Consult
8	17268	Sensortronics load cell, 65016 - 1,000 lb	Consult
8	17270	Sensortronics load cell, 65016 - 1,500 lb	Consult
8	17273	Sensortronics load cell, 65016 - 2,500 lb	Consult
8	17275	Sensortronics load cell, 65016 - 5,000 lb	Consult
Rated Capacity: 10,000 lb - 25,000 lb			
1	18441	Tank-mount base	Consult
2	15179	Washer	Consult
3	18445	Load plate and clamp	Consult
4	15237	Cotter pin 1/8 in x 1 in	Consult
5	18448	Pin	Consult
6	15181	Lock washer	Consult
7	15099	Clamp screw	Consult
8	17311	Load cell, RL75016 - 10,000 lb	Consult
8	17313	Load cell, RL75016 - 15,000 lb	Consult
8	17315	Load cell, RL75016 - 20,000 lb	Consult
8	17317	Load cell, RL75016 - 25,000 lb	Consult
8	17277	Sensortronics load cell, 65016 - 10,000 lb	Consult
8	17279	Sensortronics load cell, 65016 - 15,000 lb	Consult
8	17281	Sensortronics load cell, 65016 - 20,000 lb	Consult
8	17282	Sensortronics load cell, 65016 - 25,000 lb	Consult

(See Diagram RL1600-B)



RL1600-B

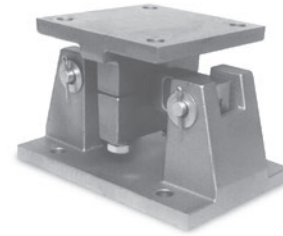
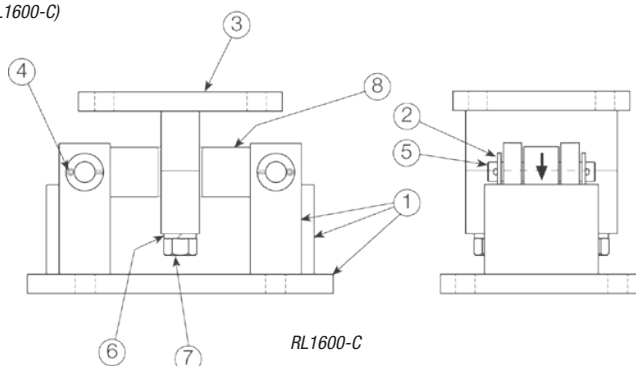
RL1600/65016 TWA Series Tank Weighing Assembly

Mild Steel

Part Number/Price

Ref#	Part#	Description	Price
	16952	Installation manual	Consult
Rated Capacity: 1,000 lb - 5,000 lb			
1	22745	Tank-mount base	Consult
2	15165	Washer	Consult
3	22746	Load plate and clamp	Consult
4	15232	Cotter pin	Consult
5	22747	Pin	Consult
6	15167	Lock washer	Consult
7	14757	Clamp bolt	Consult
8	17300	Load cell, RL75016 - 1,000 lb	Consult
	17302	Load cell, RL75016 - 1,500 lb	Consult
	17304	Load cell, RL75016 - 2,000 lb	Consult
	17306	Load cell, RL75016 - 2,500 lb	Consult
	17308	Load cell, RL75016 - 3,000 lb	Consult
	17309	Load cell, RL75016 - 5,000 lb	Consult
	17268	Sensortronics load cell, 65016 - 1,000 lb	Consult
	17270	Sensortronics load cell, 65016 - 1,500 lb	Consult
	17273	Sensortronics load cell, 65016 - 2,500 lb	Consult
	17275	Sensortronics load cell, 65016 - 5,000 lb	Consult
Rated Capacity: 10,000 lb - 25,000 lb			
1	22748	Tank-mount base	Consult
2	15179	Washer	Consult
3	22749	Load plate and clamp	Consult
4	15237	Cotter pin	Consult
5	22750	Pin	Consult
6	15181	Lock washer	Consult
7	15097	Clamp screw cap	Consult
8	17311	Load cell, RL75016 - 10,000 lb	Consult
	17313	Load cell, RL75016 - 15,000 lb	Consult
	17315	Load cell, RL75016 - 20,000 lb	Consult
	17317	Load cell, RL75016 - 25,000 lb	Consult
	17277	Sensortronics load cell, 65016 - 10,000 lb	Consult
	17279	Sensortronics load cell, 65016 - 15,000 lb	Consult
	17281	Sensortronics load cell, 65016 - 20,000 lb	Consult
	17282	Sensortronics load cell, 65016 - 25,000 lb	Consult
Rated Capacity: 50,000 lb and 75,000 lb			
1	22751	Tank-mount base	Consult
2	15184	Washer	Consult
3	22752	Load plate and clamp, 50,000 lb only	Consult
3	25364	Load plate and clamp, 75,000 lb only	Consult
4	15257	Cotter pin	Consult
5	22753	Pin	Consult
6	15189	Lock washer	Consult
7	14799	Clamp screw bolt	Consult
8	17319	Load cell, RL75016 - 50,000 lb	Consult
	25357	Load cell, RL75016 - 75,000 lb	Consult
	17284	Sensortronics load cell, 65016 - 50,000 lb	Consult
	25358	Sensortronics load cell, 65016 - 75,000 lb	Consult

(See Diagram RL1600-C)



RL1600/65016 TWA Series Tank Weighing Assembly

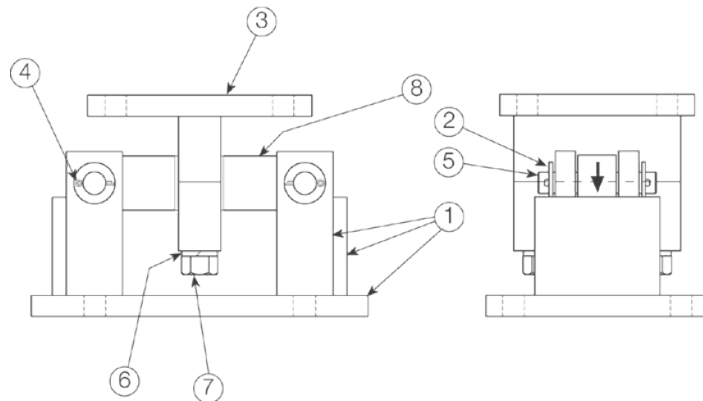
Stainless Steel



Part Number/Price

Ref#	Part#	Description	Price
	16952	Installation manual	Consult
Rated Capacity: 1,000 lb - 5,000 lb			
1	22754	Tank-mount base	Consult
2	15166	Washer	Consult
3	22755	Load plate and clamp	Consult
4	15233	Cotter pin	Consult
5	22747	Pin	Consult
6	15168	Lock washer	Consult
7	14758	Clamp screw bolt	Consult
8	17301	Load cell, RL75016SS - 1,000 lb	Consult
	17303	Load cell, RL75016SS - 1,500 lb	Consult
	17305	Load cell, RL75016SS - 2,000 lb	Consult
	17307	Load cell, RL75016SS - 2,500 lb	Consult
	17310	Load cell, RL75016SS - 5,000 lb	Consult
	67043	Load cell, RL75016WHE - 1,000 lb	Consult
	67044	Load cell, RL75016WHE - 1,500 lb	Consult
	67045	Load cell, RL75016WHE - 2,000 lb	Consult
	67046	Load cell, RL75016WHE - 2,500 lb	Consult
	67047	Load cell, RL75016WHE - 5,000 lb	Consult
	36295	Sensortronics load cell, 65016W - 1,000 lb	Consult
	36296	Sensortronics load cell, 65016W - 1,500 lb	Consult
36298	Sensortronics load cell, 65016W - 2,500 lb	Consult	
36299	Sensortronics load cell, 65016W - 5,000 lb	Consult	
Rated Capacity: 10,000 lb - 25,000 lb			
1	22756	Tank-mount base	Consult
2	15180	Washer	Consult
3	22757	Load plate and clamp	Consult
4	15238	Cotter pin	Consult
5	22750	Pin	Consult
6	15182	Lock washer	Consult
7	15098	Clamp screw cap	Consult
8	17312	Load cell, RL75016SS - 10,000 lb	Consult
	17314	Load cell, RL75016SS - 15,000 lb	Consult
	17316	Load cell, RL75016SS - 20,000 lb	Consult
	17318	Load cell, RL75016SS - 25,000 lb	Consult
	67048	Load cell, RL75016WHE - 10,000 lb	Consult
	67049	Load cell, RL75016WHE - 15,000 lb	Consult
	67050	Load cell, RL75016WHE - 20,000 lb	Consult
	67051	Load cell, RL75016WHE - 25,000 lb	Consult
	36300	Sensortronics load cell, 65016W - 10,000 lb	Consult
	36301	Sensortronics load cell, 65016W - 15,000 lb	Consult
	36302	Sensortronics load cell, 65016W - 20,000 lb	Consult
	36303	Sensortronics load cell, 65016W - 25,000 lb	Consult

(See Diagram RL1600-D)



RL1600-D

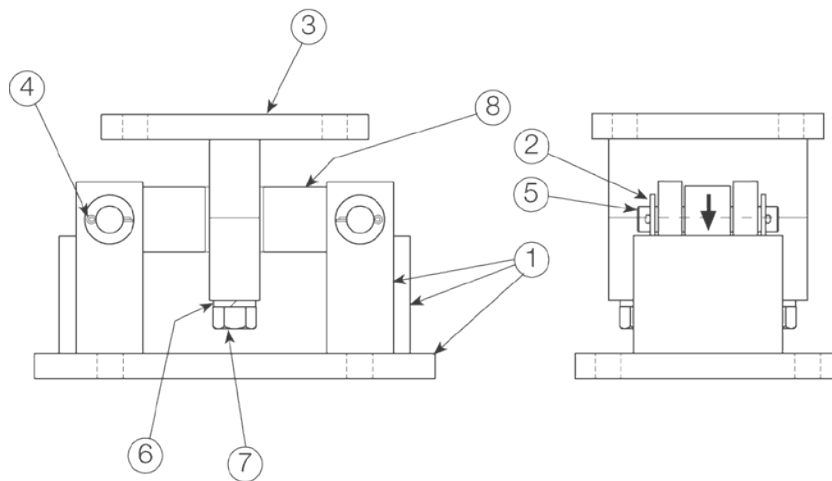
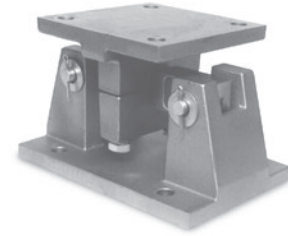
RL1600/65016 TWA Series Tank Weighing Assembly

Stainless Steel

Part Number/Price

Ref#	Part#	Description	Price
	16952	Installation manual	Consult
Rated Capacity: 50,000 lb and 75,000 lb			
1	10124	Tank-mount base	Consult
2	86516	Washer	Consult
3	10128	Load plate and clamp, 50,000 lb only	Consult
	25365	Load plate and clamp, 75,000 lb only*	Consult
4	15258	Cotter pin	Consult
5	22753	Pin	Consult
6	15189	Lock washer	Consult
7	14800	Clamp screw bolt	Consult
8	17320	Load cell, RL75016SS - 50,000 lb	Consult
	25356	Load cell, RL75016SS - 75,000 lb	Consult
	36304	Sensortronics load cell, 65016W - 50,000 lb	Consult
	36305	Sensortronics load cell, 65016W - 75,000 lb	Consult

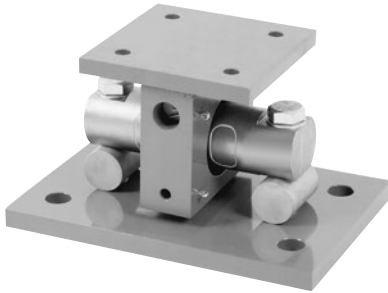
* Note: Square load cell clamp
(See Diagram RL1600-E)



RL1600-E

EZ Mount 1 Tank-mounting Assembly

Mild Steel



Part Number/Price

Ref#	Part#	Description	Price
	25710	Installation manual	Consult
Rated Capacity: 5,000 lb - 20,000 lb			
1	18273	Top-plate loading bracket	Consult
2	14773	Load cell bolt	Consult
3	15177	Washer	Consult
4	36263	Load cell, RL70000 - 5,000 lb	Consult
	36264	Load cell, RL70000 - 10,000 lb	Consult
	36265	Load cell, RL70000 - 20,000 lb	Consult
	34494	Load cell, RTI 5103 - 5,000 lb	Consult
	34495	Load cell, RTI 5103 - 10,000 lb	Consult
	34496	Load cell, RTI 5103 - 20,000 lb	Consult
5	18267	Load bearing pin	Consult
6	18264	Base plate	Consult
7	18270	Load pin	Consult
8	18261	Locating pin RTI	Consult
9	15229	Cotter pin	Consult
Rated Capacity: 30,000 lb - 60,000 lb			
1	18274	Top-plate loading bracket	Consult
2	14795	Load cell bolt	Consult
3	15184	Washer	Consult
4	36266	Load cell, RL70000 - 30,000 lb	Consult
	36267	Load cell, RL70000 - 40,000 lb	Consult
	36268	Load cell, RL70000 - 50,000 lb	Consult
	36269	Load cell, RL70000 - 60,000 lb	Consult
	34497	Load cell, RTI 5103 - 30,000 lb	Consult
	34498	Load cell, RTI 5103 - 40,000 lb	Consult
	34499	Load cell, RTI 5103 - 50,000 lb	Consult
	34500	Load cell, RTI 5103 - 60,000 lb	Consult
5	18268	Load bearing pin	Consult
6	18265	Base plate	Consult
7	18271	Load pin	Consult
8	18262	Locating pin	Consult
9	15251	Cotter pin	Consult
Rated Capacity: 100,000 lb and 150,000 lb			
1	18275	Top-plate loading bracket, 100,000 lb	Consult
1	29014	Top-plate loading bracket, 150,000 lb	Consult
2	14797	Load cell bolt	Consult
3	15184	Washer	Consult
4	36270	Load cell, RL70000 - 100,000 lb	Consult
	36976	Load cell, RL70000 - 150,000 lb	Consult
	34501	Load cell, RTI 5103 - 100,000 lb	Consult
	17292	Load cell, RTI 5103 - 150,000 lb	Consult
5	18269	Load bearing pin	Consult
6	18266	Base plate	Consult
7	18272	Load pin	Consult
8	18263	Locating pin	Consult
9	15257	Cotter pin	Consult
Rated Capacity: 200,000 lb and 250,000 lb			
1	26061	Top-plate loading bracket	Consult
2	26071	Load cell bolt	Consult
3	26070	Washer	Consult
4	17293	Load cell, RTI 5103 - 200,000 lb	Consult
	17294	Load cell, RTI 5103 - 250,000 lb	Consult
5	26073	Load bearing pin	Consult
6	26074	Base plate	Consult
7	26067	Load pin	Consult
8	26076	Locating pin	Consult
9	26069	Cotter pin	Consult

(See Diagram EZ Mount 1-A)

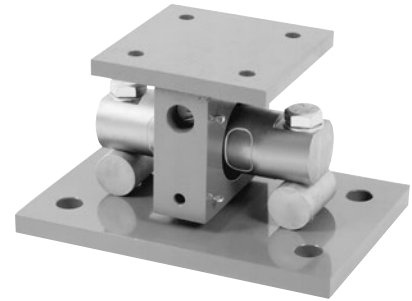
EZ Mount 1 Tank-mounting Assembly

Stainless Steel

Part Number/Price

Ref#	Part#	Description	Price
	25710	Installation manual	Consult
Rated Capacity: 5,000 lb - 20,000 lb			
1	18376	Top-plate loading bracket	Consult
2	14774	Load cell bolt	Consult
3	15178	Washer	Consult
4	30431	Load cell, RL70000SS - 5,000 lb	Consult
	30432	Load cell, RL70000SS - 10,000 lb	Consult
	30433	Load cell, RL70000SS - 20,000 lb	Consult
	118462	Load cell, RL72010MH - 5,000 lb	Consult
	118463	Load cell, RL72010MH - 10,000 lb	Consult
	118464	Load cell, RL72010MH - 20,000 lb	Consult
	17328	Load cell, RTI 9103 - 5,000 lb	Consult
	17329	Load cell, RTI 9103 - 10,000 lb	Consult
	17330	Load cell, RTI 9103 - 20,000 lb	Consult
5	18267	Load bearing pin	Consult
6	18370	Base plate	Consult
7	18270	Load pin	Consult
8	18373	Locating pin	Consult
9	15230	Cotter pin	Consult
Rated Capacity: 30,000 lb - 60,000 lb			
1	18377	Top-plate loading bracket	Consult
2	14796	Load cell bolt	Consult
3	15187	Washer	Consult
4	30434	Load cell, RL70000SS - 30,000 lb	Consult
	30435	Load cell, RL70000SS - 40,000 lb	Consult
	30436	Load cell, RL70000SS - 50,000 lb	Consult
	30437	Load cell, RL70000SS - 60,000 lb	Consult
	118465	Load cell, RL72010MH - 30,000 lb	Consult
	118466	Load cell, RL72010MH - 40,000 lb	Consult
	118467	Load cell, RL72010MH - 50,000 lb	Consult
	118468	Load cell, RL72010MH - 60,000 lb	Consult
	17333	Load cell, RTI 9103 - 50,000 lb	Consult
	17334	Load cell, RTI 9103 - 60,000 lb	Consult
5	18268	Load bearing pin	Consult
6	18371	Base plate	Consult
7	18271	Load pin	Consult
8	18374	Locating pin	Consult
9	15252	Cotter pin	Consult
Rated Capacity: 100,000 lb and 150,000 lb			
1	18378	Top-plate loading bracket, 100,000 lb	Consult
	29013	Top-plate loading bracket, 150,000 lb	Consult
2	14798	Load cell bolt	Consult
3	15187	Washer	Consult
4	30444	Load cell, RL70000SS - 100,000 lb	Consult
	30445	Load cell, RL70000SS - 150,000 lb	Consult
	17335	Load cell, RTI 9103 - 100,000 lb	Consult
	17336	Load cell, RTI 9103 - 150,000 lb	Consult
5	18269	Load bearing pin	Consult
6	18372	Base plate	Consult
7	18272	Load pin	Consult
8	18375	Locating pin	Consult
9	15258	Cotter pin	Consult

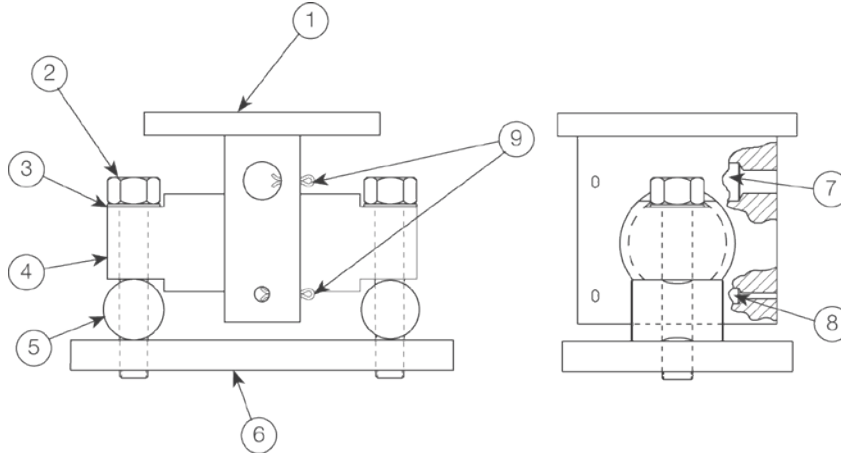
(See Diagram EZ Mount 1-A)



WEIGH MODULES

EZ Mount 1 Tank-mounting Assembly

Mild/Stainless Steel



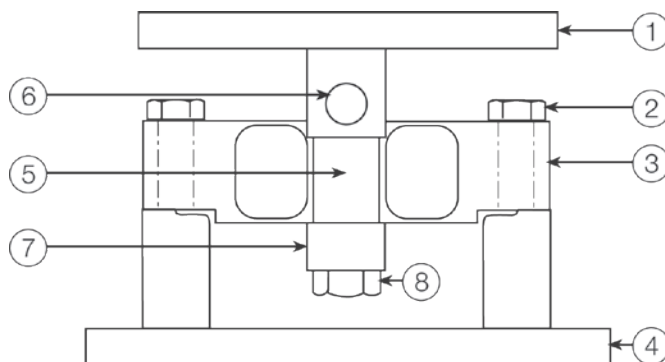
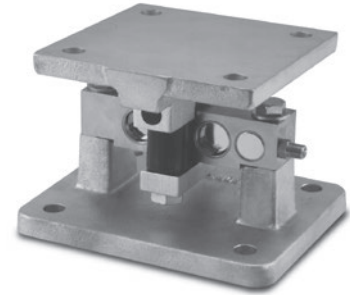
EZ Mount 1-A

SURVIVOR® 2100HE Weigh Modules

Part Number/Price

Ref#	Part#	Description	Price
20,000 lb - 25,000 lb capacity			
1	33013	Top-plate, stainless steel	Consult
2	33474	Load cell bolt, stainless steel	Consult
3	53481	Load cell, RL75060S - 20,000 lb	Consult
	50559	Load cell, RL75060S - 25,000 lb	Consult
4	33012	Base plate, stainless steel	Consult
5	33015	Bushing set, rubber tube	Consult
6	33014	Load pin, stainless steel	Consult
7	33105	Retaining plate, stainless steel	Consult
8	33473	Retaining bolt, stainless steel	Consult
35,000 lb - 75,000 lb capacity			
1	33008	Top-plate, stainless steel	Consult
2	33431	Load cell bolt, stainless steel	Consult
3	50560	Load cell, RL75060S - 35,000 lb	Consult
	50561	Load cell, RL75060S - 50,000 lb	Consult
	50562	Load cell, RL75060S - 60,000 lb	Consult
	50563	Load cell, RL75060S - 75,000 lb	Consult
4	33007	Base plate, stainless steel	Consult
5	33020	Bushing set, rubber tube	Consult
6	33009	Load pin, stainless steel	Consult
7	33106	Retaining plate, stainless steel	Consult
8	33469	Retaining bolt, stainless steel	Consult
100,000 lb capacity			
1	33008	Top-plate, stainless steel	Consult
2	33431	Load cell bolt, stainless steel	Consult
3	50564	Load cell, RL75060S - 100,000 lb	Consult
4	33007	Base plate, stainless steel	Consult
5	33010	Bushing set, rubber tube	Consult
6	33009	Load pin, stainless steel	Consult
7	33107	Retaining plate, stainless steel	Consult
8	33430	Retaining bolt, stainless steel	Consult

(See Diagram SURVIVOR 2100HE-A)

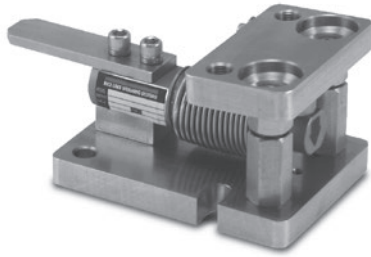


SURVIVOR 2100HE-A

WEIGH MODULES

SURVIVOR® 1700HE Weigh Modules

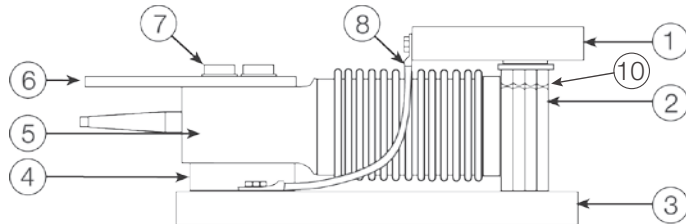
Stainless Steel



Part Number/Price

Ref#	Part#	Description	Price
Rated Capacity: 5 kg - 250 kg			
1	33036	Top-plate, stainless steel	Consult
2	125661	Coupling nut	Consult
3	33035	Base plate, stainless steel	Consult
4	33037	Load cell spacer, stainless steel	Consult
5	32678	Load cell, RLHBB - 5 kg, OIML C3	Consult
	31259	Load cell, RLHBB - 20 kg, OIML C3	Consult
	31260	Load cell, RLHBB - 50 kg, OIML C3	Consult
	31261	Load cell, RLHBB - 100 kg, OIML C3	Consult
	31262	Load cell, RLHBB - 200 kg, OIML C3	Consult
	31263	Load cell, RLHBB - 250 kg, OIML C3	Consult
6	33038	Cable guard plate, stainless steel	Consult
7	33040	Load cell bolt, stainless steel	Consult
8	33039	Ground strap	Consult
	49504	Load button	Consult
9	15058	Cap screw	Consult
10	14662	Jam nut	Consult
Rated Capacity: 500 kg - 2,000 kg			
1	159182	Top-plate, stainless steel	Consult
2	125661	Coupling nut	Consult
3	159181	Base plate, stainless steel	Consult
4	159186	Load cell spacer, stainless steel	Consult
5	31253	Load cell, RLHTO - 500 kg, OIML C3	Consult
	31250	Load cell, RLHTO - 1000 kg, OIML C3	Consult
	31251	Load cell, RLHTO - 2000 kg, OIML C3	Consult
6	159187	Cable guard plate, stainless steel	Consult
7	159191	Load cell bolt, stainless steel	Consult
8	159183	Ground strap	Consult
9	104283	Cap screw	Consult
10	159188	Load button	Consult
11	14662	Jam nut	Consult
Rated Capacity: 5000 kg			
1	33043	Top-plate, stainless steel	Consult
2	33048	Checking/jacking assembly, stainless steel	Consult
3	33042	Base plate, stainless steel	Consult
4	33044	Load cell spacer, stainless steel	Consult
5	31252	Load cell, RLHTO - 5000 kg, OIML C3	Consult
6	33045	Cable guard plate, stainless steel	Consult
7	33047	Load cell bolt set, stainless steel	Consult
8	33046	Ground strap	Consult

(See Diagram SURVIVOR 1700HE-A)



SURVIVOR 1700HE-A

Weigh Modules

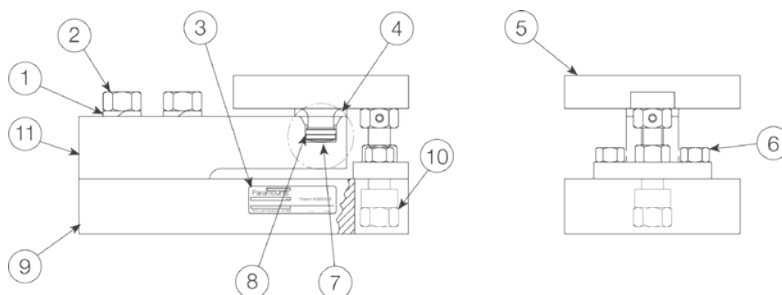
Paramounts® Mounting Assembly-Fixed Pin Mount

Mild Steel

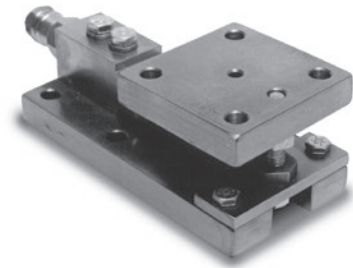
Part Number/Price

Ref#	Part#	Description	Price
	16953	Installation manual	Consult
Rated Capacity: 2.3 KN (520 lb)			
1	15167	Lock washer	Consult
2	15080	Load cell screw	Consult
3	16877	Label, Paramount	Consult
4	18332	Gasket	Consult
5	18312	Top-plate	Consult
6	15019	Washer-plate screws	Consult
7	18340	Fixed load pin	Consult
8	15325	O-ring	Consult
9	37896	Base plate	Consult
10	37891	Bolt, washer-plate and sleeve assembly	Consult
11	38215	Load cell, Flintec SB 10-2.3 KN (520 lb)	Consult
Rated Capacity: 5 KN (1,125 lb) - 23 KN (5,200 lb)			
1	15167	Lock washer	Consult
2	15080	Load cell screw	Consult
3	16877	Label, Paramount	Consult
4	18332	Gasket	Consult
5	18312	Top-plate	Consult
6	15019	Washer-plate screws	Consult
7	18340	Fixed load pin	Consult
8	15325	O-ring	Consult
9	18284	Base plate	Consult
10	18417	Bolt, washer-plate and sleeve assembly	Consult
See current load cell guide for complete line of SB4 and SB5 load cells			
	100169	Load cell, Flintec SB4 - 5 KN (1,125 lb Paramounts)	Consult
	100170	Load cell, Flintec SB4 - 10 KN (2,250 lb Paramounts)	Consult
	100171	Load cell, Flintec SB4 - 23 KN (5,200 lb Paramounts)	Consult
	100174	Load cell, Flintec SB5 - 5 KN (1,125 lb Paramounts EP)	Consult
	100175	Load cell, Flintec SB5 - 10 KN (2,250 lb Paramounts EP)	Consult
	100176	Load cell, Flintec SB5 - 20 KN (4,500 lb Paramount EP)	Consult
Rated Capacity: 50 KN (11,250 lb)			
1	15181	Lock washer	Consult
2	15097	Load cell screw	Consult
3	16877	Label, Paramount	Consult
4	18333	Gasket	Consult
5	18313	Top-plate	Consult
6	15059	Washer-plate screws	Consult
7	18341	Fixed load pin	Consult
8	15326	O-ring	Consult
9	18285	Base plate	Consult
10	18418	Bolt, washer-plate and sleeve assembly	Consult
See current load cell guide for complete line of SB4 and SB5 load cells			
	100173	Load cell, Flintec SB4 - 50 KN (11,250 lb Paramounts)	Consult
	100177	Load cell, Flintec SB5 - 50KN (11,250 lb Paramounts EP)	Consult

(See Diagram Fixed Pin Paramounts-A)



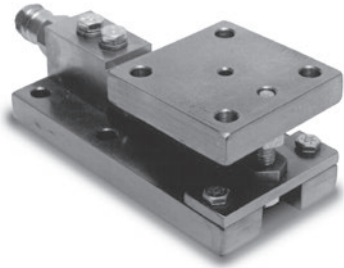
Fixed Pin
Paramounts-A



WEIGH MODULES

Paramounts® Mounting Assembly-Fixed Pin Mount

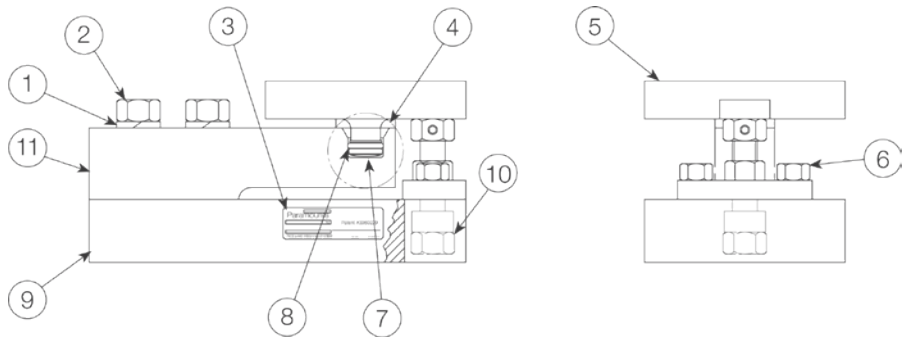
Mild Steel



Part Number/Price

Ref#	Part#	Description	Price
	16953	Installation manual	Consult
Rated Capacity: 100 KN (22,500 lb)			
1	15185	Lock washer	Consult
2	15102	Load cell screw	Consult
3	16877	Label, Paramount	Consult
4	18334	Gasket	Consult
5	18314	Top-plate	Consult
6	15091	Washer-plate screws	Consult
7	18342	Fixed load pin	Consult
8	15327	O-ring	Consult
9	18286	Base plate	Consult
10	18419	Bolt, washer-plate and sleeve assembly	Consult
See current load cell guide for complete line of SB4 and SB5 load cells			
	100168	Load cell, Flintec SB4 - 100 KN (22,500 lb Paramounts)	Consult
	100178	Load cell, Flintec SB5 - 100 KN (22,500 lb Paramounts EP)	Consult

(See Diagram Fixed Pin Paramounts-A)

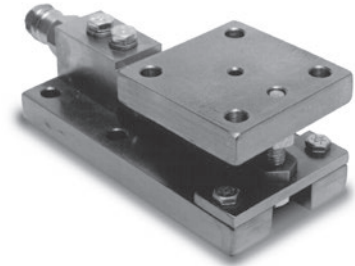


Fixed Pin
Paramounts-A

Weigh Modules

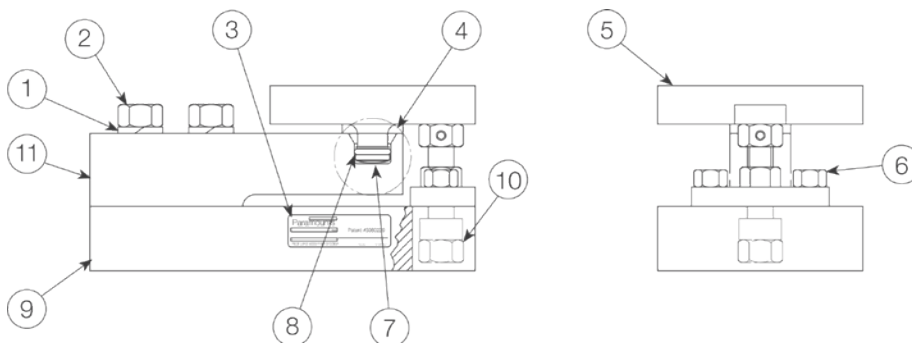
Paramounts® Mounting Assembly-Fixed Pin Mount

Stainless Steel



Ref#	Part#	Description	Price
	16953	Installation manual	Consult
Rated Capacity: 2.3 KN (520 lb)			
1	15168	Lock washer	Consult
2	15081	Load cell screw	Consult
3	16877	Label, Paramounts	Consult
4	18332	Gasket	Consult
5	18316	Top-plate	Consult
6	15020	Washer-plate screws	Consult
7	18340	Fixed load pin	Consult
8	15325	O-ring	Consult
9	37895	Base plate	Consult
10	37892	Bolt, washer-plate and sleeve assembly	Consult
11	38215	Load cell, Flintec SB10 - 2.3 KN (520 lb)	Consult
Rated Capacity: 5 KN (1,125 lb) - 23 KN (5,200 lb)			
1	15168	Lock washer	Consult
2	15081	Load cell screw	Consult
3	16877	Label, Paramounts	Consult
4	18332	Gasket	Consult
5	18316	Top-plate	Consult
6	15020	Washer-plate screws	Consult
7	18340	Fixed load pin	Consult
8	15325	O-ring	Consult
9	18288	Base plate	Consult
10	18427	Bolt, washer-plate and sleeve assembly	Consult
See current load cell guide for complete line of SB4 and SB5 load cells			
	100169	Load cell, Flintec SB4 - 5 KN (1,125 lb)	Consult
	100170	Load cell, Flintec SB4 - 10 KN (2,250 lb)	Consult
	100171	Load cell, Flintec SB4 - 23 KN (5,200 lb)	Consult
Rated Capacity: 50 KN (11,250 lb)			
1	15182	Lock washer	Consult
2	15098	Load cell screw	Consult
3	16877	Label, Paramounts	Consult
4	18333	Gasket	Consult
5	18317	Top-plate	Consult
6	15060	Washer-plate screws	Consult
7	18341	Fixed load pin	Consult
8	15326	O-ring	Consult
9	18289	Base plate	Consult
10	18428	Bolt, washer-plate and sleeve assembly	Consult
See current load cell guide for complete line of SB4 and SB5 load cells			
	100173	Load cell, Flintec SB4 - 50 KN (11,250 lb)	Consult

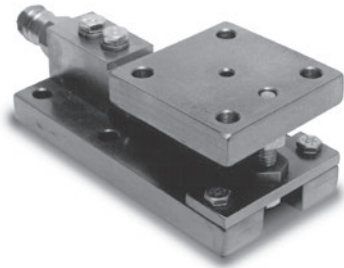
(See Diagram Fixed Pin Paramounts-A)



Fixed Pin
Paramounts-A

Paramounts® Mounting Assembly-Fixed Pin Mount

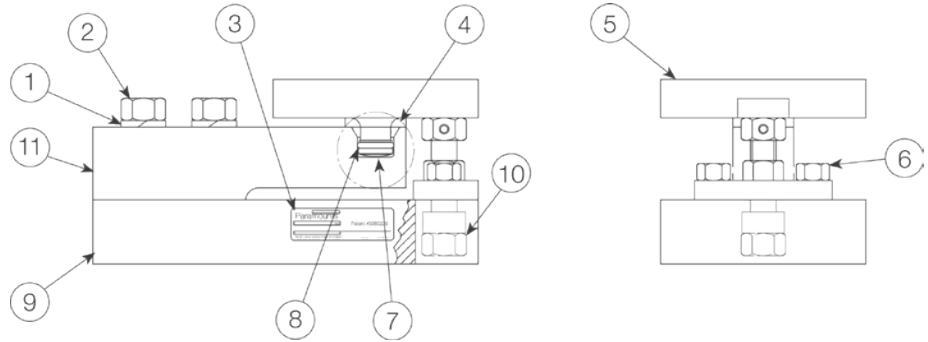
Stainless Steel



Part Number/Price

Ref#	Part#	Description	Price
	16953	Installation manual	Consult
Rated Capacity: 100 KN (22,500 lb)			
1	15186	Lock washer	Consult
2	15103	Load cell screw	Consult
3	16877	Label, Paramounts	Consult
4	18334	Gasket	Consult
5	18318	Top-plate	Consult
6	15092	Washer-plate screws	Consult
7	18342	Fixed load pin	Consult
8	15327	O-ring	Consult
9	18290	Base plate	Consult
10	18429	Bolt, washer-plate and sleeve assembly	Consult
See current load cell guide for complete line of SB4 and SB5 load cells			
	100168	Load cell, Flintec SB4 - 100 KN (22,500 lb)	Consult

(See Diagram Fixed Pin Paramounts-A)



Fixed Pin
Paramounts-A

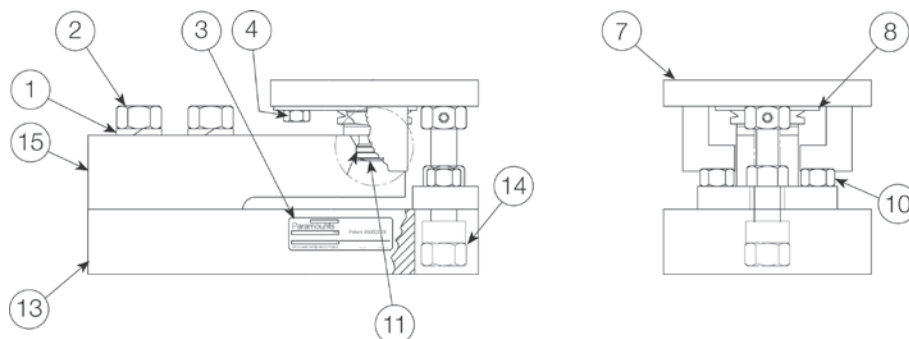
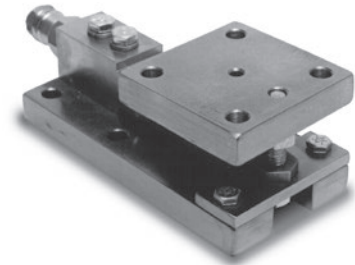
Paramounts® Mounting Assembly-Side Stop Mount

Mild Steel

Part Number/Price

Ref#	Part#	Description	Price
	16953	Installation manual	Consult
Rated Capacity: 2.3 KN (520 lb)			
1	15167	Lock washer	Consult
2	15080	Load cell screws	Consult
3	16877	Label, Paramount	Consult
4	14955	Slide plate screws	Consult
7	18296	Top-plate	Consult
8	18292	Slide plate, SS	Consult
10	15019	Washer-plate screws	Consult
11	51789	Sliding load pin, sub assembly	Consult
13	37896	Base plate	Consult
14	37889	Bolt, washer-plate and sleeve assembly	Consult
15	38215	Load cell, Flintec SB10 - 2.3 KN (520 lb)	Consult
Rated Capacity: 5 KN (1,125 lb) - 23 KN (5,200 lb)			
1	15167	Lock washer	Consult
2	15080	Load cell screws	Consult
3	16877	Label, Paramount	Consult
4	14955	Slide plate screws	Consult
7	18296	Top-plate	Consult
8	18292	Slide plate, SS	Consult
10	15019	Washer-plate screws	Consult
11	51789	Sliding load pin, sub assembly	Consult
13	18284	Base plate	Consult
14	18431	Bolt, washer-plate and sleeve assembly	Consult
See current load cell guide for complete line of SB4 and SB5 load cells			
	100169	Load cell, Flintec SB4 - 5KN (1,125lb Paramounts)	Consult
	100170	Load cell, Flintec SB4 - 10 KN (2,250 lb Paramounts)	Consult
	100171	Load cell, Flintec SB4 - 23 KN (5,200 lb Paramounts)	Consult
	100174	Load cell, Flintec SB5 - 5 KN (1,125 lb Paramounts EP)	Consult
	100175	Load cell, Flintec SB5 - 10 KN (2,250 lb Paramounts EP)	Consult
	100176	Load cell, Flintec SB5 - 20 KN (4,500 lb Paramounts EP)	Consult

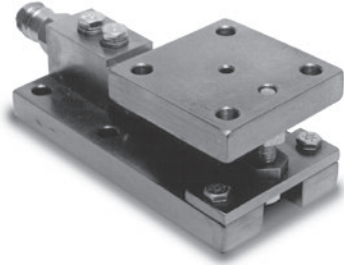
(See Diagram Side Stop Paramounts-A)



Side Stop
Paramounts-A

Paramounts® Mounting Assembly-Side Stop Mount

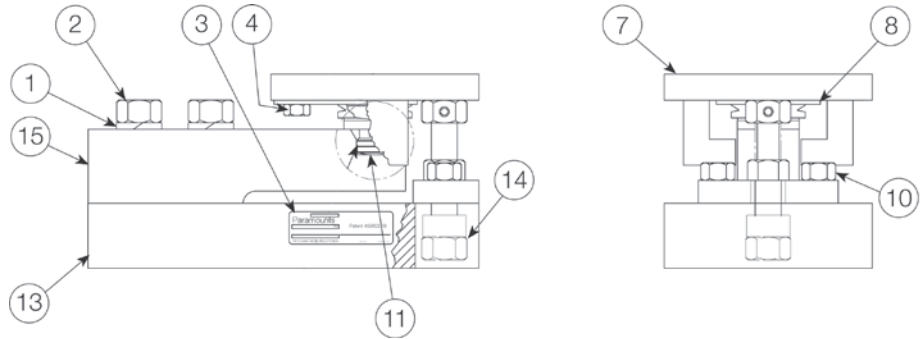
Mild Steel



Part Number/Price

Ref#	Part#	Description	Price
	16953	Installation manual	Consult
Rated Capacity: 50 KN (11,250 lb)			
1	15181	Lock washer	Consult
2	15097	Load cell screws	Consult
3	16877	Label, Paramount	Consult
4	14955	Slide plate screws	Consult
7	18297	Top-plate	Consult
8	18293	Slide plate, SS	Consult
10	15059	Washer-plate screws	Consult
11	51790	Sliding load pin, sub assembly	Consult
13	18285	Base plate	Consult
14	18432	Bolt, washer-plate and sleeve assembly	Consult
See current load cell guide for complete line of SB4 and SB5 load cells			
15	100173	Load cell, Flintec SB4 - 50 KN (11,250 lb Paramounts)	Consult
15	100177	Load cell, Flintec SB5 - 50 KN (11,250 lb Paramounts EP)	Consult
Rated Capacity: 100 KN (22,500 lb)			
1	15185	Lock washer	Consult
2	15102	Load cell screws	Consult
3	16877	Label, Paramount	Consult
4	14955	Slide plate screws	Consult
7	18298	Top-plate	Consult
8	18294	Slide plate, SS	Consult
10	15091	Washer-plate screws	Consult
11	51791	Sliding load pin, sub assembly	Consult
13	18286	Base plate	Consult
14	18433	Bolt, washer-plate and sleeve assembly	Consult
See current load cell guide for complete line of SB4 and SB5 load cells			

(See Diagram Side Stop Paramounts-B)



Side Stop
Paramounts-B

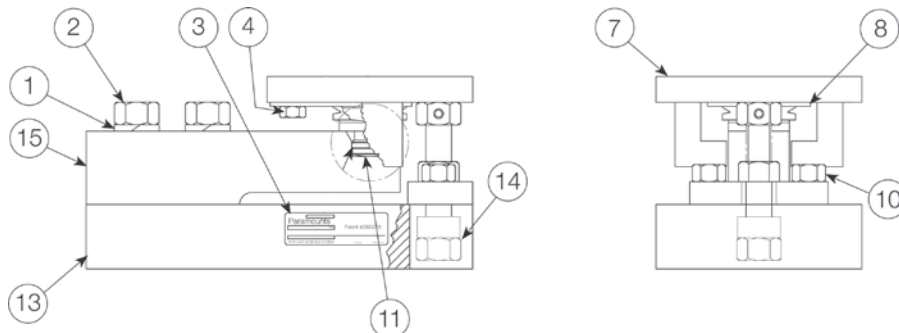
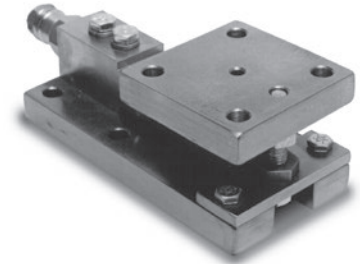
Paramounts® Mounting Assembly-Side Stop Mount

Stainless Steel

Part Number/Price

Ref#	Part#	Description	Price
	100168	Load cell, Flintec SB4 - 100 KN (22,500 lb Paramounts)	Consult
	100178	Load cell, Flintec SB5 - 100 KN (22,500 lb Paramounts EP)	Consult
	16953	Installation manual	Consult
Rated Capacity: 2.3 KN (520 lb)			
1	15168	Lock washer	Consult
2	15081	Load cell screws	Consult
3	16877	Label, Paramount	Consult
4	14956	Slide plate screws	Consult
7	18300	Top-plate	Consult
8	18292	Slide plate, SS	Consult
9	15321	V-ring	Consult
10	15020	Washer-plate screws	Consult
11	51789	Sliding load pin, sub assembly	Consult
13	37895	Base plate	Consult
14	37890	Bolt, washer-plate and sleeve assembly	Consult
	38215	Load cell, Flintec SB10 - 2.3 KN (520 lb)	Consult
Rated Capacity: 5 KN (1,125 lb) - 23 KN (5,200 lb)			
1	15168	Lock washer	Consult
2	15081	Load cell screws	Consult
3	16877	Label, Paramount	Consult
4	14956	Slide plate screws	Consult
5	18332	Gasket	Consult
6	18328	Sliding plate, PTFE coated	Consult
7	18300	Top-plate	Consult
8	18292	Slide plate, SS	Consult
9	15321	V-ring	Consult
10	15020	Washer-plate screws	Consult
11	51789	Sliding load pin, sub assembly	Consult
12	15325	O-ring	Consult
13	18288	Base plate	Consult
14	18435	Bolt, washer-plate and sleeve assembly	Consult
See current load cell guide for complete line of SB4 and SB5 load cells			
	100169	Load cell, Flintec SB4 - 5 KN (1,125 lb)	Consult
	100170	Load cell, Flintec SB4 - 10 KN (2,250 lb)	Consult
	100171	Load cell, Flintec SB4 - 23 KN (5,200 lb)	Consult

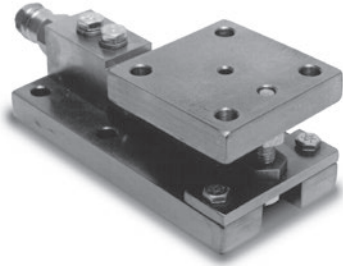
(See Diagram Side Stop Paramounts-C)



Side Stop
Paramounts-C

Paramounts® Mounting Assembly-Side Stop Mount

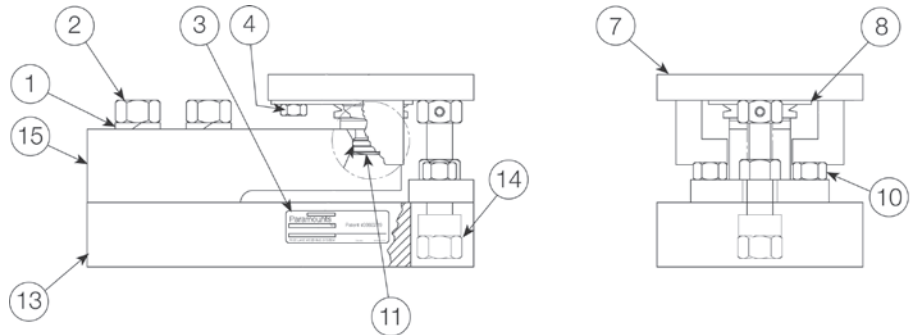
Stainless Steel



Part Number/Price

Ref#	Part#	Description	Price
	16953	Installation manual	Consult
Rated Capacity: 50 KN (11,250 lb)			
1	15182	Lock washer	Consult
2	15098	Load cell screws	Consult
3	16877	Label, Paramount	Consult
4	14956	Slide plate screws	Consult
7	17008	Top-plate	Consult
8	18293	Slide plate, SS	Consult
10	15060	Washer-plate screws	Consult
11	51790	Sliding load pin, sub assembly	Consult
13	18289	Base plate	Consult
14	18436	Bolt, washer-plate and sleeve assembly	Consult
See current load cell guide for complete line of SB4 load cells			
	100173	Load cell, Flintec SB4 - 50 KN (11,250 lb)	Consult
Rated Capacity: 100 KN (22,500 lb)			
1	15186	Lock washer	Consult
2	15103	Load cell screws	Consult
3	16877	Label, Paramount	Consult
4	14956	Slide plate screws	Consult
7	18302	Top-plate	Consult
8	18294	Slide plate, SS	Consult
10	15092	Washer-plate screws	Consult
11	51791	Sliding load pin, sub assembly	Consult
13	18290	Base plate	Consult
14	18437	Bolt, washer-plate and sleeve assembly	Consult
See current load cell guide for complete line of SB4 load cells			
	100168	Load cell, Flintec SB4 - 100 KN (22,500 lb)	Consult

(See Diagram Side Stop Paramounts-D)



Side Stop
Paramounts-D

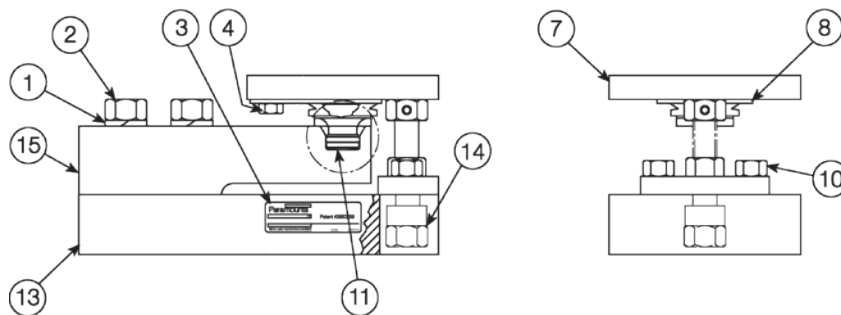
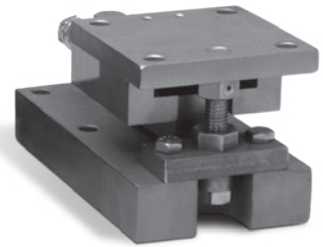
Paramounts® Mounting Assembly-Free Sliding Mount

Mild Steel

Part Number/Price

Ref#	Part#	Description	Price
	16953	Installation manual	Consult
Rated Capacity: 2.3 KN (520 lb)			
1	15167	Lock washer	Consult
2	15080	Load cell screws	Consult
3	16877	Label, Paramount	Consult
4	14955	Slide plate screws	Consult
7	18304	Top-plate	Consult
8	18292	Slide plate, stainless steel	Consult
10	15019	Washer-plate screws	Consult
11	51789	Sliding load pin, sub assembly	Consult
13	37896	Base plate	Consult
14	37889	Bolt, washer-plate and sleeve assembly	Consult
15	38215	Load cell, Flintec SB10 - 2.3 KN (520 lb)	Consult
Rated Capacity: 5 KN (1,125 lb) - 23 KN (5,200 lb)			
1	15167	Lock washer	Consult
2	15080	Load cell screws	Consult
3	16877	Label, Paramount	Consult
4	14955	Slide plate screws	Consult
7	18304	Top-plate	Consult
8	18292	Slide plate, stainless steel	Consult
10	15019	Washer-plate screws	Consult
11	51789	Sliding load pin, sub assembly	Consult
13	18284	Base plate	Consult
14	18431	Bolt, washer-plate and sleeve assembly	Consult
See current load cell guide for complete line of SB4 and SB5 load cells			
	100169	Load cell, Flintec SB4 - 5 KN (1,125 lb Paramounts)	Consult
	100170	Load cell, Flintec SB4 - 10 KN (2,250 lb Paramounts)	Consult
	100171	Load cell, Flintec SB4 - 23 KN (5,200 lb Paramounts)	Consult
	100174	Load cell, Flintec SB5 - 5 KN (1,125 lb Paramounts EP)	Consult
	100175	Load cell, Flintec SB5 - 10 KN (2,250 lb Paramounts EP)	Consult
	100176	Load cell, Flintec SB5 - 20 KN (4,500 lb Paramounts EP)	Consult

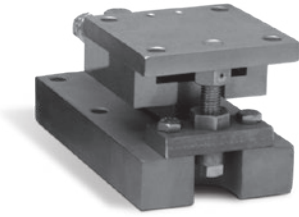
(See Diagram Free Sliding Paramounts-A)



Free Sliding Paramounts-A

Paramounts® Mounting Assembly-Free Sliding Mount

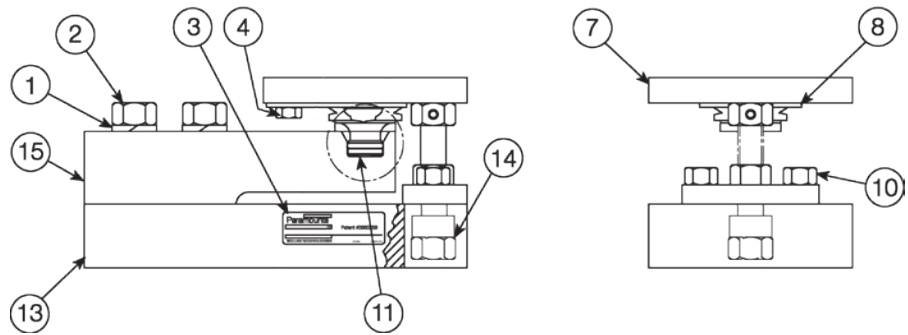
Mild Steel



Part Number/Price

Ref#	Part#	Description	Price
	16953	Installation manual	Consult
Rated Capacity: 50 KN (11,250 lb)			
1	15181	Lock washer	Consult
2	15097	Load cell screws	Consult
3	16877	Label, Paramount	Consult
4	14955	Slide plate screws	Consult
7	18305	Top-plate	Consult
8	18293	Slide plate, stainless steel	Consult
10	15059	Washer-plate screws	Consult
11	51790	Sliding load pin, sub assembly	Consult
13	18285	Base plate	Consult
14	18432	Bolt, washer-plate and sleeve assembly	Consult
See current load cell guide for complete line of SB4 and SB5 load cells			
	100173	Load cell, Flintec SB4 - 50 KN (11,250 lb Paramounts)	Consult
	100177	Load cell, Flintec SB5 - 50 KN (11,250 lb Paramounts EP)	Consult
Rated Capacity: 100 KN (22,500 lb)			
1	15185	Lock washer	Consult
2	15102	Load cell screws	Consult
3	16877	Label, Paramount	Consult
4	14955	Slide plate screws	Consult
7	18306	Top-plate	Consult
8	18294	Slide plate, stainless steel	Consult
10	15091	Washer-plate screws	Consult
11	51791	Sliding load pin, sub assembly	Consult
13	18286	Base plate	Consult
14	18433	Bolt, washer-plate and sleeve assembly	Consult
See current load cell guide for complete line of SB4 and SB5 load cells			
15	100168	Load cell, Flintec SB4 - 100 KN (22,500 lb Paramounts)	Consult
	100178	Load cell, Flintec SB5 - 100 KN (22,500 lb Paramounts EP)	Consult

(See Diagram Free Sliding Paramounts-B)



Free Sliding
Paramounts-B

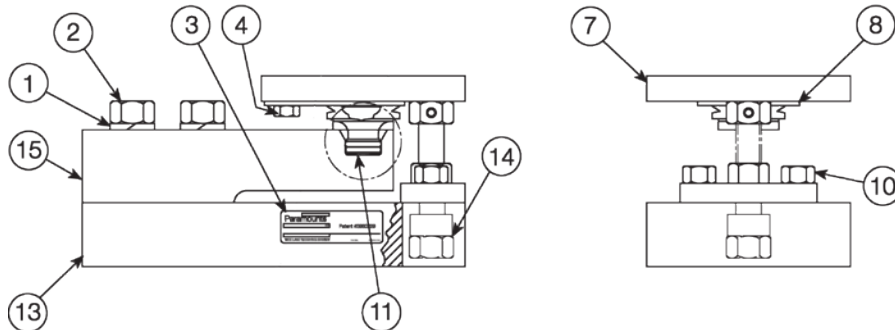
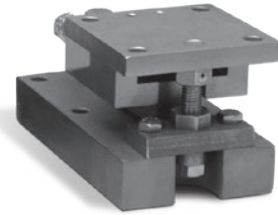
Paramounts® Mounting Assembly-Free Sliding Mount

Stainless Steel

Part Number/Price

Ref#	Part#	Description	Price
	16953	Installation manual	Consult
Rated Capacity: 2.3 KN (520 lb)			
1	15168	Lock washer	Consult
2	15081	Load cell screws	Consult
3	16877	Label, Paramount	Consult
4	14956	Slide plate screws	Consult
7	18308	Top-plate	Consult
8	18292	Slide plate, stainless steel	Consult
10	15020	Washer-plate screws	Consult
11	51789	Sliding load pin, sub assembly	Consult
13	37895	Base plate	Consult
14	37890	Bolt, washer-plate and sleeve assembly	Consult
15	38215	Load cell, Flintec SB10 - 2.3 KN (520 lb Paramounts EP)	Consult
Rated Capacity: 5 KN (1,125 lb) - 23 KN (5,200 lb)			
1	15168	Lock washer	Consult
2	15081	Load cell screws	Consult
3	16877	Label, Paramount	Consult
4	14956	Slide plate screws	Consult
7	18308	Top-plate	Consult
8	18292	Slide plate, stainless steel	Consult
10	15020	Washer-plate screws	Consult
11	51789	Sliding load pin, sub assembly	Consult
13	18288	Base plate	Consult
14	18435	Bolt, washer-plate and sleeve assembly	Consult
See current load cell guide for complete line of SB4 load cells			
15	100169	Load cell, Flintec SB4 - 5 KN (1,125 lb)	Consult
	100170	Load cell, Flintec SB4 - 10 KN (2,250 lb)	Consult
	100171	Load cell, Flintec SB4 - 23 KN (5,200 lb)	Consult

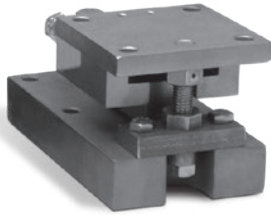
(See Diagram Free Sliding Paramounts-C)



Free Sliding
Paramounts-C

Paramounts® Mounting Assembly-Free Sliding Mount

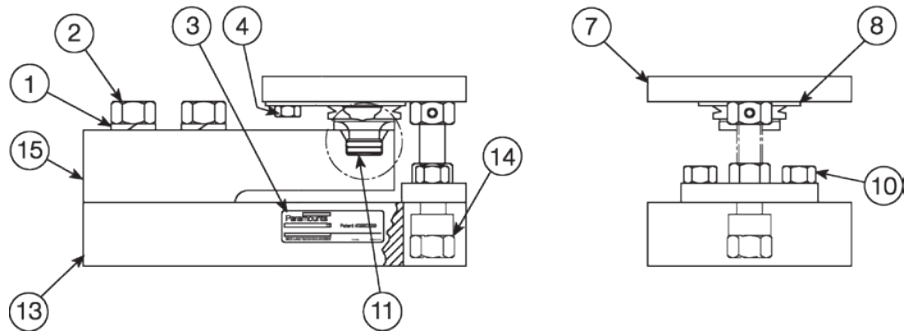
Stainless Steel



Part Number/Price

Ref#	Part#	Description	Price
	16953	Installation manual	Consult
Rated Capacity: 50 KN (11,250 lb)			
1	15182	Lock washer	Consult
2	15098	Load cell screws	Consult
3	16877	Label, Paramount	Consult
4	14956	Slide plate screws	Consult
7	18309	Top-plate	Consult
8	18293	Slide plate, stainless steel	Consult
10	15060	Washer-plate screws	Consult
11	51790	Sliding load pin, sub assembly	Consult
13	18289	Base plate	Consult
14	18436	Bolt, washer-plate and sleeve assembly	Consult
See current load cell guide for complete line of SB4 load cells			
15	100173	Load cell, Flintec SB4 - 50 KN (11,250 lb)	Consult
Rated Capacity: 100 KN (22,500 lb)			
1	15186	Lock washer	Consult
2	15103	Load cell screws	Consult
3	16877	Label, Paramount	Consult
4	14956	Slide plate screws	Consult
7	18310	Top-plate	Consult
8	18294	Slide plate, stainless steel	Consult
10	15092	Washer-plate screws	Consult
11	51791	Sliding load pin, sub assembly	Consult
13	18290	Base plate	Consult
14	18437	Bolt, washer-plate and sleeve assembly	Consult
See current load cell guide for complete line of SB4 load cells			
15	100168	Load cell, Flintec SB4 - 100 KN (22,500 lb)	Consult

(See Diagram Free Sliding Paramounts-D)

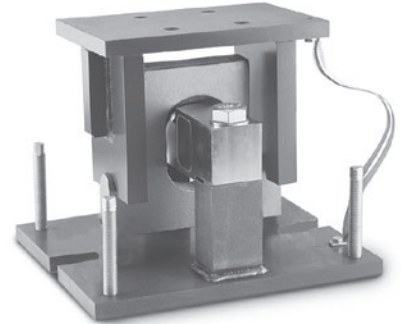


Free Sliding
Paramounts-D

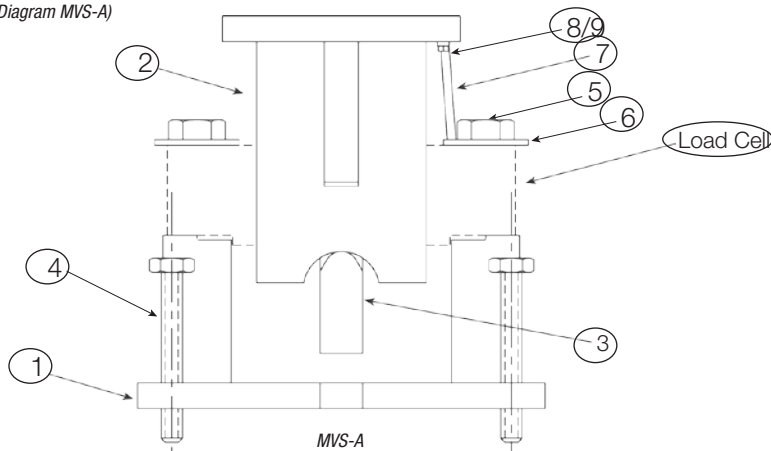
MVS Truck Scale Weigh Module

Part Number/Price

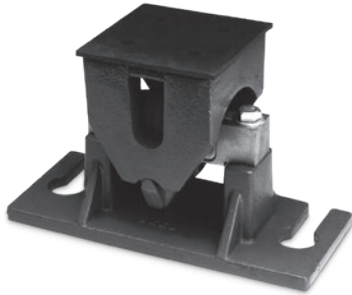
Ref #	Part#	Description	Price
Rated Capacity: 10,000 lb – 25,000 lb			
1	71203	Base	Consult
2	71205	Upper chair	Consult
3	71373	Load link	Consult
4	44382	Leveling bolt	Consult
5	14772	Load cell bolt	Consult
6	15177	Plain washer	Consult
7	17778	Ground strap	Consult
8	14886	Machine screw (1/4 in x 28 in x 1/2 in)	Consult
9	15147	Lock washer	Consult
See current load cell guide for complete line of load cells			
	41890	Load cell, RL75058 - 10,000 lb (Non-NTEP)	Consult
	34314	Load cell, RL75058 - 20,000 lb	Consult
	34315	Load cell, RL75058 - 25,000 lb	Consult
	49940	Installation manual	Consult
Rated Capacity: 50,000 lb – 75,000 lb			
1	61148	Base	Consult
2	46440	Upper chair for SR Series Truck Scale (new style)	Consult
2	45683	Upper chair for EZ Series Truck Scale (old style)	Consult
3	50101	Load link	Consult
4	44382	Leveling bolt	Consult
5	37888	Load cell bolt	Consult
6	15184	Plain washer	Consult
7	17779	Ground strap	Consult
8	14886	Machine screw (1/4 in x 28 in x 1/2 in)	Consult
9	15147	Lock washer	Consult
See current load cell guide for complete line of load cells			
	34317	Load cell, RL75058 - 50,000 lb	Consult
	34318	Load cell, RL75058 - 60,000 lb	Consult
	34319	Load cell, RL75058 - 75,000 lb	Consult
	39516	Load cell, RL75058 - 75,000 lb with 60' of cable	Consult
	49940	Installation manual	Consult
Rated Capacity: 100,000 lb and 125,000 lb			
1	68544	Base	Consult
2	68990	Upper chair	Consult
3	68549	Load link	Consult
4	44382	Leveling bolt	Consult
5	68656	Load cell bolt	Consult
6	68655	Plain washer	Consult
7	17780	Ground strap	Consult
8	14886	Machine screw (1/4 in x 28 in x 1/2 in)	Consult
9	15147	Lock washer	Consult
	34320	Load cell, RL75058 - 100,000 lb	Consult
	34321	Load cell, RL75058 - 125,000 lb	Consult
	49940	Installation manual	Consult



(See Diagram MVS-A)



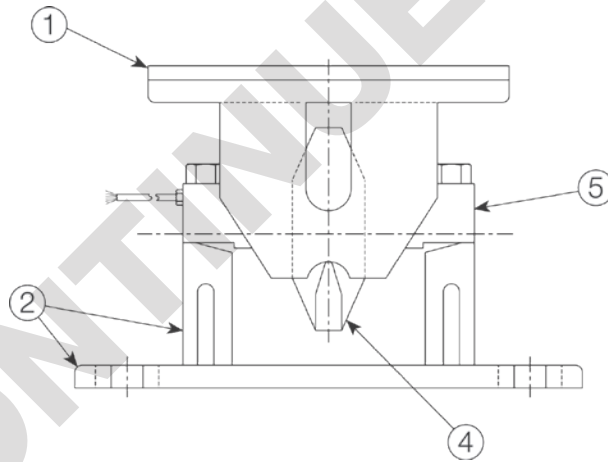
TSA Truck Scale Assembly



Part Number/Price

Ref#	Part#	Description	Price
Rated Capacity: 10,000 lb - 25,000 lb			
1	21705	Rubber pad	Consult
2	18471	Base stand	Consult
4	18473	Load link	Consult
5	17287	Load cell, Sencortronics 65058 - 10,000 lb	Consult
	41890	Load cell, RL75058 - 10,000 lb	Consult
	34314	Load cell, RL75058 - 20,000 lb	Consult
	34315	Load cell, RL75058 - 25,000 lb	Consult
Rated Capacity: 50,000 lb - 75,000 lb			
1	21706	Rubber pad	Consult
2	18472	Base stand	Consult
4	34317	Load cell, RL75058 - 50,000 lb	Consult
	34318	Load cell, RL75058 - 60,000 lb	Consult
	34319	Load cell, RL75e058 - 75,000 lb	Consult

(See Diagram TSA-A)



TSA-A

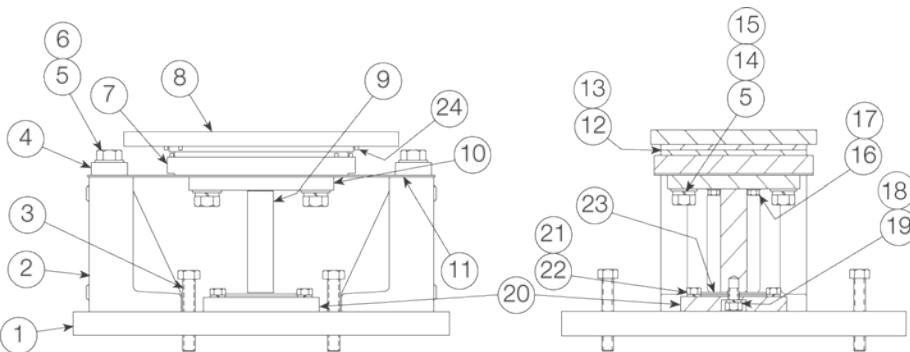
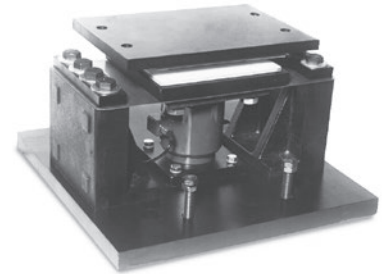
Truck and Railroad Truck Mount Assembly

Magnamount® Tank

Part Number/Price

Ref#	Part#	Description	Price
	25707	Installation manual	Consult
Rated Capacity: 50,000 lb			
1	22163	Base plate	Consult
2	22165	Stand	Consult
3	22281	Hex-head leveling screw	Consult
4	22155	Anchor block	Consult
5	15177	Washer, plain	Consult
6	22255	Bolt, hex-head, grade 5	Consult
7	22152	Bottom plate	Consult
8	22158	Retaining plate	Consult
9	22153	Dummy load cell	Consult
	17590	Load cell, RTI CP - 50,000 lb	Consult
	21650	Load cell, RTI CSP - 50,000 lb	Consult
	32701	Load cell, RLCSP1 - 50,000 lb	Consult
10	22161	Top mounting plate	Consult
11	22156	Flexure plate	Consult
12	22159	Fabreeka pad (top)	Consult
13	22160	Fabreeka pad (bottom)	Consult
14	15179	Lock washer	Consult
15	22256	Screw, hex-head, grade 5	Consult
18 & 21	15167	Lock washer	Consult
19	22257	Screw, hex-head, grade 5	Consult
20	22154	Load cell mounting plate	Consult
22	15059	Screw, hex-head, grade 8	Consult
23	22157	Shim	Consult
24	15263	Tension pin	Consult
Rated Capacity: 100,000 lb			
1	22339	Base plate	Consult
2	22341	Stand	Consult
3	22281	Hex-head leveling screw	Consult
4	22342	Anchor block	Consult
5 & 14	15179	Lock washer	Consult
6	22343	Bolt, hex-head, grade 5	Consult
7	22344	Bottom plate	Consult
8	22345	Retaining plate	Consult

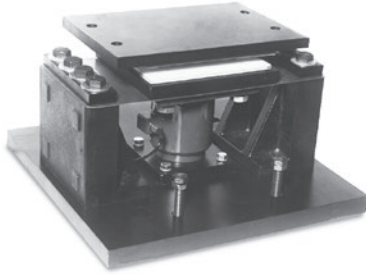
(See Diagram MagnaMount-A)



MagnaMount-A

Magnamount® Tank

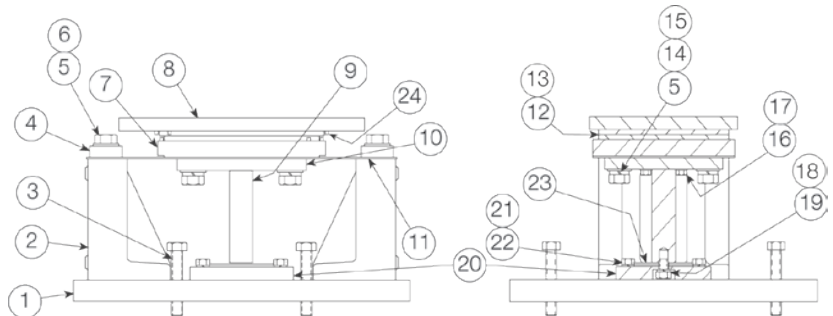
Truck and Railroad Truck Mount Assembly



Part Number/Price

Ref#	Part#	Description	Price
Rated Capacity: 100,000 lb			
9	22346	Dummy load cell	Consult
	17591	Load cell, RTI CP - 100,000 lb	Consult
	21651	Load cell, RTI CSP - 100,000 lb	Consult
	32700	Load cell, RL CSP1 - 100,000 lb	Consult
10	22347	Top mounting plate	Consult
11	22349	Flexure plate	Consult
12	22348	Fabreeka pad (top)	Consult
13	22350	Fabreeka pad (bottom)	Consult
15	22351	Screw, hex-head, grade 5	Consult
18	15181	Lock washer 3/4 in	Consult
19	15096	Screw, hex-head, grade 5	Consult
20	22352	Load cell mounting plate	Consult
21	22353	Lock washer	Consult
22	15091	Screw, hex-head, grade 8	Consult
23	18498	Shim	Consult
24	15263	Tension pin	Consult
Rated Capacity: 200,000 lb			
1	18483	Base plate	Consult
2	18488	Stand	Consult
3	102145	Leveling bolt	Consult
4	18489	Anchor block	Consult
5	15183	Washer, plain	Consult
6	14794	Bolt, hex-head, grade 5	Consult
7	18493	Bottom plate	Consult
8	18496	Retaining plate	Consult
9	18485	Dummy load cell	Consult
	17592	Load cell, RTI CP - 200,000 lb	Consult
	21652	Load cell, RTI CSP - 200,000 lb	Consult
	32699	Load cell, RLCSP1 - 200,000 lb	Consult
10	18486	Top mounting plate	Consult
11	18491	Flexure plate	Consult
12	18495	Fabreeka pad (top)	Consult
13	18494	Fabreeka pad (bottom)	Consult
14	15185	Lock washer	Consult
15	14793	Screw, hex-head, grade 5	Consult
16	15173	Washer, flat	Consult
17	22096	Screw, hex-head, grade 5	Consult
18	15181	Lock washer 3/4 in	Consult
19	15096	Screw, hex-head, grade 5	Consult
20	18484	Load cell mounting plate	Consult
21	22353	Lock washer	Consult
22	14771	Screw, hex-head, grade 2	Consult
23	18498	Shim	Consult
24	15263	Tension pin	Consult

(See Diagram MagnaMount-B)



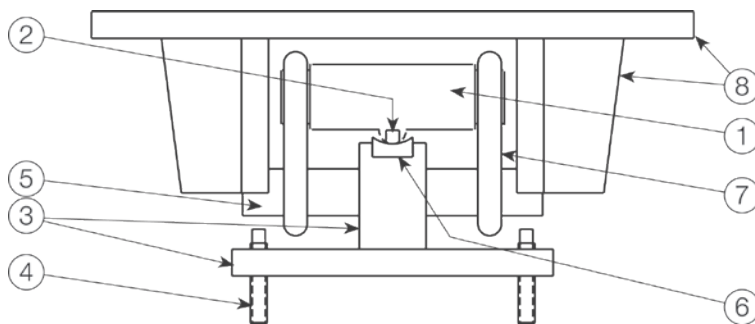
MagnaMount-B

Translink™ Parallel Link Truck Scale Assembly

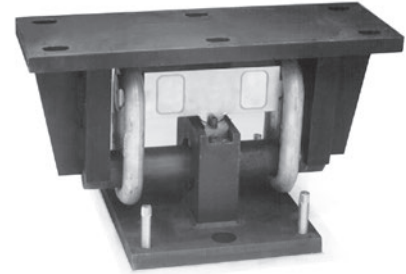
Part Number/Price

Ref#	Part#	Description	Price
	25708	Installation manual	Consult
Rated Capacity: 25,000 lb - 40,000 lb			
1	21614	Load cell, RL75040 - 25,000 lb	Consult
	21615	Load cell, RL75040 - 40,000 lb	Consult
2	15300	Tension pin	Consult
3	18455	Base plate	Consult
4	22281	Leveling bolt	Consult
5	18468	Pin, 1.75 in Diameter x 11 7/32 in steel	Consult
6	18453	Bearing pad, .75 in x 1.5 in x 4 in steel	Consult
7	17810	Link, weldless alloy steel	Consult
8	18467	Top-plate	Consult
Rated Capacity: 50,000 lb - 75,000 lb			
1	21616	Load cell, RL75040 - 50,000 lb	Consult
	21617	Load cell, RL75040 - 60,000 lb	Consult
	21618	Load cell, RL75040 - 75,000 lb	Consult
	21621	Load cell, RL75040 - 50,000 lb, 50' cable	Consult
	21622	Load cell, RL75040 - 60,000 lb, 50' cable	Consult
2	15300	Tension pin	Consult
3	18458	Base plate	Consult
4	22281	Leveling bolt	Consult
5	18469	Pin	Consult
6	18453	Bearing pad	Consult
7	65430	Link, weldless end	Consult
8	18466	Top-plate	Consult
Rated Capacity: 50,000 lb - 100,000 lb			
1	21616	Load cell, RL75040 - 50,000 lb	Consult
	21621	Load cell, RL75040 - 50,000 lb, 50' cable	Consult
	21611	Load cell, RL75223 - 50,000 lb	Consult
	21612	Load cell, RL75223 - 65,000 lb	Consult
	21613	Load cell, RL75223 - 100,000 lb	Consult
2	15302	Tension pin	Consult
3	18458	Base plate	Consult
4	22281	Leveling bolt	Consult
5	18470	Pin	Consult
6	18452	Bearing pad for RL75223 load cell	Consult
6	18453	Bearing pad for RL75040 load cell	Consult
7	65430	Link, weldless	Consult
8	18465	Top-plate	Consult

(See Diagram Translink-A)



Translink-A



Mettler Toledo™ Bridgmaster™ Truck Scale**Part Number/Price**

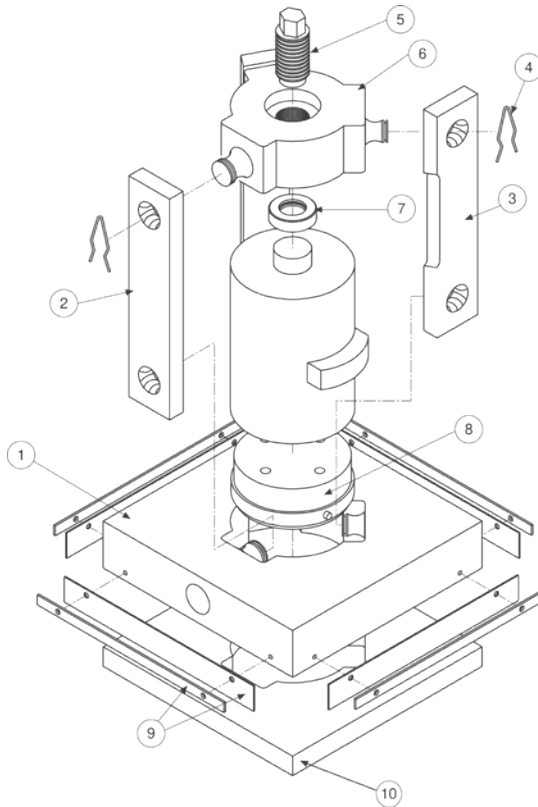
Ref#	Part#	Description	Synonym	Price
1	22277	Lower plate assembly link pins center	10015600A	Consult
1	33915	Lower plate assembly with pins off center		Consult
2	22272	Link, unnotched	10011500B	Consult
3	22273	Link, notched	10011500A	Consult
4	22251	Retaining clips	10011700A	Consult
5	22274	Center screw	10011300A	Consult
6	22276	Upper plate assembly	10010600A	Consult
7	22269	Adaptor ring with O-ring	10011400A	Consult
8	22268	Base plate and pin assembly	10011800A	Consult
9	22252	Skirt kit	10010400A	Consult
10	30302	Base plate		Consult

(See Diagram Toledo Bridgmaster-A)

Mettler Toledo Bridgemaster Model 7500

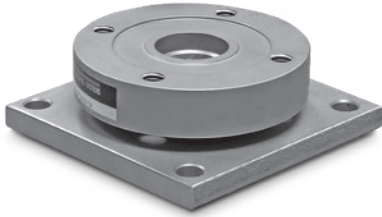
Part Number/Price

Part#	Description	Synonym	Price
F590	Upper bearing, 2 in-12 UNF-2B x 1 1/2 in	90191	Consult
F590-1	Upper bearing, 2 in-12 UNF-2A x 2 in	90191	Consult
F591	Load pin, 2 in hex x 5 9/16 in	90190	Consult



Toledo Bridgemaster-A

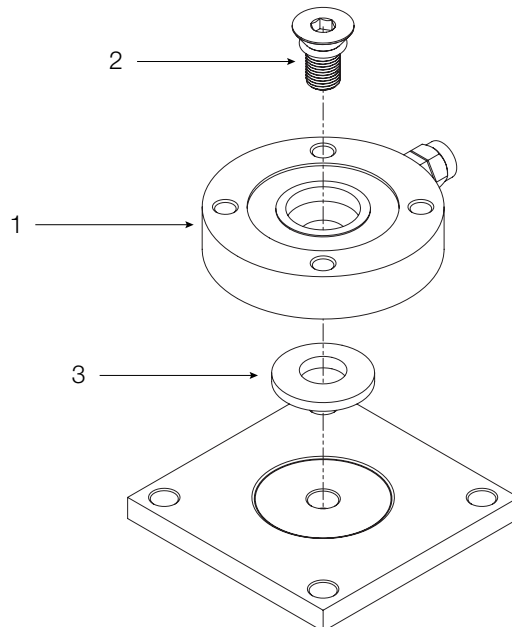
RL9000TWM Series



Part Number/Price

Ref#	Part#	Description	Price
Load Cell			
1	99997	1,000 lb	Consult
1	99998	2,500 lb	Consult
1	99999	5,000 lb	Consult
1	100000	10,000 lb	Consult
1	100001	15,000 lb	Consult
1	100002	20,000 lb	Consult
1	100003	25,000 lb	Consult
1	100004	35,000 lb	Consult
1	100005	50,000 lb	Consult
1	100006	60,000 lb	Consult
1	100007	75,000 lb	Consult
1	100008	100,000 lb	Consult
1	100009	150,000 lb	Consult
1	100010	200,000 lb	Consult
1	100074	250,000 lb	Consult
1	100075	300,000 lb	Consult
1	100076	400,000 lb	Consult
1	100078	450,000 lb	Consult
Center Bolt and O-Ring			
2	121257	1,000 lb to 15,000 lb	Consult
2	121258	20,000 lb to 50,000 lb	Consult
2	121259	60,000 lb to 100,000 lb	Consult
2	121260	150,000 lb to 200,000 lb	Consult
2	121261	250,000 lb to 450,000 lb	Consult
Washer			
3	121262	1,000 lb to 15,000 lb	Consult
3	121263	20,000 lb to 50,000 lb	Consult
3	121264	60,000 lb to 100,000 lb	Consult
3	121265	150,000 lb to 200,000 lb	Consult
3	121266	250,000 lb to 450,000 lb	Consult
Center Bolt Removal Tool			
	151637	20,000 lb to 50,000 lb	Consult
	151638	60,000 lb to 100,000 lb	Consult
	151639	150,000 lb to 200,000 lb	Consult
	161935	250,000 lb to 450,000 lb	Consult

15,000 lb bolt can be removed with 5/16 inch allen wrench
 Contact factory for base plate pricing



Expanding

to serve you better

EUROPE

Heteren, Netherlands
Calto, Italy
Modena, Italy
Taunton, United Kingdom

NORTH AMERICA

Corporate Headquarters
Rice Lake, Wisconsin

Jasper, Alabama
Fernley, Nevada
Seattle, Washington
Concord, California
Newtown, Connecticut
Monterrey, Mexico

ASIA

Chennai, India
Shanghai, China

Advanced weighing expertise right where you need it.

Rice Lake's commitment to provide you the **very best service, selection and speed** guides our expansion to multiple locations around the globe.

Moving closer to you with extended service and weighing industry expertise.

RICE LAKE[®]
WEIGHING SYSTEMS

www.ricelake.com

RICE LAKE®

WEIGHING SYSTEMS

www.ricelake.com

NORTH AMERICA

Corporate Headquarters
Rice Lake, Wisconsin

Jasper, Alabama
Fernley, Nevada
Seattle, Washington
Concord, California
Newtown, Connecticut
Monterrey, Mexico

EUROPE

Heteren, Netherlands
Calto, Italy
Modena, Italy
Taunton, United Kingdom

ASIA

Chennai, India
Shanghai, China

CORPORATE OFFICE

230 W. Coleman Street
Rice Lake, WI 54868 • USA

PHONE:

USA: 800-472-6703
Canada/Mexico: 800-321-6703
Direct: 715-234-9171

FAX:

715-234-6967

EXTENDED BUSINESS HOURS

Monday through Friday
from 6:30 a.m. to 6:30 p.m.
Saturday from 8:00 a.m.
to noon Central Time

EMERGENCY CONTACT INFORMATION

Your service doesn't stop when the office is closed and neither does ours. Simply call 800-472-6703 and press 1 to reach on-call personnel outside of our normal business hours.

Rice Lake's Global Family

A tradition of quality and customer service extended around the world

Over 40,000 weighing products and 3 million parts distributed worldwide

An ISO 9001 registered company
© 2019 Rice Lake Weighing Systems PN 32288 1/19
Specifications subject to change without notice

