

Adapter Panel Installation

If mounting the 880 Performance Series Indicator in a panel previously used for a different indicator, the hole in the panel may be too large/small to mount the 880 indicator.

The following instructions will assist in the mounting of the adapter plate to be used in these situations.



For more information on the 880 Performance Indicator, see the Installation/Service manual (PN 158387) or the Operator's manual (PN 152240).



Manuals can be viewed or downloaded from the Rice Lake Weighing Systems website at www.ricelake.com.

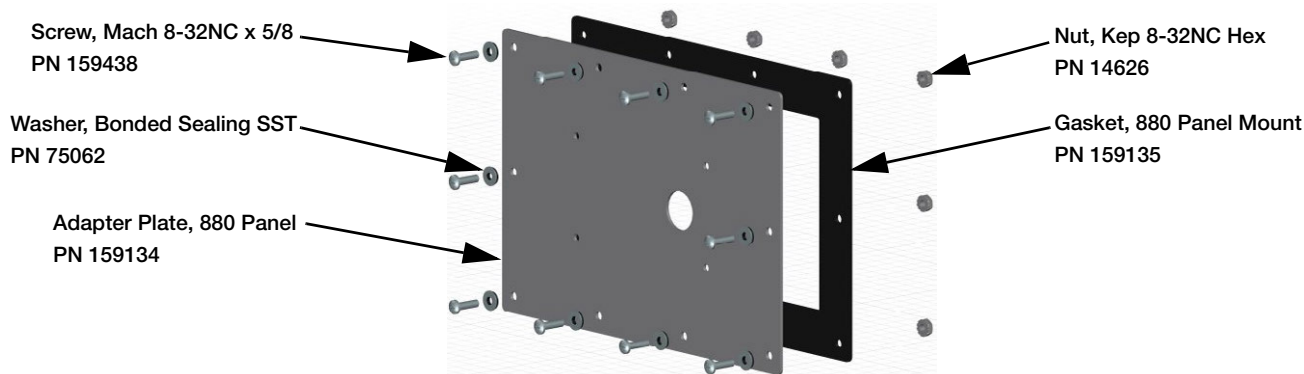


Figure 1. Parts for the Panel Retrofit Option

If the existing hole in the panel is too small to accommodate the DIN Rail mounting plate, the hole will need to be enlarged to the correct size.



If the panel this indicator is being mounted to is 16ga (.06) or thinner, there is no need to enlarge the hole. The mounting studs will go through the panel, adapter plate and the DIN Rail mounting plate far enough to secure the display. Skip to Step 2.

1. Using the DIN Rail mounting plate as a guide, mark the panel for cutting the opening to the size required. There should be at least 1/4" gap between the mounting plate and the opening in the panel. See Figure 2.

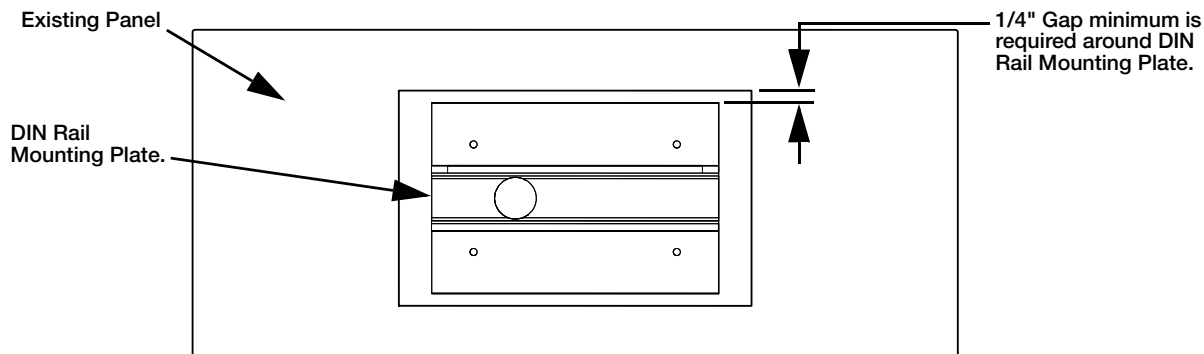


Figure 2. Enlarge Opening (If Required)

2. Use the adapter plate as a template to mark the holes to be drilled for the screws. Ensure the plate is centered over the opening and the larger hole is on the right side.

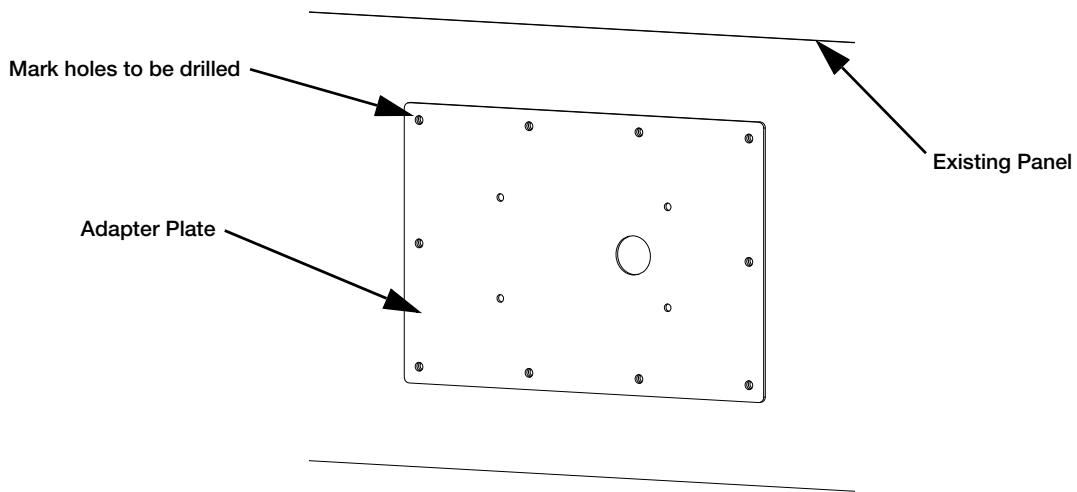


Figure 3. Adapter Plate as Template

3. Drill the holes.
4. Align adapter plate (gasket side toward panel) to the holes drilled in the panel and secure with screws, sealing washers and nuts. Torque to 8 in-lb.

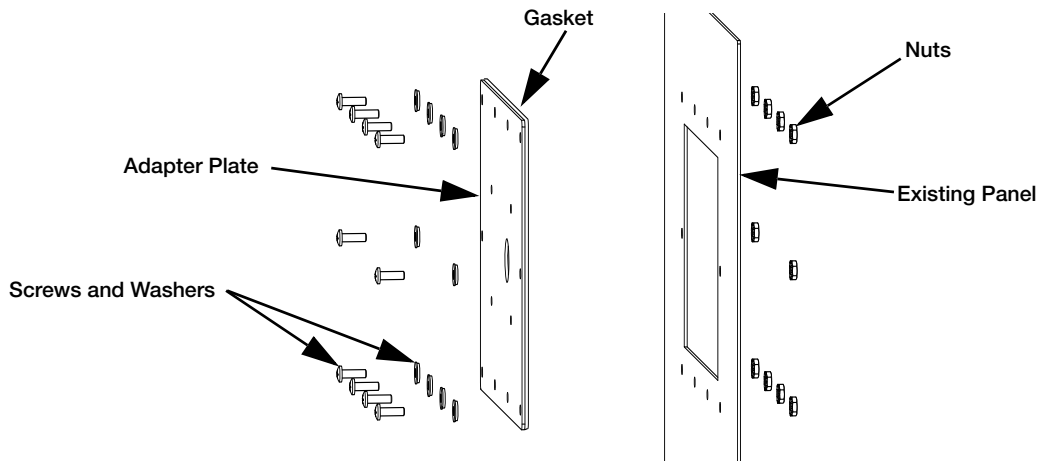


Figure 4. Install Adapter Plate

5. Install the gasket on the display assembly. It must be seated correctly on the display before mounting to ensure tight seal.
6. Secure the display and mounting plate to the panel using the four 6-32 Kep nuts (PN 14621) provided.

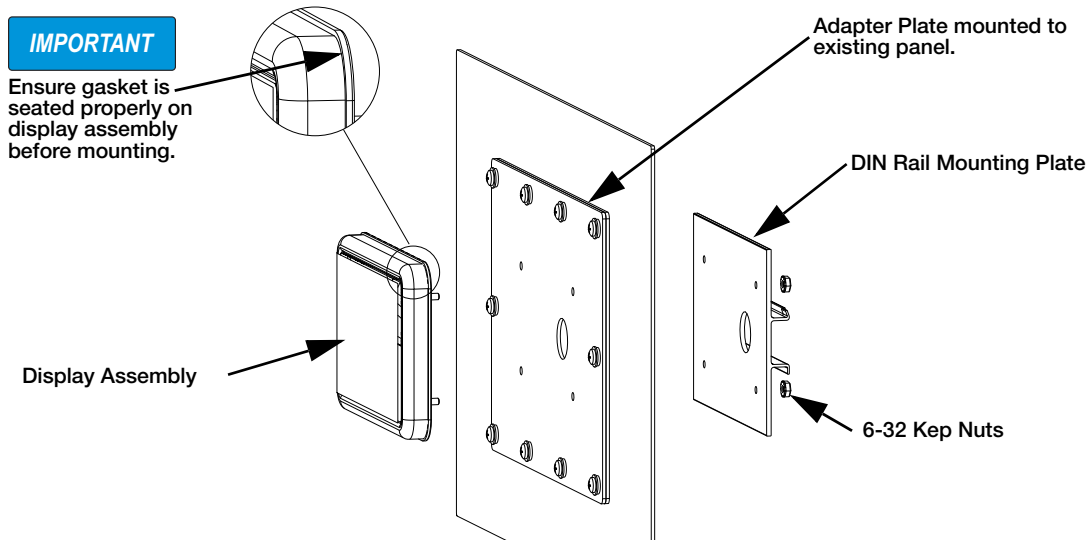


Figure 5. Install Display

7. Connect the cable assembly to the controller assembly.
8. Place the controller assembly on the DIN rail as shown in Figure 6.
9. Secure to DIN rail by rotating the left and right hooks up, connecting with the bottom rail.

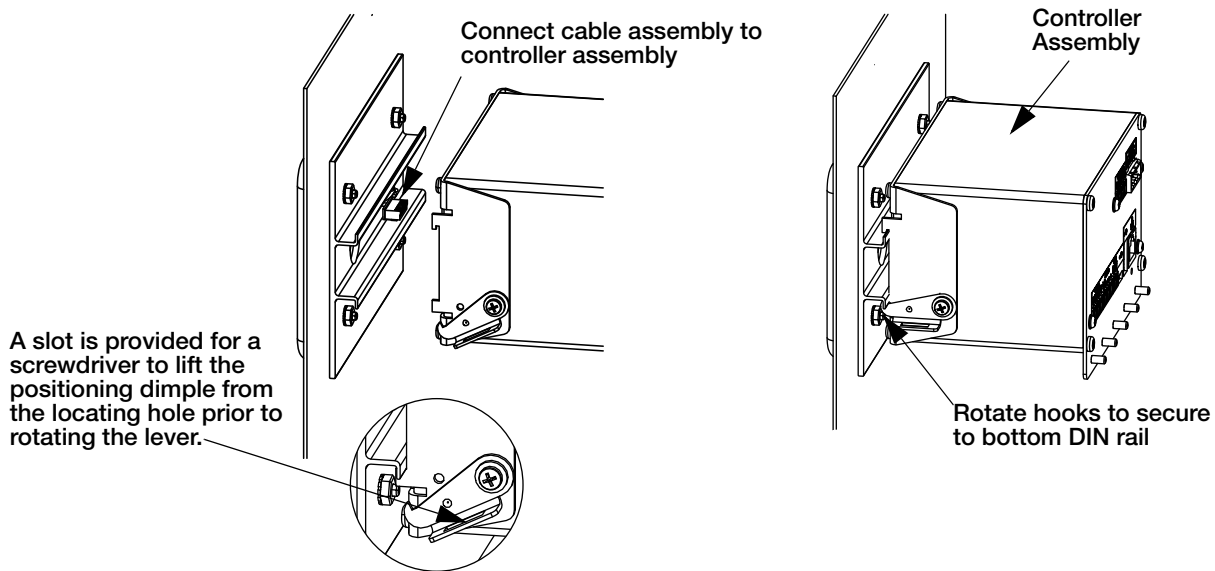


Figure 6. Install Controller Assembly

10. Connect all connectors to the backplate. See the Installation/Service manual (PN 158387) for connector locations.



© Rice Lake Weighing Systems Specifications subject to change without notice.

230 W. Coleman St. • Rice Lake, WI 54868 • USA
U.S. 800-472-6703 • Canada/Mexico 800-321-6703 • International 715-234-9171 • Europe +31 (0)26 472 1319