

Visor Option Installation

This document contains instructions for installing the optional visor kit (PN 214693). The optional visor provides additional shading for the display to improve visibility and reduce internal heat from sunlight. The visor weighs 9.31 lb (4.22 kg).

 **NOTE:** The optional visor kit is compatible with the standard bracket mount, VESA pole mount kit (PN 212745) or flange pole mount kit (PN 75856).



Manuals and additional resources are available from Rice Lake Weighing Systems at www.ricelake.com/manuals

Warranty information can be found at www.ricelake.com/warranties



CAUTION: The LaserLight3 does not have a power switch. Before working with the unit, ensure the power cord is disconnected from the power outlet.

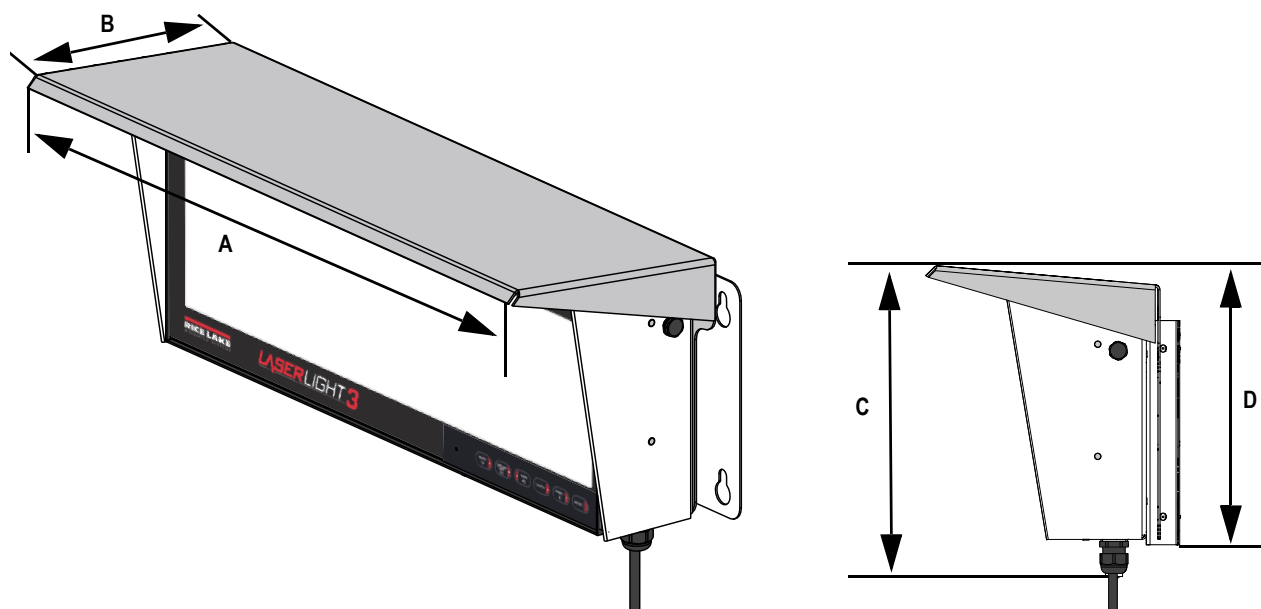


Figure 1. Visor Dimensions Diagram

Item	Inches	Millimeters
A	25.1	638
B	9.6	244
C	11.0	280
D	10.0	254

Table 1. Visor Dimensions

Installation

1. Unplug LaserLight3 from power source.
2. If needed, remove LaserLight3 from mounted surface.
3. Remove the six mounting screws with flat washers and lock washers securing the standard mounting bracket or VESA mount to the LaserLight3 and retain for reuse.
4. Remove mounting bracket from LaserLight3.
5. Align visor and mounting bracket with mounting holes on the back of the LaserLight3.
6. Secure each mounting hole with previously removed hardware (Step 3).
7. Torque the 6 mounting screws to 20-30 in-lb (2.26-3.39 N-m).

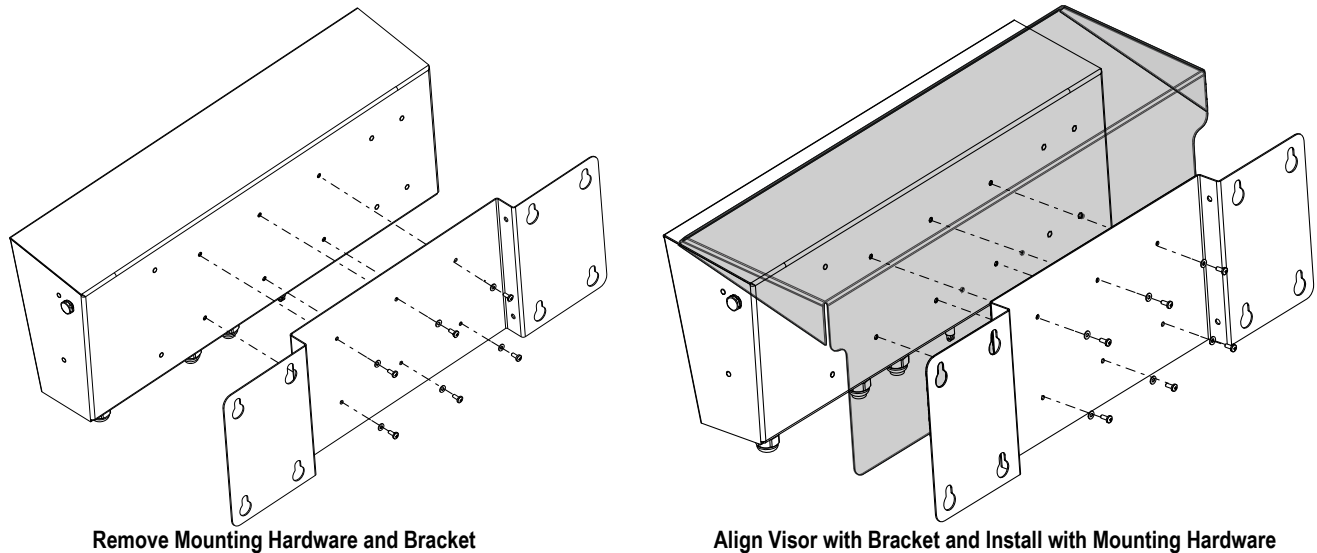


Figure 2. Visor Installation



© Rice Lake Weighing Systems Specifications subject to change without notice.

230 W. Coleman St. • Rice Lake, WI 54868 • USA
U.S. 800-472-6703 • Canada/Mexico 800-321-6703 • International 715-234-9171 • Europe +31 (0)26 472 1319