

MSI-6360 Port-A-Weigh Crane Scale

Retrofit Kit Installation Instructions

The MSI-6360 Retrofit Kit updates MSI-6260 and older generations of the MSI-6360 to the most current configuration. Generation information is located on the serial tag.



Manuals are available from Rice Lake Weighing Systems at www.ricelake.com/manuals

Warranty information is available at www.ricelake.com/warranties

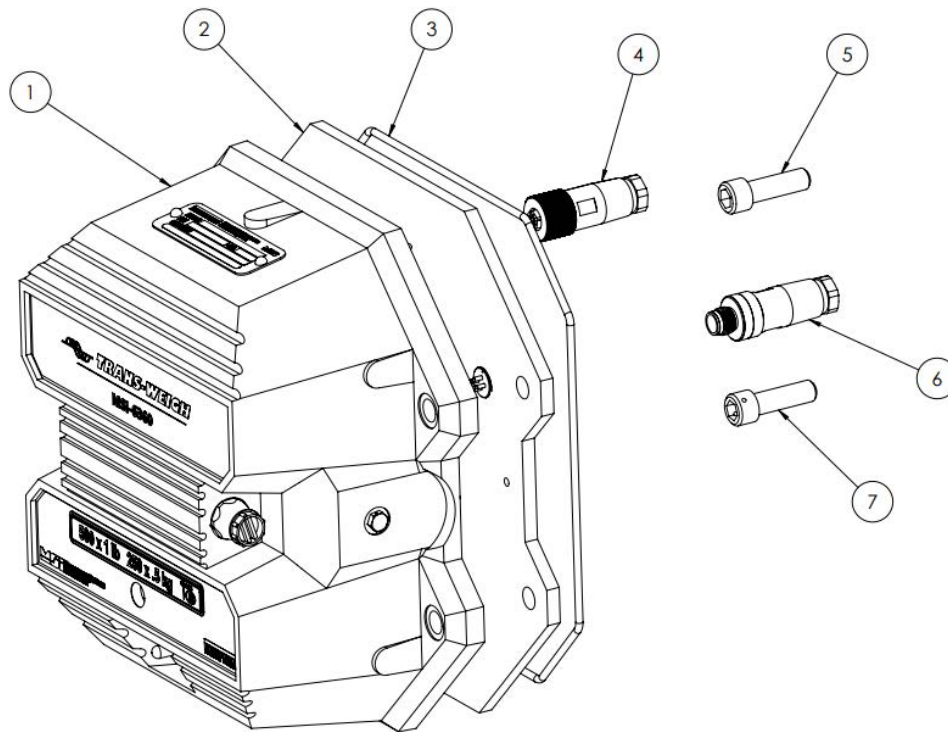


Figure 1. MSI-6360 Retrofit Kit Parts Diagram

Item No.	Part No.	Description	Qty
1	215841	Front Casting Assembly 6360	1
2	215934	Bulkhead Assembly 6360	1
3	149724	O-ring Assembly Front Casting Paw/Trans-Weigh	2
4	198913	Conn, IP67, Euro Field Wireable, 4 Cond, Female Straight PG-9	1
5	145998	Screw SH 3/8-16 x 1-1/4 SS	3
6	162185	Conn, M12 4 Pin Male Field Wireable 6-8mm OD Straight IP67	1
7	133597	Screw Seal 3/8-16 x 1-1/4 SS Drilled Head	1
	145962	Screw RH 4 x 1/4 U Type Drive Plated	2
	146565	Screw FH 6-32 x 5/8 Phil SS	2
	149679	Tag Serial Number	1
	215948	Label Descriptive 6360	1

Table 1. MSI-6360 Retrofit Kit Parts List

1.0 Removing the Existing Front Casting



WARNING: Ensure that all power has been removed prior to starting the procedure.

1. Turn the MSI-6360 off.
2. Remove the front casting by loosening the screws securing it. See [Figure 2](#).
3. Unplug the load cell and power cables from the front casting or bulkhead. Discard casting and hardware.
4. With one hand, support the battery access cover.
5. Release the two latches holding the battery access cover.
6. Carefully lower the cover while holding the battery in place, it could be loose and fall causing damage.
7. Remove the battery by pulling straight back.
8. Close the cover and secure with latches.
9. Remove the battery casting by loosening the screws securing it. Retain for re-installation.

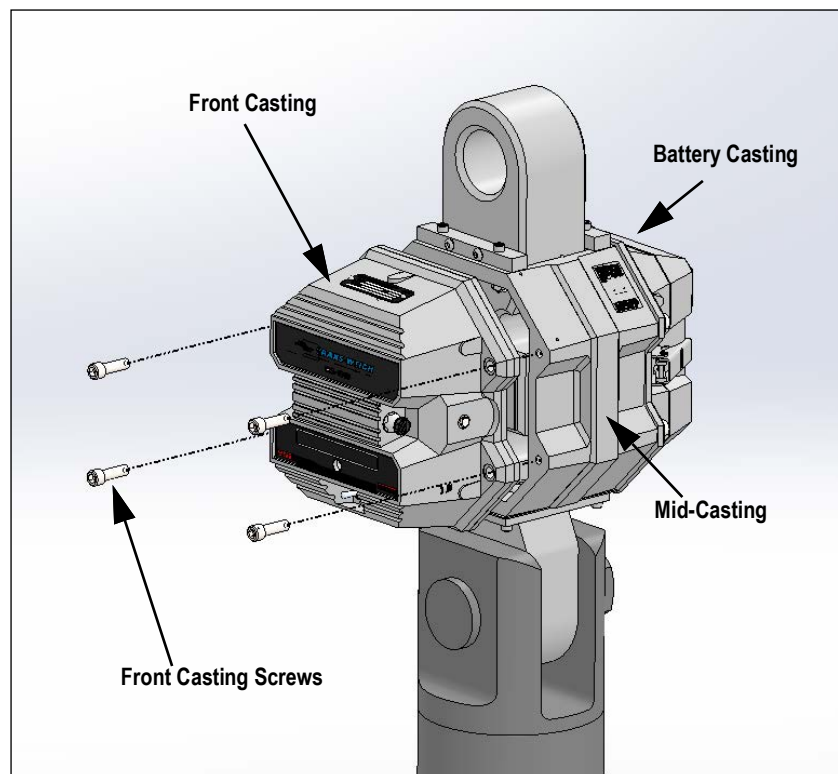


Figure 2. Front Casting Removal

2.0 Rewiring Load Cell Cable

1. Locate the cable coming out of the load cell.
2. Cut the connector off as close to the connector as possible.
3. Strip the cable jacket as needed to allow 1/2 – 3/4 inch of exposed conductors, Red, Green, White and Black.
4. Cut the shield/drain wire flush with the end of jacket.
5. Strip the Red, Green, White and Black wires approximately 1/4 inch and tin with solder.
6. Connect the wires to the connector together as shown in [Table 2.](#) and [Figure 3.](#)

L/C Cable Conductor Color	Function	Connector Pin Number
Red	+Excitation	1
Black	-Excitation	2
Green	+Signal	3
White	-Signal	4

Table 2. Load Cell Cable Connections

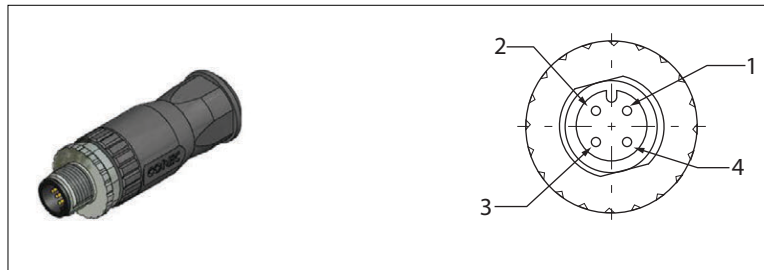


Figure 3. L/C Cable Connector

3.0 Rewiring the Battery Cable

1. Locate the power cable coming from the inside of the battery casting.
2. Cut the connector off the battery cable as close to the connector as possible.
3. Strip the cable jacket as needed to allow 1/2 – 3/4 inch of exposed conductors, Red and Black.
4. Cut the shield/drain wire flush with the end of jacket.
5. Strip the Red and Black wires approximately 1/4 inch and tin with solder.

6. Connect wire to the connector as shown in [Table 3](#). and [Figure 4](#).

Battery Cable Conductor Color	Function	198913 Connector Pin Number
Red	+ Battery	1
Black	- Battery	2
-	Not Used	3
-	Not Used	4

Table 3. Power Cable Connections

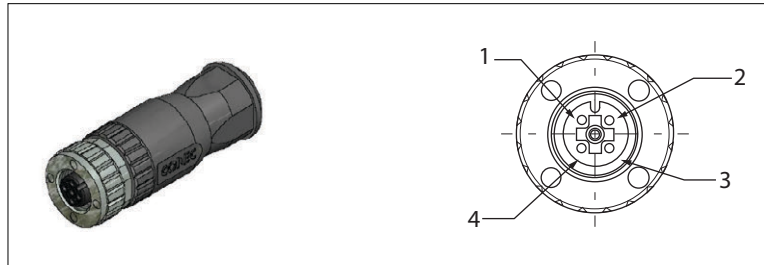


Figure 4. Battery Cable Connector

4.0 Reassembling the Unit

1. Place the o-ring in the groove on the bulkhead of the supplied front casting. Ensure bulkhead is correctly aligned on the front casting.
2. Plug the updated cables into the cable connectors on the bulkhead. Load cell cable connects to the male connector and power cable connects to the female connector.
3. Place the front casting assembly on mid-casting assembly and secure with the supplied 3/8 inch drive head screws, torqued to 20–25 ft-lbs (see [Figure 2](#) on page 2).



IMPORTANT: To comply with NTEP, remove the old serial tag on the mid casting. The new serial tag is located on the front casting.

4. Reinstall the battery casting securing with the retained hardware.
5. Calibrate the unit, see the technical manual (PN 216128) for the calibration procedure.



© Rice Lake Weighing Systems Content subject to change without notice.

230 W. Coleman St. • Rice Lake, WI 54868 • USA USA: 800-472-6703 • International: +1-715-234-9171