

# Quick Setup Guide

## Key Functions

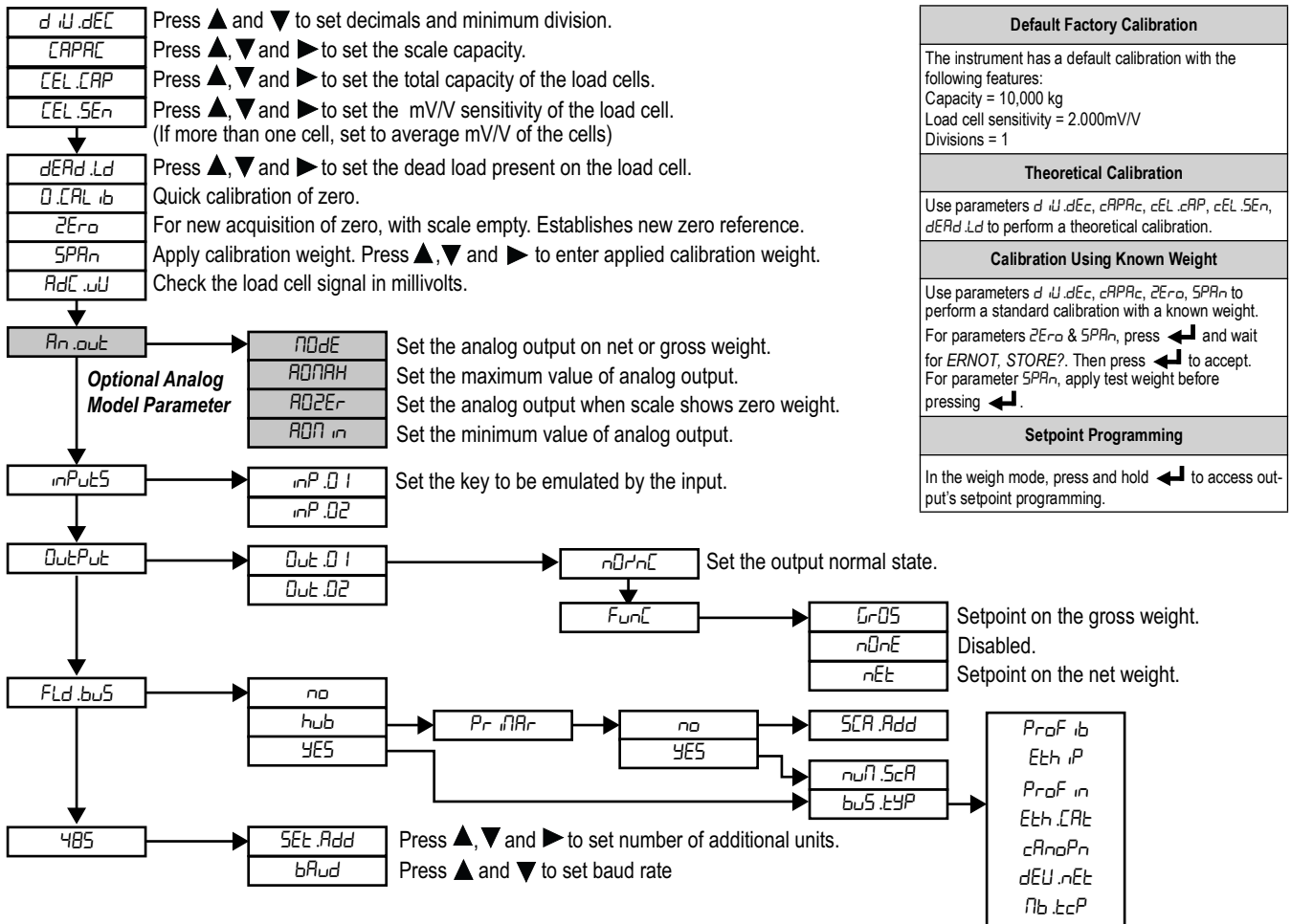
Key	Function
▼ ZERO	In setup: scroll forward through parameters In numeric input: decreases digit to be modified
▲ TARE	In setup: scroll back through the functions In numeric input: increases digit to be modified

Key	Function
▶ MODE	In setup: quickly position the first step of a menu In numeric input: selects digit to be modified, from left to right
↵ PRINT	In setup: enter into a parameter or to confirm a setting In numeric input: confirms the entry made

Key	Function
C ON/OFF	Turn the instrument on/off In setup: exit a step without confirming the setting In numeric input: clears the present value

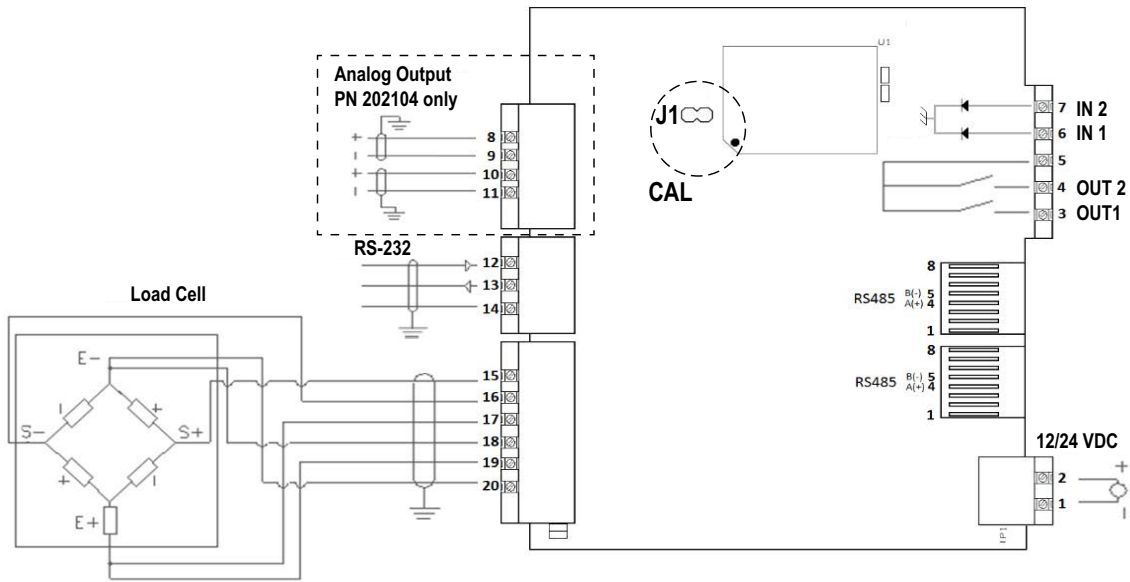
## Setup Menu

1. Press the ON/OFF key (C) to turn the instrument on.
2. Press the mode key (▶) when the firmware version displays to enter the setup menu.
3. Press the print key (↵) in the setup menu to view/select the parameter choices.



**NOTE:** When settings are complete press C until the indicator displays *SAVEP*. Press ↵ to save set up and return to weigh mode. Pressing any other key exits the setup and discards changes.

# Wiring Diagram



Pin Number	Label	Description
<b>VE 12-24 VDC Power Supply</b>		
1	GND	0 VDC (GND)
2	+VDC	+12-24 VDC
<b>Inputs and Outputs</b>		
Outputs (48 VAC or 60 VDC, 150 mA max)		
3	OUT1	Output 1
4	OUT2	Output 2
5	COMOUT	Common Output
Optoisolated Inputs Positive Logic (12-24 VDC, 5-20 mA max)		
6	IN1	Input 1
7	IN2	Input 2
	Connect input common to ground	

Pin Number	Label	Description
<b>Analog Output (PN 202104 only)</b>		
Voltage		
8	V+	+10 V
9	V-	0 V (GND)
Current		
10	I+	+20 mA
11	I-	-0 mA (GND)
<b>NOTE:</b>		
<i>Max. resistance on output current: 350 Ω</i>		
<i>Min. resistance on output voltage: 10 kΩ</i>		

Pin Number	Label	Description
<b>Serial Port</b>		
RS-232		
12	TX	Transmission
13	RX	Reception
14	GND	Ground
RS-485		
RJ45 Plug-IN/OUT		485 Line
RJ45 Plug-IN/OUT		485 Line
<b>Load Cell Connections</b>		
15	SIG+	Signal +
16	SIG-	Signal -
17	SEN+	Sense +
18	SEN-	Sense -
19	EXC+	Excitation +
20	EXC-	Excitation -



© Rice Lake Weighing Systems Content subject to change without notice.

230 W. Coleman St. • Rice Lake, WI 54868 • USA USA: 800-472-6703 • International: +1-715-234-9171