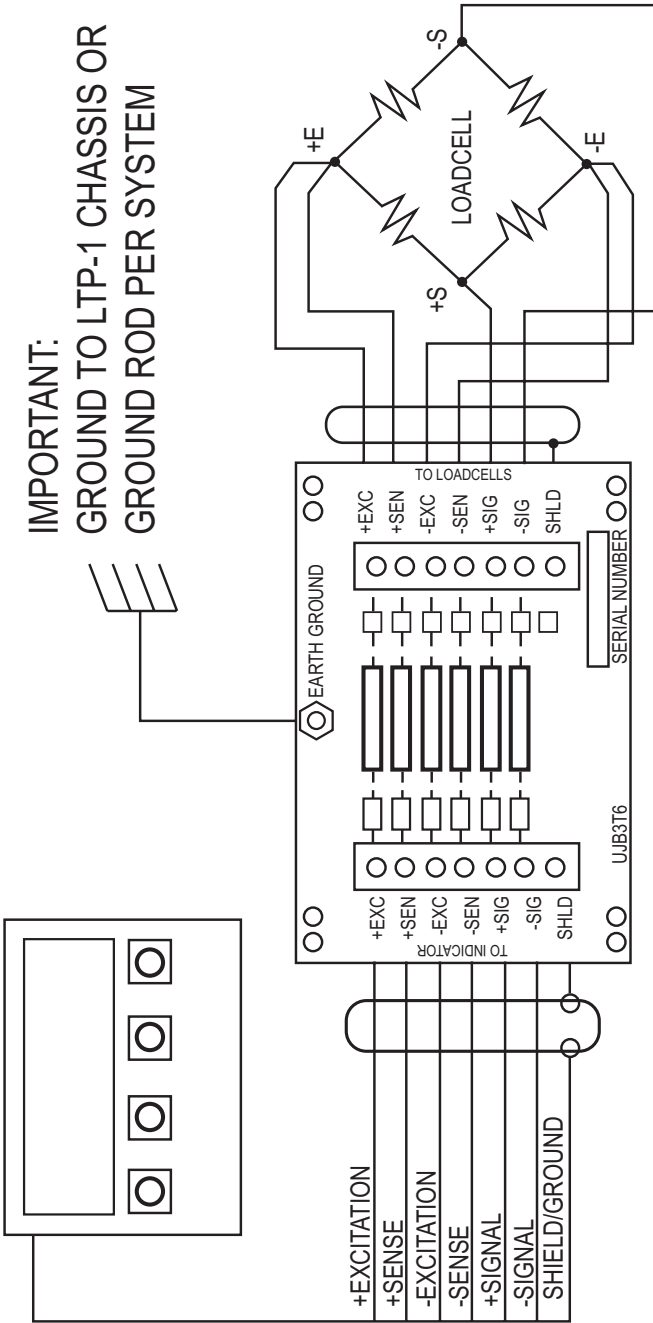


UJB3T6

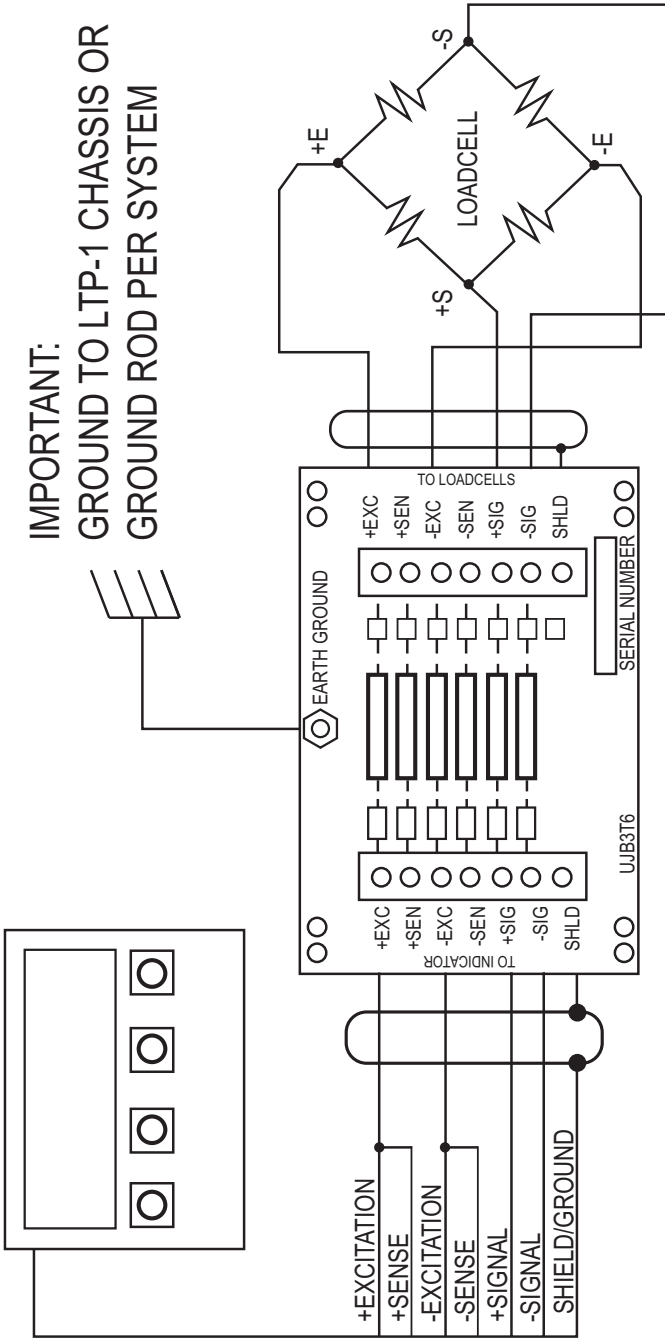
DC Transient Protector Wiring

Installation Manual

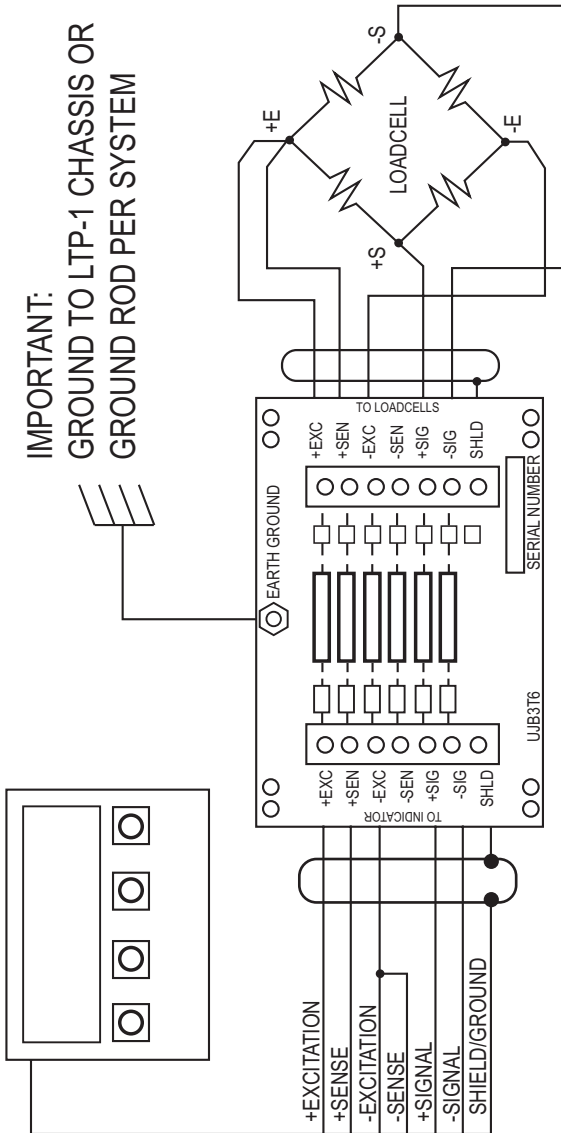




TYPE 1 CONNECTION CONVENTIONAL SCALE INDICATORS



TYPE 2 CONNECTION INDICATORS WITH CHOPPED POWER SUPPLIES



TYPE 3 CONNECTION
INDICATORS WITH SINGLE-ENDED POWER SUPPLIES



© Rice Lake Weighing Systems Specifications subject to change without notice.

230 W. Coleman St. • Rice Lake, WI 54868 • USA

U.S. 800-472-6703 • Canada/Mexico 800-321-6703 • International 715-234-9171 • Europe +31 (0)26 472 1319