

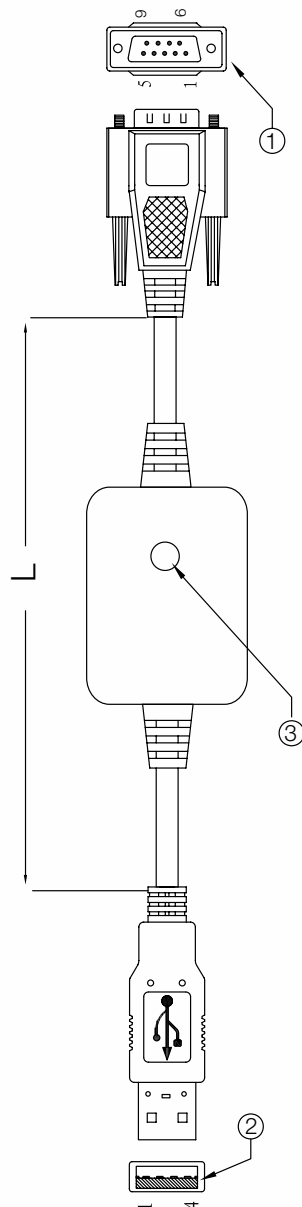
AbleCable™ RS-232 to USB

RS-232 TO USB SMART CABLE DIRECT

Use this smart cable to directly connect a PC or Mac to any serial device such as scales, balances, RFID or barcode readers, etc. and instantly see the output on your screen.

NO DRIVER INSTALLATION

The converter cable requires no driver installation and identifies itself as an additional keyboard. It draws power from the USB port, requiring no external power supply.



Part Number	119919												
Description	RS-232/USB Serial Smart Cable Direct												
Baud Rate	9600 bps												
Cable Length (L)	1800 mm (74 inch)												
Power	USB power, no external power supply												
Compatibility	PC and MAC												
Drawing Legend	① Serial port (RS-232) DB9 Male Connector												
	② USB Type A Connector												
	③ Status indicator, red LED												
Connection	<table border="0"> <tr> <td>Smart cable RS-232 pins</td> <td></td> <td>Your device RS-232 pins</td> </tr> <tr> <td>2(RX)</td> <td>— X —</td> <td>TX</td> </tr> <tr> <td>3(TX)</td> <td>— X —</td> <td>RX</td> </tr> <tr> <td>5(GND)</td> <td>— — —</td> <td>GND</td> </tr> </table>	Smart cable RS-232 pins		Your device RS-232 pins	2(RX)	— X —	TX	3(TX)	— X —	RX	5(GND)	— — —	GND
Smart cable RS-232 pins		Your device RS-232 pins											
2(RX)	— X —	TX											
3(TX)	— X —	RX											
5(GND)	— — —	GND											



RICE LAKE
WEIGHING SYSTEMS

230 West Coleman Street
Rice Lake, WI 54868 • USA
TEL: 715-234-9171 • FAX: 715-234-6967

www.ricelake.com

An ISO 9001 registered company
©2016 Rice Lake Weighing Systems PN 121112 2/16
Specifications subject to change without notice