

# Staticmaster®

## Mini Ionizing Fan

(Model 4068)



### WHY IONIZE?

At NRD we understand that electrostatic discharge is one of the leading causes of inaccurate reading when using a precision balance. Static electricity and the need to weigh fine materials and powders in a laboratory environment do not make good partners. Most labs have a low humidity level which encourages the development of static, and can have a significant impact on the accuracy of your measurements.

NRD, a leader in the static control industry for over 40 years has introduced a complete line of alpha and electrical ionization products designed to eliminate the challenges of static. By introducing a stream of ions and eliminating static, you will ensure that the product stays in place and you will get accurate weighs every time.

One of the biggest challenges in obtaining accurate readings when using a precision balance is the presence of static electricity which can cause weighing errors. While NRD provides solutions for static elimination when weighing fine powders, irregularly shaped objects like plastic weigh boats and spatulas can cause their own set of challenges. Plastic is easily charged in low humidity. Vials and other weighing containers can become charged during delivery, which causes unstable weighing and product "fly-away."

The NRD **4068** Mini-Fan Ionizer is the perfect solution for objects that have an irregular shape and need to have their charge removed before being used in the balance chamber. Delivering a wide stream of ions to dissipate the static charge over a wider area, the mini ionizer is the perfect complement to your other tools in the balance chamber environment.



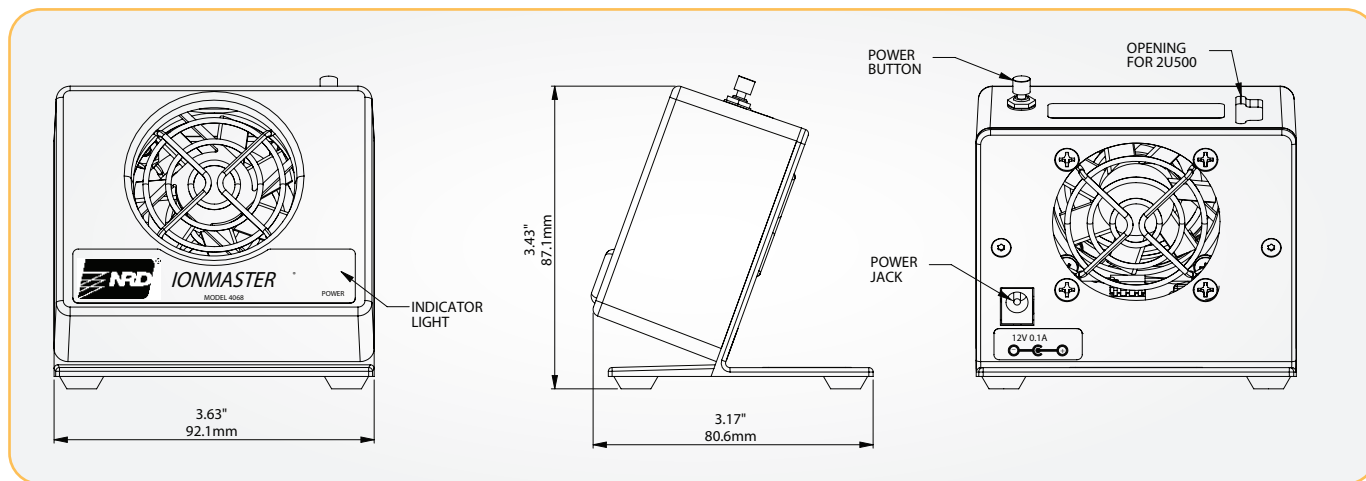
2937 Alt Boulevard, PO Box 310, Grand Island, NY 14072-0310  
Toll Free: 800 . 525 . 8076 | P: 716 . 773 . 7634 | F: 716 . 773 . 7744 [sales@NRDinc.com](mailto:sales@NRDinc.com) [www.PrecisionWeigh.com](http://www.PrecisionWeigh.com)



**NOTICE:** NRD warrants that these materials are reasonably fit for the purpose described. We believe that specifications and technical information presented are based on test methods that produce accurate results. The foregoing limited warranty is expressly made in lieu of, and no other express and no implied warranty of merchantability or fitness for a particular purpose is made. NRD, LLC will not be liable for incidental, consequential, special, exemplary or punitive damages. The limited warranty will not apply to defects or damage due to accidents, neglect, misuse, alterations, error or failure to properly maintain, clean or repair products.

# Staticmaster®

## Mini Ionizing Fan (Model 4068)

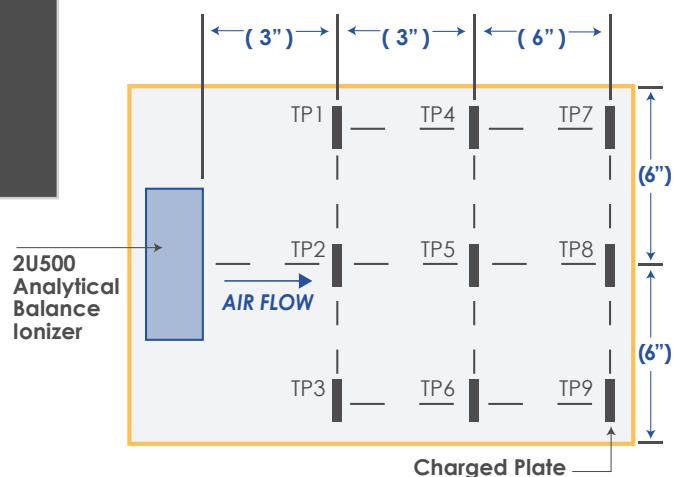


ANALYTICAL BALANCE IONIZING BLOWER DECAY PERFORMANCE TEST		
Position Num.	(+) Decay Time (sec)	(-) Decay Time (sec)
TP2	8.72	9.02
	9.15	9.24
	8.80	9.51
	8.90	9.57
	9.00	9.62
<b>AVERAGE</b>	<b>8.91</b>	<b>9.39</b>
TP5	9.83	10.51
	10.05	10.73
	9.94	10.59
	9.88	10.61
	9.96	10.68
<b>AVERAGE</b>	<b>9.93</b>	<b>10.62</b>
TP8	12.95	14.67
	13.18	15.32
	13.20	15.59
	13.58	15.24
	13.52	14.59
<b>AVERAGE</b>	<b>13.29</b>	<b>15.08</b>

### Model 4068 Specifications

**MATERIAL:** ABS/PC housing  
**WEIGHT:** 8 oz. (227g)  
**ELECTRICAL SUPPLY:** 120 VAC 60 Hz  
**POWER CORD:** 4'  
**POWER CONSUMED:** 2 W  
**FAN FLOW RATING:** 13.8 CFM (0.006 m<sup>3</sup>/s)  
**NOISE:** 31.0 dB  
**DECAY TIME:**

Distance	Positive decay	Negative decay
Inches	seconds	seconds
1	5.49	4.99
3	5.89	5.85
6	7.71	8.70



### Note on Ion Source

All NRD ion sources are encapsulated in precious metals by means of a patented process. This results in a static eliminator which resists oxidation, solvents, heat, cold and vibration. To maintain peak performance and conform to government regulations, ionizers are available on a one-year lease.