



Setting New Standards in Laboratory & Industrial Weighing— The Next Generation of Scout Balances

Ideal for laboratory and industrial applications, the OHAUS Scout comes in a slim, stackable design with large backlit LCD. Features include superior overload protection, multiple weighing units and application modes. Geared for high performance in your facility with fast stabilization time and high resolution weighing results, these portable balances set a new standard in laboratory and industrial weighing.

Standard Features Include:

- **Bright Backlit LCD & 4 Button Control Enable Efficient Operation and Ease of Use**
Combined with a simplified 4 button operation, the Scout's large backlit display increases readability in low light working conditions, and is easier to view from a distance.
- **Bolstered by Superior Overload Protection and Impact-Resistant Pan Support**
Integrated superior overload protection and impact-resistant pan support safeguard against shock and overloading the balance in rugged and demanding environments.
- **Better Performance and Higher Capacities Widen the Range of Weighing Applications**
Stabilization time as fast as 1 sec and advanced weighing technology, lead to improved productivity in your facility. Increased capacity unlocks a wider range of weighing applications.

Scout® Portable Balances

Improved Experience with Backlit Display and 4 Button Operation

Poor lighting environment is not an issue with the Scout. The large, bright backlit LCD display improves readability in conditions where lighting is poor, and makes it easy to see the results from a distance. 4 clearly marked buttons remove complexity, and guide you quickly and easily through setup, unit of measure changes, calibration and more.

Durability Guaranteed with Superior Protective Features

The Scout equipped with superior overload protection rated at 10 times the capacity of the balance, high strength stainless steel pan, impact-resistant pan support and integrated transportation/storage lock, delivers the same durable quality that you expect from OHAUS products. To complement our signature durability, we've designed the Scout to be stackable when utilizing the optional stacking and storage cover, which also protects the balance when not in use.

Most Versatile Portable Balance in its Class

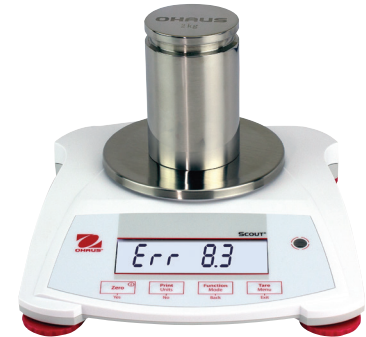
With the Scout, it's all about accuracy, efficiency and possibilities! Stabilization time as fast as 1 sec means increased productivity in any facility or lab. With improved resolution, you can count on extremely precise and repeatable weighing results. Additionally, the increased capacity of the Scout gives you more flexibility in your weighing applications.

Draftshield Model Available

Scout's ingenious draftshield (1mg models only) was designed with an easy to remove top cover piece. This serves as a wind protection ring which keeps the weighing surface stable in rough environments, while maintaining weighing speed.

Built-in Application Modes

- **Weighing**—Determines the weight of items on the pan in the selected unit of measure.
- **Parts Counting**—Counts the number of pieces on the pan using a uniform weight.
- **Percent Weighing**—Measures the weight of a sample displayed as a percentage of a pre-established reference weight.
- **Check Weighing**—Compares the weight of a sample against target limits.
- **Totalization**—Measures cumulative weight of multiple items. Cumulative total may exceed balance capacity.
- **Display Hold**—Manually holds the last stable weight or the first highest stable weighing value on the display.





Draftshield
Protects the sample from external influences, increasing the speed and repeatability of measurements



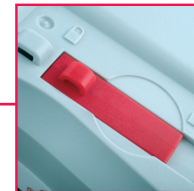
Connectivity
Expanded connectivity options including RS232, USB Host, USB Device, Ethernet and Bluetooth®



Security Slot
Integrated security slot prevents theft



Weigh Below Hook
The integral weigh below hook on the bottom of the Scout allows for density determination or specific gravity calculations



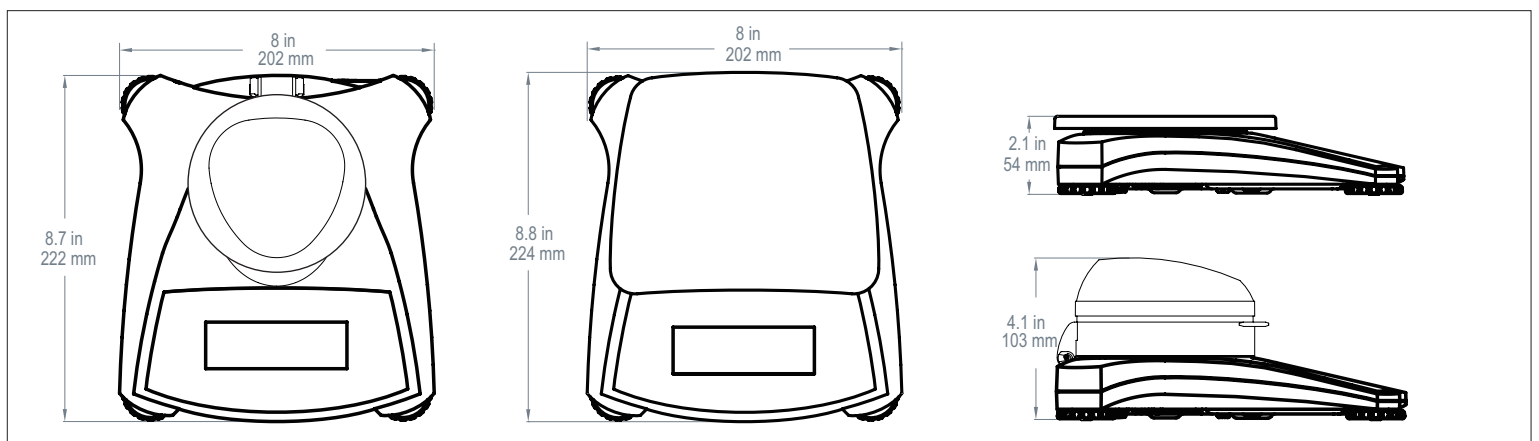
Lockswitch
The Scout can be locked into a specific configuration using the lockswitch

Large Backlit LCD Display
High contrast LCD Display shows weight and application data clearly, even in poor lighting conditions

Capacity & Readability by Weighing Unit

| Model | SPX123 | SPX223 | SPX222 | SPX422 | SPX622 | SPX1202 | SPX2202 | SPX421 | SPX621 | SPX2201 | SPX6201 | SPX8200 |
|---------------------|-------------------|-------------------|-----------------|------------------|-------------------------|--------------------------|--------------------------|----------------|-------------------------|--------------------------|---------------------------|----------------------|
| Gram (g) | 120 × 0.001 | 220 × 0.001 | 220 × 0.01 | 420 × 0.01 | 620 × 0.01 | 1200 × 0.01 | 2200 × 0.01 | 420 × 0.1 | 620 × 0.1 | 2200 × 0.1 | 6200 × 0.1 | 8200 × 1 |
| Kilogram (kg) | / | / | / | / | / | 1.2 × 0.00001 | 2.2 × 0.00001 | / | / | 2.2 × 0.0001 | 6.2 × 0.0001 | 8.2 × 0.001 |
| Carat (ct) | 600 × 0.005 | 1100 × 0.005 | 1100 × 0.05 | 2100 × 0.05 | 3100 × 0.05 | 6000 × 0.05 | 11000 × 0.05 | 2100 × 0.5 | 3100 × 0.5 | 11000 × 0.5 | 31000 × 0.5 | 41000 × 5 |
| Newton (N) | 1.17679 × 0.00001 | 2.15744 × 0.00001 | 2.1574 × 0.0001 | 4.1188 × 0.0001 | 6.0801 × 0.0001 | 11.7679 × 0.0001 | 21.5744 × 0.0001 | 4.119 × 0.001 | 6.080 × 0.001 | 21.574 × 0.001 | 60.801 × 0.001 | 80.41 × 0.01 |
| Ounce (oz) | 4.23290 × 0.00005 | 7.76030 × 0.00005 | 7.7600 × 0.0005 | 14.8150 × 0.0005 | 21.8700 × 0.0005 | 42.3290 × 0.0005 | 77.6030 × 0.0005 | 14.815 × 0.005 | 21.870 × 0.005 | 77.600 × 0.005 | 218.700 × 0.005 | 289.25 × 0.05 |
| Ounce Troy (ozt) | 3.85810 × 0.00005 | 7.07320 × 0.00005 | 7.0730 × 0.0005 | 13.5030 × 0.0005 | 19.9335 × 0.0005 | 38.5810 × 0.0005 | 70.7320 × 0.0005 | 13.500 × 0.005 | 19.930 × 0.005 | 70.730 × 0.005 | 199.335 × 0.005 | 263.60 × 0.05 |
| Pennyweight (dwt) | 77.162 × 0.001 | 141.463 × 0.001 | 141.46 × 0.01 | 270.07 × 0.01 | 398.67 × 0.01 | 771.62 × 0.01 | 1414.63 × 0.01 | 270.1 × 0.1 | 398.7 × 0.1 | 1414.6 × 0.1 | 3986.7 × 0.1 | 5270 × 1 |
| Pound (lb) | / | / | / | / | 1.36690 × 0.00005 | 2.64555 × 0.00005 | 4.85020 × 0.00005 | / | 1.3670 × 0.0005 | 4.8500 × 0.0005 | 13.6685 × 0.0005 | 18.080 × 0.005 |
| Pound:Ounce (lb:oz) | / | / | / | / | 1lb:5.8700oz × 0.0005oz | 2lb:10.3290oz × 0.0005oz | 4lb:13.6030oz × 0.0005oz | / | 1lb:5.8700oz × 0.0005oz | 4lb:13.6000oz × 0.0005oz | 13lb:10.7000oz × 0.0005oz | 18lb:1.25oz × 0.05oz |
| Grain (grn) | 1851.88 × 0.02 | 3395.12 × 0.02 | 3395.0 × 0.2 | 6481.6 × 0.2 | 9568.0 × 0.2 | 18518.8 × 0.2 | 33951.2 × 0.2 | 6480 × 2 | 9570 × 2 | 33950 × 2 | 95680 × 2 | 126540 × 20 |

Outline Dimensions



Scout® Portable Balances

| Model | SPX123 | SPX223 | SPX222 | SPX422 | SPX622 | SPX1202 | SPX2202 | SPX421 | SPX621 | SPX2201 | SPX6201 | SPX8200 |
|---------------------------------|--|------------|-------------------|------------|--|-------------------------------|------------|--------------------|------------|-------------------------------|------------|------------|
| Capacity (g) | 120 | 220 | 220 | 420 | 620 | 1200 | 2200 | 420 | 620 | 2200 | 6200 | 8200 |
| Readability (g) | 0.001 | 0.001 | 0.01 | 0.01 | 0.01 | 0.01 | 0.01 | 0.1 | 0.1 | 0.1 | 0.1 | 1 |
| Repeatability (Std. Dev.) (g) | 0.002 | 0.002 | 0.01 | 0.01 | 0.01 | 0.02 | 0.02 | 0.1 | 0.1 | 0.1 | 0.1 | 1 |
| Linearity (g) | 0.003 | 0.003 | 0.01 | 0.01 | 0.02 | 0.03 | 0.03 | 0.1 | 0.1 | 0.1 | 0.2 | 1 |
| Span Calibration Mass* | 100 g | 200 g | 200 g | 200 g | 300 g | 1 kg | 2 kg | 200 g | 300 g | 2 kg | 5 kg | 8 kg |
| Linearity Calibration Mass | 50, 100 g | 100, 200 g | 100, 200 g | 200, 400 g | 300, 600 g | 500g, 1 kg | 1 kg, 2 kg | 200, 400 g | 300, 600 g | 1 kg, 2 kg | 3 kg, 6 kg | 4 kg, 8 kg |
| Stabilization Time (s) | 1.5 | 1.5 | 1 | 1 | 1 | 1.5 | 1.5 | 1 | 1 | 1 | 1 | 1 |
| Construction | ABS housing & stainless steel pan | | | | | | | | | | | |
| Draftshield | Yes | | | No | | | | | | | | |
| Calibration | User-selectable external span or linearity calibration/Digital with external weight | | | | | | | | | | | |
| Tare Range | Full capacity by subtraction | | | | | | | | | | | |
| Weighing Units | g, kg, ct, N, oz, ozt, dwt, lb, lb:oz, grn | | | | | | | | | | | |
| Application Modes | Weighing, Parts Counting, Percent Weighing, Check Weighing, Totalization, Display Hold | | | | | | | | | | | |
| Power Requirement | AC adapter (included) or 4 AA batteries (not included) | | | | | | | | | | | |
| Typical Battery Life (Hours) | 80 | | 120 | | 80 | | | 120 | | 80 | | 120 |
| Communication | RS232, USB Host, USB Device, Ethernet or Bluetooth® (available as an accessory) | | | | | | | | | | | |
| Display Type | Liquid crystal display (LCD) with backlight | | | | | | | | | | | |
| Display Size | 0.78 in/20 mm digits | | | | | | | | | | | |
| Overload Capacity | 10 times rated capacity | | | | | | | | | | | |
| Operating Temperature Range | 50°F / 10°C to 104°F / 40°C at 10% to 80% relative humidity, non-condensing | | | | | | | | | | | |
| Storage Conditions | -20°C (-4°F) to 55°C (131°F) at 10% to 90% relative humidity, non-condensing | | | | | | | | | | | |
| Pan Size (W x D) | Ø3.7in/ 93 mm | | Ø4.7in/ 120 mm | | | 6.7 x 5.5 in/ 170 x 140 mm | | Ø4.7 in/ 120 mm | | 6.7 x 5.5 in/ 170 x 140 mm | | |
| Balance Dimensions (W x D x H) | 8 x 8.7 x 4.1 in/ 202 x 222 x 103 mm | | | | 8 x 8.8 x 2.1 in/ 202 x 224 x 54 mm | | | | | | | |
| Shipping Dimensions (W x D x H) | 11.8 x 9.8 x 5.1 in/ 300 x 250 x 129 mm | | | | 11.8 x 9.8 x 3.4 in / 300 x 250 x 86 mm | | | | | | | |
| Net Weight | 2.2 lb/1 kg | | | | | | | | | | | |
| Shipping Weight | 3.3 lb/1.5 kg | | | | | | | | | | | |

* Span calibration weight is included with models up to 620g capacity.

Other Standard Features and Equipment

Transportation lock, stainless steel pan, menu & calibration lockout switch, slip-resistant and adjustable feet, leveling bubble, mechanical and software overload/underload protection, stability indicator, auto tare, low battery indicator, auto shut-off, user-selectable printing options, user-selectable communication settings

Compliance

- **Product Safety:** IEC/EN 61010-1; CAN/CSA C22.2 No. 61010-1; UL Std. No. 61010-1
- **Electromagnetic Compatibility:** IEC/EN 61326-1 Class B; FCC Part 15 Class B; Industry Canada ICES-003 Class B

Accessories

| | |
|---|----------|
| RS232 Interface Kit | 30268982 |
| USB Host Interface Kit | 30268983 |
| USB Device Interface Kit | 30268984 |
| Bluetooth Interface Kit | 30268985 |
| Ethernet Interface Kit | 30268986 |
| Stacking & Storage Cover (6 pcs) | 30268987 |
| Stacking & Storage Cover (1 pc) | 30268988 |
| Printer, Impact, SF40A, AM | 30064203 |
| Auxiliary Display Kit | 30269019 |
| Security Device | 80850043 |
| Top Loading Kit for Density Determination | 30269020 |
| Carrying Case | 30269021 |
| In-use Cover | 30269022 |

OHAUS CORPORATION

* 7 Campus Drive
Suite 310
Parsippany, NJ 07054 USA

Tel: 800.672.7722
973.377.9000
Fax: 973.944.7177

www.ohaus.com

With offices throughout
Europe, Asia and
Latin America

*ISO 9001:2008

Registered Quality
Management System

