

# The New Entris®.

Just Weighing.



- Monolithic weigh cell for long-term high accuracy
- Built-in applications and function keys for convenient operation
- Backlit, high-contrast display for user-friendly guidance

## AC Adapter

Sartorius AC adaptor module	6971790 with interchangeable country-specific plug-in AC adaptors
Primary	100 – 240 V~, –10%   +10%, 50 – 60 Hz, 0.2 A
Secondary	15 V DC, ± 5%, 530 mA (max.)   8 Watt (max.): 0 to +40 °C and 15 V DC, ± 5%, 330 mA (max.)   5 Watt (max.): 0 to +50 °C
Other data	protection class II, in accordance with EN   IEC 60950-1 up to 3000 m above sea level; IP40 as per EN   IEC 60529

## Balance

Power supply	only via Sartorius AC adaptor module 6971790
Input voltage	12.0 ... 18.0 V DC
Power consumption	2 W (typically)

## Ambient Conditions

The specifications apply when the following ambient conditions are in place:

Environment	for indoor use only
Ambient temperature	+10 °C to +30 °C
Operational capacity	guaranteed between +5 °C and +45 °C
Storage and shipping	–10 °C to +60 °C
Elevation	up to 3000 m above sea level
Relative humidity	15% to 80% for temperatures up to 31 °C; non-condensing, decreasing linearly to 50% relative humidity at 40 °C and 20% at 50 °C

## Safety of electrical equipment

in accordance with EN 61010-1/IEC 61010-1  
Safety requirements for electrical equipment for measurement, control, and laboratory use – Part 1: General requirements

## Electromagnetic compatibility

in accordance with EN 61326-1/IEC 61326-1  
Electrical equipment for measurement, control, and laboratory use – EMC requirements – Part 1: General requirements

## Defined immunity to interference

Suitable for use in industrial areas

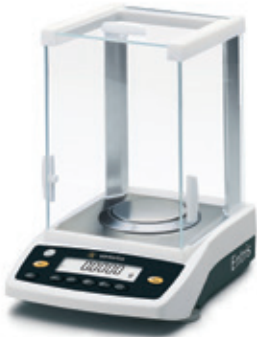
## Interference emission

Class B (suitable for use in residential areas and areas that are connected to a low voltage network that also supplies residential buildings). The device can therefore be used in both areas.

# Technical Specifications

## Standard Equipment

Levelling	Glass level indicator with air bubble for centering
Calibration	External calibration
Selectable weight units	Grams, Kilograms, Carats, Pounds, Ounces, Troy ounces, Hong Kong taels, Singapore taels, Taiwan taels, Grains, Pennyweights, Milligrams, Parts per pound, China taels, Mommies, Austrian carats, Tola, Baht, Mesghal, Tons, Pounds: ounces, Newton
Interface	RS232C 25-pin
Display	White backlit, high-contrast display with 15 mm digits
Standard built-in applications	Weighing, Density, Percentage, Counting, Animal Weighing, Conversion
Languages	English, French, German, Italian, Polish, Russian, Spanish
Anti-theft lock	Lockdown capability for cable or chain
Underfloor weighing	Integrated



Design 1



Design 2



Design 3



Design 4

**Analytical Balances Entris®**

<b>Model</b>		<b>ENTRIS224-1S</b>	<b>ENTRIS124-1S</b>	<b>ENTRIS64-1S</b>
Weighing capacity	g	220	120	60
Readability	mg	0.1	0.1	0.1
Repeatability (standard deviation)	mg	0.1	0.1	0.1
Linearity deviation	mg	0.2	0.2	0.2
Sensitivity drift between +10 °C and +30 °C	± ppm/K	3	3	3
Typical stabilization time	s	2.5	2.5	2.5
Weighing pan size	mm	Ø 90	Ø 90	Ø 90
Weighing chamber height	mm	173 × 176 × 240	173 × 176 × 240	173 × 176 × 240
Net weight, approx.	kg	4.4	4.4	4.4
Calibration		External	External	External
Design		1	1	1
Dimensions, D × W × H	mm	303 × 230 × 330		
	Inch	11.9 × 9.1 × 13		

## Precision Balances Entris®

Model		ENTRIS 623-1S	ENTRIS 423-1S	ENTRIS 323-1S	ENTRIS 153-1S	ENTRIS 6202-1S	ENTRIS 4202-1S	ENTRIS 3202-1S	ENTRIS 2202-1S
Weighing capacity	g	620	420	320	150	6,200	4,200	3,200	2,200
Readability	mg	1	1	1	1	10	10	10	10
Repeatability (standard deviation)	mg	1	1	1	1	10	10	10	10
Linearity deviation	mg	2	2	2	2	30	30	30	30
Sensitivity drift between +10 °C and +30 °C	± ppm/K	3	3	3	3	4	4	4	4
Typical stabilization time	s	1.0	1.0	1.1	1.3	1.5	1.5	1.5	1.5
Weighing pan size	mm	Ø 115	Ø 115	Ø 115	Ø 115	180×180	180×180	180×180	180×180
Weighing chamber height	mm	-	-	-	-	-	-	-	-
Net weight, approx.	kg	3.2	3.2	3.2	2.6	3.1	3.1	3.1	3.1
Calibration		External	External	External	External	External	External	External	External
Design		2	2	2	2	4	4	4	4
Dimensions, D×W×H	mm Inch	303 × 230 × 136 11.9 × 9.1 × 5.4				303 × 230 × 91 11.9 × 9.1 × 3.6			

Model		ENTRIS822-1S	ENTRIS8201-1S	ENTRIS5201-1S	ENTRIS2201-1S
Weighing capacity	g	820	8,200	5,200	2,200
Readability	mg	10	100	100	100
Repeatability (standard deviation)	mg	10	100	100	100
Linearity deviation	mg	30	300	300	300
Sensitivity drift between +10 °C and +30 °C	± ppm/K	4	8	8	8
Typical stabilization time	s	1.5	1.5	1.5	1.5
Weighing pan size	mm	Ø 150	180×180	180×180	180×180
Weighing chamber height	mm	-	-	-	-
Net weight, approx.	kg	2.0	2.7	2.7	2.7
Calibration		External	External	External	External
Design		3	4	4	4
Dimensions, D × W × H	mm Inch	303 × 230 × 87 11.9 × 9.1 × 3.4	303 × 230 × 91 11.9 × 9.1 × 3.6	303 × 230 × 91 11.9 × 9.1 × 3.6	303 × 230 × 91 11.9 × 9.1 × 3.6

## Optional Accessories

### Printers and Communications

Standard Laboratory Printer	YDP20-OCE
– Printer paper	6906937
– Ink ribbon rolls	6906918
Data cable RS232C   USB	YCC01-USBM2

### General

Battery pack for Standard Lab Balances	YRB11Z
Second display, backlit LCD, character height: 15 mm	YRD03Z
Ionizing blower, for electrostatically charge of samples	
– 220-230 V	YIB01-ODR
– 110-115 V	YIB01-OUR
Stat pen, for neutralize static electricity on samples (100 – 230 V, 50   60 Hz)	YSTP01
In-use cover for balances with rectangular weighing pan	6960ED01
In-use cover for balances with round weighing pan	6960ED02

### Density Determination

Density kit for analytical balances	YDK01LP
-------------------------------------	---------

### Calibration Weights

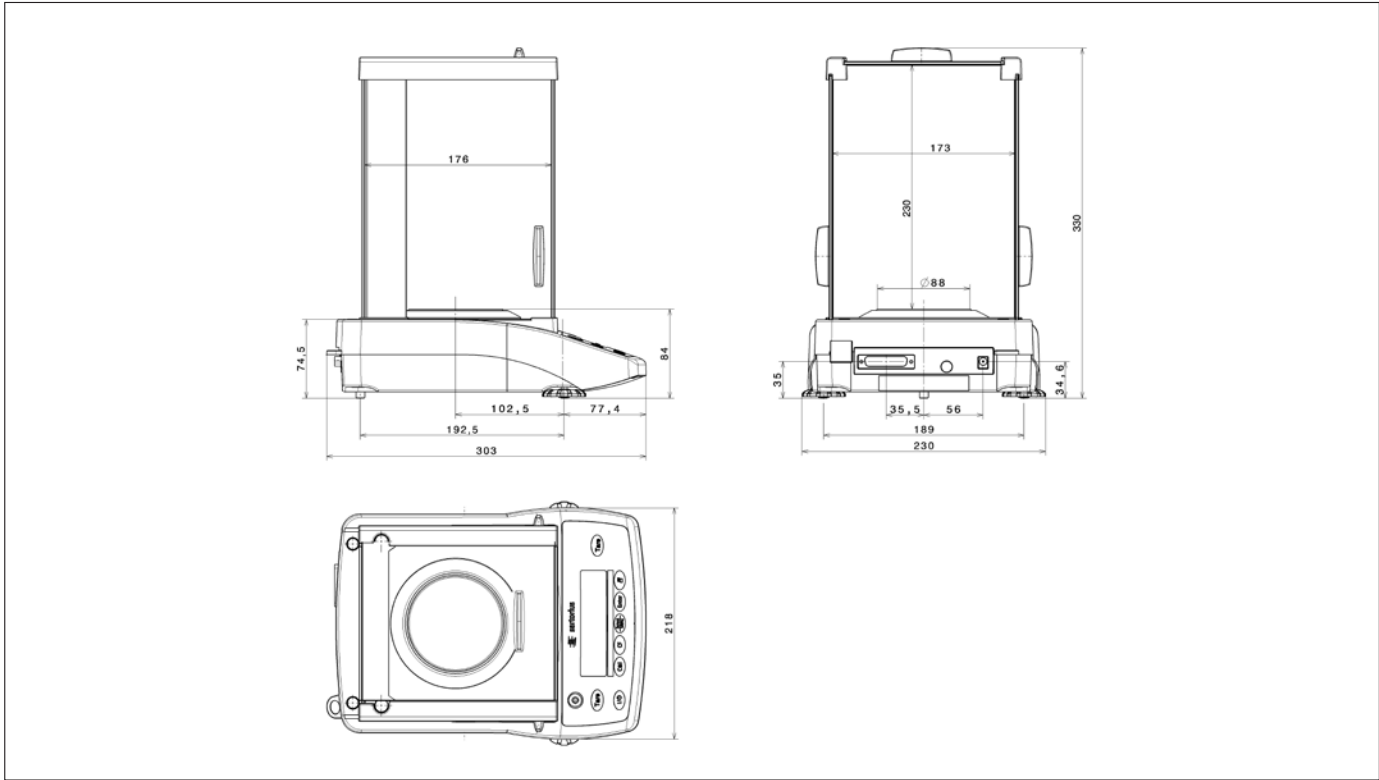
Calibration for lab balance model 224	YCW522-AC-02
– Proof Line knob weight 200 g, OIML class E2, with DAkkS certificate	
Calibration for lab balance model 124	YCW512-AC-02
– Proof Line knob weight 100 g, OIML class E2, with DAkkS certificate	
Calibration for lab balance model 64	YCW452-AC-02
– Proof Line knob weight 50 g, OIML class E2, with DAkkS certificate	
Calibration for lab balance model 623	YCW553-AC-02
– Proof Line knob weight 500 g, OIML class F1, with DAkkS certificate	
Calibration for lab balance model 423; 323	YCW523-AC-02
– Proof Line knob weight 200 g, OIML class F1, with DAkkS certificate	
Calibration for lab balance model 153	YCW513-AC-02
– Proof Line knob weight 100 g, OIML class F1, with DAkkS certificate	
Calibration for lab balance model 6202	YCW653-AC-02
– Proof Line knob weight 5 kg, OIML class F1, with DAkkS certificate	
Calibration for lab balance model 4202; 3202; 2202	YCW623-AC-02
– Proof Line knob weight 2 kg, OIML class F1, with DAkkS certificate	
Calibration for lab balance model 822	YCW554-AC-02
– Proof Line knob weight 500 g, OIML class F2, with DAkkS certificate	
Calibration for lab balance model 8201; 5201	YCW654-AC-02
– Proof Line knob weight 5 kg, OIML class F2, with DAkkS certificate	
Calibration for lab balance model 2201	YCW624-AC-02
– Proof Line knob weight 2 kg, OIML class F2, with DAkkS certificate	



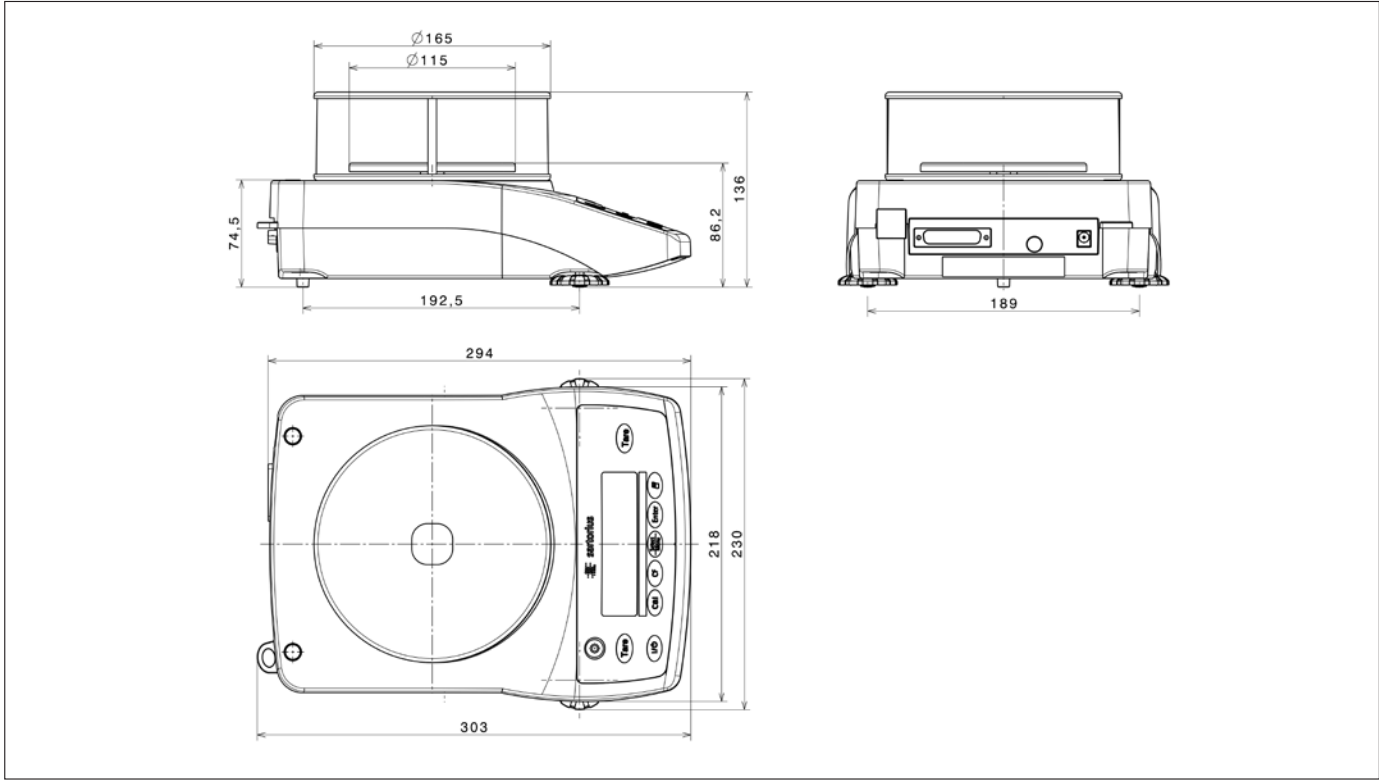
YDP20-OCE, Standard Laboratory Printer

# Technical Drawings

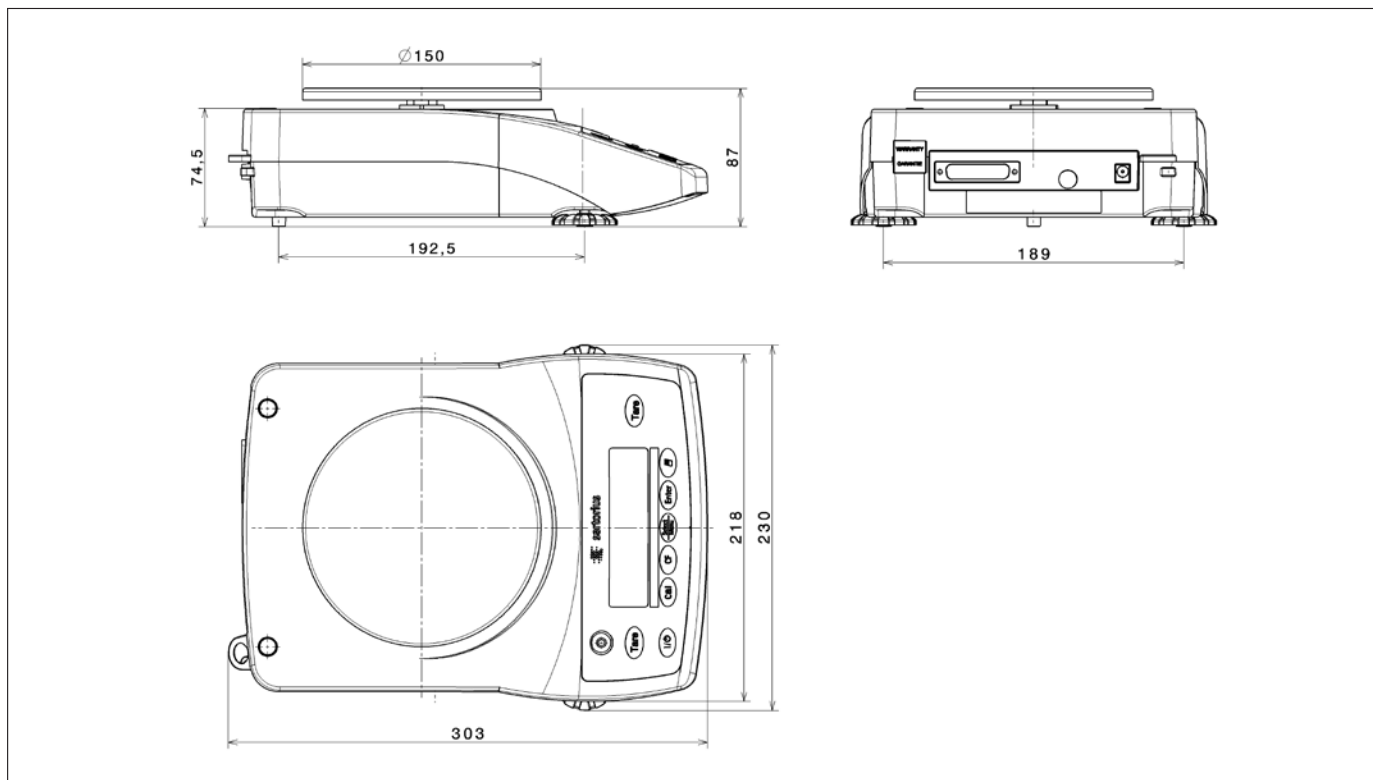
Models with a readability of 0.1 mg, in mm



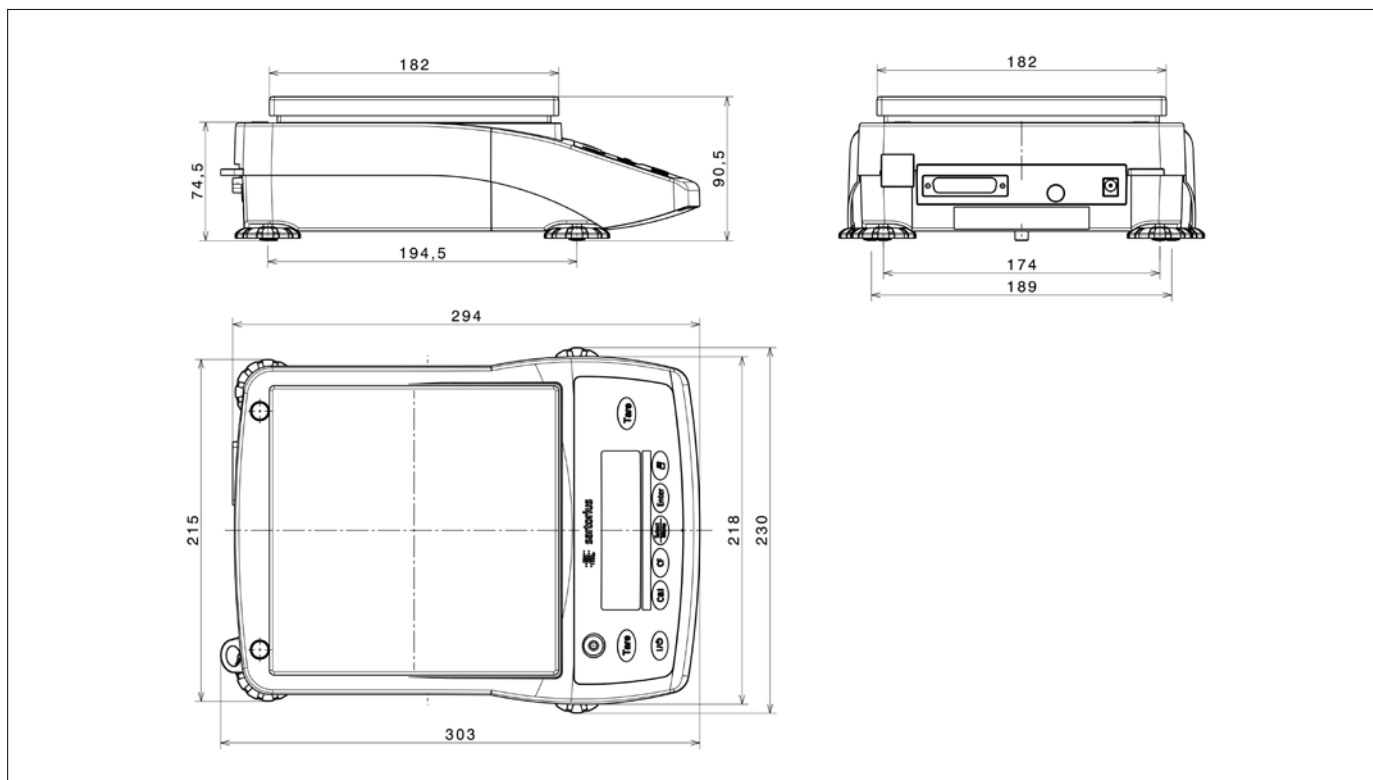
Models with a readability of 1 mg, in mm



Models with a readability of  $\geq 10$  mg (in mm) and round weighing pan



Models with a readability of  $\geq 10$  mg (in mm) and rectangular weighing pan



# Sales and Service Contacts

For further contacts, visit [www.sartorius.com](http://www.sartorius.com)

## Europe

### Germany

Sartorius Lab Instruments  
GmbH & Co. KG  
Weender Landstrasse 94-108  
37075 Goettingen

Phone +49.551.308.0  
Fax +49.551.308.3289

### France & Suisse Romande

Sartorius France  
2, rue Antoine Laurent de Lavoisier  
ZA de la Gaudrée  
91410 Dourdan

Phone +33.1.70.62.50.00  
Fax +33.1.64.59.76.39

### Austria

Sartorius Austria GmbH  
Franzosengraben 12  
1030 Vienna

Phone +43.1.7965760.0  
Fax +43.1.7965760.24

### Belgium

Sartorius Belgium N.V.  
Leuvensesteenweg, 248/B  
1800 Vilvoorde

Phone +32.2.756.06.71  
Fax +32.2.253.45.95

### Finland & Baltics

Sartorius Biohit Liquid Handling Oy  
Laippatie 1  
00880 Helsinki

Phone +358.9.755.951  
Fax +358.9.755.95.200

### Hungary

Sartorius Hungária Kft.  
Kagyló u. 5.  
2092 Budakeszi

Phone +3623.457.227  
Fax +3623.457.147

### Ireland

Sartorius Ireland Ltd.  
Unit 41, The Business Centre  
Stadium Business Park  
Ballycoolin Road  
Dublin 11

Phone +353.1.8089050  
Fax +353.1.8089388

### Italy

Sartorius Italy S.r.l.  
Viale A. Casati, 4  
20835 Muggiò (MB)

Phone +39.039.4659.1  
Fax +39.039.4659.88

### Netherlands

Sartorius Netherlands B.V.

Phone +31.30.60.53.001  
Fax +31.30.60.52.917  
[info.netherlands@sartorius.com](mailto:info.netherlands@sartorius.com)

### Poland

Sartorius Poland sp.z o.o.  
ul. Wrzesinska 70  
62-025 Kostrzyn

Phone +48.61.6473830  
Fax +48.61.6473839

### Russian Federation & Ukraine

LLC "Sartorius ICR"  
and LLC "Biohit"  
Uralskaya str. 4, Lit. B  
199155, Saint-Petersburg

Phone +7.812.327.5.327  
Fax +7.812.327.5.323

### Spain & Portugal

Sartorius Spain S.A.  
Offices in Madrid:  
C/ Isabel Colbrand, 10-12, of. 70  
28050 Madrid

Phone Spain +34.902.123.367  
Phone Portugal +351.800.855.800  
Fax Spain +34.91.358.84.85  
Fax Portugal +351.800.855.799

### Switzerland

Sartorius Mechatronics Switzerland AG  
Ringstrasse 24a  
8317 Tagelswangen (ZH)

Phone +41.44.746.50.00  
Fax +41.44.746.50.50

### U.K.

Sartorius UK Ltd.  
Longmead Business Centre  
Blenheim Road, Epsom  
Surrey KT19 9QQ

Phone +44.1372.737159  
Fax +44.1372.726171

## America

### USA

Sartorius Corporation  
5 Orville Drive, Suite 200  
Bohemia, NY 11716

Phone +1.631.254.4249  
Toll-free +1.800.635.2906  
Fax +1.631.254.4253

### Argentina

Sartorius Argentina S.A.  
Int. A. Avaslos 4251  
B1605ECS Munro  
Buenos Aires

Phone +54.11.4721.0505  
Fax +54.11.4762.2333

### Brazil

Sartorius do Brasil Ltda  
Avenida Senador Vergueiro 2962  
São Bernardo do Campo  
CEP 09600-000 - SP- Brasil

Phone +55.11.4362.8900  
Fax + 55.11.4362.8901

### Canada

Sartorius Canada Inc.  
2179 Dunwin Drive #4  
Mississauga, ON L5L 1X2

Phone +1.905.569.7977  
Toll-Free +1.800.668.4234  
Fax +1.905.569.7021

### Mexico

Sartorius de México S.A. de C.V.  
Circuito Circunvalación Poniente  
No. 149  
Ciudad Satélite  
53100, Estado de México  
México

Phone +52.5555.62.1102  
Fax +52.5555.62.2942

## Asia | Pacific

### Australia

Sartorius Australia Pty. Ltd.  
Unit 5, 7-11 Rodeo Drive  
Dandenong South Vic 3175

Phone +61.3.8762.1800  
Fax +61.3.8762.1828

### China

Sartorius Scientific  
Instruments (Beijing) Co., Ltd.  
33 Yu An Road, Airport Industrial Park  
Zone B,  
Shunyi District, Beijing 101300,  
P.R.China

Phone +86.10.8042.6300  
Fax +86.10.8042.6486

### Hong Kong

Sartorius Hong Kong Ltd.  
Unit 1012, Lu Plaza  
2 Wing Yip Street  
Kwung Tong  
Kowloon, Hong Kong

Phone +852.2774.2678  
Fax +852.2766.3526

### India

Sartorius Weighing India Pvt. Ltd.  
#69/2-69/3, NH 48, Jakkasandra,  
Nelamangala Tq  
562 123 Bangalore, India

Phone +91.80.4350.5250  
Fax +91.80.4350.5253

### Japan

Sartorius Stedim Japan K.K.  
4th Fl., Daiwa Shinagawa North Bldg.  
8-11, Kita-Shinagawa 1-chome  
Shinagawa-ku, Tokyo, 140-0001 Japan

Phone +81.3.4331.4300  
Fax +81.3.4331.4301

### Malaysia

Sartorius Malaysia Sdn. Bhd  
Lot L3-E-3B, Enterprise 4  
Technology Park Malaysia  
Bukit Jalil  
57000 Kuala Lumpur, Malaysia

Phone +60.3.8996.0622  
Fax +60.3.8996.0755

### Singapore

Sartorius Singapore Pte. Ltd  
1 Science Park Road,  
The Capricorn, #05-08A,  
Singapore Science Park II  
Singapore 117528

Phone +65.6872.3966  
Fax +65.6778.2494

### South Korea

Sartorius Korea Ltd.  
8th Floor, Solid Space B/D,  
PanGyoYeok-Ro 220, Bundang-Gu  
SeongNam-Si, GyeongGi-Do, 463-400

Phone +82.31.622.5700  
Fax +82.31.622.5799

### Thailand

Sartorius (Thailand) Co. Ltd.  
129 Rama 9 Road,  
Huaykwang  
Bangkok 10310

Phone +66.2643.8361-6  
Fax +66.2643.8367



◀ [www.sartorius.com](http://www.sartorius.com)