



The New Secura®

Easy, Reliable Weighing in Regulated Areas.



No Risk!

Blocked data transfer to printer or computer if ...

the balance is not leveled correctly

the SQmin value is not observed

the balance is not calibrated correctly

AC Adapter

Sartorius AC adaptor module	6971790 with interchangeable country-specific plug-in AC adaptors
Primary	100 – 240 V~, -10% +10%, 50 – 60 Hz, 0.2 A
Secondary	15 V DC, ± 5%, 530 mA (max.) 8 Watt (max.): 0 to +40°C and 15 V DC, ± 5%, 330 mA (max.) 5 Watt (max.): 0 to +50°C
Other data	protection class II, in accordance with EN IEC 60950-1 up to 3000 m above sea level; IP40 as per EN IEC 60529

Balance

Power supply	only via Sartorius AC adaptor module 6971790
Input voltage	12.0 ... 18.0 V DC
Power consumption	2 W (typically)

Ambient Conditions

The specifications apply when the following ambient conditions are in place:	
Environment	for indoor use only
Ambient temperature *	+10°C to +30°C
Operational capacity	guaranteed between +5°C and +45°C +45 °C
Storage and shipping	-10 °C to +60 °C
Elevation	up to 3000 m above sea level
Relative humidity**	15% to 80% for temperatures up to 31°C; non-condensing, decreasing linearly to 50% relative humidity at 40°C and 20% at 50°C

Safety of electrical equipment	in accordance with EN 61010-1/IEC 61010-1. Safety requirements for electrical equipment for measurement, control, and laboratory use – Part 1: General requirements
---------------------------------------	---

Electromagnetic compatibility	in accordance with EN 61326-1/IEC 61326-1. Electrical equipment for measurement, control, and laboratory use – EMC requirements – Part 1: General requirements
--------------------------------------	--

Defined immunity to interference	Suitable for use in industrial areas
----------------------------------	--------------------------------------

Interference emission	Class B (suitable for use in residential areas and areas that are connected to a low voltage network that also supplies residential buildings). The device can therefore be used in both areas.
-----------------------	---

Balances verified for use in legal metrology comply with the requirements of Council Directive 2009/23/EC, EN 45501:1992, and OIML R76:2006.

* For balances verified for use in legal metrology in accordance with EU requirements, refer to the information on the balance.

** For balances verified for use in legal metrology in accordance with EU requirements, the legal regulations apply.

Technical Specifications

Standard Equipment

APC Features	<ul style="list-style-type: none">- Monitoring of compliance with the USP minimum sample weight limits – SQmin- Password protection of set-up settings- Fully automatic temperature- and time-controlled internal calibration and adjustment – isoCAL- Temporary blockage of data transfer to a printer or a computer when uncertain weighing results are detected, such as a result is below the USP minimum sample weight limit, the balance is not level or isoCAL calibration adjustment needs to be performed- Storage of all data of calibration procedures – Cal Audit Trail
Safety Level	Three configurable levels of security
Levelling	Intelligent, optoelectronic leveling sensor with alarm function and interactive user guidance for reliable leveling
Calibration	Internal calibration isoCAL, External calibration
Selectable weight units ¹	Gram, kilogram, carat, pound, ounce, troy ounce, Hong Kong tael, Singapore tael, Taiwan tael, grain, pennyweights, milligram, parts per pound, China tael, mommes, Austrian carat, tola, baht, mesghal and Newton
Interface	mini USB <ul style="list-style-type: none">- Automatic recognition of Sartorius printer models YDP30 or YDP40- Direct data transfer to Microsoft® Windows programs- Programmable interval for data output- Data transfer protocols SBI, xBPI, table format, text format
Display	Touch screen with Sartorius graphical user interface optimized for users in pharmaceutical laboratories
Standard built-in applications	Weighing, Density, Percentage, Checkweighing, Peak Hold, Counting, Unstable Conditions
Special built-in lab applications	Mixing, Components, Statistics, Conversion
Languages	English, German, French, Spanish, Italian, Russian, Chinese, Polish, Japanese, Portuguese
Protection	<ul style="list-style-type: none">- Chemical resistant finish of the housing- In-use cover- Dust cover for analytical balances
Anti-theft lock	Kensington lock and lockdown capability for cable or chain

¹ Limited for verified models



Analytical Balances Secura®

Model		224	124
Weighing capacity	g	220	120
Readability	mg	0.1	0.1
Repeatability (standard deviation)	mg	0.1	0.1
Linearity deviation	mg	0.2	0.2
Minimum weight as per USP, typical	g	0.12	0.12
Sensitivity drift between +10 and +30°C	± ppm/K	1.5	1.5
Typical stabilization time	s	2	2
isoCAL:			
– Temperature change	K	1.5	1.5
– Time interval	h	4	4
Display result (depending on the set filter level)	s	0.2	0.2
Weighing pan size	mm	∅ 90	∅ 90
Weighing chamber height	mm	209	209
Net weight, approx.	kg	5.1	5.1
Dimensions, D × W × H		mm	360 × 216 × 320
		Inch	14.1 × 8.5 × 12.6

Precision Balances Secura®

Model		513	313	213	5102	3102	2102	1102
Weighing capacity	g	510	310	210	5100	3100	2100	1100
Readability	mg	1	1	1	10	10	10	10
Repeatability (standard deviation)	mg	1	1	1	10	10	10	10
Linearity deviation	mg	2	2	2	20	20	20	20
Minimum weight as per USP, typical	g	1.5	1.5	1.5	12	12	12	12
Sensitivity drift between +10 and +30°C	± ppm/K	3	3	3	3	3	3	3
Typical stabilization time	s	1.5	1.5	1.5	1.5	1.5	1.5	1.5
isoCAL:								
– Temperature change	K	2	4	4	2	4	4	4
– Time interval	h	6	12	12	6	12	12	24
Display result (depending on the set filter level)	s	0.1 0.2	0.1 0.2	0.1 0.2	0.1 0.2	0.1 0.2	0.1 0.2	0.1 0.2
Weighing pan size	mm	∅ 120	∅ 120	∅ 120	∅ 180	∅ 180	∅ 180	∅ 180
Weighing chamber height	mm	209	209	209	–	–	–	–
Net weight, approx.	kg	5.1	5.1	5.1	5.2	5.2	5.2	5.2
Dimensions, D × W × H		mm	360 × 216 × 320			360 × 216 × 95		
		Inch	14.1 × 8.5 × 12.6			14.1 × 8.5 × 3.75		

Verified Models with Country-specific Type Approval Certificate

Analytical Balances Secura®

Model		224-1x ¹	124-1x ¹
Accuracy class		Ⓡ	Ⓡ
Type ²		SQP-A	SQP-A
Max	g	220	120
Scale interval d	mg	0.1	0.1
Verification scale interval e	mg	1	1
Min	mg	10	10
Tare (subtractive)		<100 % of the max. weighing capacity	
Minimum sample weight as per USP, typical	g	0.12	0.12
Typical stabilization time	s	2	2
isoCAL:			
– Temperature change	K	1.5	1.5
– Time interval	h	4	4
Display result (depending on the set filter level)	s	0.2	0.2
Weighing pan size	mm	∅ 90	∅ 90
Weighing chamber height	mm	209	209
Net weight, approx.	kg	5.1	5.1
Dimensions, D × W × H	mm Inch	360 × 216 × 320 14.1 × 8.5 × 12.6	

Precision Balances Secura®

Model		513-1x ¹	313-1x ¹	213-1x ¹	5102-1x ¹	3102-1x ¹	2102-1x ¹	1102-1x ¹
Accuracy class		Ⓡ	Ⓡ	Ⓡ	Ⓡ	Ⓡ	Ⓡ	Ⓡ
Type ²		SQP-B	SQP-B	SQP-B	SQP-C	SQP-C	SQP-D	SQP-D
Max	g	510	310	210	5100	3100	2100	1100
Scale interval d	mg	1	1	1	10	10	10	10
Verification scale interval e	mg	10	10	10	100	100	100	100
Min	mg	20	20	20	500	500	500	500
Tare (subtractive)		<100 % of the max. weighing capacity						
Minimum sample weight as per USP, typical	g	1.5	1.5	1.5	12	12	12	12
Typical stabilization time	s	1.5	1.5	1.5	1.5	1.5	1.5	1.5
isoCAL:								
– Temperature change	K	2	2	2	2	2	2	2
– Time interval	h	6	6	6	6	6	6	6
Display result (depending on the set filter level)	s	0.1 0.2	0.1 0.2	0.1 0.2	0.1 0.2	0.1 0.2	0.1 0.2	0.1 0.2
Weighing pan size	mm	∅ 120	∅ 120	∅ 120	∅ 180	∅ 180	∅ 180	∅ 180
Weighing chamber height	mm	209	209	209	–	–	–	–
Net weight, approx.	kg	5.1	5.1	5.1	5.2	5.2	5.2	5.2
Dimensions, D × W × H	mm Inch	360 × 216 × 320 14.1 × 8.5 × 12.6			360 × 216 × 95 14.1 × 8.5 × 3.75			

¹ Possible terms for country-specific models:

x = CEU: Verified balances with EC Type Approval Certificate D12-09-014 (for EU except France, Italy, and Switzerland)

x = CFR: Verified balances with EC Type Approval Certificate D12-09-014 for France only

x = CIT: Verified balances with EC Type Approval Certificate D12-09-014 for Italy only

x = CCH: Verified balances with EC Type Approval Certificate D12-09-014 for Switzerland only

x = NUS: NTEP Certificate for USA

x = CN: CMC Type Approval Certificate for China

x = OJP: Balance with Type Approval Certificate for Japan

x = OBR: Balance with Type Approval Certificate for Brazil

x = OAR: Balance with Type Approval Certificate for Argentina

x = OKR: Balance with Type Approval Certificate for South Korea

x = ORU: Balance with Type Approval Certificate for Russia

x = OIN: Balance with Type Approval Certificate for India

x = OCA: Balance with Type Approval Certificate for Canada

² All models with "...CN": type "SQP"

Optional Accessories

Printers and Communications

Premium GLP Laboratory Printer	YDP30
– Printer paper for GLP laboratory printer	69Y03285
– Endless labels for GLP laboratory printer	69Y03286
Standard Laboratory Printer	YDP40
– Printer paper for standard laboratory printer	69Y03287
Data Cable Mini USB USB A	YCC04-D09
Date Cable Mini USB / RS232 9-pin	YCC03-D09

General

Battery Pack for Standard Lab Balances	YRB11Z
Draft ring for analytical balances	YDS01SQP
In-use cover for analytical balances	6960SE01
In-use cover for precision balances	6960SE02
Dust cover for analytical balances with draft shield	6960SE03
Certificate of USP minimum weight	on request

Density Determination

Density kit for analytical balances	YDK03
-------------------------------------	-------

Calibration Weights

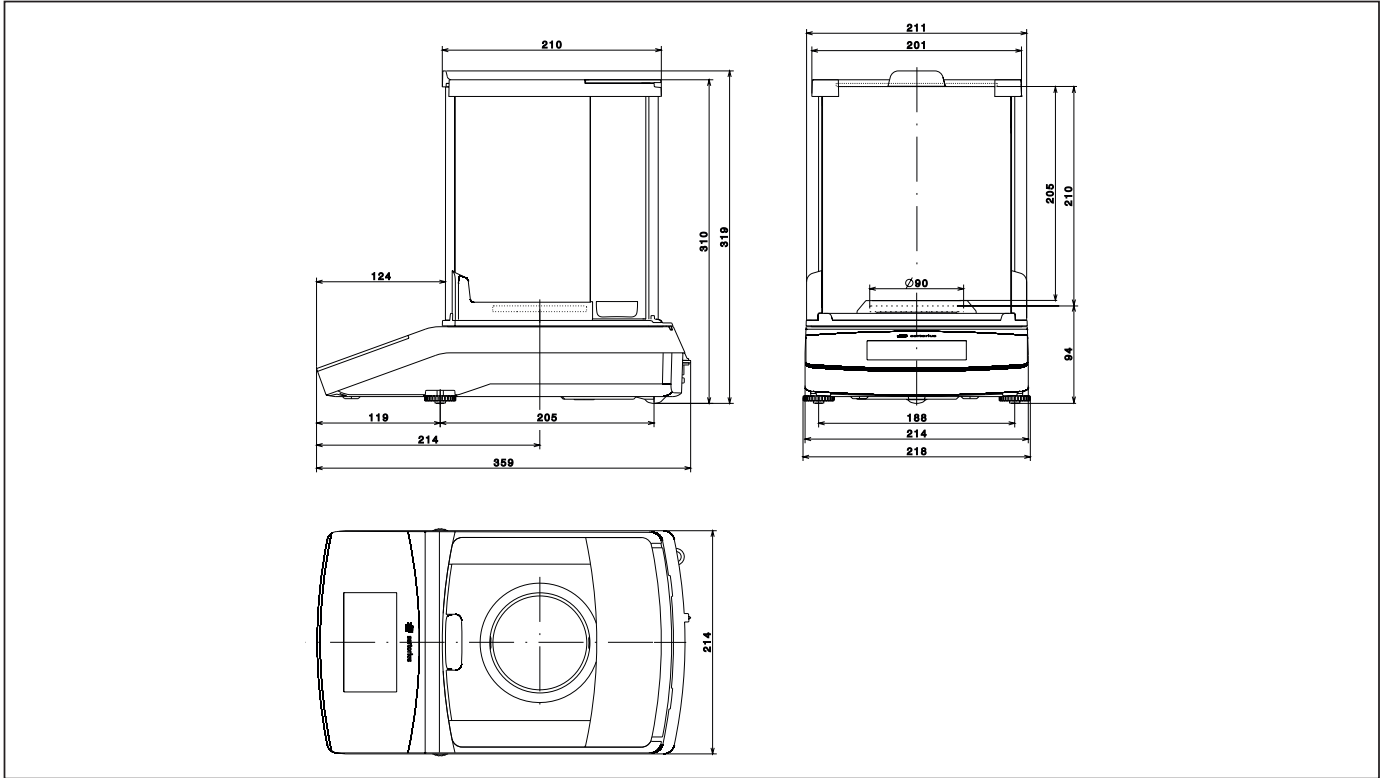
Calibration for lab balance model 124	YCW512-AC-02
– Proof Line knob weight 100 g, OIML class E2, with DAkkS certificate	
Calibration for lab balance model 224; 313; 213	YCW522-AC-02
– Proof Line knob weight 200 g, OIML class E2, with DAkkS certificate	
Calibration for lab balance model 513	YCW552-AC-02
– Proof Line knob weight 500 g, OIML class E2, with DAkkS certificate	
Calibration for lab balance model 1102	YCW612-AC-02
– Proof Line knob weight 1 kg, OIML class E2, with DAkkS certificate	
Calibration for lab balance model 3102; 2102	YCW622-AC-02
– Proof Line knob weight 2 kg, OIML class E2, with DAkkS certificate	
Calibration for lab balance model 5102	YCW652-AC-02
– Proof Line knob weight 5 kg, OIML class E2, with DAkkS certificate	



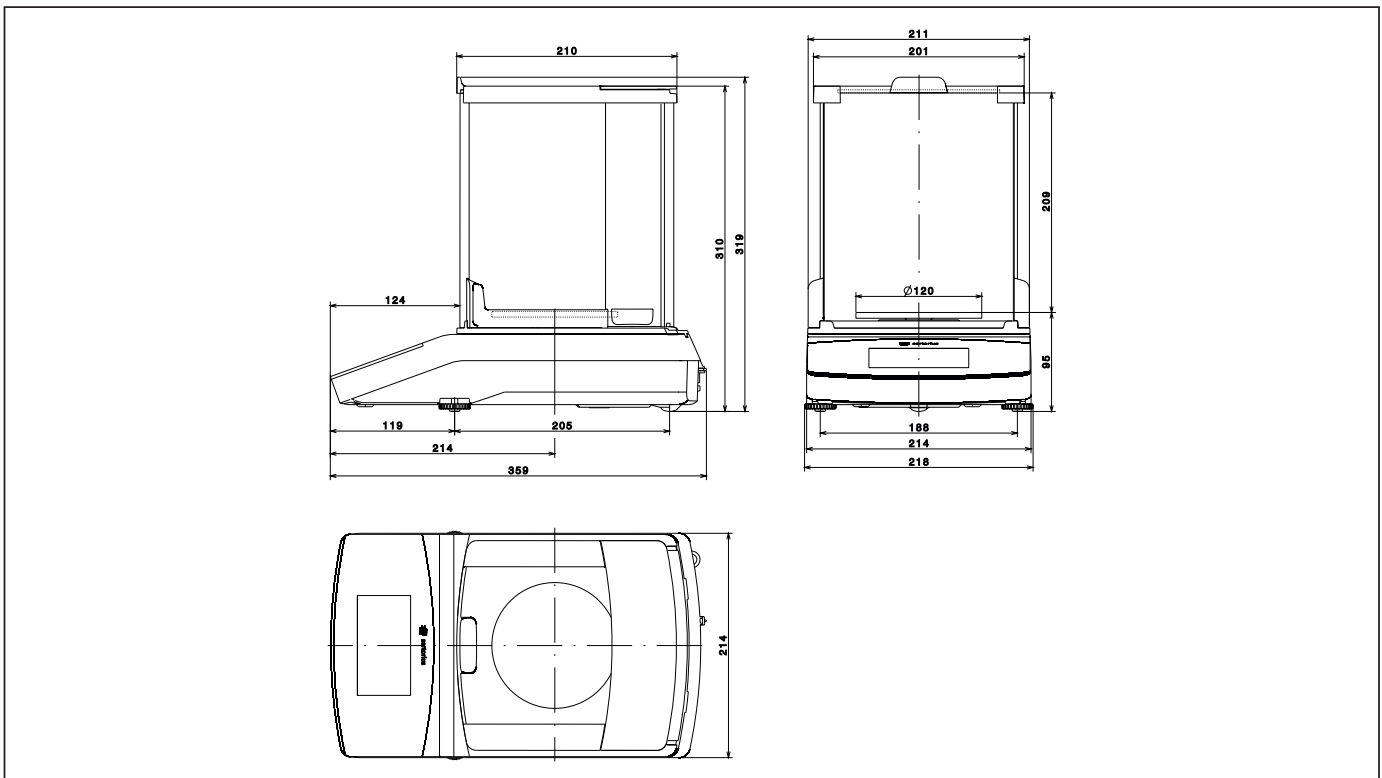
YDP30, Premium GLP Laboratory Printer

Technical Drawings

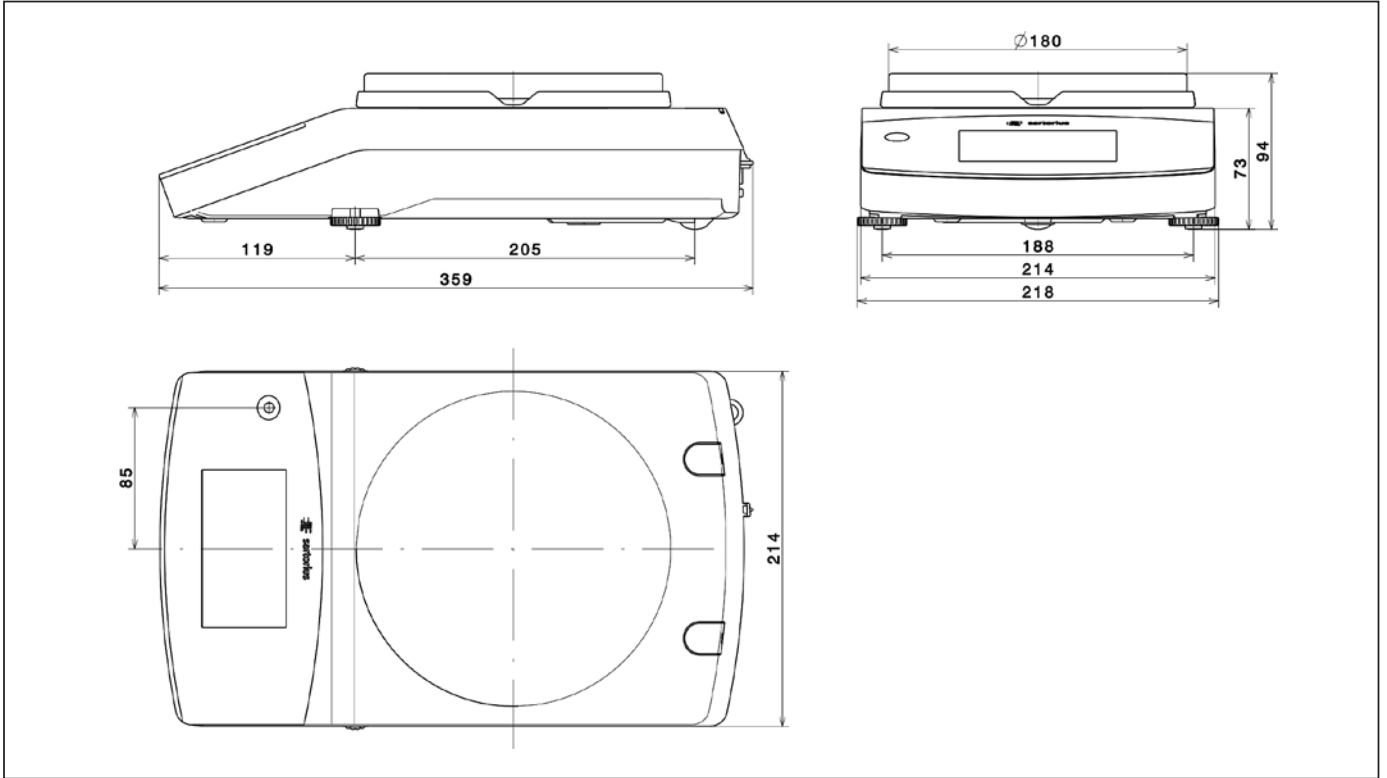
Models with a readability of 0.1 mg, in mm



Models with a readability of 1 mg, in mm



Models with a readability of ≥ 10 mg, in mm



Sales and Service Contacts

For further contacts, visit www.sartorius.com

Europe

Germany

Sartorius Weighing Technology GmbH
Weender Landstrasse 94-108
37075 Goettingen

Phone +49.551.308.0
Fax +49.551.308.3289

www.sartorius.com

France & Suisse Romande

Sartorius France S.A.S.
ZI Les Paluds
Avenue de Jouques - CS 31090
13781 Aubagne Cedex

Phone +33.442.845600
Fax +33.442.846545

Austria

Sartorius Austria GmbH
Franzosengraben 12
1030 Vienna

Phone +43.1.7965760.0
Fax +43.1.7965760.24

Belgium

Sartorius Belgium N.V.
Leuvensesteenweg, 248/B
1800 Vilvoorde

Phone +32.2.756.06.71
Fax +32.2.253.45.95

Finland & Baltics

Sartorius Biohit Liquid Handling Oy
Laippatie 1
00880 Helsinki

Phone +358.9.755.951
Fax +358.9.755.95.292

Hungary

Sartorius Hungária Kft.
Kagyló u. 5.
2092 Budakeszi

Phone +3623.457.227
Fax +3623.457.147

Ireland

Sartorius Ireland Ltd.
Unit 41, The Business Centre
Stadium Business Park
Ballycoolin Road
Dublin 11

Phone +353.1.8089050
Fax +353.1.8089388

Italy

Sartorius Italy S.r.l.
Via dell'Antella, 76/A
50012 Antella-Bagno a Ripoli (FI)

Phone +39.055.63.40.41
Fax +39.055.63.40.526

Netherlands

Sartorius Netherlands B.V.
Edisonbaan 24
3439 MN Nieuwegein

Phone +31.30.6053001
Fax +31.30.6052917

Poland

Sartorius Poland sp.z o.o.
ul. Wrzesinska 70
62-025 Kostrzyn

Phone +48.61.6473830
Fax +48.61.6473839

Russian Federation

LLC "Sartorius ICR"
and LLC "Biohit"
Uralskaya str. 4, Lit. B
199155, Saint-Petersburg

Phone +7.812.327.5.327
Fax +7.812.327.5.323

Scandinavia

Sartorius Nordic A/S
Hoerskaetten 6D
2630 Taastrup, Denmark

Phone +45.7023.4400
Fax +45.4630.4030

Spain & Portugal

Sartorius Spain S.A.
Offices in Madrid:
C/ Isabel Colbrand, 10-12, of. 70
28050 Madrid

Phone Spain +34.902.123.367
Phone Portugal +351.800.855.800
Fax Spain +34.91.358.84.85
Fax Portugal +351.800.855.799

Switzerland

Sartorius Mechatronics Switzerland AG
Ringstrasse 24a
8317 Tagelswangen (ZH)

Phone +41.44.746.50.00
Fax +41.44.746.50.50

U.K.

Sartorius UK Ltd.
Longmead Business Centre
Blenheim Road, Epsom
Surrey KT19 9QQ

Phone +44.1372.737159
Fax +44.1372.729927

America

USA

Sartorius Corporation
5 Orville Drive, Suite 200
Bohemia, NY 11716

Phone +1.631.254.4249
Toll-free +1.800.635.2906
Fax +1.631.254.4253

Argentina

Sartorius Argentina S.A.
Int. A. Ávalos 4251
B1605ECS Munro
Buenos Aires

Phone +54.11.4721.0505
Fax +54.11.4762.2333

Brazil

Sartorius do Brasil Ltda
Av. Dom Pedro I, 241
Bairro Vila Pires
Santo André
São Paulo
Cep 09110-001

Phone +55.11.4451.6226
Fax +55.11.4451.4369

Canada

Sartorius Canada Inc.
2179 Dunwin Drive #4
Mississauga, ON L5L 1X2

Phone +1.905.569.7977
Toll-Free +1.800.668.4234
Fax +1.905.569.7021

Mexico

Sartorius de México S.A. de C.V.
Circuito Circunvalación Poniente
No. 149
Ciudad Satélite
53100, Estado de México
México

Phone +52.5555.62.1102
Fax +52.5555.62.2942

Asia | Pacific

Australia

Sartorius Australia Pty. Ltd.
Unit 5, 7-11 Rodeo Drive
Dandenong South Vic 3175

Phone +61.3.8762.1800
Fax +61.3.8762.1828

China

Sartorius Scientific
Instruments (Beijing) Co., Ltd.
33 Yu An Road, Airport Industrial Park
Zone B,
Shunyi District, Beijing 101300,
P.R.China

Phone +86.10.8042.6300
Fax +86.10.8042.6486

Hong Kong

Sartorius Hong Kong Ltd.
Unit 1012, Lu Plaza
2 Wing Yip Street
Kwung Tong
Kowloon, Hong Kong

Phone +852.2774.2678
Fax +852.2766.3526

India

Sartorius Weighing India Pvt. Ltd.
#69/2-69/3, NH 48, Jakkasandra,
Nelamangala Tq
562 123 Bangalore, India

Phone +91.80.4350.5250
Fax +91.80.4350.5253

Japan

Sartorius Japan K.K.
4F Daiwa Shinagawa North Bldg.
8-11, Kita-Shinagawa 1-chome
Shinagawa-ku
Tokyo 140-0001

Phone +81.3.3740.5408
Fax +81.3.3740.5406

Malaysia

Sartorius Malaysia Sdn. Bhd
Lot L3-E-3B, Enterprise 4
Technology Park Malaysia
Bukit Jalil
57000 Kuala Lumpur, Malaysia

Phone +60.3.8996.0622
Fax +60.3.8996.0755

Singapore

Sartorius Singapore Pte. Ltd
1 Science Park Road,
The Capricorn, #05-08A,
Singapore Science Park II
Singapore 117528

Phone +65.6872.3966
Fax +65.6778.2494

South Korea

Sartorius Korea Ltd.
8th Floor, Solid Space B/D,
PanGyoYeok-Ro 220, BunDang-Gu
SeongNam-Si, GyeongGi-Do, 463-400

Phone +82.31.622.5700
Fax +82.31.622.5799

Thailand

Sartorius (Thailand) Co. Ltd.
129 Rama 9 Road,
Huaykwang
Bangkok 10310

Phone +66.2643.8361-6
Fax +66.2643.8367



◀ www.sartorius.com